

Model: HP4BTB

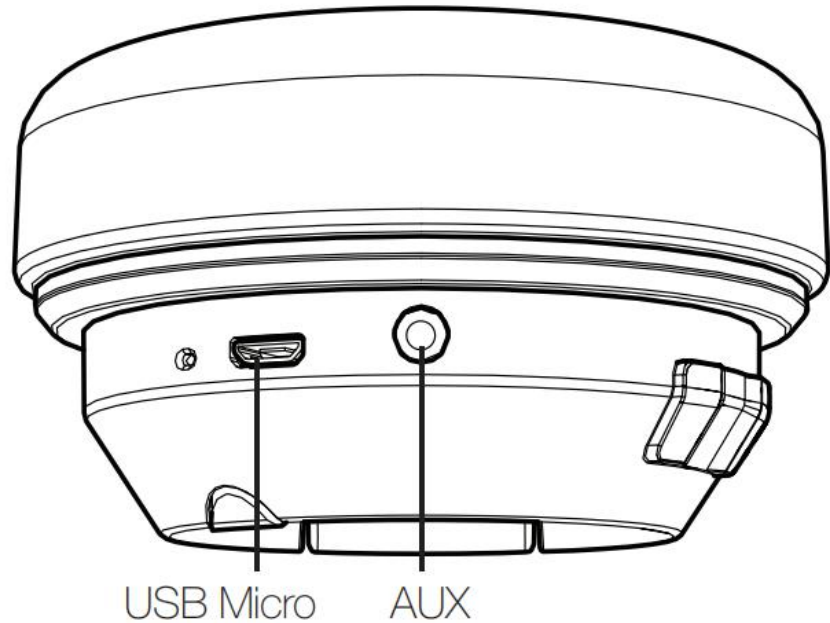
QUICK-START GUIDE | INICIO RÁPIDO | DÉMARRAGE RAPIDE

Connections | Conexiones | Connexions

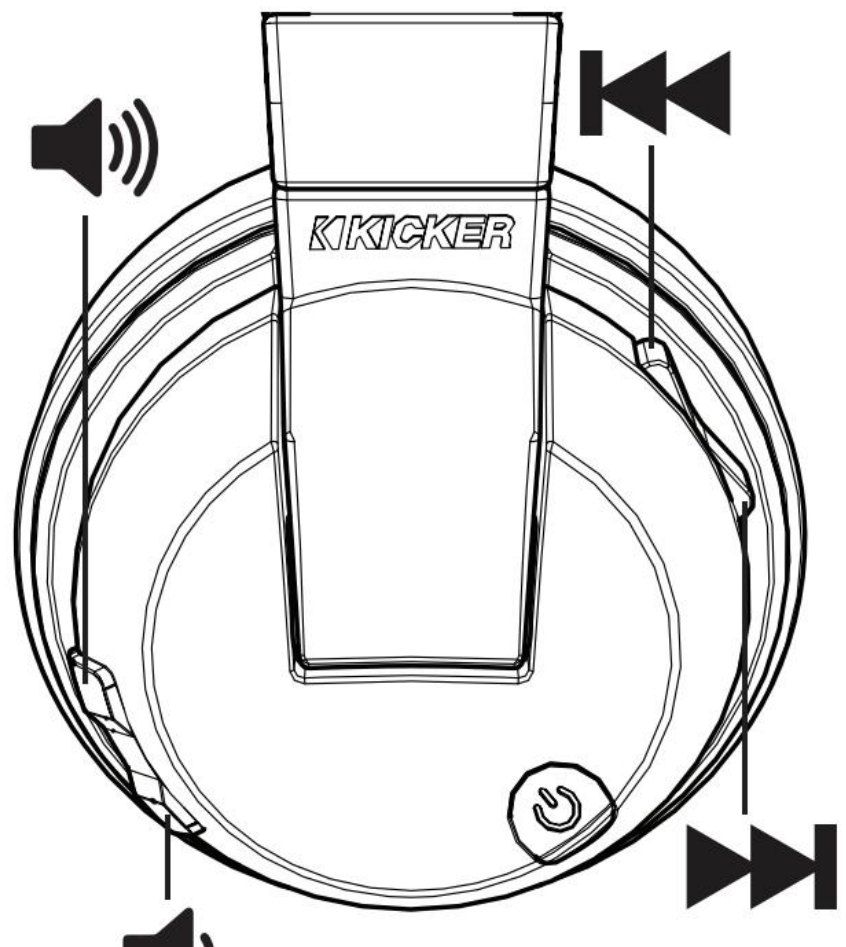
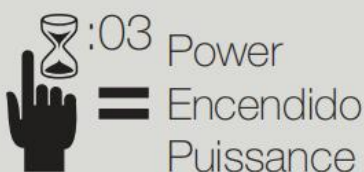
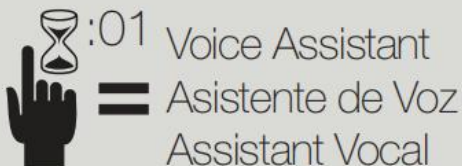
IMPORTANT: Fully charge before first use.

IMPORTANTE: Cargue completamente antes de usarlo por primera vez.

IMPORTANT : Chargez entièrement avant la première utilisation.



Controls | Controles | Contrôles



WARNING!

Keep out of reach of children. The content of this package includes small parts and cords that can cause choking or strangulation.

WARRANTY

KICKER products are warranted against defects. Duration and terms of warranty depend on the laws in the country in which it was purchased. For details see your local KICKER Dealer or www.kicker.com/warranty.

Our goods come with guarantees that cannot be excluded under the Australian Consumer Law. You are entitled to a replacement or refund for a major failure and for compensation for any other reasonably foreseeable loss or damage. You are also entitled to have the goods repaired or replaced if the goods fail to be of acceptable quality and the failure does not amount to a major failure.

Los productos KICKER se encuentran cubiertos contra defectos. La duración y los términos de la garantía dependen de las leyes del país donde fueron adquiridos. Para más información, consulte a su distribuidor local de KICKER o visite www.kicker.com/warranty.

Les produits KICKER sont garantis contre les défauts. La durée et les termes de la garantie dépendent des lois en vigueur dans le pays où l'achat a été effectué. Pour plus d'informations, veuillez contacter votre vendeur KICKER local ou vous rendre sur : www.kicker.com/warranty.

FCC STATEMENT FCC ID: RGR-HP4BTB

This equipment has been tested and found to comply with the limits for a Class B digital device, pursuant to Part 15 of the FCC Rules. These limits are designed to provide reasonable protection against harmful interference in a residential installation. This equipment generates uses and can radiate radio frequency energy and, if not installed and used in accordance with the instructions, may cause harmful interference to radio communications. However, there is no guarantee that interference will not occur in a particular installation. If this equipment does cause harmful interference to radio or television reception, which can be determined by turning the equipment off and on, the user is encouraged to try to correct the interference by one or more of the following measures: Reorient or relocate the receiving antenna. Increase the separation between the equipment and receiver. Connect the equipment into an outlet on a circuit different from that to which the receiver is connected. Consult the dealer or an experienced radio/TV technician for help.

FCC Caution: Changes or modifications not expressly approved by the party responsible for compliance could void the user's authority to operate this equipment. This device complies with Part 15 of the FCC Rules. Operation is subject to the following two conditions: (1) This device may not cause harmful interference, and (2) this device must accept any interference received, including interference that may cause undesired operation.

IC STATEMENT IC: 11078A-HP4BTB

This device contains licence-exempt transmitter(s)/receiver(s) that comply with Innovation, Science and Economic Development Canada's licence-exempt RSS(s). Operation is subject to the following two conditions:

- (1) This device may not cause interference.
- (2) This device must accept any interference, including interference that may cause undesired operation of the device.

L'émetteur/récepteur exempt de licence contenu dans le présent appareil est conforme aux CNR d'Innovation, Sciences et Développement économique Canada applicables aux appareils radio exempts de licence. L'exploitation est autorisée aux deux conditions suivantes :

- (1) L' appareil ne doit pas produire de brouillage;
- (2) L' appareil doit accepter tout brouillage radioélectrique subi, même si le brouillage est susceptible d' en compromettre le fonctionnement.