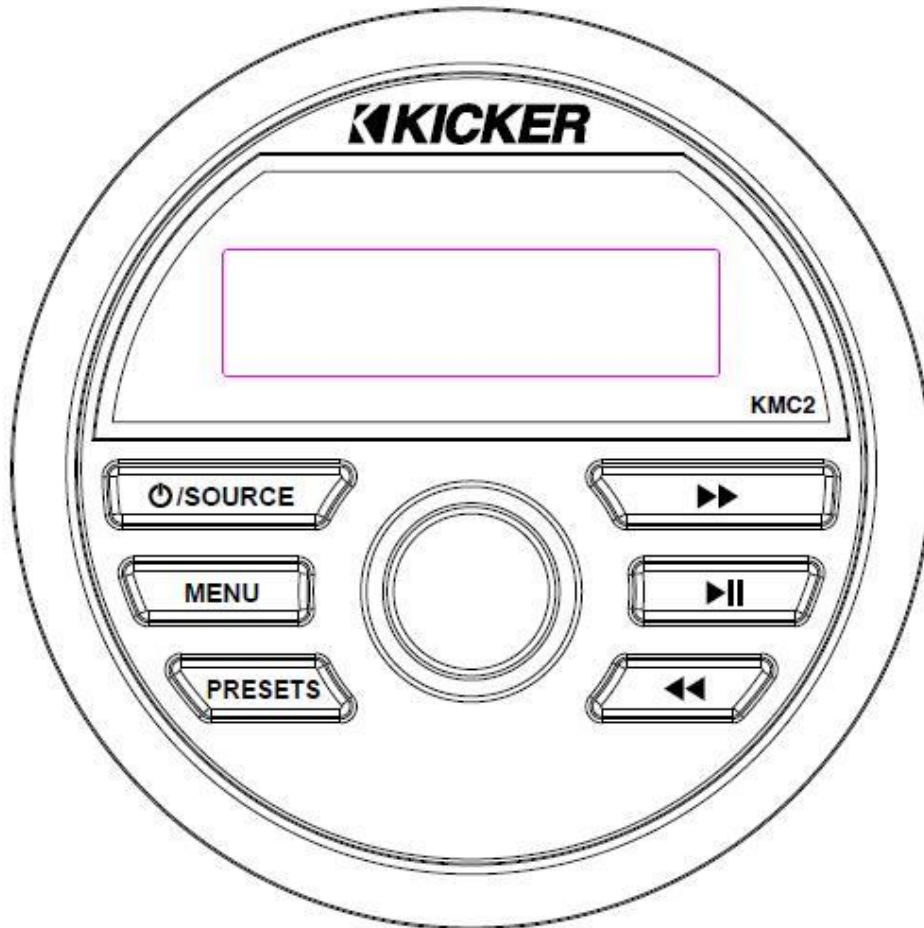


# Installation

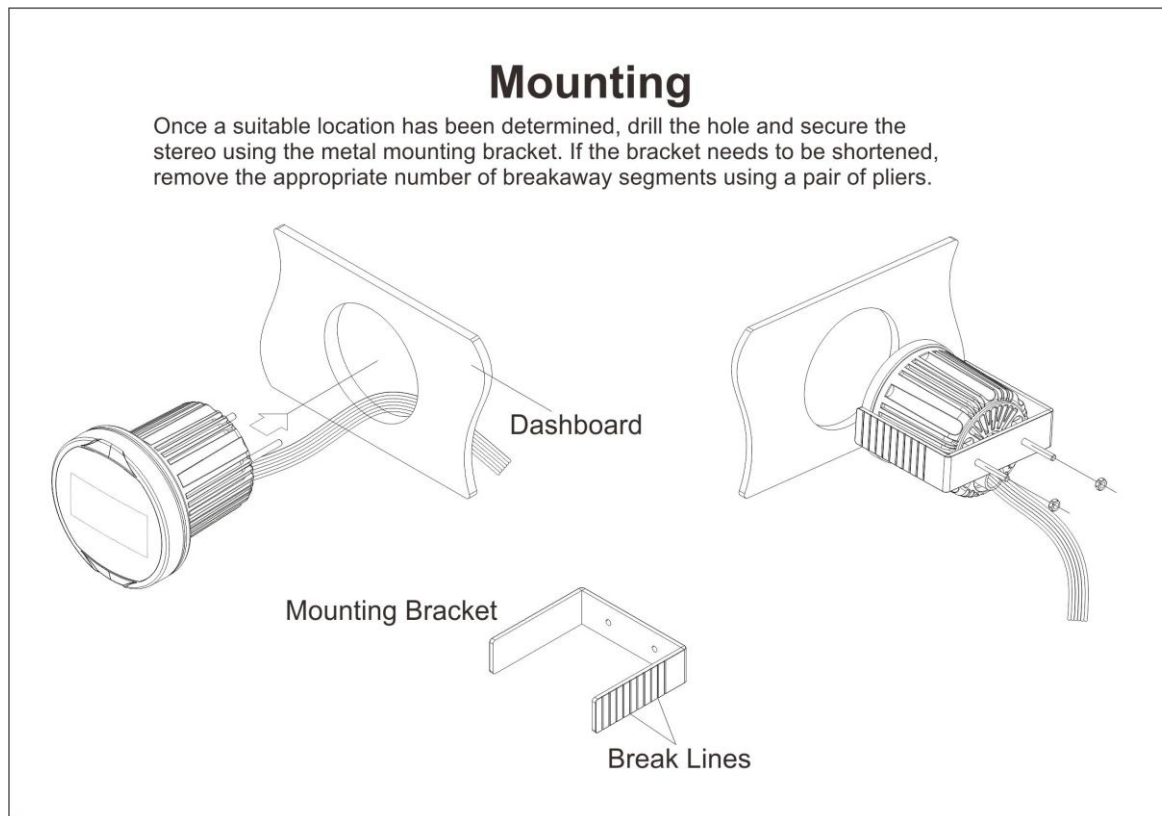
---



Please read the instruction carefully before operating the unit

# Installation

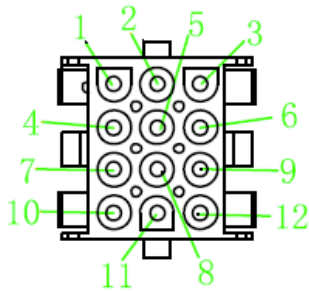
## ATTENTIONS OF INSTALLATION



1. This player should be installed by professional technician.
2. Please read the instruction and operation of equipment carefully before installing.
3. Make sure to connect other wires before power connection.
4. To avoid short circuit. Please make sure all the exposed wire are insulating.
5. Please fix all the wires after installation.
6. Please make connection to the player accordingly to this instruction manual. Wrong connection may cause damage.
7. This player only fit for 12V DC device and please make sure your car belongs to this kind of cathode grounding electrical system.
8. Please connect the wires rightly. Wrong connection will cause malfunction or damage the electrical system.

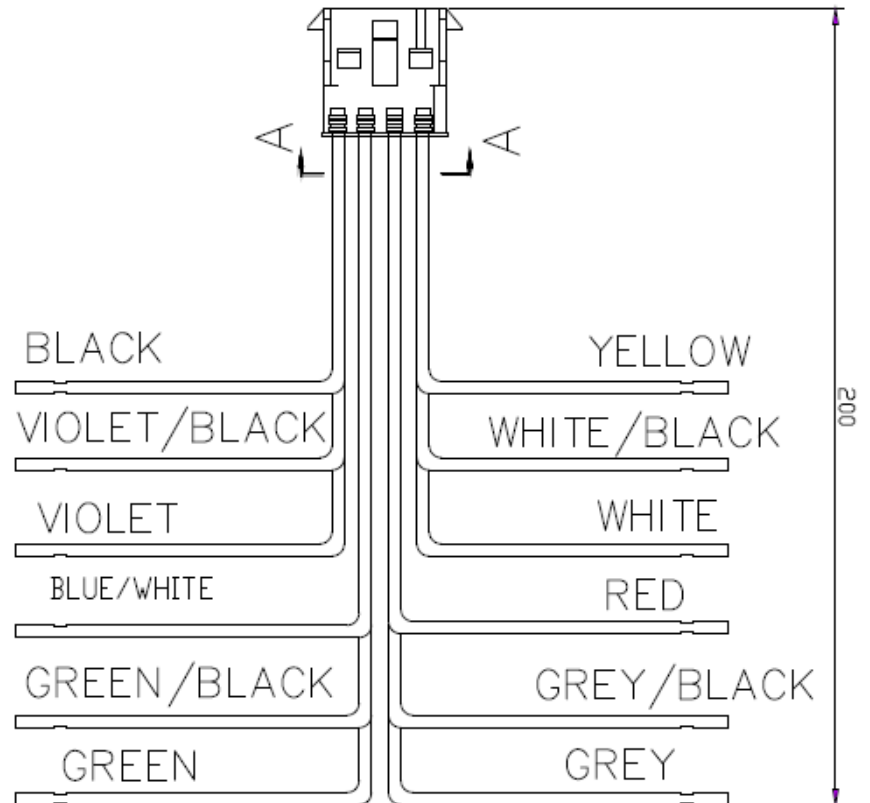
# Installation

## WIRING CONNECTION



VIEW A-A  
WIRE INSERTION VIEW

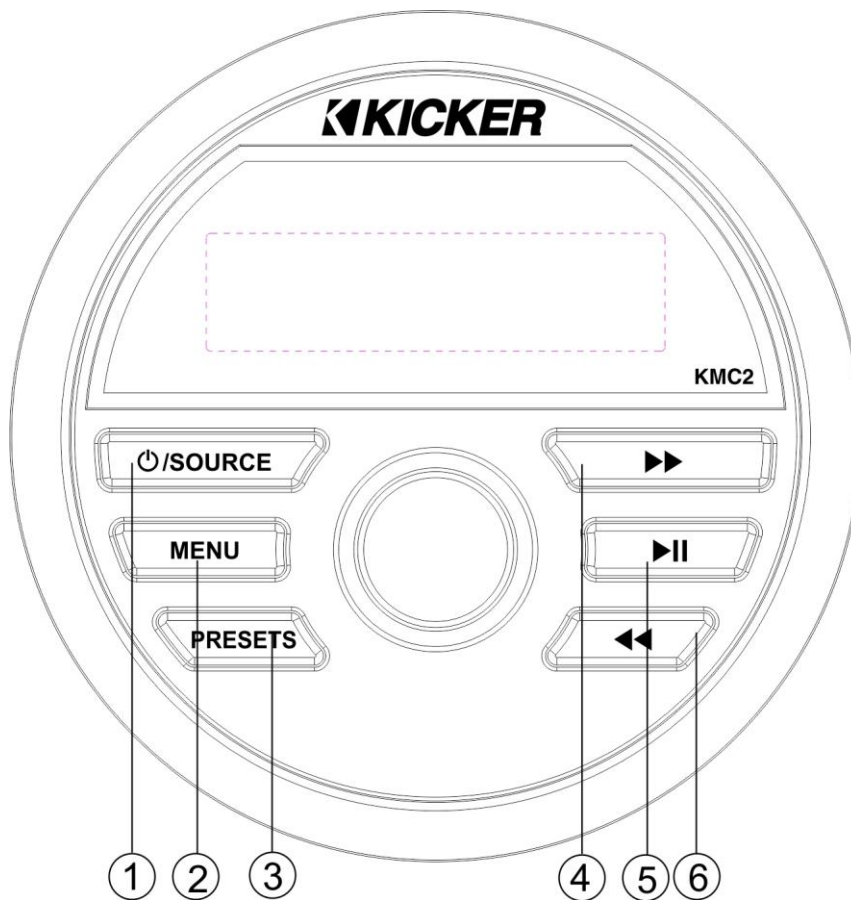
PIN NO.	WIRE COLOR	WIRE SPEC.	DESCRIPTION
1	YELLOW	16# AWG UL	BATTERY (+12V)
2	WHITE/BLACK	20# AWG	LEFT FRONT SPEAKER (-)
3	WHITE	20# AWG	LEFT FRONT SPEAKER (+)
4	RED	20# AWG	ACCESSORY (+12V)
5	GREY/BLACK	20# AWG	RIGHT FRONT SPEAKER (-)
6	GREY	20# AWG	RIGHT FRONT SPEAKER (+)
7	BLUE/WHITE	20# AWG	ANTENNA/REMOTE_OUT(+12V)
8	GREEN/BLACK	20# AWG	LEFT REAR SPEAKER (-)
9	GREEN	20# AWG	LEFT REAR SPEAKER (+)
10	BLACK	16# AWG UL	GROUND
11	VIOLET/BLACK	20# AWG	RIGHT REAR SPEAKER (-)
12	VIOLET	20# AWG	RIGHT REAR SPEAKER (+)



1. This player can only be used by the 12V DC cathode grounding electrical system.
2. Don't connect the terminals of the battery until the player is absolutely with well erection joint.
3. Please make sure to connect the yellow wire to the positive of the battery(+).
4. When change the fuse. Please make sure the specifications are same.
5. Using good quality speaker with 4-8 ohm can result in the best effect of the equipment.

# KEY FUNCTION

## LOCATION OF KEYS



- 1 POWER/SOURCE button
- 1. MENU button
- 2. PRESETS button

- 4 ►► Seek up button
- 5 PAUSE button
- 6. ◄◄ Seek down button

# KEY FUNCTION


Key functions table

Keys	Action	Radio	USB	AUX	BT	Standby
PWR /SRC	Short	Source change	Source change	Source change	Source change	Power on
	Long	Power off	Power off	Power off	Power off	Power on
PRE SET S	Short	Preset (+encoder)	File search (+encoder)	/	/	/
	Long	Manual save(+encoder)	RPT one/RPT all/RDM on/RDM off	Test mode (5 Seconds)	/	/
MENU	Short	BT (pair/conn)-BEEP (on/off)-LOUD(on/off)-AREA(USA/EUR)	BT (pair/conn)-BEEP (on/off)-LOUD(on/off)-AREA(USA/EUR)	BT (pair/conn)-BEEP(on/off)-LOUD(on/off)-AREA (USA/EUR)	BT (pair/conn)-BEEP(on/off)-LOUD(on/off)-AREA (USA/EUR)	/
	Long	BT (pair/conn)-BEEP (on/off)-LOUD(on/off)-AREA(USA/EUR)	BT (pair/conn)-BEEP (on/off)-LOUD(on/off)-AREA(USA/EUR)	BT (pair/conn)-BEEP(on/off)-LOUD(on/off)-AREA (USA/EUR)	BT (pair/conn)-BEEP(on/off)-LOUD(on/off)-AREA (USA/EUR)	/
<<	Short	Seek down	Previous file	/	Previous file	/
	Long	Manual turn down	RF	/	RF	/
>>	Short	Seek up	Next file	/	Next file	/
	Long	Manual turn up	FF	/	FF	/
>	Short	Mute on/off	Play/Pause	Mute on/off	Play/Pause	/
	Long	Reset (10 Sec)	Reset (10 Sec)	Reset (10 Sec)	Reset (10 Sec)	/
Encoder	Rotary	Volume up/down	Volume up/down	Volume up/down	Volume up/down	/
SEL	Short	BAS-TRE-BAL-FAD-EQ	BAS-TRE-BAL-FAD-EQ	BAS-TRE-BAL-FAD-EQ	BAS-TRE-BAL-FAD-EQ	/
	Long	BAS-TRE-BAL-FAD-EQ	BAS-TRE-BAL-FAD-EQ	BAS-TRE-BAL-FAD-EQ	BAS-TRE-BAL-FAD-EQ	/

# OPERATION

---

## Turn on/off the unit

Press  button to turn on the unit. When the unit is on. Press and hold it for 2 seconds to turn off the unit.

## Sound and setting adjustment

Shortly press **VOL** knob for the audio menu:

BAS-TRE-BAL-FAD-EQ

Shortly press **VOL** knob for the setting menu:

BT (pair/conn)-BEEP (on/off)-LOUD(on/off)-AREA(USA/EUR)

In each item rotate the **VOL** knob to set them.

**BT(pair/conn):** When paired with the mobile. Choosing “BT PAIR” then press VOL knob to dis- connect the Bluetooth and prepare to pair another mobile. In this moment, choosing “BT CONN” then press VOL knob to reconnect the Bluetooth.

**BEEP (on/off):** Turn on/off the beep sound.

**LOUD (on/off):** Turn on/off the loudness function.

**AREA (USA/EUR):** Choose America or Europe region frequency.

## Display the clock or information

Shortly press **CLK** button to show the clock or information.



## Reset the unit

Press and hold  button for 10 seconds to reset the unit.

**Note:** When **RESET** function is activated, all the memory will be lost.

## Radio Operation

### Receive a radio station

Press **SOURCE** button to select FM/AM mode. Shortly press  button to receive the desired radio station. Press and hold  button for manual tuning the frequency.

### Manually store station & recall preset station

Receiving a desired station. Press and hold the **PRESETS** button for 2 seconds. It shows “SAVE P1”. Rotating VOL knob to select P1~18 then press **VOL** button. The station will be saved.

### Listening to Saved Radio Memory



Shortly press the **PRESETS** button then rotating **VOL** knob to select the presets.

## USB Operation

When an USB driver inserted to the unit, the unit will play the MP3/WMA file automatically.

If an USB drive is already inserted in the unit. Keep pressing **SOURCE** button shortly until the USB mode display appears.

### Select file

Press  button to skip to next/previous file. Hold  button to fast forward or fast reverse.

# OPERATION

---

## Play/Pause

Press **▶||** button to pause/playing the file.

## Search song

Press **PRESETS** button to select song search mode. Rotating **VOL** knob to enter numbers. Press VOL knob to play.

## RPT(ONE/ALL)/RDM(ON/OFF)

When playing MP3/WMA, Press and hold **PRESETS** button for 2 seconds, It shows "RPT ONE". Rotating VOL knob to select RPT one/RPT all/RDM on/RDM off.

## AUX IN operation

Connecting the signal to the R/L IN connector behind the unit. Then pressing **SOURCE** button to switch to AUX mode.

## Bluetooth Operation

### Pairing

On mobile phone, select the Bluetooth item searching the Bluetooth device. "KMC KICKER" should appear in the list, select "KMC KICKER" and then input password "0000" if it needs a password. When successful paired, the BT mark will be solid (not flashing).

### Bluetooth Audio

Press **SOURCE** button to switch to BT mode. It will play a song of your mobile phone automatically. Press **▶||** key to pause/play the song. Press **▶▶/◀◀** button to select next/previous song.

**Other operation please reference the Key functions table above.**

IC Statement:

This device complies with Industry Canada's licence - exempt RSSs. Operation is subject to the following two conditions:

- (1) This device may not cause interference; and
- (2) This device must accept any interference, including interference that may cause undesired operation of the device.

Le présent appareil est conforme aux CNR d'Industrie Canada applicables aux appareils radio exempts de licence. L'exploitation est autorisée aux deux conditions suivantes : (1) l'appareil ne doit pas produire de brouillage, et (2) l'utilisateur de l'appareil doit accepter tout brouillage radioélectrique subi, même si le brouillage est susceptible d'en compromettre le fonctionnement.

FCC Statement:

This equipment has been tested and found to comply with the limits for a Class B digital device, pursuant to Part 15 of the FCC Rules. These limits are designed to provide reasonable protection against harmful interference in a residential installation. This equipment generates uses and can radiate radio frequency energy and, if not installed and used in accordance with the instructions, may cause harmful interference to radio communications. However, there is no guarantee that interference will not occur in a particular installation. If this equipment does cause harmful interference to radio or television reception, which can be determined by turning the equipment off and on, the user is encouraged to try to correct the interference by one or more of the following measures:

- Reorient or relocate the receiving antenna.
- Increase the separation between the equipment and receiver.
- Connect the equipment into an outlet on a circuit different from that to which the receiver is connected.
- Consult the dealer or an experienced radio/TV technician for help.

Caution: Any changes or modifications not expressly approved by the party responsible for compliance could void the user's authority to operate the equipment.

This equipment complies with FCC radiation exposure limits set forth for an uncontrolled environment. This transmitter must not be co-located or operating in conjunction with any other antenna or transmitter.

IC Radiation Exposure Statement:

This equipment complies with Canada radiation exposure limits set forth for uncontrolled environments. This transmitter must not be co-located or operating in conjunction with any other antenna or transmitter.

Déclaration d'IC sur l'exposition aux radiations:

Cet équipement est conforme aux limites d'exposition aux radiations définies par le Canada pour des environnements non contrôlés.

Cet émetteur ne doit pas être installé au même endroit ni utilisé avec une autre antenne ou un autre émetteur.