

KICHLER®

Kichler® Lighting
7711 East Pleasant Valley Road
P.O. Box 318010
Cleveland, Ohio 44131-8010

Customer Service
866.558.5706
8:30 AM to 5:00 PM EST,
Monday - Friday

Rana™

310155



Instruction Manual

KICHLER®

UL Model # 60-RECI

1. SAFETY RULES

1. To reduce the risk of electric shock, insure electricity has been turned off at the circuit breaker or fuse box before beginning.
2. All wiring must be in accordance with the National Electrical Code and local electrical codes. Electrical installation should be performed by a qualified licensed electrician.
3. **WARNING:** Suitable for use with solid-state speed controls.
4. **WARNING:** To reduce the risk of personal injury, use only the two steel screws (and lock washers) provided with the outlet box for mounting to the outlet box. Most outlet boxes commonly used for the support of lighting fixtures are not acceptable for fan support and may need to be replaced, consult a qualified electrician if in doubt.

WARNING
TO REDUCE THE RISK OF FIRE,
ELECTRIC SHOCK OR PERSONAL INJURY,
MOUNT FAN TO OUTLET BOX MARKED
“ACCEPTABLE FOR FAN SUPPORT”
5. The outlet box and support structure must be securely mounted and capable of reliably supporting a minimum of 50 pounds. Use only CUL Listed outlet boxes marked “FOR FAN SUPPORT”.
6. The fan must be mounted with a minimum of 7 feet clearance from the trailing edge of the blades to the floor.
7. Do not operate reversing switch while fan blades are in motion. Fan must be turned off and blades stopped before reversing blade direction.
8. Avoid placing objects in the path of the blades.
9. To avoid personal injury or damage to the fan and other items, be cautious when working around or cleaning the fan.
10. Do not use water or detergents when cleaning the fan or fan blades. A dry dust cloth or lightly dampened cloth will be suitable for most cleaning.
11. After marking electrical connections, spliced conductors should be turned upward and pushed carefully up into outlet box. The wires should be spread apart with the grounded conductor and the equipment-grounding conductor on one side of the outlet box.
12. Electrical diagrams are reference only. Light Kits that are not packed with the fan must be CUL Listed and marked suitable for use with the model fan you are installing. Switches must be CUL General Use Switches. Refer to the Instructions packaged with the light kits and switches for proper assembly.
13. Suitable for use in wet locations when installed in a GFCI protected branch circuit.
14. Use only with light kits marked “Suitable for use in wet locations”.

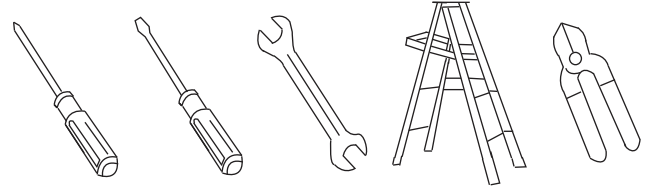
WARNING
TO REDUCE THE RISK OF PERSONAL
INJURY, DO NOT BEND THE BLADE
BRACKETS (ALSO REFERRED TO AS
FLANGES) DURING ASSEMBLY OR AFTER
INSTALLATION. DO NOT INSERT OBJECTS
IN THE PATH OF THE BLADES.

WARNING
Charges or modifications to this unit not
expressly approved by the party responsible
for compliance could void the user’s authority
to operate the equipment.

FCC: This device complies with part 15 of the FCC rules. Operation is subject to the following two conditions: (1) this device may not cause harmful interference, and (2) this device must accept any interference received, including interference that may cause undesired operation. Changes or modifications not expressly approved by the party responsible for compliance could void the user’s authority to operate the equipment.

2. TOOLS AND MATERIALS REQUIRED

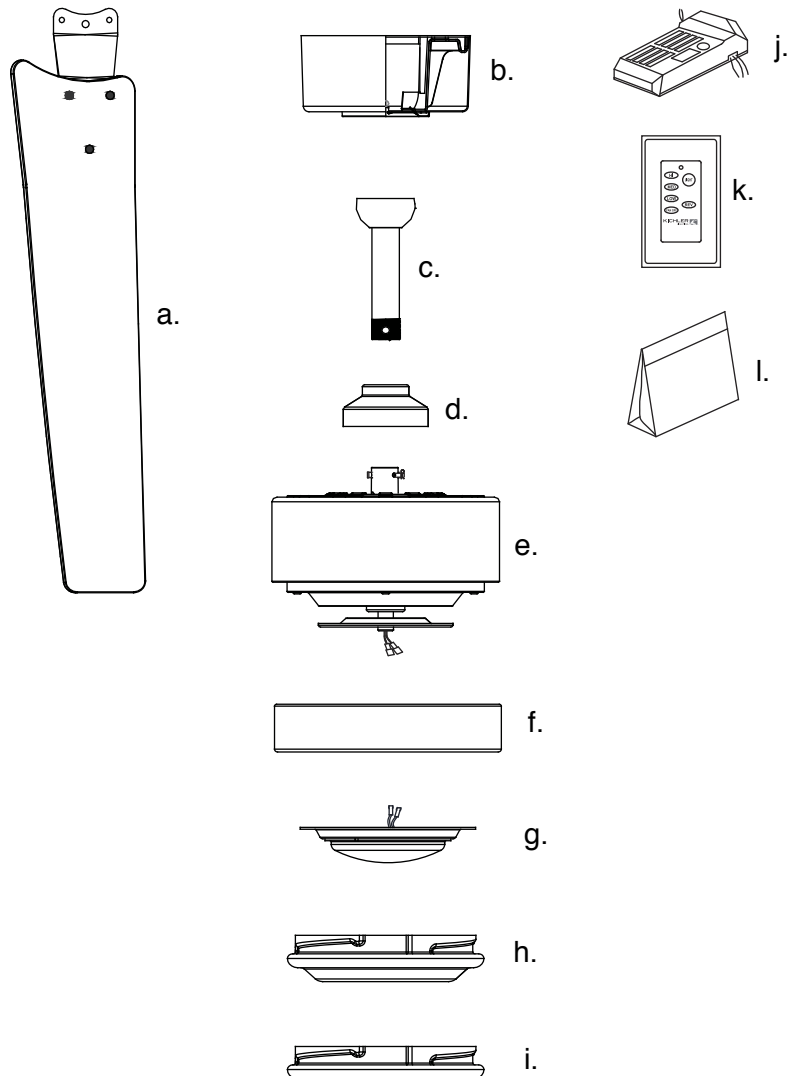
- Phillips screw driver
- Blade screw driver
- 11mm wrench
- Step ladder
- Wire cutters



3. PACKAGE CONTENTS

Unpack your fan and check the contents. You should have the following items:

- Fan blade/blade arm assemblies (3)
- Ceiling mounting bracket, Canopy and Canopy bottom cover
- Ball/downrod assembly
- Coupling cover
- Fan motor assembly
- Light kit pan
- Light kit fitter assembly
- Glass shade
- Extra non-light cap (for fan without light kit use)
- Receiver
- Wall transmitter
- Parts bag contents:
 - Mounting hardware:
 - Star washers (2), wire nuts (3), machine screws (2), washers (2), wood screws (2)
 - Blade attachment hardware screws (7)
 - Safety cable hardware:
 - wood screw, lock washer, flat washer



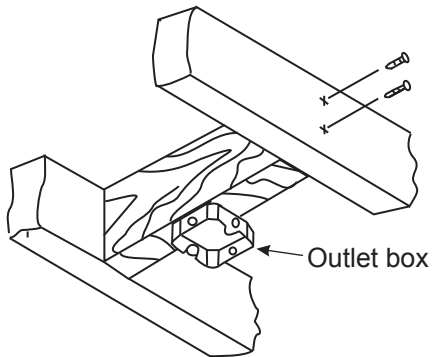


Fig. 1

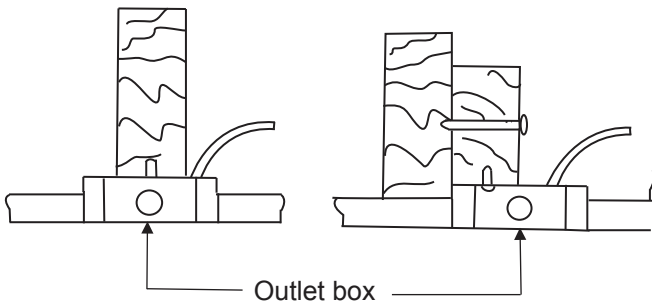


Fig. 2

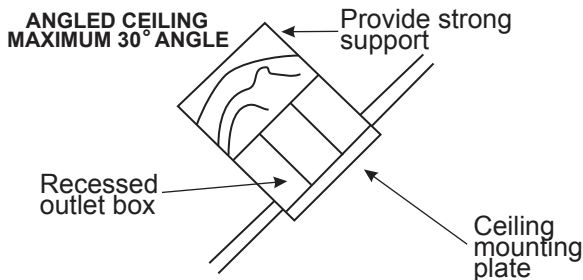


Fig. 3

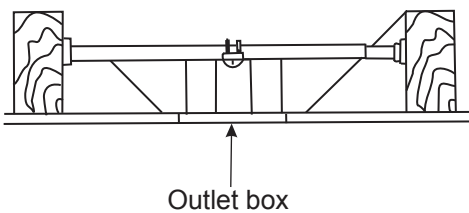


Fig. 4

4. MOUNTING OPTIONS

If there isn't an existing UL (cUL for Canadian Installation) listed mounting box, then read the following instructions. Disconnect the power by removing fuses or turning off circuit breakers.

Secure the outlet box directly to the building structure. Use appropriate fasteners and building materials. The outlet box and its support must be able to fully support the moving weight of the fan (at least 50 lbs). Do not use plastic outlet boxes.

Figures 1, 2, and 3 are examples of different ways to mount the outlet box.

NOTE: If you are installing the ceiling fan on a sloped (vaulted) ceiling, you may need a longer downrod to maintain proper clearance between the tip of the blade and the ceiling. A minimum clearance of 12" is suggested for optimal operation.

NOTE: Depending on the location you have selected for installation, you may need to purchase and install a "Joist Hanger" for the support of the outlet box. Make sure the joist hanger you purchase has been designed for use with ceiling fans. (Fig. 4)

5. HANGING THE FAN

REMEMBER to turn off the power before you begin.

To properly install your ceiling fan, follow the steps below.

Step 1. Remove the decorative canopy bottom cover from the canopy by turning the cover counterclockwise. (Fig.5)

Step 2. Remove the ceiling mounting bracket from the canopy by removing (and save) one of the two screws. Loosen the remaining screw by a half turn. (Fig.5)

Step 3. Pass the 120 volt supply wires from the ceiling outlet box through the center of the ceiling mounting bracket. (Fig. 6)

Step 4. Attach the ceiling mounting bracket to the outlet box using the screws and washers included with the outlet box. (Fig. 6)

Step 5. Remove and discard the three screws securing the plastic stabilizer on the bottom of motor housing. Remove and discard the plastic stabilizer. (Fig. 7)

Step 6. Remove the hanger ball from the downrod assembly by loosening the setscrew, removing the cross pin and turning the ball off the downrod. (Fig.8)

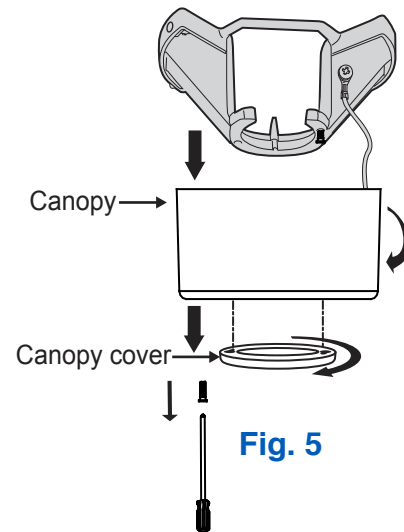


Fig. 5

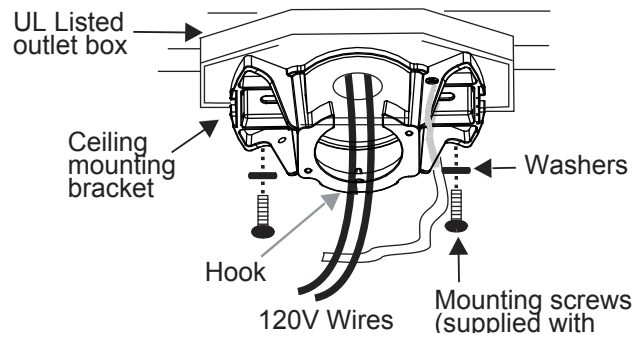


Fig. 6

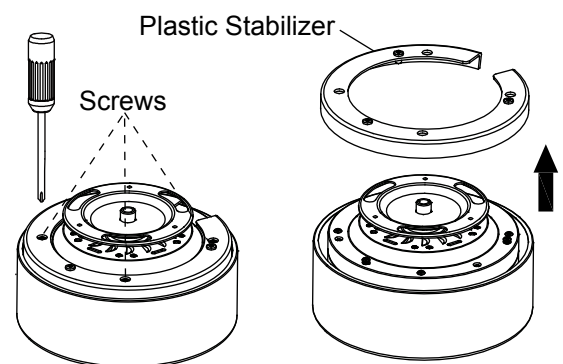


Fig. 7

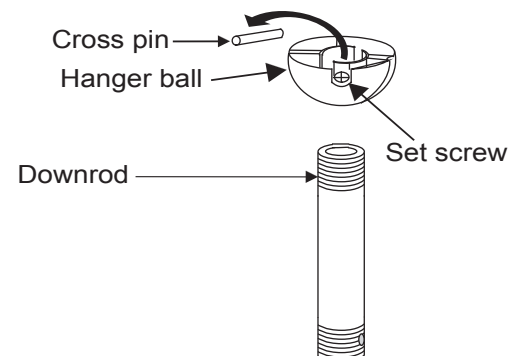


Fig. 8

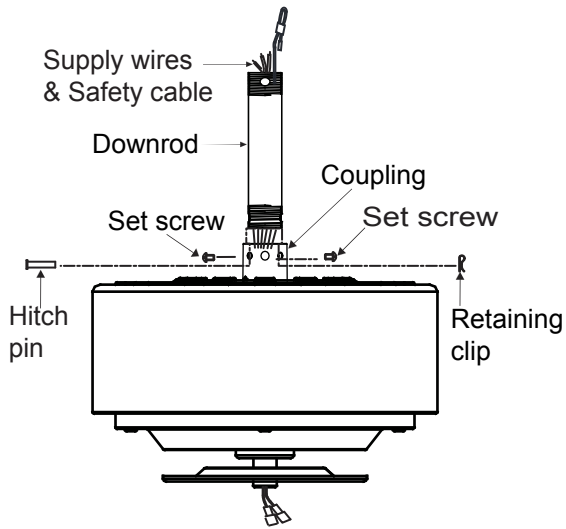


Fig. 9

Step 7. Loosen the two setscrews and remove the hitch pin and retaining clip from the coupling on top of the motor assembly. (Fig. 9)

Step 8. Carefully route the electrical supply wires and safety cable exiting the top of the fan motor assembly through the downrod. Thread the downrod into the coupling until the hitch pin holes are aligned. (Fig. 9)

Next, replace the hitch pin and retaining clip. Tighten both setscrews. (Fig. 9)

Step 9. Slip the coupling cover, canopy cover and canopy onto the downrod. (Fig. 10)

Thread the hanger ball onto the downrod, insert the cross pin through the downrod and tighten. Now tighten the set screw. (Fig. 10)

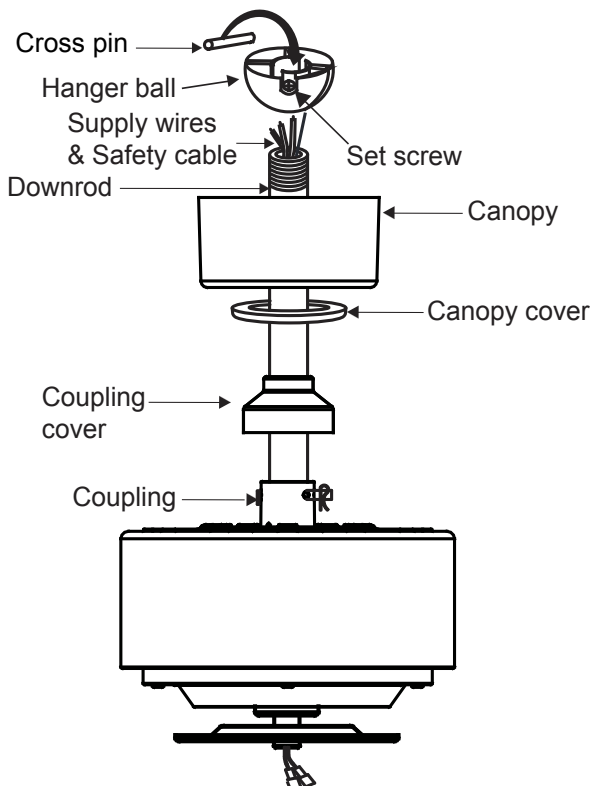


Fig. 10

Step 10. Lift the motor assembly into position and place the hanger ball into the ceiling mounting bracket.

Rotate the entire assembly until the “Check Tab” has dropped into the “Registration Slot” and seats firmly. (Fig. 11)

The entire motor assembly should not rotate (left or right) when seated properly.

WARNING: Failure to reattach the cross pin and seat the “Check Tab” can cause the fan to fall from the ceiling during operation. Take special care to make sure this pin is reattached.

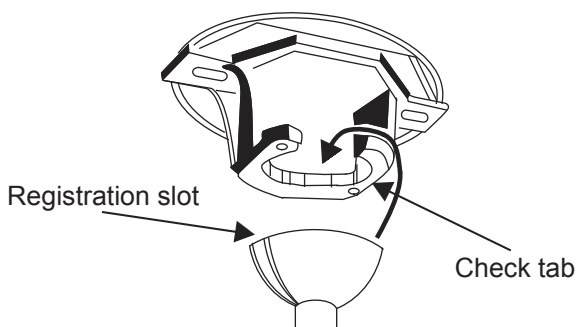


Fig. 11

6. INSTALLATION OF SAFETY SUPPORT (Required for Canadian installation ONLY)

A safety support cable is provided to help prevent the ceiling fan from falling, please install it as follows.

Step 1. Attach the provided wood screw and washers to the ceiling joist next to the mounting bracket but do not tighten. (Fig. 12)

Step 2. Adjust the length of the safety cable to reach the screw and washers by pulling the extra cable through the cable clamp until the overall length is correct, put the end of the cable back through the cable clamp, forming a loop at the end of the cable. Tighten the cable clamp securely. Now, put the loop in the end of the safety cable over the wood screw securely.

NOTE: Although the safety support cable is required for Canadian installations only. It's a good idea to make the attachment with any installation.

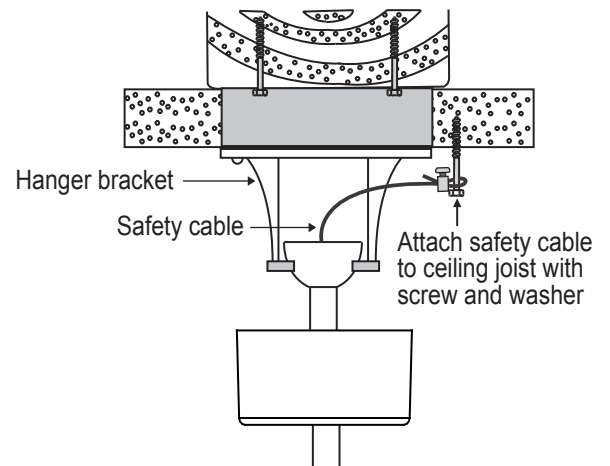


Fig. 12

7. ELECTRICAL CONNECTIONS

WARNING: To avoid possible electrical shock, be sure you have turned off the power at the main circuit panel.

NOTE: The frequencies on your receiver and wall transmitter have been preset at the factory. Before installing the receiver, make sure the dip switches on the receiver and wall transmitter are set to the same frequency. (Fig. 13)

Step 1. Insert the receiver into the ceiling mounting bracket with the flat side of the receiver facing the ceiling. (Fig. 14)

For best performance, make sure the Black antenna, on the end of the receiver, remains extended and not tangled with any of the electrical wires.

Step 2. Motor to Receiver Electrical connections: Connect the black wire from the fan to the black wire marked "TO MOTOR L" on the receiver. (Fig. 15)

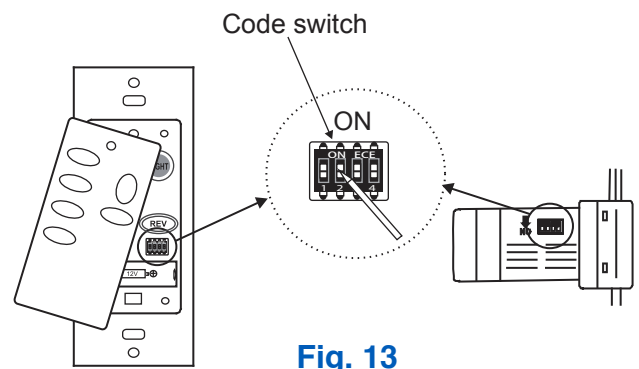


Fig. 13

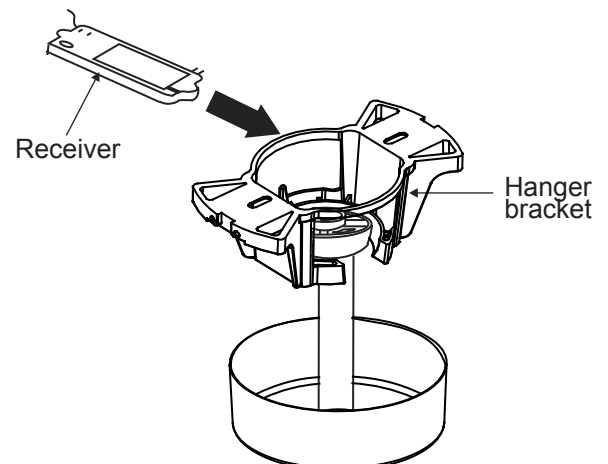


Fig. 14

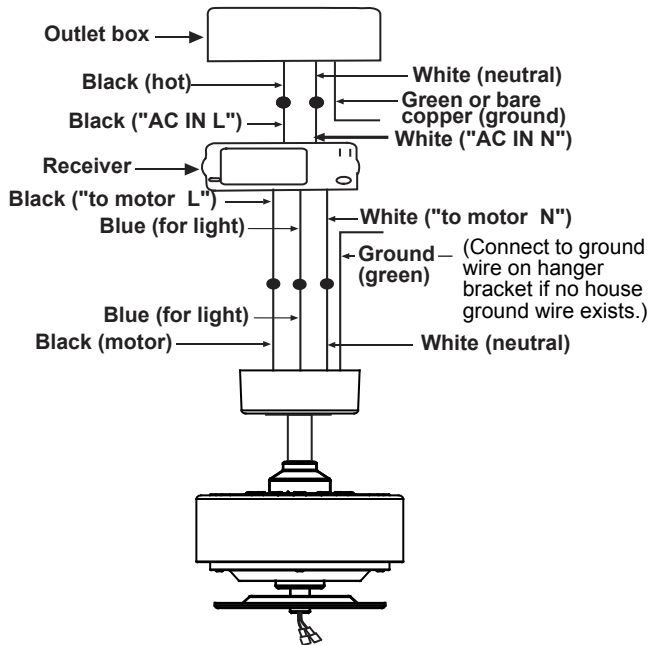


Fig. 15

Connect the white wire from the fan to the white wire marked "TO MOTOR N" from the receiver. Connect the blue wire from the fan to the blue wire marked "FOR LIGHT" from receiver. Secure all the wire connections with the plastic wire nuts provided.

Step 3. Receiver to House Supply Wires Electrical Connections: Connect the black (hot) wire from the ceiling to the black wire marked "AC IN L" from the receiver. Connect the white (neutral) wire from the ceiling to the white wire marked "AC in N" from the Receiver. Secure the wire connections with the plastic wire nuts provided. (Fig. 15)

Step 4. If your outlet box has a ground wire (green or bare copper) connect it to the fan ground wires; otherwise connect the hanging bracket ground wire to the mounting bracket. Secure the wire connection with a plastic nut provided. After connecting the wires, spread them apart so that the green and white wires are on one side of the outlet box and black and blue wires are on the other side. Carefully tuck the wire connections up into the outlet box. (Fig. 15)

NOTE: Fan must be installed at a maximum distance of 30 feet from the wall transmitter for optimal signal transmission between the transmitter and the fan's receiver unit.

8. FINISHING THE INSTALLATION

Step 1. Tuck all the connections neatly into the ceiling outlet box.

Step 2. Remove one screw from ceiling mounting bracket, and loosen but do not remove the other screw, slide the canopy up to the mounting bracket and place one of the key hole slots over the mounting screw on the mounting bracket. Rotate the canopy until the screw head locks in place at the narrow section of the key hole. (Fig. 16)

Step 3. Align the remaining circular hole on the canopy with the remaining hole on the Ceiling Mounting Bracket. Insert and tighten the mounting screw from step 2 above. Now, attach the canopy cover to the mounting screw head by inserting the screw heads into the bottom side of the canopy cover and rotating the cover clockwise.

NOTE: Adjust the canopy screws as necessary until the canopy and canopy cover are snug. (Fig. 16)

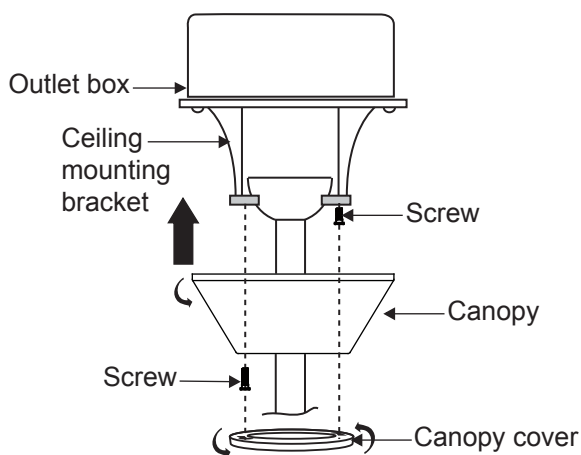


Fig. 16

9. ATTACHING THE FAN BLADE/ BLADE ARM ASSEMBLIES

Attach each blade assembly to the motor by using two mounting screws for each blade assembly. (Fig. 17)

NOTE: Make sure these mounting screws are securely tightened.

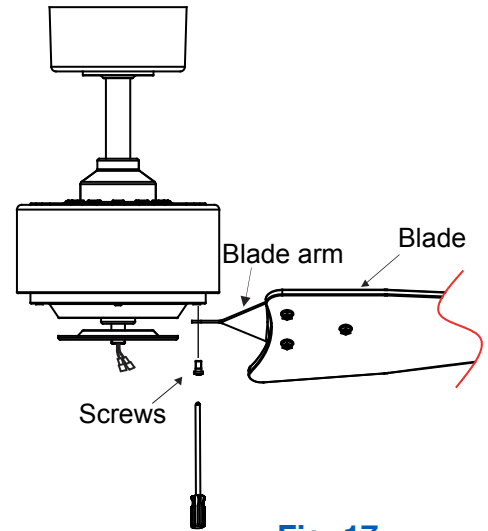


Fig. 17

10. INSTALLING THE LIGHT KIT PAN

Step 1. Remove one screw from the black bracket below fan motor assembly and loosen but do not remove the other two screws. (Fig. 18)

Step 2. Push the light kit pan up to the fan motor assembly so that the two loosened screw heads fit into the keyholes slots. Turn the light kit pan clockwise. (Fig. 19)

Step 3. Re-install the screw that was removed in step 1. (Fig. 19)

NOTE: Make sure these mounting screws are securely tightened.

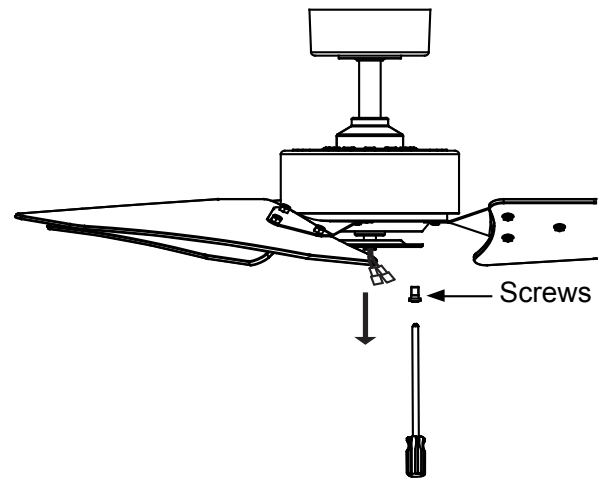


Fig. 18

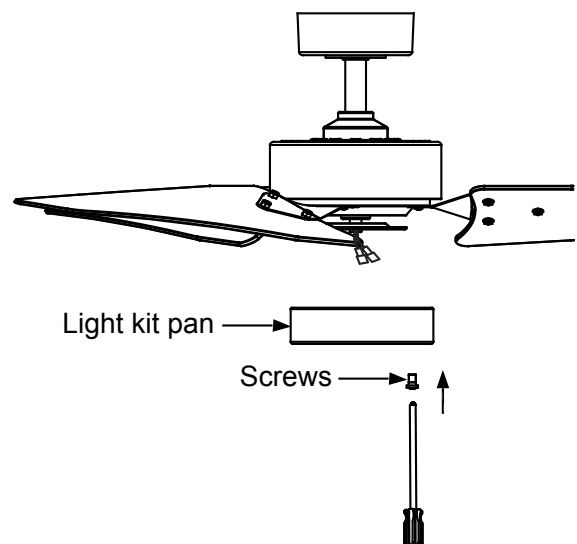


Fig. 19

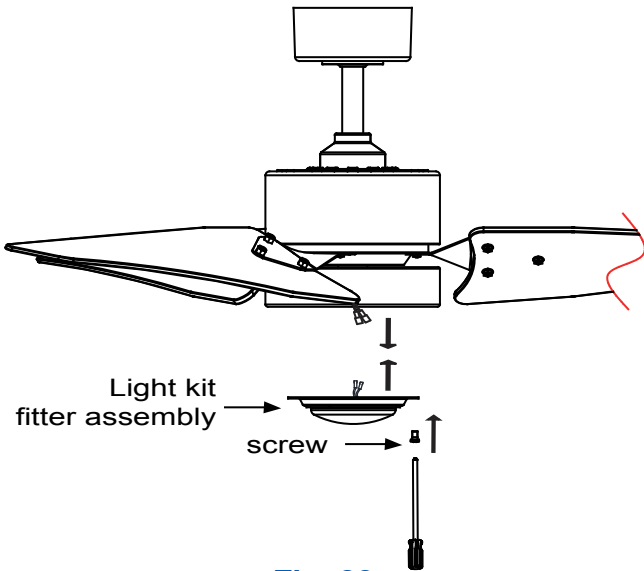


Fig. 20

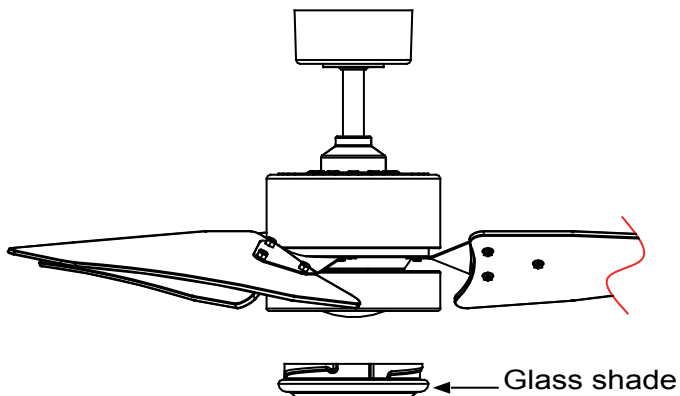


Fig. 21

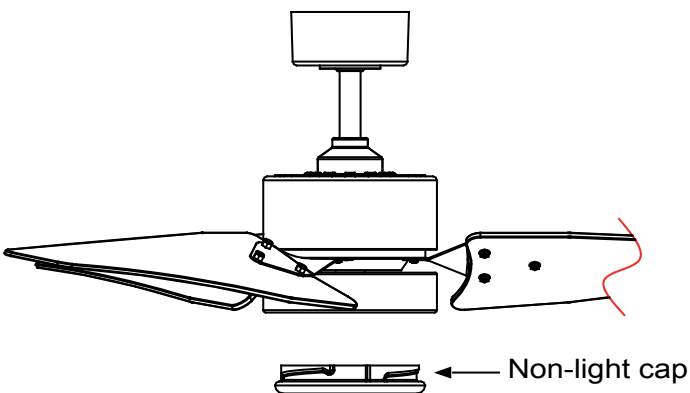


Fig. 22

11. INSTALLING THE LIGHT KIT FITTER ASSEMBLY

Step 1. Remove one screw from the light kit pan, and loosen, but do not remove the other two screws. (Fig. 20)

Step 2. Connect the blue wire exiting the bottom of fan motor assembly with the black wire from the top of the light kit fitter assembly. (Fig. 20)

Step 3. Connect the white wire exiting the bottom of fan motor assembly with the white wire from the top of the light kit fitter assembly. (Fig. 20)

Step 4. Push the light kit fitter assembly up to the light kit pan so that the two loosened screw heads fit into the keyholes slots. Turn the light kit fitter assembly clockwise to secure. (Fig. 20)

Step 5. Re-install the screw that was removed in step 1. (Fig. 20)

NOTE: Make sure the mounting screws are securely tightened.

12. INSTALLING THE SHADE

Place the glass shade into the light kit pan, aligning the three flat areas on the top flange of the shade with the three raised dimples in the light kit pan. Turn the shade clockwise until it stops. (Fig. 21)

NOTE: Do not overtighten when installing the shade into the light kit. Allow the shade to cool completely before removing.

If you install your fan without the light kit, do not install the light kit fitter assembly and follow step below.

Place the non-light cap into the light kit pan, aligning the three flat areas on the top flange of the non-light cap with the three raised dimples in the light kit pan. Turn the non-light shade clockwise until it stops. (Fig.22)

13. INSTALLING THE BATTERIES

Remove the face plate of the Wall Switch by lifting at the top and then inserting the supplied 12V battery. Duracell MN21/Eveready A23/ GP 23A all 12V.

Replace the switch face plate.

To prevent possible damage to the transmitter, remove these batteries if not used for long periods of time (months).

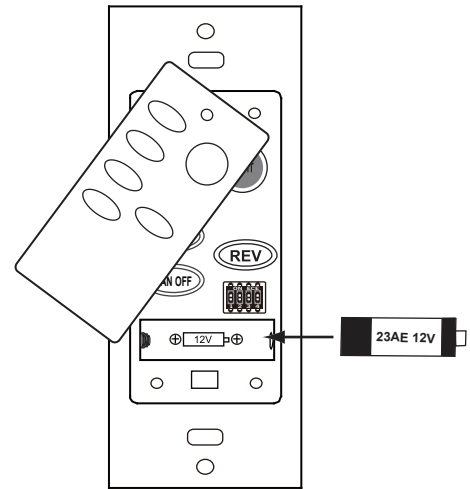


Fig. 23

14. OPERATING INSTRUCTIONS

HI Button	=	High Speed
MED Button	=	Medium Speed
LOW Button	=	Low Speed
FAN OFF Button	=	Motor Off
LIGHT Button	=	Light ON or OFF
REV Button	=	The "REV" button is used to set the fan forward or reverse, press the button forward (for warm weather) or reverse (for cool weather).

Speed settings for warm or cool weather depend on factors such as the room size, ceiling height, number of fans and so on.

NOTE: To operate the reverse function on this fan, press the reverse button while the fan is running.

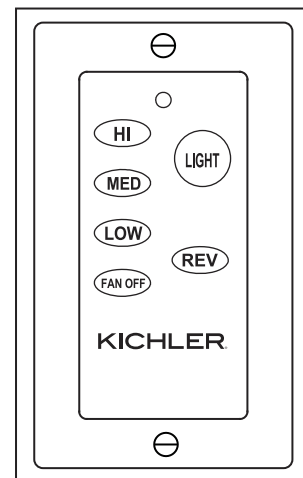


Fig. 24

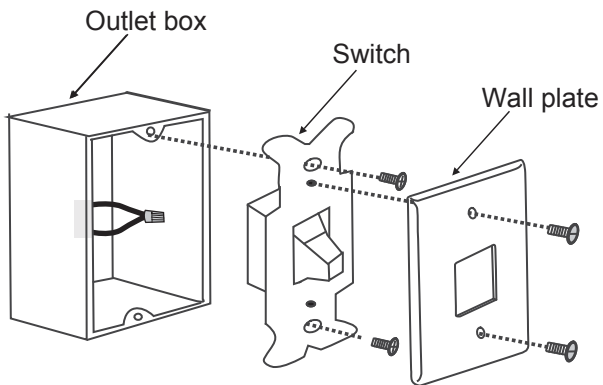


Fig. 25

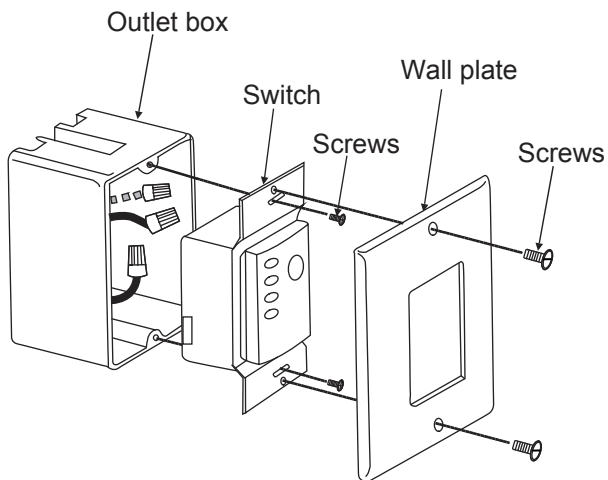


Fig. 26

15. INSTALLING THE BASIC FUNCTION WALL CONTROL SYSTEM WALL PLATE

Select a location to install the Basic Function Wall Control System Transmitter and Wall Plate.

REMEMBER you can safely use the transmitter outdoors but it should be mounted indoors away from contact with water or humidity.

Install the wall plate using an existing wall switch outlet box. Make sure the electrical power is **TURNT OFF** at the main panel before continuing.

Step 1. Remove the existing wall plate and the old switch from the wall outlet box. Wire nut the **BLACK** leads (hot) together and push back inside the outlet box. (Fig. 25)

Step 2. Install the wall plate on the existing wall outlet box using the screws provided. (Fig. 26)

After installing the wall anchors, attach the wall plate with the mounting screws to finish the installation.

16. OPERATING INSTRUCTIONS

The Black Slide Switch on the side of the switch housing controls the direction of the blades "Forward and Reverse".

Warm weather - Forward (counter clockwise).
A downward airflow creates a cooling effect as shown in Fig. 27. This allows you to set your air conditioner to warm setting without affecting your comfort.

Cool weather - Reverse (clockwise).
An upward airflow moves warm air off the ceiling area as shown in Fig. 28. This allows you to set your heating unit on a cooler setting without affecting your comfort.

NOTE: To change the direction of rotation for the fan blades, locate the reverse switch located on the top of the motor housing.

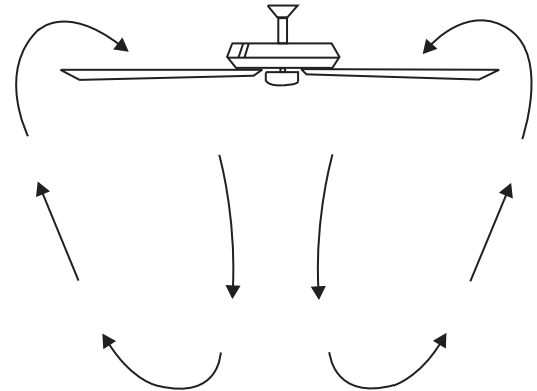


Fig. 27

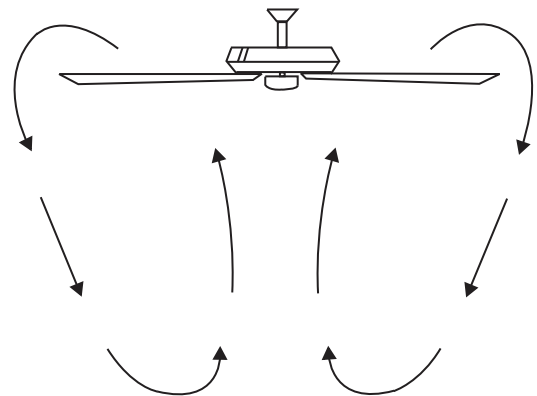


Fig. 28

17. TROUBLESHOOTING

Problem	Solution
Fan will not start.	<ol style="list-style-type: none"> 1. Check circuit fuses or breakers. 2. Check all electrical connections to insure proper contact. CAUTION: Make sure the main power is OFF when checking any electrical connection. 3. Make sure the transmitter batteries are installed properly. Positive (+) side facing out. 4. Insure the batteries have a good charge.
Fan sounds noisy.	<ol style="list-style-type: none"> 1. Make sure all motor housing screws are snug. 2. Make sure the screws that attach the fan blade brackets to the motor are tight. 3. Make sure wire nut connections are not rubbing against each other or the interior wall of the switch housing. CAUTION: Make sure main power is off. 4. Allow a 24-hour “breaking-in period. Most noise associated with a new fan disappears during this time. 5. If using an optional light kit, make sure the screws securing the glassware are tight. Make sure the light bulbs are not touching any other component. 6. Do not connect this fan to wall mounted variable speed control(s). They are not compatible with ceiling fan motors or remote controls. 7. Make sure the upper canopy is a short distance from the ceiling. It should not touch the ceiling.
Fan wobbles.	<ol style="list-style-type: none"> 1. Check that all blade and blade arm screws are secure. 2. Most fan wobbling problems are caused when blade levels are unequal. Check this level by selecting a point on the ceiling above the tip of one of the blades. Measure this distance. Rotate the fan until the next blade is positioned for measurement. Repeat for each blade. The distance deviation should be equal within 1/8”. 3. Use the enclosed Blade Balancing Kit if the blade wobble is still noticeable. 4. If the blade wobble is still noticeable, interchanging two adjacent (side by side) blades can redistribute the weight and possibly result in smoother operation.
Remote control malfunction.	<ol style="list-style-type: none"> 1. Ceiling fans with remote control systems CAN NOT be operated in conjunction with any other control system EXCEPT a basic On/Off wall switch, if desired. 2. Make sure the frequency dip switches in the transmitter and receiver have identical settings. 3. Make sure the Black Antenna on the receiver is NOT tangled with any other electrical wires and is extended around the inside of the ceiling canopy.

18. SPECIFICATIONS

Fan size	Speed	Volts	Amps	Watts	RPM	CFM	CFM/W	N.W.	G.W.	C.F.
60”	High	120	0.59	70.5	200	9006	128	XX.XX kgs	XX.XX kgs	2.43’
	Medium		0.42	36.5	135	6293	173			
	Low		0.28	16.0	80	3948	246			

These are approximate measurements. They do not include data for any lamps or fixtures attached to the ceiling fan.

This device complies with Part 15 of the FCC rules. Operation is subject to the following two conditions: 1) this device may not cause harmful interference, and 2) this device must accept any interference received, including interference that may cause undesired operation.

Note: This equipment has been tested and found to comply with the limits for a Class B digital device, pursuant to part 15 of the FCC Rules. These limits are designed to provide reasonable protection against harmful interference in a residential installation. This equipment generates, uses and can radiate radio frequency energy and, if not installed and used in accordance with the instructions, may cause harmful interference to radio communications. However, there is no guarantee that interference will not occur in a particular installation. If this equipment does cause harmful interference to radio or television reception, which can be determined by turning the equipment off and on, the user is encouraged to try to correct the interference by one or more of the following measures:

- Reorient or relocate the receiving antenna.
- Increase the separation between the equipment and receiver.
- Connect the equipment into an outlet on a circuit different from that to which the receiver is connected.
- Consult the dealer or an experienced radio/TV technician for help.

Changes or modifications not expressly approved by the party responsible for compliance could void the user's authority to operate the equipment.