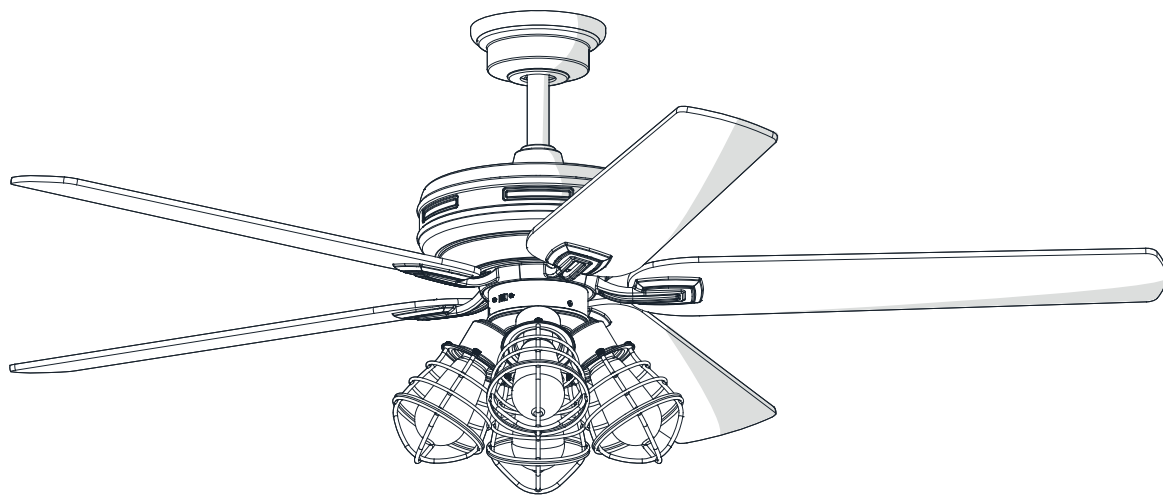


HOME
DECORATORS
COLLECTION

Item #xxxx xxx xxx
Model #51760
UL Model #60-CARL

USE AND CARE GUIDE

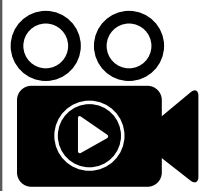
CARLISLE 60-INCH CEILING FAN



Questions, problems, missing parts? Before returning to the store,
call Home Decorators Collection Customer Service
8 a.m. - 7 p.m., EST, Monday-Friday, 9 a.m. - 6 p.m., EST, Saturday.

1-800-986-3460

HOMEDEPOT.COM/HOMEDECORATORS



To view an instructional video on how to install this product:

1. Go to www.homedepot.com and enter either the Item or Model number, found in the top right corner of the cover of this instruction manual, in the search field.
2. Click on your product from the list of search results and click on the video link in the "Product Overview" section.

THANK YOU

We appreciate the trust and confidence you have placed in Home Decorators Collection through the purchase of this ceiling fan. We strive to continually create quality products designed to enhance your home. Visit us online to see our full line of products available for your home improvement needs. Thank you for choosing Home Decorators Collection!

Table of Contents

Table of Contents	2	Assembly	7
Safety Information	2	Operation	13
Warranty	3	Care and Cleaning	14
Pre-Installation	3	Troubleshooting	14
Installation	6		

Safety Information

READ AND SAVE THESE INSTRUCTIONS.

1. To reduce the risk of electric shock, ensure the electricity has been turned off at the circuit breaker or fuse box before you begin.
2. All wiring must be in accordance with the National Electrical Code ANSI/NFPA 70 and local electrical codes. Electrical installation should be performed by a qualified licensed electrician.
3. The outlet box and support structure must be securely mounted and capable of reliably supporting 35 lbs. (15.9 kg). Use only UL Listed outlet boxes marked "Acceptable for Fan Support of 35 lbs. (15.9 kg) or less".
4. The fan must be mounted with a minimum of 7 ft (2.1 m) clearance from the trailing edge of the blades to the floor.
5. Do not operate the reversing switch while the fan blades are in motion. You must turn the fan off and stop the blades before you reverse the blade direction.
6. Do not place objects in the path of the blades.
7. To avoid personal injury or damage to the fan and other items, use caution when working around or cleaning the fan.
8. Electrical diagrams are for reference only. Light kits that are not packed with the fan must be UL-listed and marked suitable for use with the model fan you are installing. Switches must be UL General Use Switches. Refer to the instructions packaged with the light kits and switches for proper assembly.
9. After making electrical connections, spliced conductors should be turned upward and pushed carefully up into the outlet box. The wires should be spread apart with the grounded conductor and the equipment-grounding conductor on one side of the outlet box.
10. All setscrews must be checked and retightened where necessary before installation.



WARNING: To reduce the risk of personal injury, do not bend the blade brackets (also referred to as flanges) during assembly or after installation. Do not insert objects in the path of the blades.



WARNING: To reduce the risk of fire or electric shock, do not use this fan with any solid-state speed control device.



WARNING: To avoid possible electrical shock, turn the electricity off at the main fuse box before wiring. If you feel you do not have enough electrical wiring knowledge or experience, contact a licensed electrician.



WARNING: Electrical diagrams are for reference only. Optional use of any light kit shall be UL-listed and marked suitable for use with this fan.



WARNING: To reduce the risk of fire or electric shock, "this fan should only be used with fan speed control part no. MR140A manufactured by Satellite Industrial Co., LTD"



WARNING: To reduce the risk of electric shock, this fan must be installed with an isolating wall switch.



CAUTION: To reduce the risk of personal injury, use only the screws provided with the outlet box.



CAUTION: Changes or modifications not expressly approved by the party responsible for compliance could void the user's authority to operate the equipment.



CAUTION: Do NOT use this fan with a dimmer switch or wall control. Using a dimmer switch or wall control will damage the fan.

This equipment has been tested and found to comply with the limits for a Class B digital device, pursuant to Part 15 of the FCC Rules. These limits are designed to provide reasonable protection against harmful interference in a residential installation. This equipment generates, uses and can radiate radio frequency energy and, if not installed and used in accordance with the instructions, may cause harmful interference to radio communications. However, there is no guarantee that interference will not occur in a particular installation. If this equipment does cause harmful interference to radio or television reception, which can be determined by turning the equipment off and on, the user is encouraged to try to correct the interference by one or more of the following measures:

- Reorient or relocate the receiving antenna.
- Increase the separation between the equipment and receiver.
- Connect the equipment into an outlet on a circuit different from that to which the receiver is connected.
- Consult the dealer or an experienced radio/TV technician for help.

CAUTION:

Any changes or modifications not expressly approved by the grantee of this device could void the user's authority to operate the equipment.

This device complies with Part 15 of the FCC Rules. Operation is subject to the following two conditions: (1) This device may not cause harmful interference, and (2) this device must accept any interference received, including interference that may cause undesired operation.

Warranty

The supplier warrants the fan motor to be free from defects in workmanship and material present at time of shipment from the factory for a lifetime after the date of purchase by the original purchaser. The supplier also warrants that all other fan parts, excluding any glass or acrylic blades, to be free from defects in workmanship and material at the time of shipment from the factory for a period of two years after the date of purchase by the original purchaser. We agree to correct such defects without charge or at our option replace with a comparable or superior model if the product is returned. To obtain warranty service, you must present a copy of the receipt as proof of purchase. All costs of removing and reinstalling the product are your responsibility. Damage to any part such as by accident, misuse, improper installation, or by affixing any accessories, is not covered by this warranty. Because of varying climatic conditions this warranty does not cover any changes in brass finish, including rusting, pitting, corroding, tarnishing, or peeling. Brass finishes of this type give their longest useful life when protected from varying weather conditions. A certain amount of "wobble" is normal and should not be considered a defect. Servicing performed by unauthorized persons shall render the warranty invalid. There is no other express warranty. Home Decorators Collection hereby disclaims any and all warranties, including but not limited to those of merchantability and fitness for a particular purpose to the extent permitted by law. The duration of any implied warranty which cannot be disclaimed is limited to the time period as specified in the express warranty. Some states do not allow a limitation on how long an implied warranty lasts, so the above limitation may not apply to you. The retailer shall not be liable for incidental, consequential, or special damages arising out of or in connection with product use or performance except as may otherwise be accorded by law. Some states do not allow the exclusion of incidental or consequential damages, so the above exclusion or limitation may not apply to you. This warranty gives specific legal rights, and you may also have other rights which vary from state to state. This warranty supersedes all prior warranties. Shipping costs for any return of product as part of a claim on the warranty must be paid by the customer.

Contact the Customer Service Team at 1-800-986-3460 or visit www.HomeDepot.com/homedecorators.

Pre-Installation

SPECIFICATIONS

Size	Speed	Volts	Amps	Watts	RPM	CFM	Net Weight	Gross Weight	Cube Feet
60 in.	Low	120	0.27	16	50	2277	25.79 lbs. (11.7 kg)	29.54 lbs. (13.4 kg)	2.57 cu.ft.
	Medium		0.40	34	80	3674			
	High		0.58	70	130	5460			



NOTE: These are approximate measures. They do not include the Amps and Wattage used by the light kit.

TOOLS REQUIRED



⊕
Phillips
screwdriver



⊖
Flat blade
screwdriver



Adjustable
wrench



Electrical
tape



Wire
cutter



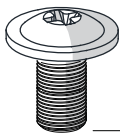
Step ladder

Pre-Installation (continued)

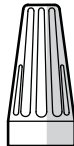
HARDWARE INCLUDED



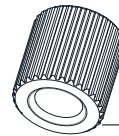
NOTE: Hardware not shown to actual size.



AA



BB



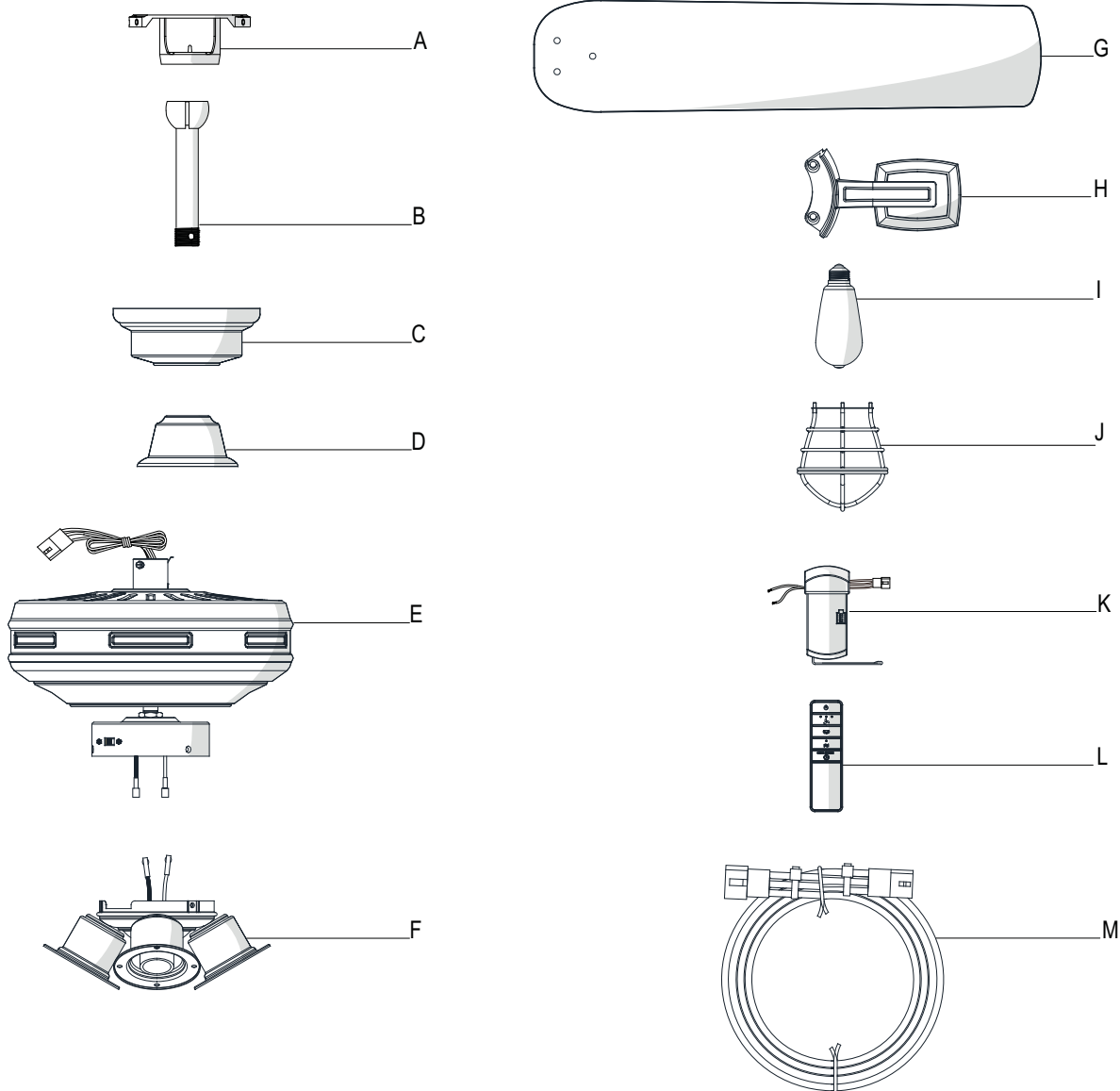
CC

Part	Description	Quantity
AA	Blade attachment screws	16
BB	Plastic wire connector	3

Part	Description	Quantity
CC	Knurl nut (used to attach the light kit frame)	17

Pre-Installation (continued)

PACKAGE CONTENTS



Part	Description	Quantity
A	Slide-on mounting bracket (inside canopy)	1
B	Ball/downrod assembly	1
C	Canopy	1
D	Decorative motor collar cover	1
E	Fan-motor assembly	1
F	Light kit fitter assembly	1

Part	Description	Quantity
G	Blade	5
H	Blade bracket	5
I	Light bulbs (6-watt, max)	4
J	Light kit decorative cage	4
K	Receiver	1
L	Remote control (battery included)	1
M	Extension lead wire	1



IMPORTANT: This product and/or components are governed by one or more of the following U.S. Patents: 5,947,436; 5,988,580; 6,010,110; 6,046,416; 6,210,117 and other patents pending.

Installation

MOUNTING OPTIONS

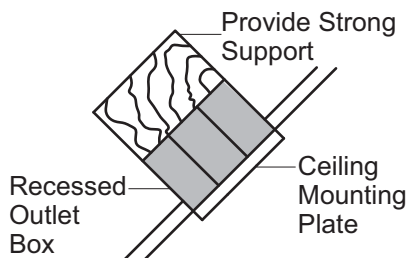
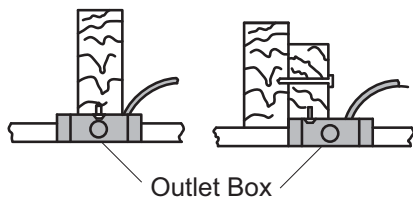
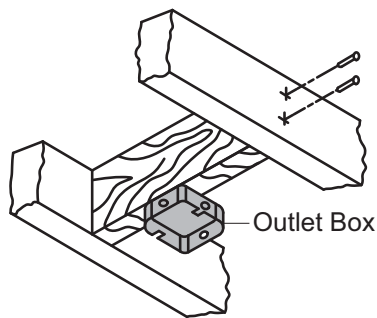


WARNING: To reduce the risk of fire, electric shock, or personal injury, mount the fan to an outlet box marked "Acceptable for fan support of 35 lbs. (15.9kg) or less" and use the screws provided with the outlet box. An outlet box commonly used for the support of lighting fixtures may not be acceptable for fan support and may need to be replaced. If in doubt, consult a qualified electrician.

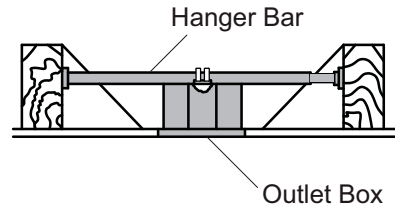
If your ceiling fan does not have an existing UL-listed mounting box, then install one using the following instructions:

- Disconnect the power by removing the fuses or turning off the circuit breakers.
- Secure the outlet box directly to the building structure. Use the appropriate fasteners and materials. The outlet box and its bracing must be able to fully support the weight of the moving fan (at least 35 lbs.). Do not use a plastic outlet box.

The illustrations below show three different ways to mount the outlet box.



NOTE: You may need a longer downrod to maintain proper blade clearance when installing on a steep, sloped ceiling. The maximum angle allowable is 20° away from horizontal.



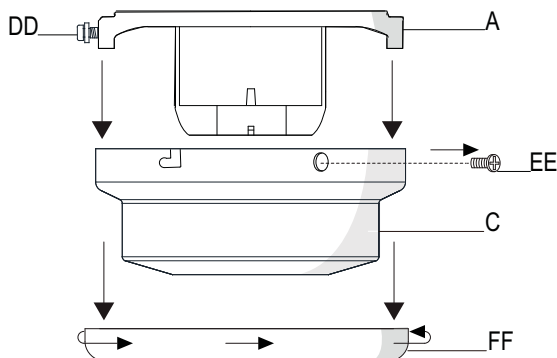
If the canopy (C) touches the ball/downrod assembly (B), then remove the decorative canopy bottom cover and turn the canopy (C) 180° before attaching the canopy (C) to the mounting plate.

To hang your fan where there is an existing fixture but no ceiling joist, you may need an installation hanger bar as shown above (available at any Home Depot store).

Assembly - Standard Ceiling Mount

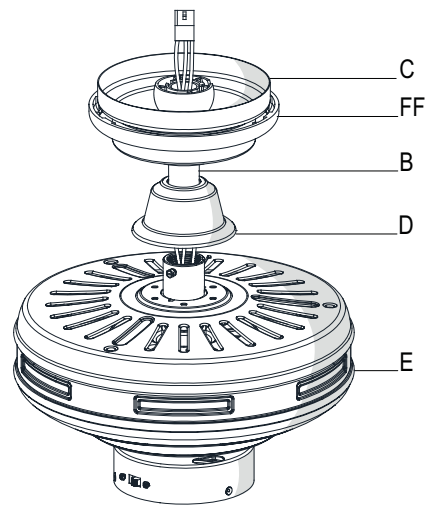
1 Preparing for standard mounting

- Remove the canopy ring (FF) from the canopy (C) by turning the ring counterclockwise until it unlocks.
- Remove the mounting bracket (A) from the canopy (C) by loosening the two canopy screws (DD) located in the “L shaped” slots.
- Remove and save the two canopy screws (EE) in the round holes. This will enable you to remove the mounting bracket (A).



2 Routing the wires

- Route the wires exiting at the top of the fan-motor assembly (E) through the canopy ring (FF).
- Insert the ball/downrod (B) through the canopy (C) and slide the decorative motor collar cover (D) onto the end of the ball/downrod (B). Make sure the slots on the canopy (C) are on top.
- Route the wires exiting the top of the fan motor assembly (E) through the downrod as shown.



3 Assembling the fan

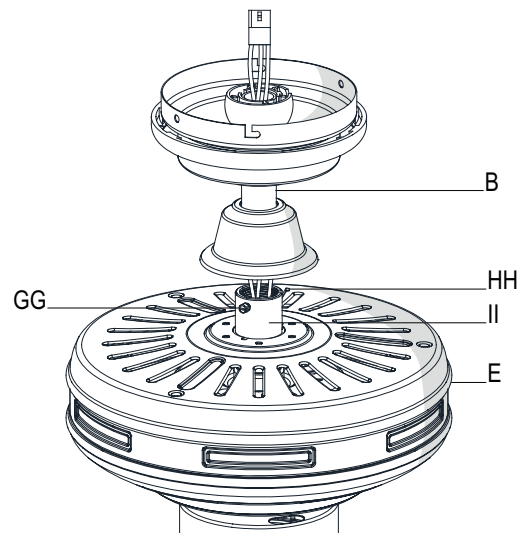


CAUTION: To ensure wobble-free operation and to avoid damage to the fan, the downrod (B) and the setscrew (GG) must be completely tightened.



NOTE: This fan is equipped with a safety tab (HH). Should the setscrew (GG) ever become loose while the fan is running in reverse, the safety tab (HH) will engage and stop the fan from falling.

- Loosen, but do not remove, the setscrew (GG) on the collar (II) on top of the fan-motor assembly (E).
- Install the downrod (B) by inserting it into the motor collar (II), and turning it clockwise until it is tight.
- Re-tighten the setscrew (GG) on the collar (II) on top of the fan motor assembly (E).



Assembly - Hanging the Fan

1 Attaching the fan to the electrical box

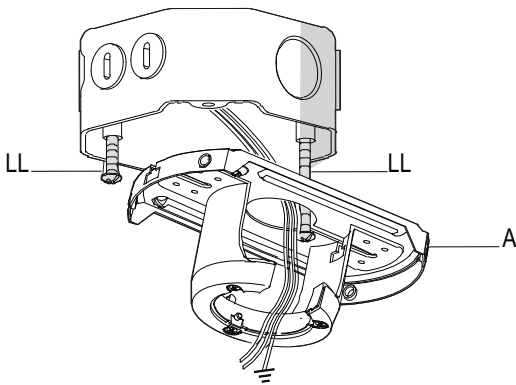


WARNING: To reduce the risk of fire, electric shock, or other personal injury, mount the fan to an outlet box or supporting system marked "Acceptable for fan support of 35 lbs. (15.9kg) or less" and use the mounting screws provided with the outlet box.



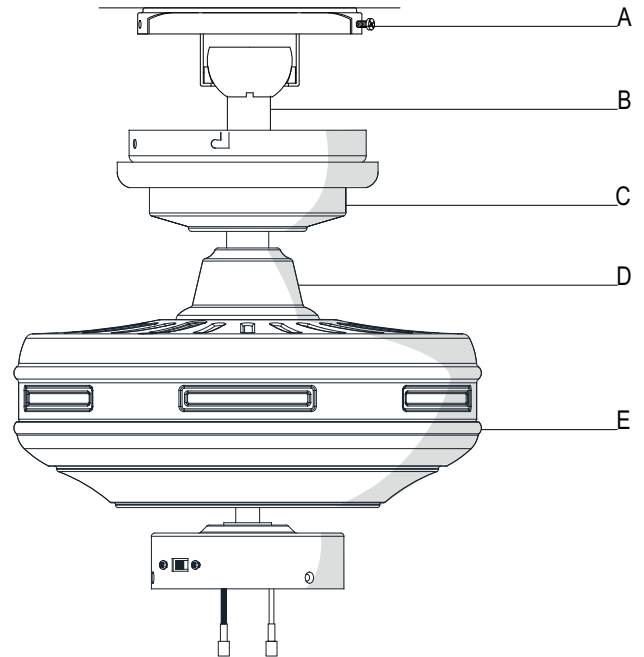
NOTE: The mounting bracket (A) is designed to slide into place on an outlet box with the outlet box screws (LL).

- Pass the 120-Volt supply wires through the center hole in the slide-on mounting bracket (A).
- Install the ceiling slide-on mounting bracket (A) on the outlet box by sliding the slide-on mounting bracket (A) over the two screws (LL) provided with the outlet box. If necessary, use leveling washers (not included) between the slide-on mounting bracket (A) and the outlet box. Note that the flat side of the slide-on mounting bracket (A) is toward the outlet box.
- Securely tighten the two mounting screws (LL).



2 Hanging the fan

- Carefully lift the fan-motor assembly (E) up to the slide-on mounting bracket (A).
- Seat the hanger ball portion of the ball/downrod assembly (B) in the mounting bracket socket. Ensure that the tab on the slide-on mounting bracket (A) socket is properly seated in the groove in the hanger ball.



Assembly - Hanging the Fan (continued)

3 Setting the code on the remote control and receiver



NOTE: The frequencies on your receiver and hand unit have been preset at the factory. Before installing the receiver, make sure the dip switches on the receiver and hand unit are set to the same frequency. The dip switches on the hand unit are located inside the battery compartment.

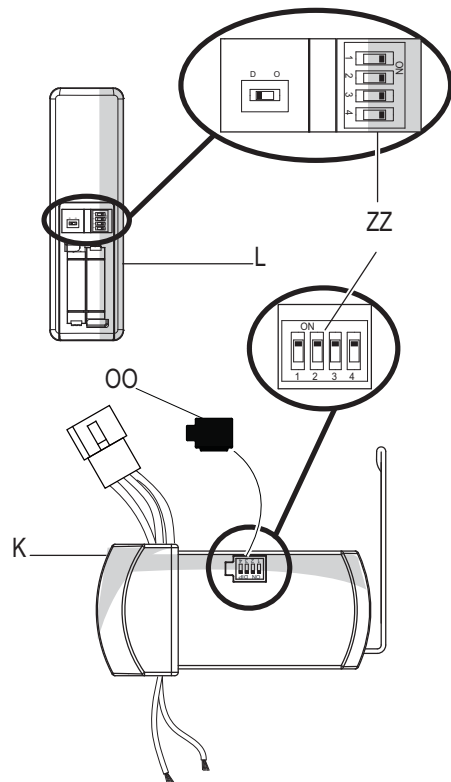


NOTE: The switch marked "O/D" controls the dimming function of the lights. If using non-dimmable bulbs, use a ballpoint pen or small screwdriver to set the switch to "O" to disable the dimming function. If using dimmable bulbs, set the switch to "D" to enable the dimming function. The remote is preset at factory to the "O" position.



NOTE: The battery will weaken with age and should be replaced before leaking takes place as this will damage the hand unit. Dispose of used battery properly and keep the battery out of the reach of children.

- Remove the remote control (L) battery cover by pressing firmly on the arrow and sliding the cover off.
- Slide the dip switches (ZZ) to your choice of either up or down. The factory setting is up.
- Slide the dip switches (ZZ) on the receiver (K) to the same position as set on the remote control (L).
- Install two 1.5V AAA batteries (included).
- Replace the battery cover on the remote control (L).
- Insert the silicone rubber stopper (OO) into the hole on the receiver (K) to cover the dip switches.



4 Installing the receiver



WARNING: To reduce the risk of fire or electric shock, remember to disconnect power. The electrical wiring must meet all local and national electrical code requirements. The electrical source and fan must be 110/120 volt, 60Hz. Do not use this product in conjunction with any variable wall control. Incorrect wire connection can damage this receiver.

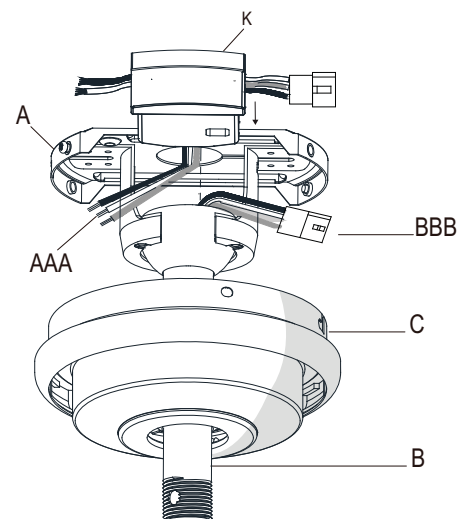
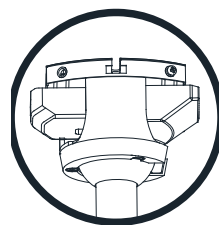


CAUTION: If other fan wires are a different color, have this unit installed by a licensed electrician.



CAUTION: Do not install the receiver in a damp location or immerse in water (For indoor use only). Do not pull on or cut the receiver leads shorter. Do not drop or bump the unit.

- Position the house supply wires (AAA) to one side of the slide-on mounting bracket (A); position the fan wires (BBB) to the opposite side.
- Insert the narrow end of the receiver (as shown, flat side towards the ceiling) into the slide-on mounting bracket until it rests on top of the ball/downrod assembly.



Assembly - Hanging the Fan (continued)

5 Wiring the receiver to the household wiring



WARNING: To avoid possible electrical shock, turn the electricity off at the main fuse box before wiring. If you feel you do not have enough electrical wiring knowledge or experience, contact a licensed electrician.

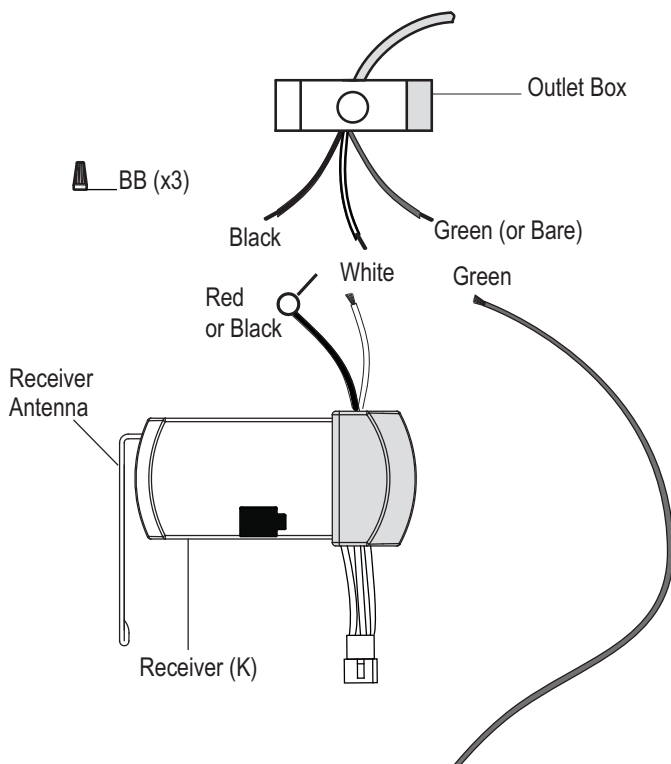


WARNING: Each wire nut supplied with this fan is designed to accept up to one 12-gauge house wire and two wires from the fan. If you have larger than 12-gauge house wiring or more than one house wire to connect to the fan wiring, consult an electrician for the proper size wire nuts to use.



IMPORTANT: Use the wire connecting nuts (BB) supplied with your fan. Secure the connectors with electrical tape and ensure there are no loose strands or connections.

- Spread the wires apart so that the green and white wires are on one side of the outlet box and the black wire is on the other side.
- Connect the green fan wires to the household ground wire (this may be a green or bare wire) using a wire connecting nut (BB).
- Connect the receiver (K) red or black wire to the household black (hot) wire using a wire connecting nut (BB).
- Connect the receiver (K) white wire to the household white wire (neutral) using a wire connecting nut (BB).
- Secure each wire connecting nut using electrical tape.

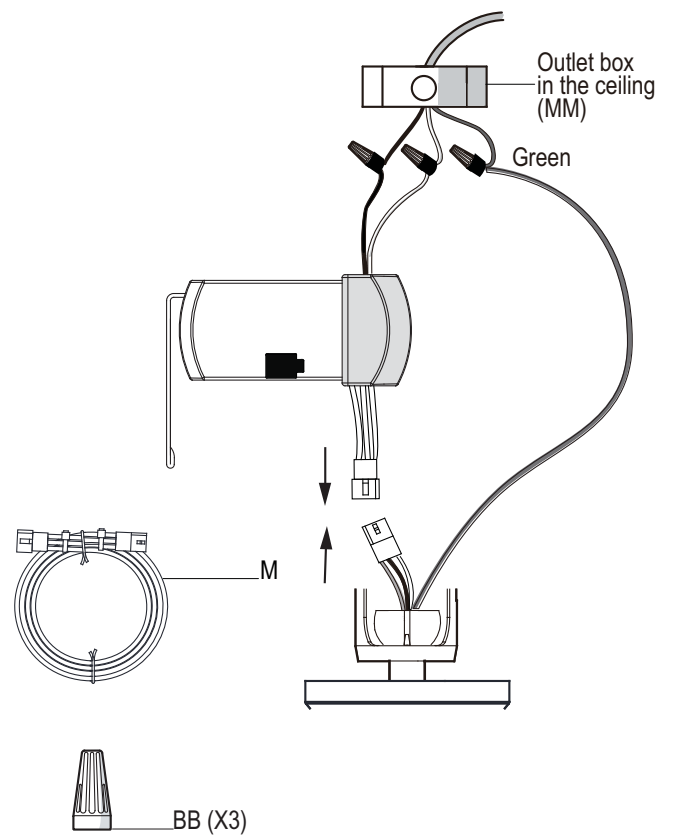


6 Wiring the fan to the receiver



NOTE: The fan comes with 12 in. lead wires for use with the provided 6 in. ball downrod assembly (B), if you wish to use longer downrod, you can use the extension lead wire (66in.) (M) provided..

- If using the 6 in. ball downrod assembly (B) provided, wire the receiver to the fan wires by connecting the molded adaptor plug from receiver (K) with molded adaptor of the fan motor assembly (E) together.
- If you wish to use longer downrod, you can use the extension lead wire (66in.) (M) provided by connecting the molded adaptor together.



Assembly - Hanging the Fan (continued)

7 Mounting the fan-motor assembly (standard mount)

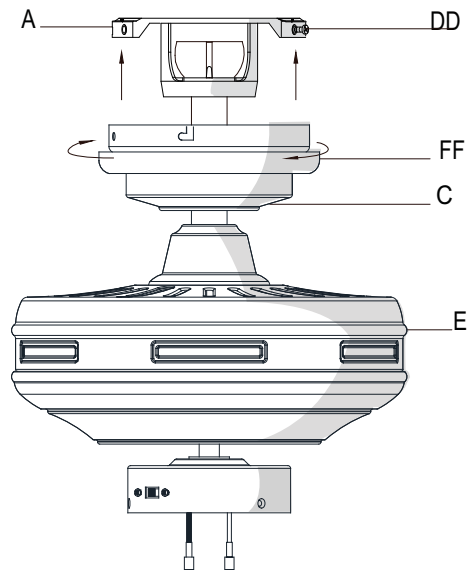


WARNING: When using the standard ball/downrod mounting, the tab in the ring at the bottom of the mounting bracket must rest in the groove of the hanger ball. Failure to properly seat the tab in the groove could cause damage to the wiring.



WARNING: The locking slots of ceiling canopy are provided only as an aid to mounting. **Do not leave the fan assembly unattended until all four canopy screws are engaged and firmly tightened.**

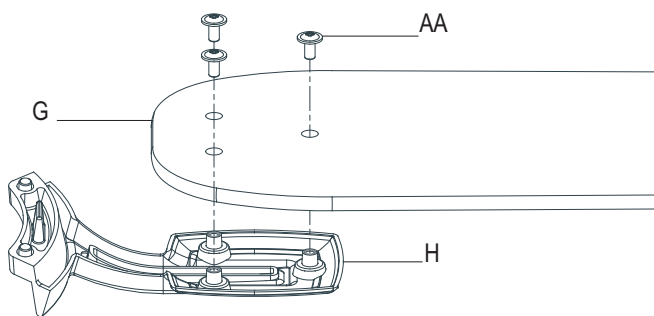
- Align the locking slots of the ceiling canopy (C) with the two screws (DD) in the mounting bracket (A). Push up to engage the slots and turn clockwise to lock in place.
- Firmly tighten the two mounting screws (DD).
- Install the two mounting screws (saved from Assembly Step 1 "Preparing for mounting") into the holes in the canopy (C) and tighten firmly.
- Install the decorative canopy ring (FF) by aligning the ring's slots with the screws in the canopy (C). Rotate the ring clockwise to lock in place.



Assembly - Attaching the Blades

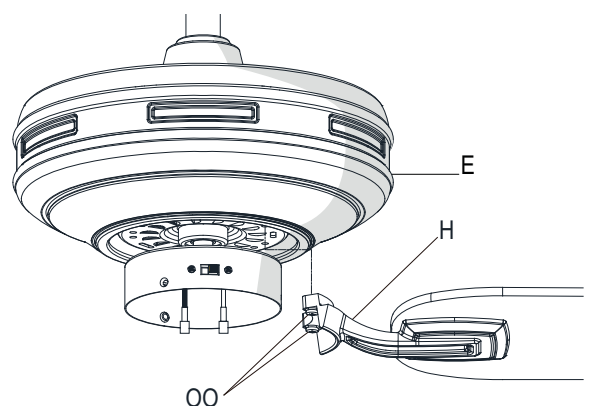
1 Attaching the blades to the blade brackets

- Attach a blade (G) to blade bracket (H) by inserting the screws (AA) into the holes in the blade and through the blade bracket (H).
- Tighten each screw securely.
- Repeat this step for each blade and blade bracket.



2 Fastening the blade assemblies to the motor

- Fasten the blade/blade bracket assembly (H) to the fan motor assembly (E) by inserting the alignment post into the slot on the bottom of the motor and tightening the pre-installed blade bracket screws (OO).
- Repeat this step for the remaining blade assemblies.



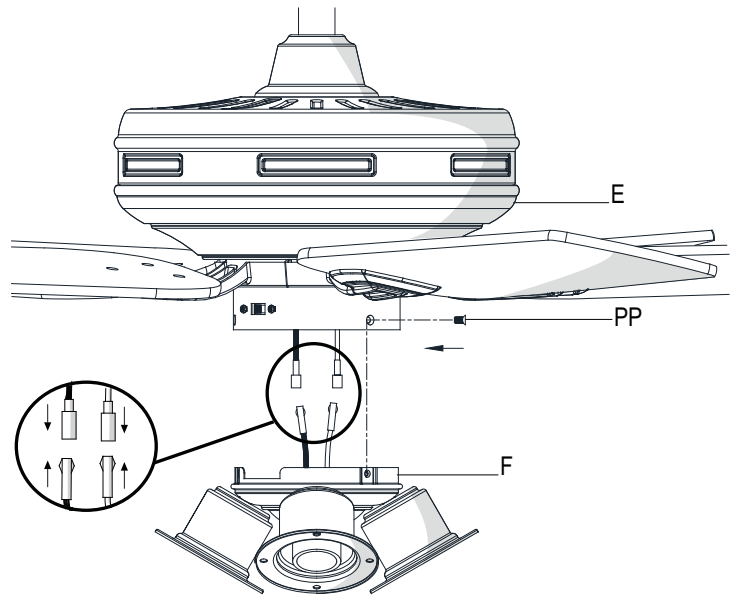
Assembly - Attaching the Light

1 Attaching the light kit fitter assembly



CAUTION: To reduce the risk of electric shock, disconnect the electrical supply circuit to the fan before installing the light fixture.

- Remove three screws (PP) from the the switch cup cover of light kit fitter assembly (F) and save them for later use.
- Connect the blue wire exiting the bottom of the fan motor assembly (E) with black wire from the top of the light kit fitter assembly (F).
- Connect the white wire exiting the bottom of the fan motor assembly (E) with white wire from the top of the light kit fitter assembly (F).
- Push the light kit fitter assembly (F) up to the switch cup below the fan motor assembly (E), align the three screw holes on the switch cup with the three screw holes on the switch cup cover of the light kit fitter assembly (F).
- Re-install the three screws that was removed in step 1. make sure all the screws are firmly tightened.

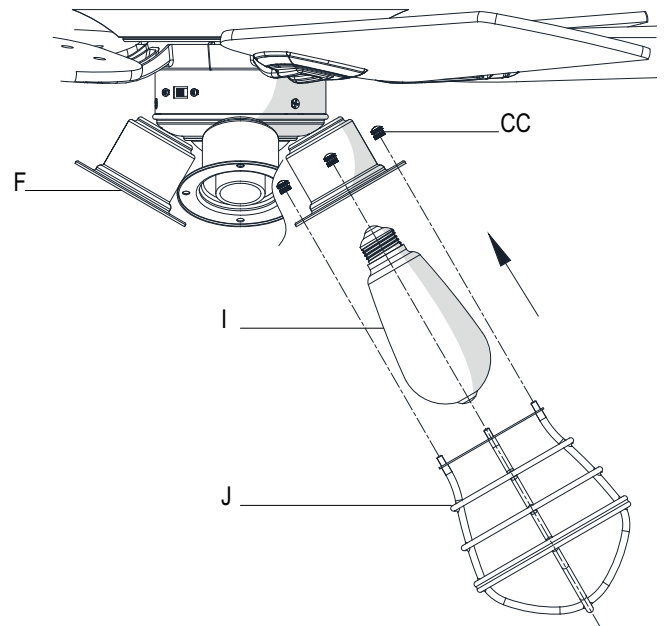


2 Installing the light bulbs and light kit cage



CAUTION: Make sure the power is off before attaching or removing the glass bowl.

- With power off, install the four LED bulbs (I) (Max. 6W, included) by screwing into the light bulb sockets.
- Insert the light kit cage to the light kit cowling by aligning the three holes on the light kit cowling of the light kit fitter assembly (F) with the three posts on the light kit cage (J), screw the knurl nut (CC) into the posts of the light kit cage (J) and hand tighten each nut.



Operating Your Fan and Remote Control

Remote Control - Your fan is equipped with a remote control to operate the speed and lights of your new ceiling fan.

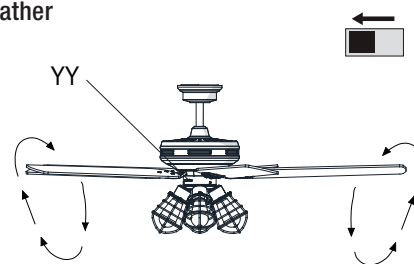
Speed setting for warm or cool weather depends on factors such as the room size, ceiling height, number of fans and so on.

The fan is shipped from the factory with the reversing switch (YY) positioned to circulate air downward. If airflow is desired in the opposite direction, turn your fan off and wait for the blades to stop turning, then slide the reversing switch (located on the switch housing) to the opposite position, and turn the fan on again. The fan blades will turn in the opposite direction and reverse airflow.

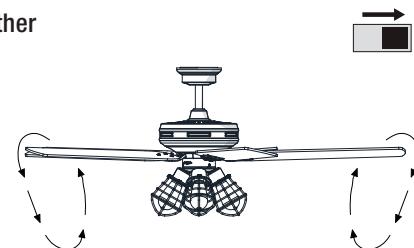
Warm weather - (Forward) A downward airflow creates a cooling effect. This allows you to set your air conditioner on a higher setting without affecting your comfort.

Cool weather - (Reverse) An upward airflow moves warm air off of the ceiling. This allows you to set your heating unit on a lower setting without affecting your comfort.

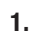
A. Warm weather








B. Cool weather








Operating Your Fan and Remote Control




- Power ON/OFF** - Press and release the  button to turn the fan and light on or off.

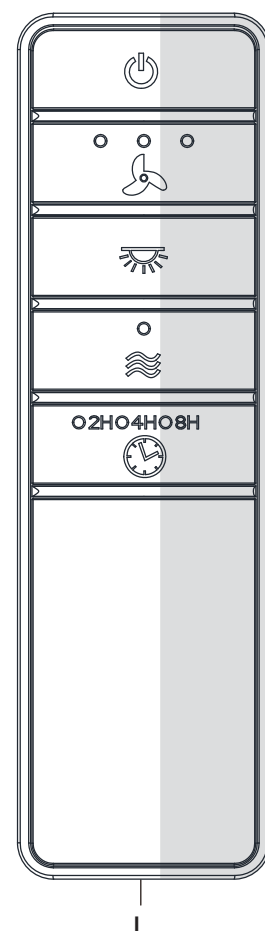
 - Press and hold the  button for 5 seconds to use the “walk away time delay”; this will activate the light for 30 seconds (the light will be activated at 50% brightness).
- Fan Speed** - LEDs on the fan speed button will illuminate to the corresponding speed.

 -  - Press and release 1 time - turns the fan on high speed.
 -  - Press and release 2 times - turns the fan on medium speed.
 -  - Press and release 3 times - turns the fan on low speed.
 -  - Press and release 4 times - turns the fan off.
- Light ON/OFF**

 - Press and release the  button to turn the light on or off.
 - Press and hold the  button to activate the dimmer function (as long as you have NOT previously set O/D dip switch in your remote to the “ON” position).
- Comfort Breeze™**

 - Press and release  button to enable Comfort Breeze™; this will change your fan speed randomly, simulating a relaxing breeze. To cancel this feature press  or .
- Timer**

 -  - While the fan is on press 1 time - turns on a 2 hour run timer.
 -  - While the fan is on press 2 times - turns on a 4 hour run timer.
 -  - While the fan is on press 3 times - turns on an 8 hour run timer.



Care and Cleaning



WARNING: Make sure the power is off before cleaning your fan.

- Because of the fan's natural movement, some connections may become loose. Check the support connections, brackets, and blade attachments twice a year. Make sure they are secure. It is not necessary to remove the fan from the ceiling.
- Clean your fan periodically to help maintain its new appearance over the years. Do not use water when cleaning, as this could damage the motor, or the wood, or possibly cause an electrical shock. Use only a soft brush or lint-free cloth to avoid scratching the finish. The plating is sealed with a lacquer to minimize discoloration or tarnishing.
- You can apply a light coat of furniture polish to the wood for additional protection and enhanced beauty. Cover small scratches with a light application of shoe polish.
- You do not need to oil your fan. The motor has permanently-lubricated sealed ball bearings.

Troubleshooting

Problem	Solution
The fan will not start.	<ul style="list-style-type: none"><input type="checkbox"/> Check the main and branch circuit fuses or breakers.<input type="checkbox"/> Check to make sure the wall switch is in the on position if applicable.<input type="checkbox"/> Check the line wire connections to the fan and switch wire connections in the switch housing.<input type="checkbox"/> Check the battery in the transmitter.<input type="checkbox"/> Ensure you are in the normal range of 10-20 feet.<input type="checkbox"/> Ensure the dip switch settings are the same on the transmitter and receiver.<input type="checkbox"/> Remember to turn off the power supply before checking the dip switches settings.
The fan is noisy.	<ul style="list-style-type: none"><input type="checkbox"/> Ensure all motor housing screws are snug.<input type="checkbox"/> Ensure the screws that attach the fan blade bracket to the motor hub are tight.<input type="checkbox"/> Ensure the wire nut connections are not rattling against each other or the interior wall of the switch housing.<input type="checkbox"/> Allow a 24-hour "breaking in" period. Most noises associated with a new fan disappear during this time.<input type="checkbox"/> If you are using the ceiling fan light kit, ensure the screws securing the glassware are tight. Check that the light bulbs are also secure.<input type="checkbox"/> Ensure the canopy is a short distance from the ceiling. It should not touch the ceiling.<input type="checkbox"/> Ensure your outlet box is secure and rubber isolator pads were used between the mounting plate and outlet box.
The fan wobbles.	<ul style="list-style-type: none"><input type="checkbox"/> Check that all blade and blade arm screws are secure.<input type="checkbox"/> Most fan wobble problems are caused when blade levels are unequal. Check this level by selecting a point on the ceiling above the tip of one of the blades. Measure from a point on the center of each blade to the point on the ceiling. Rotate the fan until the next blade is positioned for measurement. Repeat for each blade. Any measurement deviation should be within 1/8". Run the fan for ten minutes. If the fan continues to wobble please contact Customer Service and a balancing kit will be sent to you at no charge.

HOME DECORATORS COLLECTION

Questions, problems, missing parts? Before returning to the store,
call Home Decorators Collection Customer Service
8 a.m. - 7 p.m., EST, Monday-Friday, 9 a.m. - 6 p.m., EST, Saturday.

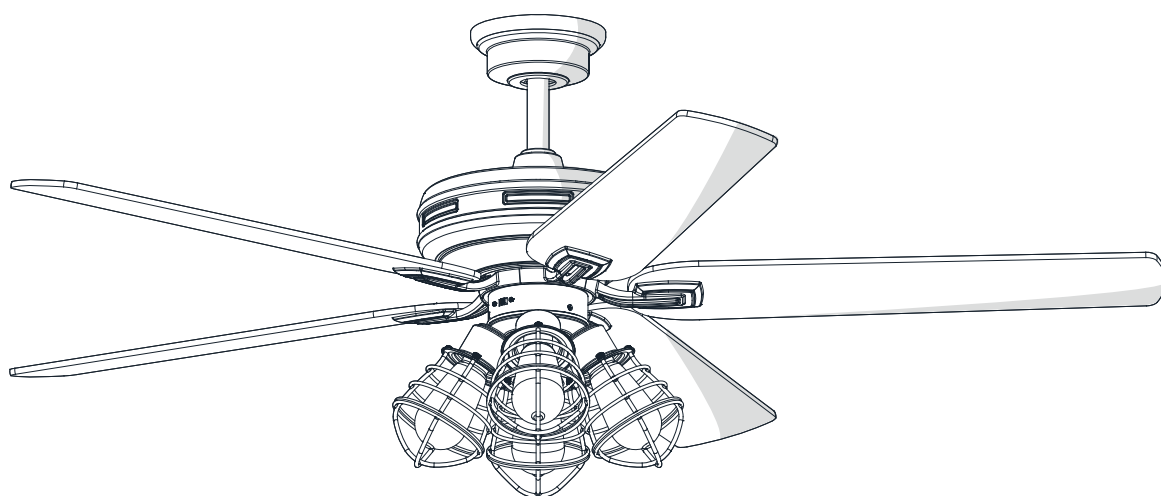
1-800-986-3460

[HOMEDEPOT.COM/HOMEDECORATORS](https://www.homedepot.com/homedecorators)

Retain this manual for future use.

GUÍA DE USO Y MANTENIMIENTO

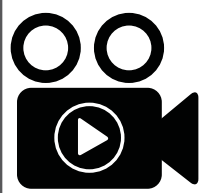
VENTILADOR DE TECHO CARLISLE, DE 60 PLG (1.5 M)



¿Preguntas, problemas o piezas faltantes? Antes de devolver a la tienda, llama al Servicio al Cliente de Home Decorators Collection, de lunes a viernes, entre 8:00 a.m. y 7:00 p.m. (ESTE), y los sábados de 9:00 a.m. a 6:00 p.m. (ESTE).

1-800-986-3460

HOMEDEPOT.COM/HOMEDECORATORS



Para ver un video instructivo sobre cómo instalar este producto:

1. Visita www.homedepot.com e ingresa en el campo de búsqueda el número de modelo o artículo, que aparece en la esquina superior derecha de la portada de este manual de instrucciones.
2. Haz clic sobre tu producto, en la lista de resultados de la búsqueda, y sobre el enlace de video en la sección "Información general del producto".

GRACIAS POR TU COMPRA

Apreciamos la confianza que has depositado en Home Decorators Collection al comprar este ventilador de techo. Nos esforzamos en crear continuamente productos de calidad diseñados para mejorar tu hogar. Visítanos por Internet para ver nuestra línea completa de productos disponibles a fin de satisfacer tus necesidades de mejoras del hogar. ¡Gracias por elegir Home Decorators Collection!

Tabla de contenido

Tabla de contenido	2	Ensamblaje.....	7
Información de seguridad.....	2	Funcionamiento	13
Garantía	3	Mantenimiento y limpieza.....	14
Preinstalación	3	Solución de problemas	14
Instalación.....	6		

Información de seguridad

LEE Y GUARDA ESTAS INSTRUCCIONES.

1. Para disminuir el riesgo de descarga eléctrica, asegure cortar la electricidad en el cortacircuitos o en la caja de fusibles antes de comenzar.
2. Todo el cableado debe cumplir con el Código Nacional de Electricidad ANSI/NFPA 70 y con los códigos locales correspondientes. La instalación eléctrica debe hacerse por un electricista calificado con licencia.
3. La caja eléctrica y estructura de soporte tienen que montarse de forma segura para poder sostener con confianza 35 lb (15.9 kg). Usa solo cajas eléctricas aprobadas por UL y marcadas como "apropiadas para sostener ventiladores de 35 lb (15.9 kg) o menos".
4. El ventilador tiene que montarse con separación mínima de 7 pies (2.1 m) entre el borde de salida de las aspas y el piso.
5. No uses el interruptor de reversa mientras las aspas del ventilador estén en movimiento. Tienes que apagar el ventilador y detener las aspas antes de invertir su sentido de giro.
6. No coloques objetos en la trayectoria de las aspas.
7. Para evitar lesiones personales o daños al ventilador y otros artículos, ten cuidado al limpiarlo o al trabajar cerca de él.
8. Los diagramas eléctricos son sólo para referencia. Los kits de luces no empaquetados con el ventilador tienen que estar aprobados por UL y marcados como apropiados para usar con el modelo de ventilador que estás instalando. Los interruptores tienen que estar clasificados de uso general por UL. Para ensamblar bien, consulta las instrucciones adjuntas a los kits de luces e interruptores.
9. Después de concluir las conexiones eléctricas, debes voltear los conductores empalmados hacia arriba y meterlos con cuidado en la caja eléctrica. Los cables deben estar separados con el cable a tierra y el conductor a tierra del equipo a un lado de la caja eléctrica.
10. Antes de instalar, todos los tornillos de fijación tienen que comprobarse y reajustarse donde sea necesario.



ADVERTENCIA: Para reducir el riesgo de lesiones personales, no dobles los soportes de las aspas (también llamados "bridas") durante o después de la instalación. No coloques objetos en la trayectoria de las aspas.



ADVERTENCIA: Para reducir el riesgo de incendio o descarga eléctrica, no utilices este ventilador con ningún dispositivo de estado sólido para control de velocidad.



ADVERTENCIA: Para evitar posible descarga eléctrica, desconecta la electricidad en la caja principal de fusibles antes cablear. Si crees que no tienes suficiente conocimiento o experiencia sobre cableado eléctrico, contacta a un electricista certificado.



ADVERTENCIA: Los diagramas eléctricos son solo para referencia. Cualquier kit de luces opcional estará aprobado por UL y marcado como adecuado para usar con este ventilador.



ADVERTENCIA: Para reducir el riesgo de incendio o descarga eléctrica "este ventilador sólo debe usar la pieza núm. AP-3RDL de control de velocidad fabricada por Dawnsun Industrial Co., LTD."



ADVERTENCIA: A fin de reducir el riesgo de descargas eléctricas, este ventilador tiene que instalarse con un interruptor de pared con aislamiento.



PRECAUCIÓN: Para reducir el riesgo de lesiones personales, usa solo los tornillos incluidos con la caja eléctrica.



PRECAUCIÓN: Los cambios o modificaciones sin previa aprobación expresa de la parte responsable de su cumplimiento podrían anular el derecho del usuario a operar el equipo.



PRECAUCIÓN: NO usar este ventilador con control de pared o interruptor con regulador de intensidad. Usar un interruptor o control de pared con regulador de intensidad dañará este ventilador.

Este equipo ha sido comprobado y se determinó que cumple con los límites establecidos para un dispositivo digital Clase B, de acuerdo con la Parte 15 de las Normas de la FCC. Estos límites fueron establecidos para dar protección razonable contra la interferencia dañina en uso residencial. Este equipo genera, consume y puede irradiar energía de radiofrecuencia; si no se instala y usa de acuerdo con las instrucciones, puede causar interferencia dañina a comunicaciones radiales. Sin embargo, no hay garantía de que no ocurrirá interferencia en una instalación particular. Si este equipo causa interferencia perjudicial a la recepción de radio o televisión, que puede determinarse encendiendo y apagando el equipo, se recomienda al usuario tratar de corregir la interferencia con una o más de las siguientes medidas:

- Reorientar o reubicar la antena receptora.
- Incrementar la distancia entre los equipos y el receptor.
- Conectar el equipo a un tomacorriente en circuito distinto al que el receptor está conectado.
- Consultar al concesionario o algún técnico de radio/TV con experiencia para ayuda.

PRECAUCIÓN:

Los cambios o modificaciones sin aprobación expresa del responsable de este dispositivo podrían anular el derecho del usuario a operar el equipo.

Este dispositivo cumple con la Parte 15 de las Normas FCC. Su operación está sujeta a las dos condiciones siguientes: (1) Este dispositivo no debe causar interferencia dañina y (2) tiene que aceptar cualquier interferencia recibida, incluyendo aquella que pudiera afectar su funcionamiento.

Garantía

El proveedor garantiza de por vida, a partir de la fecha de adquisición por el comprador original, que el motor del ventilador no presenta defectos de fabricación ni de materiales al momento del envío desde la fábrica. El proveedor también garantiza, por dos años a partir de la fecha de adquisición por el comprador original, que todas las demás piezas del ventilador, sin incluir las aspas de vidrio o acrílicas, no presentarán ningún defecto de fabricación ni de material al momento del envío desde la fábrica. Si el producto es devuelto, aceptamos reparar tales defectos sin cargo alguno o, a nuestra discreción, reemplazarlo por un modelo similar o superior. Para obtener servicio de garantía tienes que presentar una copia del recibo como comprobante de compra. Todos los costos de retiro y reinstalación del producto correrán por tu cuenta. Los daños a cualquier pieza por accidente, instalación o uso inadecuado, o por montar cualquier accesorio, no están cubiertos por esta garantía. Puesto que las condiciones climáticas pueden variar, esta garantía no cubre ningún cambio del acabado en latón, como óxido, perforación, corrosión, manchas o descascaramiento. Este tipo de acabados en latón alargan la vida útil al proteger contra las condiciones climáticas cambiantes. Cierta "oscilación" es normal y no debe considerarse un defecto. Cualquier servicio prestado por personal no autorizado invalidará la garantía. No hay ninguna otra garantía expresa. Por este medio Home Depot Decorators Collection se exime de cualquier garantía, incluyendo pero sin limitarse a, aquellas de comercialización e idoneidad para determinado propósito en el alcance permitido por la ley. La duración de cualquier garantía implícita que no pueda exonerarse se limita al período especificado en la garantía explícita. Algunos estados no permiten limitar la duración de la garantía, así que la limitación anterior pudiera no aplicarse a su caso. El minorista no será responsable por daños directos, indirectos o especiales que resulten o deriven del uso o funcionamiento del producto, excepto en los casos estipulados de otro modo por la ley. Algunos estados no permiten excluir ni limitar daños directos o indirectos, así que la limitación o exclusión anterior pudiera no aplicarse a su caso. Esta garantía otorga derechos legales específicos y es posible que usted tenga también otros derechos, que varían de un estado a otro. Esta garantía sustituye todas las garantías anteriores. Los costos de envío en cualquier devolución de productos como parte de una reclamación de garantía corren por cuenta del cliente.

Comuníquese con el equipo de servicio al cliente por el 1-877-527-0313 o visite www.HomeDepot.com/homedecorators.

Preinstalación

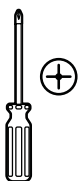
ESPECIFICACIONES

Tamaño	Velocidad	Voltios	Amperios	Watts	RPM	PIES ³ /MIN	Peso neto	Peso bruto	Pies cúbicos
152 cm	Baja	120	x.xx	xx.x	xx	xxxx	xx.x lb (x.x kg)	xx.xx lb (xx.x kg)	x.xx pies ³ (x.xx m ³)
	Media		x.xx	xx.x	xxx	xxxx			
	Alta		x.xx	xx.x	xxx	xxxx			



NOTA: Estas medidas son aproximadas. No incluyen ni el amperaje ni el vataje consumido por el kit de luces.

HERRAMIENTAS NECESARIAS



Destornillador
Phillips



Destornillador
plano



Llave
ajustable



Cinta de
electricista



Cortacables



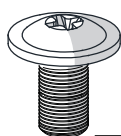
Escalera de tijera

Preinstalación (continuación)

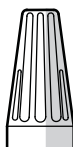
SE INCLUYEN LOS HERRAJES



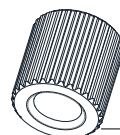
NOTA: Los herrajes no se muestran en tamaño real.



AA



BB



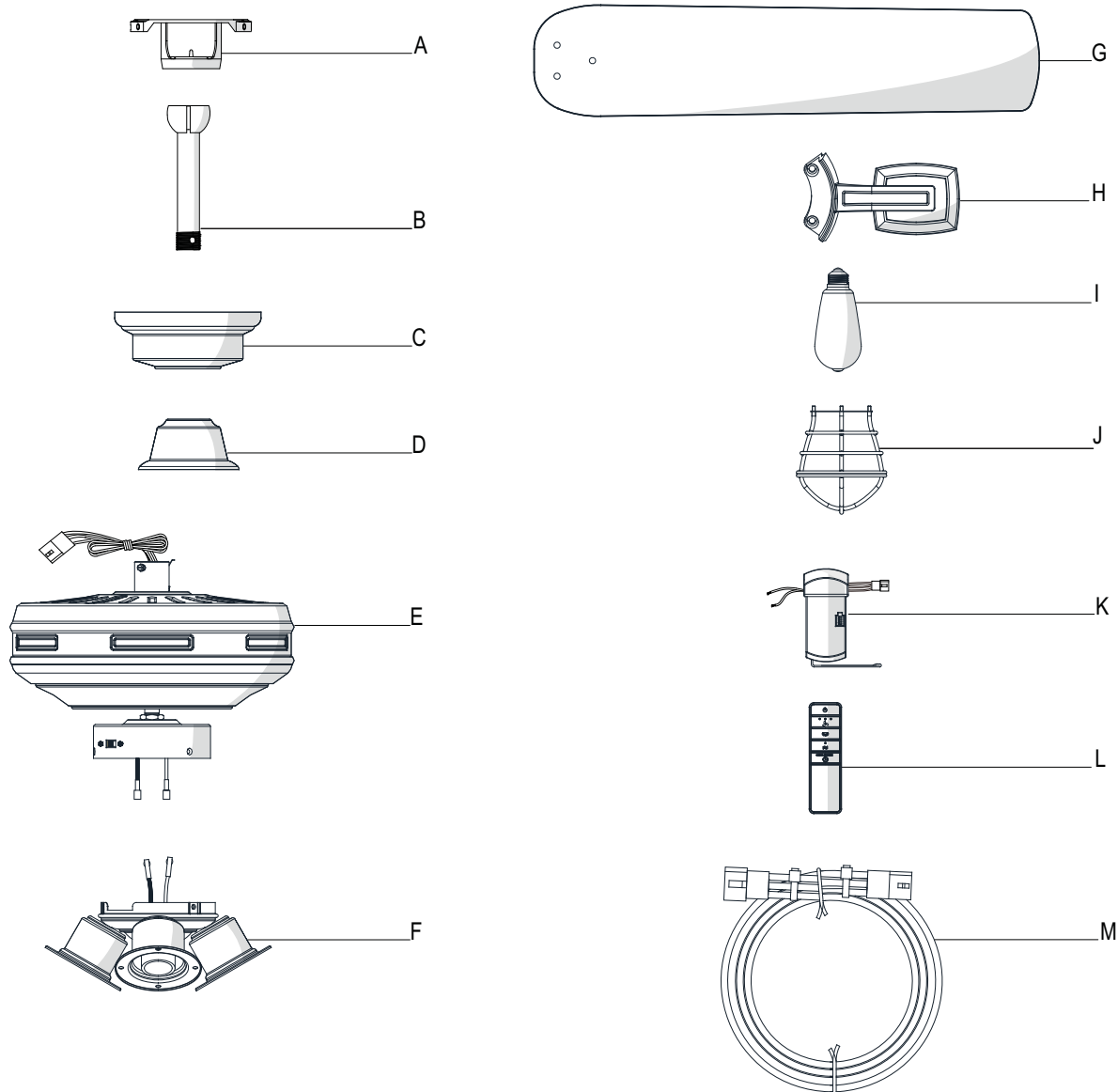
CC

Pieza	Descripción	Cantidad
AA	Tornillos para fijar las aspas	16
BB	Conector plástico para cables	3

Pieza	Descripción	Cantidad
CC	Tuerca estriada (se usa para fijar el armazón del kit de luces)	17

Preinstalación (continuación)

CONTENIDO DEL PAQUETE



Pieza	Descripción	Cantidad
A	Soporte de montaje deslizante (dentro de la cubierta)	1
B	Conjunto del tubo bajante/bola	1
C	Cubierta	1
D	Cubierta decorativa del collarín del motor	1
E	Conjunto motor-ventilador	1
F	Ensamblaje del soporte del kit de luces	1

Pieza	Descripción	Cantidad
G	Aspa	5
H	Soporte de aspa	5
I	Bombillas (máximo de 6 W)	4
J	Armazón decorativo del kit de luces	4
K	Receptor	1
L	Control remoto (incluye batería)	1
M	Extensión de cable terminal	1



IMPORTANTE: Este producto o sus componentes están protegidos por una o más de las siguientes patentes de los EE. UU.: 5,947,436; 5,988,580; 6,010,110; 6,046,416; 6,210,117, así como otras patentes pendientes.

Instalación

OPCIONES DE MONTAJE

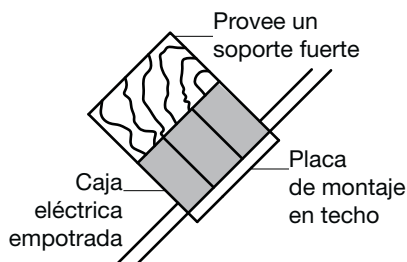
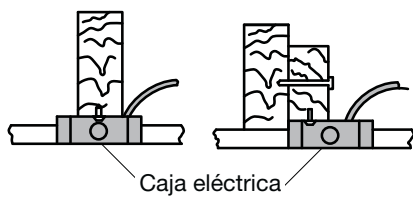
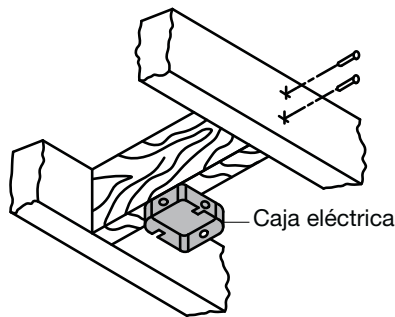


ADVERTENCIA: Para reducir el riesgo de incendio, descarga eléctrica o lesiones personales, instala en una caja eléctrica clasificada como "apropiada para sostener ventiladores de 35 lb (15.9 kg) o menos" y usa los tornillos que vienen con ella. Las cajas eléctricas que suelen utilizarse para el soporte de lámparas pudieran no servir como soporte del ventilador y tal vez deban reemplazarse. En caso de duda, consulta a un electricista calificado.

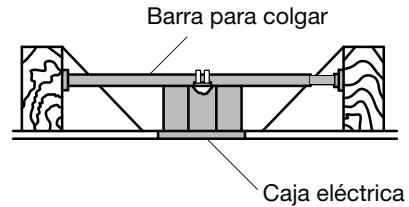
Si tu ventilador de techo no tiene una caja de montaje aprobada por UL, instala una siguiendo las instrucciones a continuación:

- Desconecta la energía retirando los fusibles o apagando los cortacircuitos.
- Asegura la caja eléctrica directamente a la estructura de la edificación. Usa sujetadores y materiales apropiados. La caja eléctrica y su soporte tienen que ser aptos para sostener completamente el peso en movimiento del ventilador (al menos 35 lb: 15.9 kg). No uses una caja eléctrica de plástico.

Las ilustraciones más abajo muestran tres formas distintas de montar la caja eléctrica.



NOTA: Tal vez necesites un tubo bajante más largo para mantener la altura mínima adecuada de las aspas al instalar el ventilador en un techo inclinado. El ángulo máximo permitido es 20° desde la horizontal.



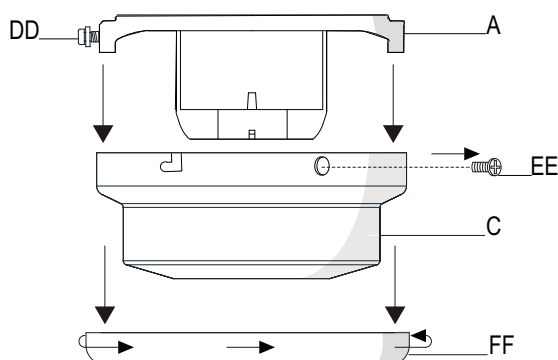
Si la cubierta (C) toca el conjunto del tubo bajante/bola (B), retira la tapa inferior decorativa de la cubierta y gira esta última (C) 180° antes de fijarla a la placa de montaje.

Para colgar el ventilador donde hay una lámpara, pero ninguna viga de techo, tal vez necesites una barra de instalación colgante como se muestra más arriba (disponible en cualquier tienda de The Home Depot).

Ensamblaje - Montaje estándar en techo

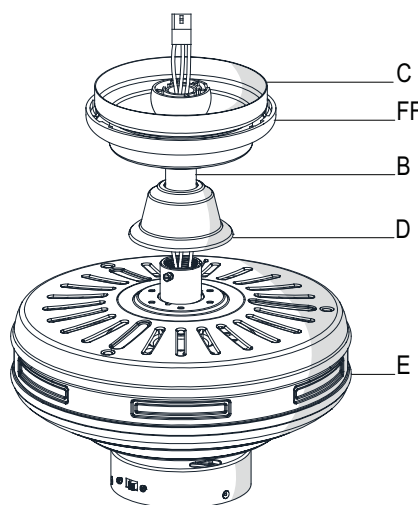
1 Preparación para montaje estándar

- Retira de la cubierta (C) su aro (FF) girándolo hacia la izquierda hasta liberarlo.
- Retira el soporte de montaje (A) de la cubierta (C) aflojando los dos tornillos de esta (DD) ubicados en las ranuras en forma de "L".
- Quita y guarda los dos tornillos de la cubierta (EE) en los orificios redondos. Esto te permitirá retirar el soporte de montaje (A).



2 Cómo tender los cables

- Inserta los cables que salen por la parte superior del conjunto motor-ventilador (E) a través del aro de la cubierta (FF).
- Inserta el tubo bajante/bola (B) a través de la cubierta (C) y desliza la cubierta decorativa del collarín del motor (D) en el extremo de aquel (B). Asegúrate de que las ranuras de la cubierta (C) estén en la parte superior.
- Inserta los cables que salen por la parte superior del conjunto motor-ventilador (E) a través del tubo bajante, como se muestra.



3 Cómo ensamblar el ventilador

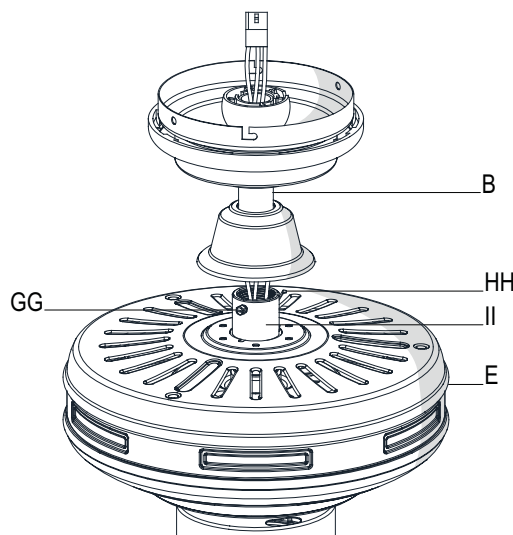


PRECAUCIÓN: Para asegurarte de que no hay oscilación y evitar daños al ventilador, el tubo bajante (B) y el tornillo de fijación (GG) tienen que quedar completamente ajustados.



NOTA: Este ventilador está equipado con una pestaña de seguridad (HH). Si el tornillo de fijación (GG) se afloja mientras el ventilador está funcionando en reversa, la pestaña de seguridad (HH) se enganchará y evitará que el ventilador se caiga.

- Afloja, sin quitarlo, el tornillo de fijación (GG) del collarín (II) ubicado en la parte superior del conjunto motor-ventilador (E).
- Instala el tubo bajante (B) insertándolo en el collarín del motor (II) y girándolo hacia la derecha hasta quedar fijo.
- Vuelve a apretar el tornillo de fijación (GG) del collarín (II) en la parte superior del conjunto motor-ventilador (E).



Ensamblaje - Cómo colgar el ventilador

1 Cómo fijar el ventilador a la caja eléctrica

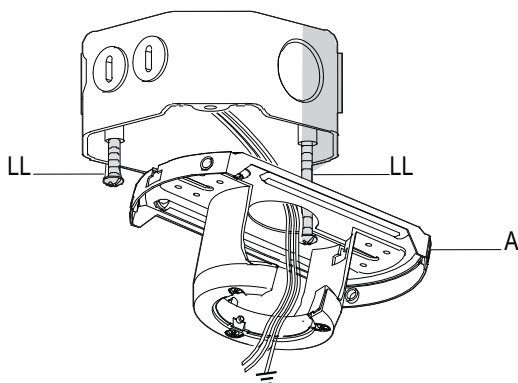


ADVERTENCIA: Para reducir el riesgo de incendio, descarga eléctrica o lesiones personales, instala sólo en una caja eléctrica o sistema de soporte marcado como "apropiado para sostener ventiladores de 35 lb (15.9kg) o menos", y usa sólo los tornillos de montaje incluidos con la caja eléctrica.



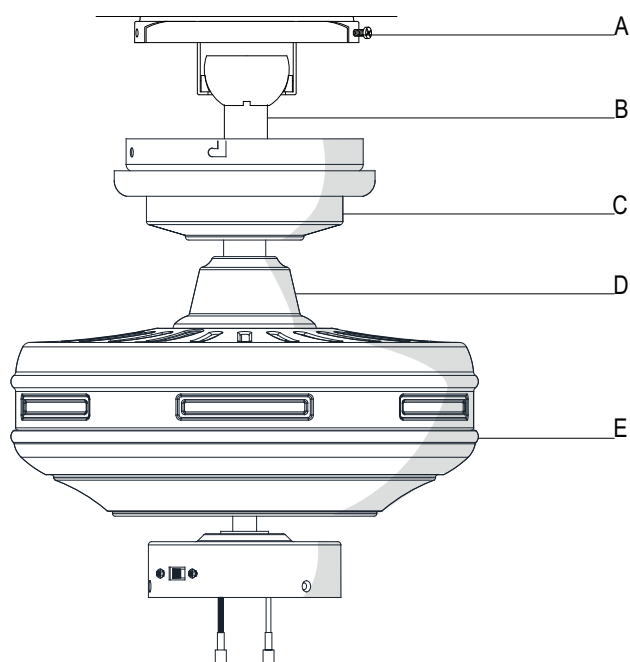
NOTA: El soporte de montaje (A) está diseñado para deslizarse en su lugar sobre una caja eléctrica con los tornillos de esta (LL).

- Pasa los cables de suministro de 120 V a través del orificio central en el soporte de montaje deslizante (A).
- Instala el soporte de montaje de techo deslizante (A) sobre la caja eléctrica deslizando el soporte de montaje (A) sobre los dos tornillos (LL) incluidos con la caja eléctrica. Si es necesario, usa arandelas niveladoras (no se incluyen) entre el soporte de montaje deslizante (A) y la caja eléctrica. Ten en cuenta que el lado plano del soporte de montaje deslizante (A) apunte hacia la caja eléctrica.
- Ajusta firmemente los dos tornillos de montaje (LL).



2 Cómo colgar el ventilador

- Con cuidado, levanta el conjunto motor-ventilador (E) hasta el soporte de montaje deslizante (A).
- Coloca la bola de soporte del conjunto de tubo bajante/bola (B) en el soporte de montaje. Asegúrate de que la pestaña en el casquillo del soporte de montaje deslizante (A) encaje bien dentro de la ranura de la bola de soporte.



Ensamblaje - Cómo colgar el ventilador (continuación)

3 Cómo configurar el código del control remoto y el receptor



NOTA: Las frecuencias del receptor y de la unidad de mano han sido preconfiguradas de fábrica. Antes de instalar el receptor, asegure que los interruptores en línea del receptor y de la unidad de mano estén en la misma frecuencia. Los interruptores en línea en la unidad de mano están ubicados dentro del compartimiento de la batería.

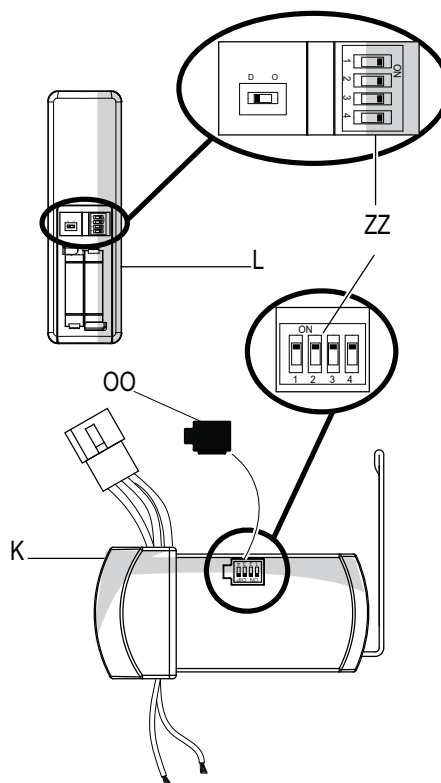


NOTA: El interruptor marcado con "O/D" controla la función de regulación de intensidad de la luz. Si usas bombillas no regulables, emplea un bolígrafo de punta redonda o un destornillador pequeño para fijar el interruptor a la posición "O" a fin de desactivar la función de regulación de intensidad. Si usas bombillas regulables, configura el interruptor en la posición "D" para activar la función de regulación de intensidad. El control remoto viene preconfigurado de fábrica en la posición "O".



NOTA: La batería se debilitará con el tiempo y deberá ser reemplazada antes de que se produzca alguna fuga, ya que esto dañará la unidad de mano. Mantén la batería fuera del alcance de los niños y deséchala adecuadamente tras agotarse.

- ❑ Quita la cubierta de la batería del control remoto (L) presionando con firmeza en la flecha y deslizando la cubierta hasta soltarla.
- ❑ Desliza los interruptores en línea (ZZ) a tu elección hacia arriba o abajo. La configuración de fábrica es hacia arriba.
- ❑ Desliza los interruptores en línea (ZZ) del receptor (K) a la misma posición que elegiste para el control remoto (L).
- ❑ Instala dos baterías AAA de 1.5 V (incluidas).
- ❑ Coloca de nuevo la cubierta en el control remoto (L).
- ❑ Inserta el tapón de hule de silicona (OO) en el orificio del receptor (K) para cubrir los interruptores.



4 Cómo instalar el receptor



ADVERTENCIA: Para reducir el riesgo de incendio o descarga eléctrica, recuerda desconectar la electricidad. El cableado eléctrico tiene que cumplir todos los requisitos de los códigos eléctricos nacionales y locales. La fuente de energía y el ventilador tienen que ser de 110/120 V y 60 Hz. No utilices este producto con ningún control variable de pared. Conectar el cableado de manera incorrecta dañará este receptor.

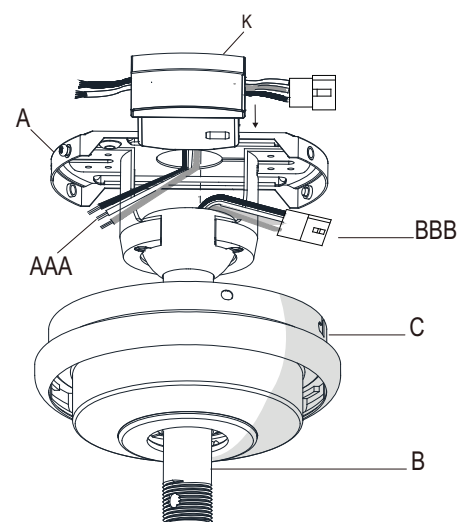
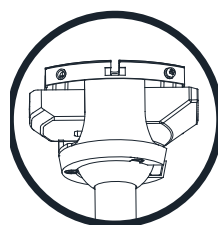


PRECAUCIÓN: Si otros cables del ventilador son de color diferente, un electricista con licencia tiene que instalar esta unidad.



PRECAUCIÓN: No instales el receptor en lugares húmedos ni lo sumerjas en agua (sólo para usar en interiores). No hales ni recortes los cables terminales del receptor. No dejes caer ni golpees la unidad.

- ❑ Ubica los cables de suministro doméstico (AAA) a un lado del soporte de montaje deslizante (A) y coloca los cables del ventilador (BBB) en el lado opuesto.
- ❑ Inserta el extremo angosto del receptor (como se muestra: el lado plano hacia el techo) en el soporte de montaje deslizante hasta dejarlo apoyado en la parte superior del conjunto tubo bajante/bola.



Ensamblaje - Cómo colgar el ventilador (continuación)

5 Cómo cablear el receptor al cableado del hogar



ADVERTENCIA: Para evitar posible descarga eléctrica, desconecta la electricidad en la caja principal de fusibles antes cablear. Si crees que no tienes suficiente conocimiento o experiencia sobre cableado eléctrico, contacta a un electricista certificado.

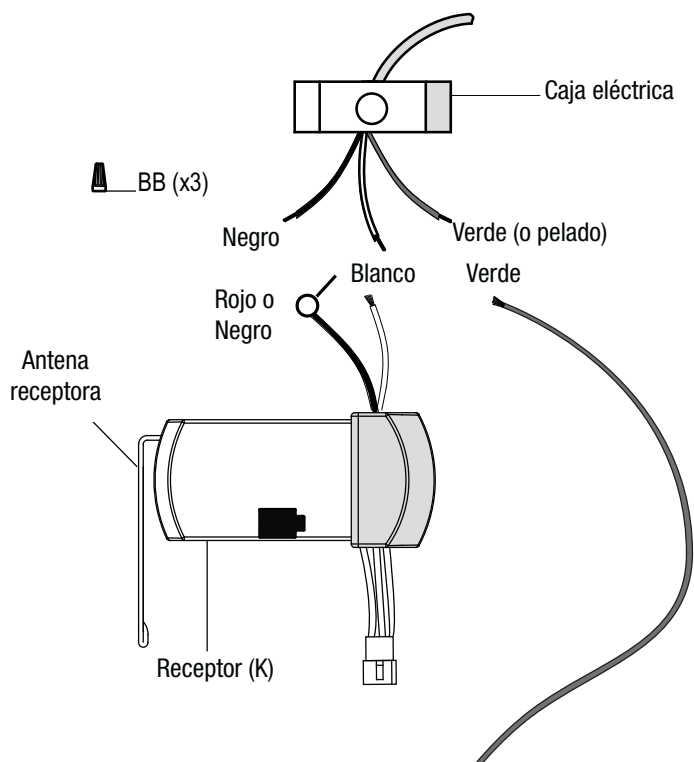


ADVERTENCIA: Cada tuerca para cable suministrada con este ventilador está diseñada para aceptar un cable doméstico de calibre 12 o menos y dos cables del ventilador. Si tienes un cableado doméstico que exceda del calibre 12 o más de un cable doméstico para conectar al cableado del ventilador, consulta a un electricista para el tamaño adecuado de las tuercas a usar.



IMPORTANTE: Usa las tuercas de conexión de cables (BB) que vienen con tu ventilador. Sujeta los conectores con cinta de electricista y asegúrate de que no haya conexiones ni cables sueltos.

- Separa los cables de manera que los cables verde y blanco queden de un lado de la caja eléctrica y el cable negro quede del otro lado.
- Conecta los cables verdes del ventilador al cable con conexión a tierra de la casa (este puede ser verde o pelado) con una tuerca de conexión de cables (BB).
- Conecta el cable rojo o negro del receptor (K) al cable negro (positivo) del hogar con una tuerca de conexión de cables (BB).
- Conecta el cable blanco del receptor (K) al cable blanco del hogar (neutro) con una tuerca de conexión de cables (BB).
- Asegura cada tuerca de conexión de cables con cinta de electricista.

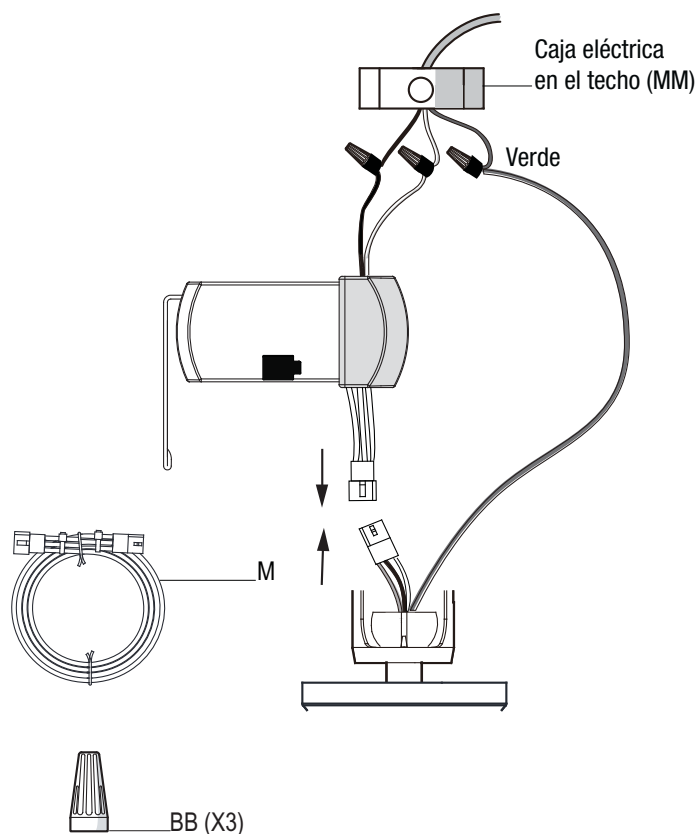


6 Cómo cablear el ventilador al receptor



NOTA: El ventilador viene con cables terminales de 12 plg (30.5 cm) para usar con el conjunto del tubo bajante/bola (B) de 6 plg (15.2 cm) incluido; si deseas un tubo bajante más largo, puedes usar la extensión de cable terminal (66 plg = 1.7 m) (M) incluida.

- Si usas el conjunto del tubo bajante/bola (B) de 6 plg (15.2 cm) incluido, conecta los cables del receptor a los cables del ventilador uniendo el enchufe del adaptador moldeado del receptor (K) con el adaptador moldeado del conjunto motor-ventilador (E).
- Si deseas un tubo bajante más largo, puedes usar la extensión de cable terminal (66 plg = 1.7 m) (M) incluida conectando el adaptador moldeado.



Ensamblaje - Cómo colgar el ventilador (continuación)

7 Cómo montar el conjunto motor-ventilador (montaje estándar)

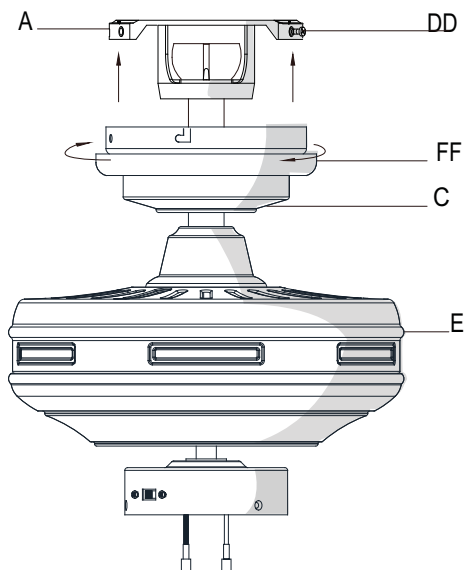


ADVERTENCIA: Cuando uses el conjunto del tubo bajante/bola estándar, la pestaña en el aro en la parte inferior del soporte de montaje tiene que encajar en la ranura de la bola de soporte. Si la pestaña no se asienta correctamente en la ranura, se puede dañar el cableado.



ADVERTENCIA: Las ranuras de cierre de la cubierta del techo sólo sirven de ayuda durante la instalación. **No dejes de ensamblar el ventilador hasta que los cuatro tornillos de la cubierta estén fijos y firmemente ajustados.**

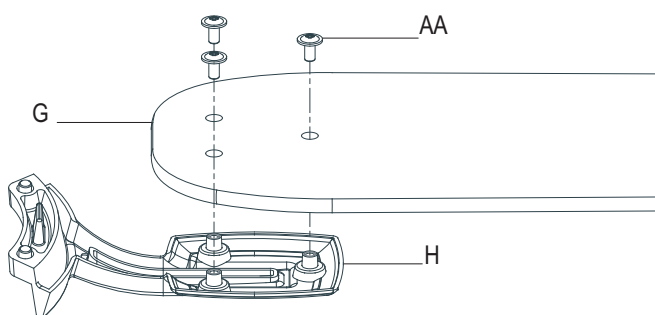
- Alinea las ranuras de cierre de la cubierta de techo (C) con los dos tornillos (DD) del soporte de montaje (A). Empuja hacia arriba para enganchar en las ranuras y gira de izquierda a derecha para asegurarlas en su sitio.
- Ajusta firmemente los dos tornillos de montaje (DD).
- Instala los dos tornillos de montaje (guardados en el paso 1 del ensamblaje, "Cómo preparar la instalación") en los orificios de la cubierta (C) y apriétalos firmemente.
- Instala el aro de cubierta decorativa (FF) alineando las ranuras del aro con los tornillos en la cubierta (C). Gira el aro hacia la derecha para fijarlo en su lugar.



Ensamblaje – Cómo montar las aspas

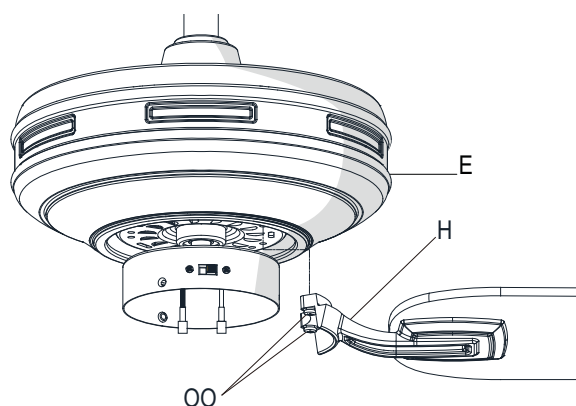
1 Cómo conectar las aspas a los soportes de las aspas

- Monta un aspa (G) en su soporte (H) colocando los tornillos (AA) en los orificios del aspa y a través del soporte (H).
- Aprieta firmemente todos los tornillos.
- Repite este paso para cada aspa y soporte de aspa.



2 Cómo fijar los ensamblajes de las aspas al motor

- Ajusta el ensamblaje del soporte del aspa/aspa (H) al conjunto motor-ventilador (E) insertando el poste de alineación dentro de la ranura de la parte inferior del motor y ajustando los tornillos del soporte de las aspas preinstaladas (OO).
- Repite este paso para ensamblar las aspas restantes.



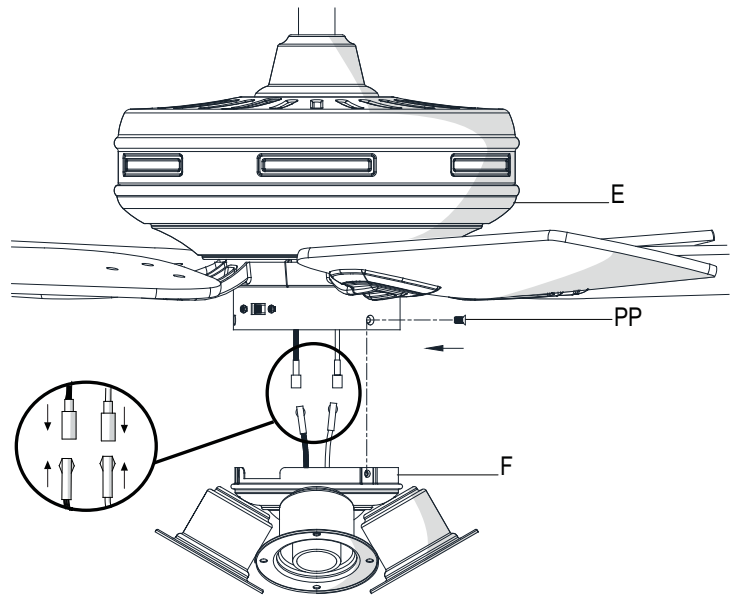
Ensamblaje - Cómo montar la luz

1 Cómo instalar el conjunto del soporte del kit de luces



PRECAUCIÓN: Para disminuir el riesgo de descarga eléctrica, desconecta el circuito eléctrico del ventilador antes de instalar la lámpara.

- ❑ Quita tres tornillos (PP) de la cubierta de la caja del interruptor del ensamblaje del soporte del kit de luces (F) y guárdalos para usarlos después.
- ❑ Conecta el cable azul que sobresale por debajo del conjunto motor-ventilador (E) con el cable negro de la parte superior del ensamblaje del soporte del kit de luces (F).
- ❑ Conecta el cable blanco que sobresale por debajo del conjunto motor-ventilador (E) con el cable blanco de la parte superior del ensamblaje del soporte del kit de luces (F).
- ❑ Empuja el ensamblaje del soporte del kit de luces (F) hacia arriba en dirección a la caja del interruptor debajo del conjunto motor-ventilador (E); alinea los tres orificios para tornillo de la caja del interruptor con sus correspondientes en la caja del interruptor del ensamblaje (F).
- ❑ Reinstala los tres tornillos retirados en el paso 1. Asegúrate de que todos los tornillos queden firmemente apretados.

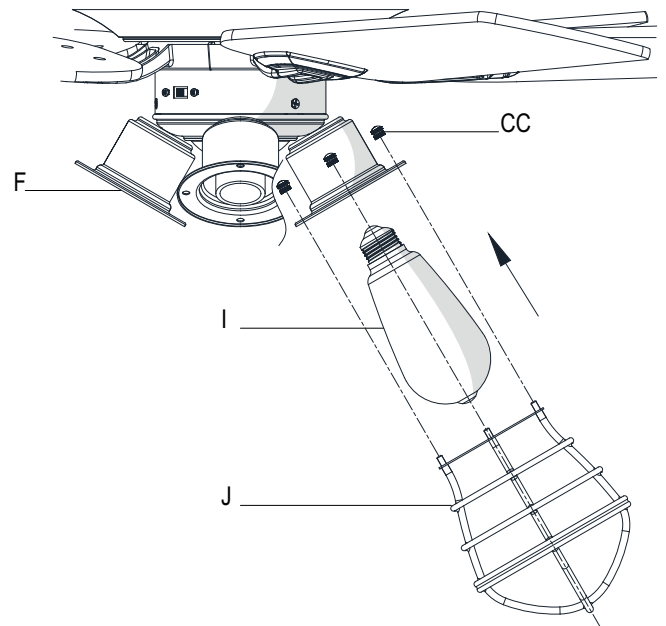


2 Cómo instalar las bombillas y el armazón del kit de luces



PRECAUCIÓN: Asegúrate de que la corriente está cortada antes de montar o retirar el tazón de vidrio.

- ❑ Con la electricidad apagada, instala las cuatro bombillas LED (I) (máximo de 6 W, incluidas) enrosquándolas en los portabombillas.
- ❑ Inserta el armazón del kit de luces en la cubierta del kit alineando los tres orificios en la cubierta del ensamblaje del soporte del kit de luces (F) con los tres postes del armazón del kit (J); enrosca la tuerca estriada (CC) dentro de los postes del armazón (J) y aprieta cada tuerca con la mano.



Cómo usar tu ventilador y control remoto

Control Remoto: Tu ventilador está equipado con un control remoto para operar la velocidad y las luces de tu nuevo ventilador de techo.

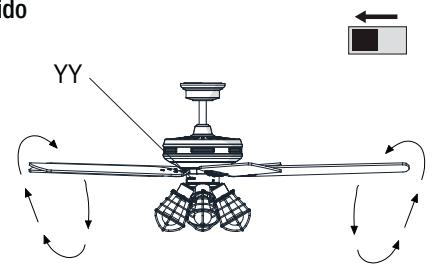
Las configuraciones de velocidad para clima cálido o frío dependen de factores tales como tamaño de la habitación, altura del techo, cantidad de ventiladores y otros.

El ventilador se envía desde la fábrica con el interruptor de reversa (YY) colocado para hacer circular el aire hacia abajo. Si deseas dirigir la corriente de aire en sentido contrario, apaga el ventilador y espera que las aspas se detengan. Enseguida desliza el interruptor de reversa (ubicado en la carcasa del interruptor) en el sentido opuesto y vuelve a encender el ventilador. Las aspas del ventilador girarán en sentido contrario e invertirán la corriente de aire.

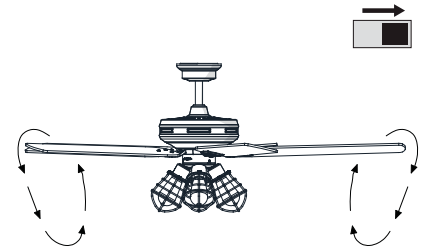
Clima cálido - (Hacia adelante) Un flujo de aire descendente surte efecto refrescante. Esto te permite fijar tu equipo de aire acondicionado en una configuración más alta sin afectar tu comodidad.

Clima frío - (Reversa) Un flujo de aire hacia arriba desplaza el aire cálido lejos del techo. Esto te permite fijar tu unidad de calefacción en una configuración más baja sin afectar tu comodidad.

A. Clima cálido



B. Clima frío



Cómo usar tu ventilador y control remoto

1. **Encendido y apagado (ON/OFF):** Presiona y suelta el botón para encender o apagar el ventilador y la luz.

Mantén presionado el botón durante 5 segundos para usar el “temporizador inmediato”; las luces se activarán durante 30 segundos (al 50% de su brillo).

2. **Velocidad del ventilador:** Las luces LED en el botón de velocidad del ventilador indicarán cuál es.

- Oprime y suelta 1 vez - para encender el ventilador a velocidad alta.

- Oprime y suelta 2 veces - para encender el ventilador a velocidad media.

- Oprime y suelta 3 veces - para encender el ventilador a velocidad baja.

- Oprime y suelta 4 veces - para apagar el ventilador.

3. **Encendido y apagado de luces (ON/OFF)**

Oprime y suelta el botón para encender o apagar la luz.

Mantén presionado el botón para activar la función de regulación de intensidad (siempre que previamente NO hayas configurado el interruptor O/D del control remoto en la posición “ON”)

4. **Comfort Breeze™**

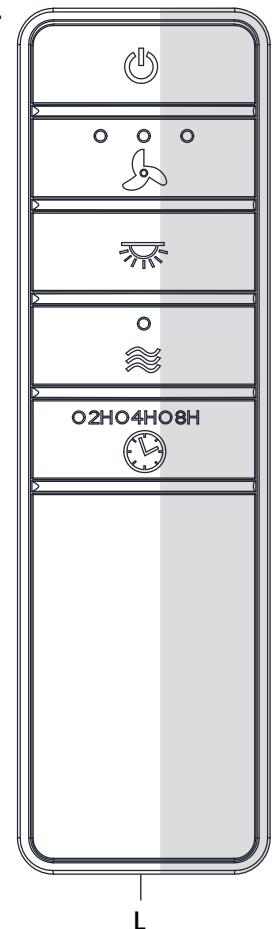
Presionar y soltar el botón para activar la función Comfort Breeze™; esto hará que la velocidad del ventilador cambie aleatoriamente, imitando una brisa relajante. Para cancelar esta función, oprime o .

5. **Temporizador**

- Con el ventilador encendido, oprime 1 vez - para activar el temporizador con 2 horas de funcionamiento.

- Con el ventilador encendido, oprime 2 veces - para activar el temporizador con 4 horas de funcionamiento.

- Con el ventilador encendido, oprime 3 veces - para activar el temporizador con 8 horas de funcionamiento.



Mantenimiento y limpieza



ADVERTENCIA: Antes de limpiar tu ventilador, asegura que la electricidad esté cortada.

- Por causa del movimiento natural del ventilador, algunas conexiones pueden aflojarse. Revisa dos veces al año las conexiones de soporte, los soportes y los accesorios de las aspas. Comprueba que estén seguros. No es necesario desmontar el ventilador del techo.
- Limpia el ventilador con frecuencia para que luzca como nuevo al paso de los años. No uses agua al limpiar. Esto puede dañar el motor o la madera e incluso provocar descarga eléctrica. Usa sólo un cepillo suave o un paño sin pelusas para evitar arañar el acabado. El revestimiento está sellado con laca para minimizar la decoloración u opacidad.
- Puedes aplicar a la madera una fina capa de pulimento para muebles y asegurar así mayor protección y superior belleza. Cubre los arañazos pequeños con una leve aplicación de lustrador para calzado.
- No necesitas lubricar tu ventilador. El motor tiene cojinetes de bola sellados y permanentemente lubricados.

Solución de problemas

Problema	Solución
El ventilador no enciende.	<ul style="list-style-type: none"><input type="checkbox"/> Verifica los fusibles o cortacircuitos principales y secundarios.<input type="checkbox"/> Asegura que el interruptor de pared esté en posición de encendido (ON), si corresponde.<input type="checkbox"/> Verifica las conexiones de cables en línea al ventilador y de cables del interruptor en la caja correspondiente.<input type="checkbox"/> Revisa la batería del transmisor.<input type="checkbox"/> Asegura que estén en el rango normal de 10-20 pies (3 a 6 metros).<input type="checkbox"/> Asegura que las configuraciones del interruptor en línea sean idénticas en el transmisor y en el receptor.<input type="checkbox"/> Recuerda cortar la electricidad antes de verificar las configuraciones de los interruptores en línea.
El ventilador hace ruido.	<ul style="list-style-type: none"><input type="checkbox"/> Asegura que todos los tornillos de la carcasa del motor estén ajustados.<input type="checkbox"/> Asegura que los tornillos que unen el soporte de aspa al cuerpo del motor estén bien apretados.<input type="checkbox"/> Asegura que las conexiones de tuerca de cable no choquen unas con otras ni con la pared interior de la caja del interruptor.<input type="checkbox"/> Deja que transcurra un período de “adaptación” de 24 horas. La mayoría de los ruidos asociados con un ventilador nuevo desaparecen en ese período.<input type="checkbox"/> Si usas el kit de luces de ventilador de techo, asegura que los tornillos que sujetan el vidrio estén bien ajustados. Verifica que también las bombillas estén seguras.<input type="checkbox"/> Garantiza que la cubierta esté a corta distancia del techo. No debe tocar el techo.<input type="checkbox"/> Asegura que la caja eléctrica quede bien ajustada y que se hayan instalado almohadillas aislantes de hule entre la placa de montaje y la caja eléctrica.
El ventilador oscila.	<ul style="list-style-type: none"><input type="checkbox"/> Verifica que todas las aspas y los tornillos de sus brazos estén bien ajustados.<input type="checkbox"/> La mayoría de los problemas de oscilación del ventilador se deben a que las aspas no están al mismo nivel. Verifica este nivel seleccionando un punto en el techo sobre la punta de una de las aspas. Mide desde un punto en el centro de cada aspa al punto en el techo. Gira el ventilador hasta que la siguiente aspa quede en posición para medir. Repite el procedimiento para cada aspa. Las desviaciones de la medición no deben pasar de 1/8” (0.3 cm). Deja que el ventilador funcione durante diez minutos. Si el ventilador continúa oscilando, comunícate con el servicio al cliente y te enviarán un kit de compensación de aspas, sin costo alguno.

HOME
DECORATORS
COLLECTION

¿Preguntas, problemas o piezas faltantes? Antes de devolver a la tienda, llama al Servicio al Cliente de Home Decorators Collection, de lunes a viernes, entre 8:00 a.m. y 7:00 p.m. (ESTE), y los sábados de 9:00 a.m. a 6:00 p.m. (ESTE).

1-800-986-3460

[HOMEDEPOT.COM/HOMEDECORATORS](https://www.homedepot.com/homedecorators)

Conserva este manual para uso futuro.