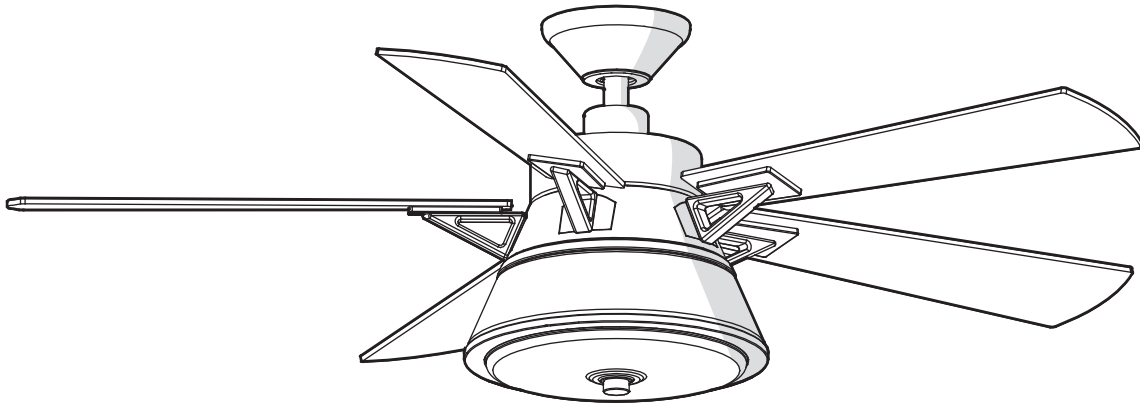




Item #610-015, 608-891
Model #51398, 51399
UL model #52-MAL

USE AND CARE GUIDE

MARLOWE 52-INCH CEILING FAN



Questions, problems, missing parts? Before returning to the store,
call Hampton Bay Customer Service
8 a.m. - 6 p.m., EST, Monday-Friday.

1-877-527-0313

HAMPTONBAY.COM

THANK YOU

We appreciate the trust and confidence you have placed in Hampton Bay through the purchase of this ceiling fan. We strive to continually create quality products designed to enhance your home. Visit us online to see our full line of products available for your home improvement needs.

Thank you for choosing Hampton Bay!

Table of Contents

Table of Contents	2	Assembly	7
Safety Information	2	Operation	13
Warranty	3	Care and Cleaning	14
Pre-Installation	3	Troubleshooting	14
Installation	6		

Safety Information

1. All wiring must be in accordance with the National Electrical Code ANSI/NFPA 70-1999 and local electrical codes. Electrical installation should be performed by a qualified licensed electrician.
2. The outlet box and support structure must be securely mounted and capable of reliably supporting 35 lbs. (15.9 kg). Use only UL Listed outlet boxes marked "Acceptable for Fan Support of 35 lbs. (15.9 kg) or less."
3. The fan must be mounted with a minimum of 7 ft (2 m) clearance from the trailing edge of the blades to the floor.
4. Do not operate the reversing switch while the fan blades are in motion. You must turn the fan off and stop the blades before you reverse the blade direction.
5. Do not place objects in the path of the blades.
6. Electrical diagrams are for reference only. Light kits that are not packed with the fan must be UL-Listed and marked suitable for use with the model fan you are installing. Switches must be UL General Use Switches. Refer to the instructions packaged with the light kits and switches for proper assembly.
7. After making electrical connections, spliced conductors should be turned upward and pushed carefully up into the outlet box. The wires should be spread apart with the grounded conductor and the equipment-grounding conductor on one side of the outlet box.
8. All set screws must be checked and retightened where necessary before installation.



WARNING: To reduce the risk of personal injury, do not bend the blade brackets (also referred to as flanges) during assembly or after installation. Do not insert objects in the path of the blades.



WARNING: To reduce the risk of fire, electric shock or personal injury, mount to outlet box marked "acceptable for fan support of 35lbs. (15.9 Kg) or less" and use screws provided with the outlet box.



WARNING: To reduce the risk of fire or electric shock, do not use this fan with any solid-state speed control device.



WARNING: To avoid possible electrical shock, turn the electricity off at the main fuse box before wiring. If you feel you do not have enough electrical wiring knowledge or experience, contact a licensed electrician.



WARNING: Electrical diagrams are for reference only. Optional use of any light kit shall be UL-listed and marked suitable for use with this fan.



WARNING: To reduce the risk of fire or electric shock, this fan should only be used with fan speed control part no. FAN28R-240W, manufactured by Chia Wei Electric Co., LTD.



CAUTION: To reduce the risk of personal injury, use only the screws provided with the outlet box.



CAUTION: To avoid personal injury or damage to the fan and other items, use caution when working around or cleaning the fan.



CAUTION: Changes or modifications not expressly approved by the party responsible for compliance could void the user's authority to operate the equipment.

This device complies with part 15 of the FCC rules, operation is subject to the following two conditions. (1) this device may not cause harmful interference and (2) this device must accept any interference received, including interference that may cause undesired operation.

Warranty

The supplier warrants the fan motor to be free from defects in workmanship and material present at time of shipment from the factory for a life-time after the date of purchase by the original purchaser. The supplier also warrants that all other fan parts, excluding any glass or acrylic blades, to be free from defects in workmanship and material at the time of shipment from the factory for a period of one year after the date of purchase by the original purchaser. We agree to correct such defects without charge or at our option replace with a comparable or superior model if the product is returned. To obtain warranty service, you must present a copy of the receipt as proof of purchase. All costs of removing and reinstalling the product are your responsibility. Damage to any part such as by accident or misuse or improper installation or by affixing any accessories, is not covered by this warranty. Because of varying climatic conditions this warranty does not cover any changes in brass finish, including rusting, pitting, corroding, tarnishing, or peeling. Brass finishes of this type give their longest useful life when protected from varying weather conditions. A certain amount of "wobble" is normal and should not be considered a defect. Servicing performed by unauthorized persons shall render the warranty invalid. There is no other express warranty. Hampton Bay hereby disclaims any and all warranties, including but not limited to those of merchantability and fitness for a particular purpose to the extent permitted by law. The duration of any implied warranty which cannot be disclaimed is limited to the time period as specified in the express warranty. Some states do not allow a limitation on how long an implied warranty lasts, so the above limitation may not apply to you. The retailer shall not be liable for incidental, consequential, or special damages arising out of or in connection with product use or performance except as may otherwise be accorded by law. Some states do not allow the exclusion of incidental or consequential damages, so the above exclusion or limitation may not apply to you. This warranty gives specific legal rights, and you may also have other rights which vary from state to state. This warranty supersedes all prior warranties. Shipping costs for any return of product as part of a claim on the warranty must be paid by the customer.

Contact the Customer Service Team at 1-877-527-0313 or visit www.HamptonBay.com.

Pre-Installation

SPECIFICATIONS

Size	Speed	Volts	Amps	Watts	RPM	CFM	Net Weight	Gross Weight	Cube Feet
52 in.	Low	120	0.33	13.6	70	2613	22.49 lbs. (10.2 kg)	26.24 lbs. (11.9 kg)	2.3'
	Medium		0.45	30.1	110	4030			
	High		0.56	65.2	165	5924			



NOTE: These are approximate measures. They do not include the amps and wattage used by the light kit.



TOOLS REQUIRED



Phillips screwdriver



Flat blade screwdriver



Adjustable wrench



Electrical tape



Wire cutter



Step ladder

Pre-Installation (continued)

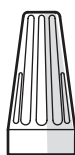
HARDWARE INCLUDED



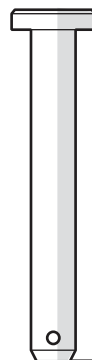
NOTE: Hardware not shown to actual size.



AA



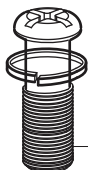
BB



CC



DD



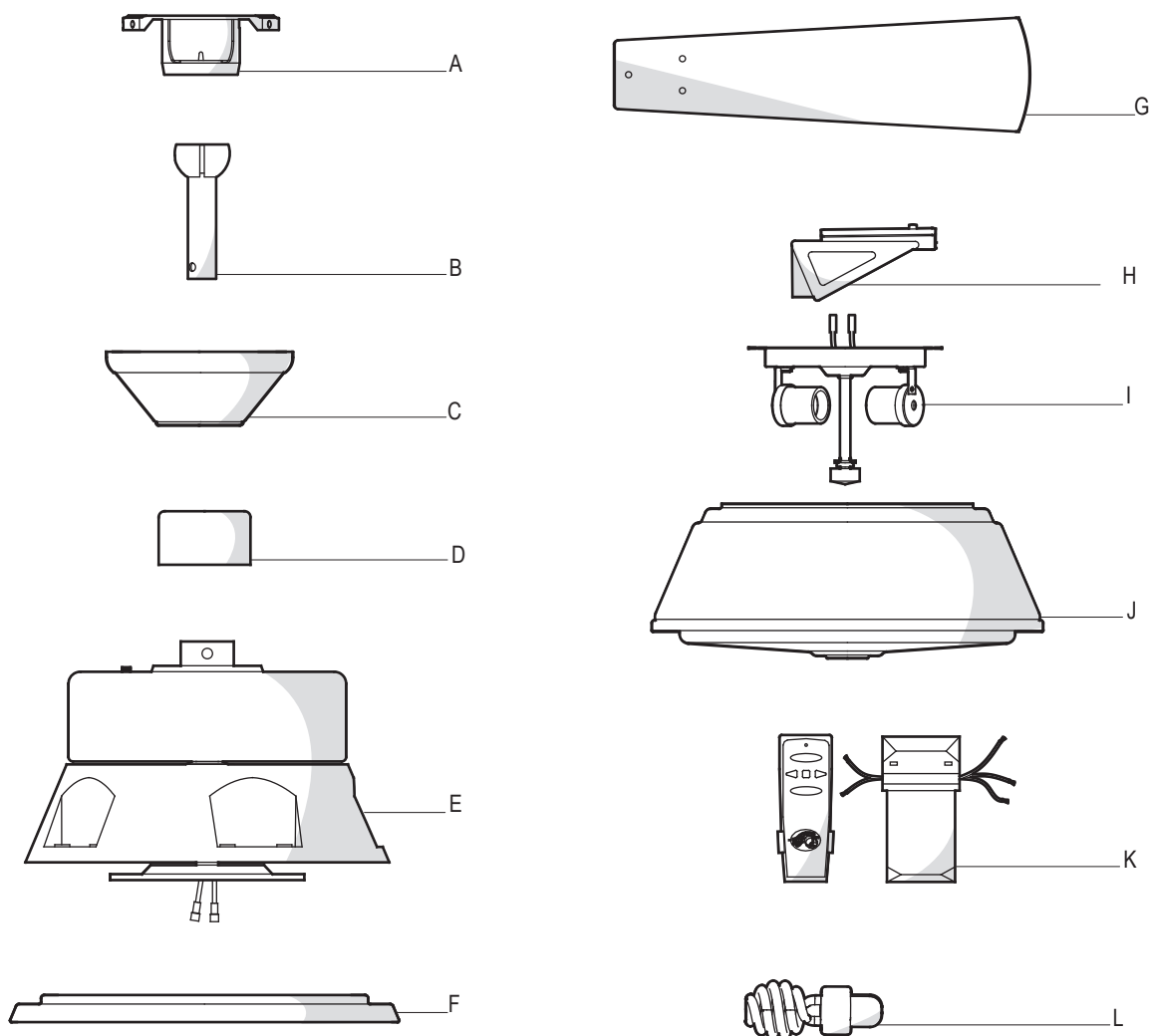
EE

Part	Description	Quantity
AA	Blade attachment screws	16
BB	Plastic wire connecting nut	3
CC	Hanger pin	1

Part	Description	Quantity
DD	Locking pin	1
EE	Blade bracket screw with lockwasher	11

Pre-Installation (continued)

PACKAGE CONTENTS



Part	Description	Quantity
A	Slide-on mounting bracket (inside canopy)	1
B	Ball/downrod assembly	1
C	Canopy with canopy ring attached	1
D	Decorative motor collar cover	1
E	Fan-motor assembly	1
F	Light kit pan	1

Part	Description	Quantity
G	Blade	5
H	Blade bracket	5
I	Light kit fitter assembly	1
J	Glass bowl	1
K	Remote control/receiver (batteries included)	1
L	CFL light bulb, 14-Watt maximum	2



IMPORTANT: This product and/or components are governed by one or more of the following U.S. Patents: 5,947,436; 5,988,580; 6,010,110; 6,046,416, 6,210,117 and other patents pending.

Installation

MOUNTING OPTIONS

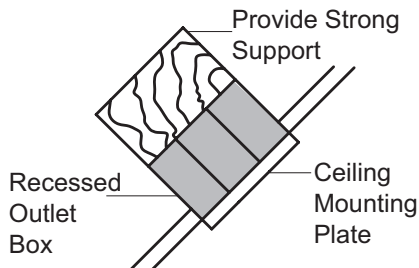
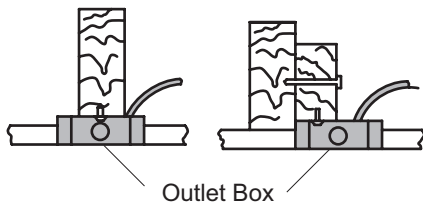
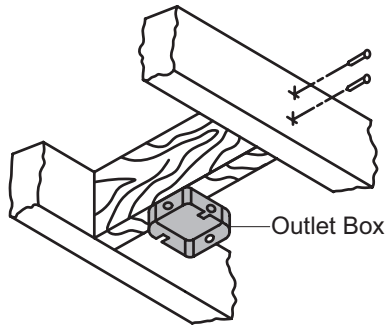


WARNING: To reduce the risk of fire, electric shock or personal injury, mount to outlet box marked "acceptable for fan support of 35lbs. (15.9 Kg) or less" and use screws provided with the outlet box. An outlet box commonly used for the support of lighting fixtures may not be acceptable for fan support and may need to be replaced. If in doubt, consult a qualified electrician.

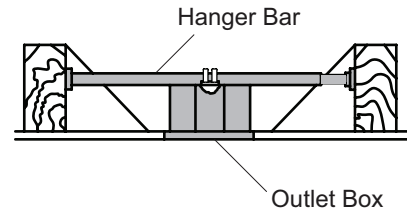
If your ceiling fan does not have an existing UL-listed mounting box, then install one using the following instructions:

- Disconnect the power by removing the fuses or turning off the circuit breakers.
- Secure the outlet box directly to the building structure. Use the appropriate fasteners and materials. The outlet box and its bracing must be able to fully support the weight of the moving fan (at least 35 lbs.). Do not use a plastic outlet box.

The illustrations below show three different ways to mount the outlet box.



NOTE: You may need a longer downrod to maintain proper blade clearance when installing on a steep, sloped ceiling. The maximum angle allowable is 28° away from horizontal.



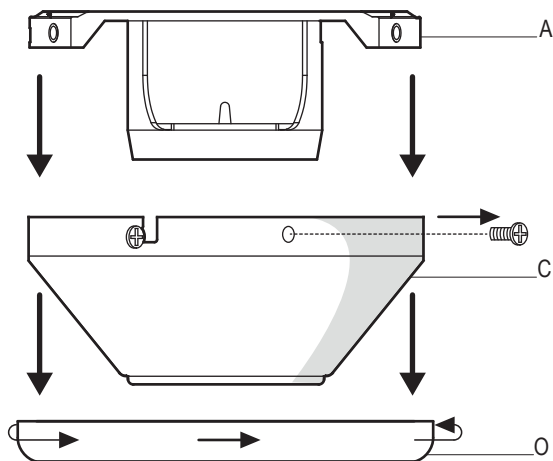
If the canopy (C) touches the ball/downrod assembly (B), then remove the decorative canopy bottom cover, and turn the canopy (C) 180° before attaching the canopy (C) to the mounting plate.

To hang your fan where there is an existing fixture but no ceiling joist, you may need an installation hanger bar as shown above (available at any Home Depot store).

Assembly - Standard Ceiling Mount

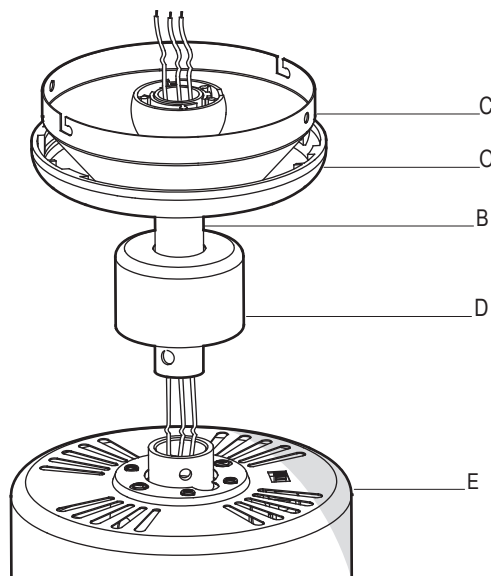
1 Preparing for mounting

- Remove the canopy ring (O) from the canopy (C) by turning the ring to the right until it unlocks.
- Remove the mounting bracket (A) from the canopy (C) by loosening the four screws on the top of the canopy (C).
- Remove the two non-slotted screws, and loosen the slotted screws. This will enable you to remove the mounting bracket (A).



2 Routing the wires

- Route the wires exiting the top of the fan motor (E) into the decorative motor collar cover (D) and through the canopy ring (O).
- Make sure the slot openings are on top and route the wires through the canopy (C) and then through the ball/downrod assembly (B).

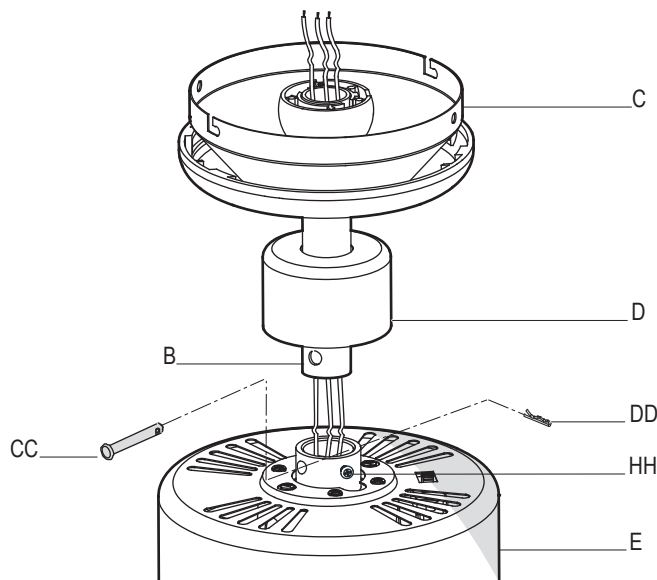


3 Assembling the fan



WARNING: Failure to properly install the locking pin could result in the fan becoming loose and possibly falling.

- Loosen, but do not remove, the setscrew (HH) on the collar on top of the fan-motor assembly (E).
- Align the holes at the bottom of the ball/downrod assembly (B) with the holes in the collar on top of the fan-motor assembly (E).
- Carefully insert the hanger pin (CC) through the holes in the collar and ball/downrod assembly (B). Be careful not to jam the hanger pin (CC) against the wiring inside the ball/downrod assembly (B).
- Insert the locking pin (DD) through the hole near the end of the hanger pin (CC) until it snaps into its locked position.
- Re-tighten the setscrew (HH) on the collar on top of the fan-motor assembly (E).



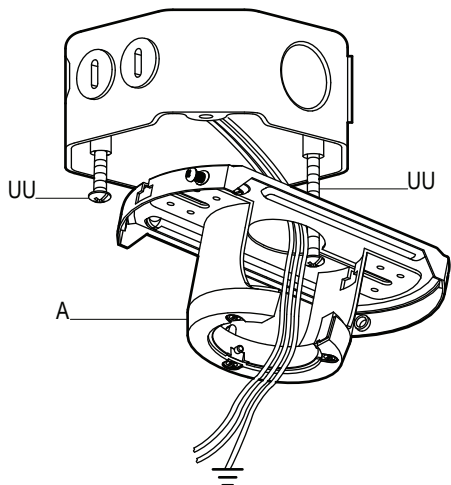
Assembly - Hanging the Fan

4 Attaching the fan to the electrical box



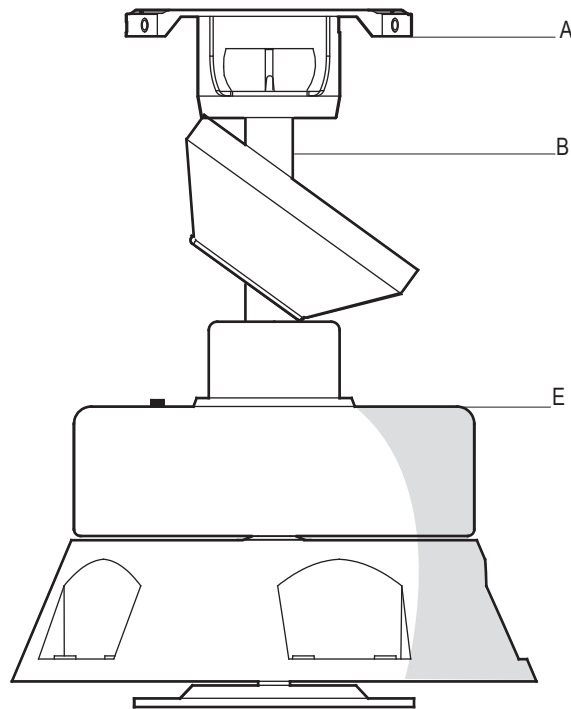
WARNING: To reduce the risk of fire, electric shock or personal injury, mount to outlet box marked "acceptable for fan support of 35lbs. (15.9 Kg) or less" and use screws provided with the outlet box.

- Pass the 120-Volt supply wires through the center hole in the slide-on mounting bracket (A).
- Install the ceiling mounting bracket on the outlet box by sliding the slide-on mounting bracket (A) over the two screws (UU) provided with the outlet box. If necessary, use leveling washers (not included) between the slide-on mounting bracket (A) and the outlet box. Note that the flat side of the mounting bracket (A) is toward the outlet box.
- Securely tighten the two mounting screws (UU).



5 Hanging the fan

- Carefully lift the fan-motor assembly (E) up to the slide-on mounting bracket (A).
- Seat the hanger ball portion of the ball/downrod assembly (B) in the mounting bracket socket. Ensure that the tab on the slide-on mounting bracket (A) socket is properly seated in the groove in the hanger ball.



Assembly - Hanging the Fan (continued)

6 Setting the remote control codes



NOTE: The frequencies on your receiver and remote control have been preset at the factory. Before installing the receiver, make sure the dip switches on the receiver and remote control are set to the same frequency. The dip switches on the remote control are located inside the battery compartment.



NOTE: This remote is equipped with a 16-code combination. To prevent possible interference from or to other remote units, such as garage door openers, car alarms, or security systems, change the combination code, but be sure that the code on both the hand held transmitter and receiver in the fan are the same.

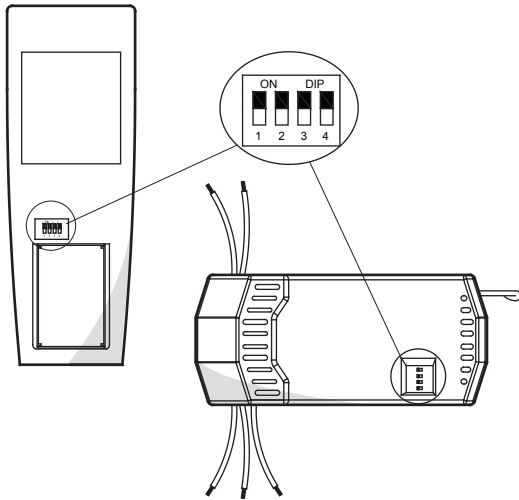
To set the code on the remote control:

- Remove the battery cover by pressing firmly on the arrow and sliding the cover off.
- Slide the code switches to your choice of either up or down. The factory setting is up.
- Install a 9-V battery (included) into the remote control.
- Replace the battery cover on the remote control.

To set the code on the receiver:

- Slide the code switches to the same position as set on your remote control.

Controller Model: FAN28R-240W



7 Installing the receiver

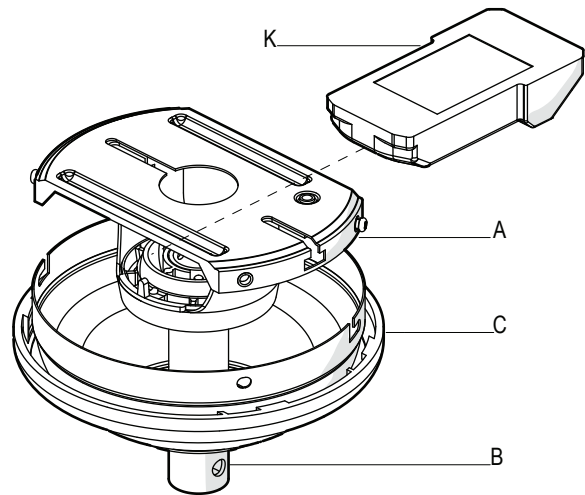


WARNING: To reduce the risk of fire or electric shock, remember to disconnect power. The electrical wiring must meet all local and national electrical code requirements. The electrical source and fan must be 110/120 volt, 60Hz.



CAUTION: If other fan wires are a different color, have this unit installed by a licensed electrician.

- Position the remote control/receiver (K) flat side up and perpendicular to the slide-on mounting bracket (A).
- Position the supply wires to the left side of the slide-on mounting bracket (A), and position the fan wires to the right side.
- Partially insert the remote control/receiver (K) flat side up until one end rests on the ball/downrod assembly (B).



Assembly - Hanging the Fan (continued)

8 Making the electrical connection

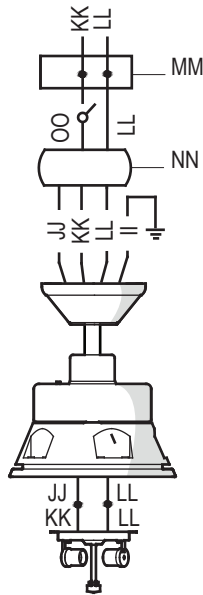


WARNING: Each wire nut supplied with this fan is designed to accept up to one 12-gauge house wire and two wires from the fan. If you have larger than 12-gauge house wiring or more than one house wire to connect to the fan wiring, consult an electrician for the proper size wire nuts to use.



IMPORTANT: Use the plastic wire connecting nuts (BB) supplied with your fan and remote control. Secure the connectors with electrical tape and ensure there are no loose strands or connections.

- Connect the ground conductor of the 120-Volt supply (this may be a bare wire or a wire with green colored insulation) to the green ground lead(s) (II) of the fan using a wire connecting nut (BB).
- Connect the fan motor white wire (LL) to the receiver (NN) white wire (LL) using a plastic wire connecting nut (BB).
- Connect the fan motor black wire (KK) to the receiver (NN) black wire (KK) using a plastic wire connecting nut (BB).
- Connect the fan motor blue wire (JJ) to the receiver (NN) blue wire (JJ) using a plastic wire connecting nut (BB).
- Connect the receiver (NN) red wire (OO) to the supply black (hot) wire (KK) using a plastic wire connecting nut (BB).
- Connect the receiver (NN) white wire (LL) to the supply white wire (neutral) (LL) wire using a plastic wire connecting nut (BB).
- After connecting the wires, spread them apart so that the green (II) and white (LL) wires are one side of the outlet box (MM) and the black wire (KK) is on the other side.
- Turn the plastic wire connecting nuts upward, and carefully push the wiring into the outlet box (MM).

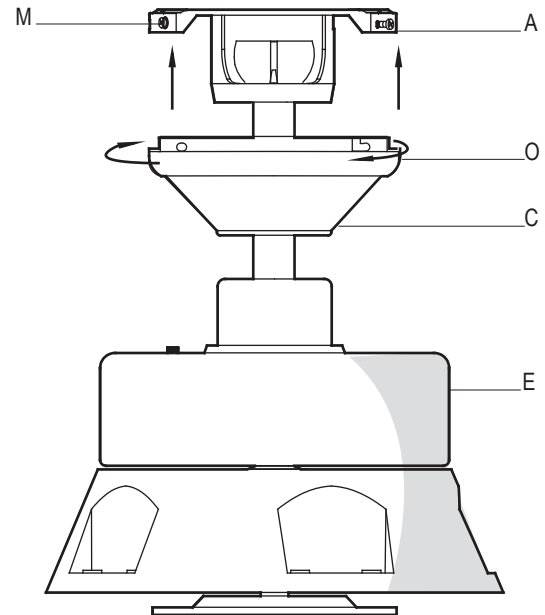


9 Mounting the fan



WARNING: When using the standard ball/downrod mounting, the tab in the ring at the bottom of the mounting bracket must rest in the groove of the hanger ball. Failure to properly seat the tab in the groove could cause damage to the wiring.

- Align the locking slots of the canopy (C) with the two screws in the slide-on mounting bracket (A). Push up to engage the slots, and turn clockwise to lock the canopy (C) in place.
- Firmly tighten the two mounting screws (M).
- Install the remaining two mounting screws (M) into the holes in the canopy (C) and tighten firmly.
- Install the canopy ring (O) by aligning the ring's slots with the screws in the canopy (C). Rotate the ring counter-clockwise to lock it in place.



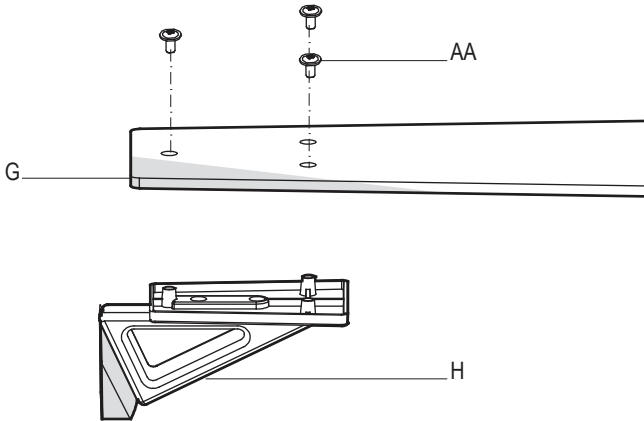
Assembly - Attaching the Fan Blades

10 Attaching the fan blades



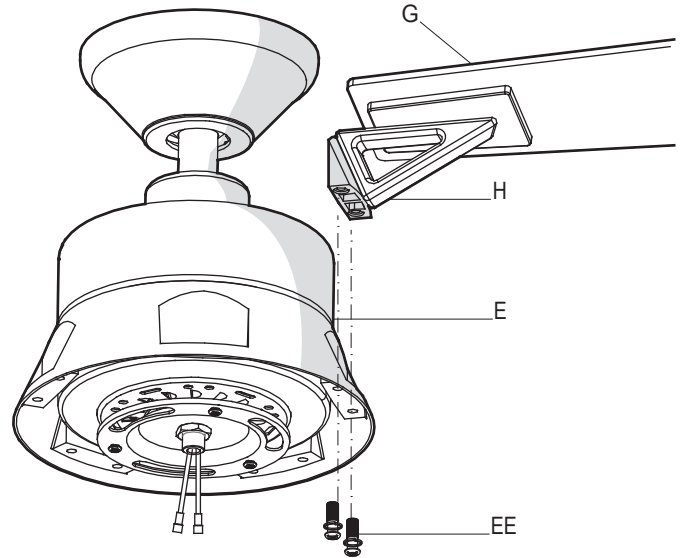
NOTE: Your fan blades are reversible. Select the blade side finish which best accentuates your decor.

- Attach the blade (G) to the blade bracket (H) using the blade attachment screws (AA). Start a blade attachment screw (AA) into the blade bracket (H). Repeat for the two remaining blade attachment screws (AA).
- Tighten each blade attachment screw (AA) securely.



11 Attaching the blade assemblies

- Attach the blade assembly to the fan-motor assembly (E) by aligning the two holes of blade bracket (H) with the two holes of the fan-motor assembly (E).
- Insert a blade bracket screw with lockwasher (EE) into the blade bracket (H). Repeat for the one remaining screw.
- Tighten each blade bracket screw with lockwasher (EE) securely.
- Repeat these steps for the remaining blades (G).



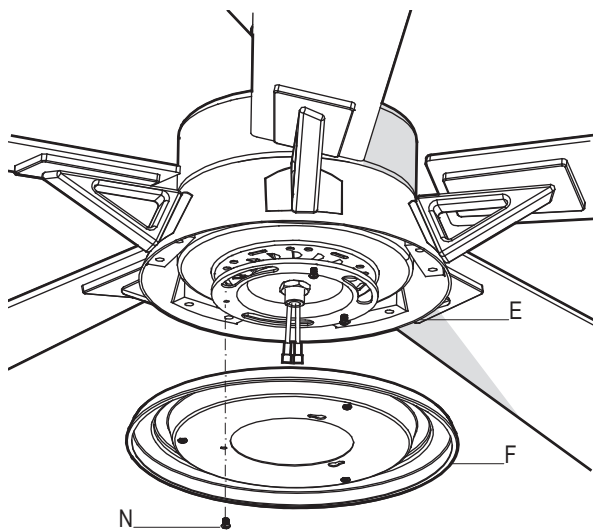
Assembly - Attaching the Light Kit

12 Attaching the light kit pan



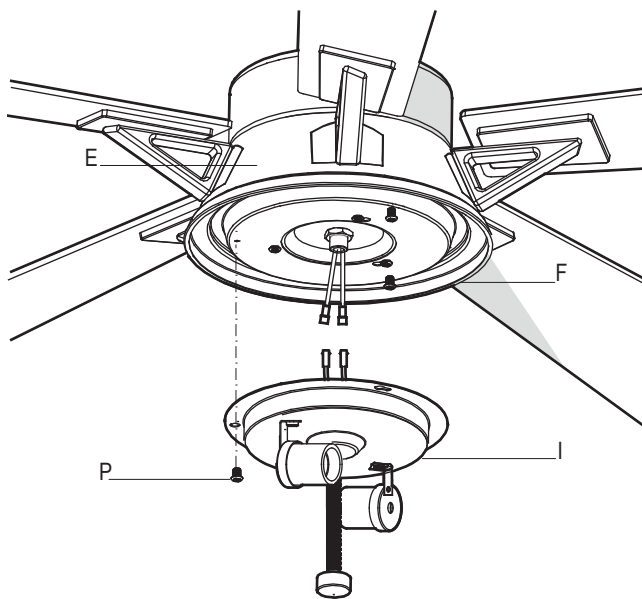
CAUTION: To reduce the risk of electric shock, disconnect the electrical supply circuit to the fan before installing the light kit.

- Remove one screw (N) from the black bracket below the fan-motor assembly (E). Loosen, but do not remove the other two screws.
- Attach the light kit pan (F) to the fan-motor assembly (E) by securing them with the two screws (N) loosened in the first step. Push the light kit pan (F) up to engage the screw heads in the screw slots and turn to secure. Re-install the screw (N) removed in the first step. Tighten each screw firmly.



13 Attaching the light kit

- Remove one screw (P) from the light kit pan (F). Loosen, but do not remove the other two screws.
- Connect the blue wire exiting the bottom of the fan-motor assembly (E) with the black wire from the top of the light kit fitter assembly (I).
- Connect the white wire exiting the bottom of the fan-motor assembly (E) with the white wire from the top of the light kit fitter assembly (I).
- Attach the light kit fitter (I) to the light kit pan (F) by securing them with the two screws (P) loosened in the first step. Push the light kit fitter assembly (I) up to engage the screw heads in the screw slots and turn to secure. Re-install the screw (P) removed in the first step. Tighten each screw firmly.

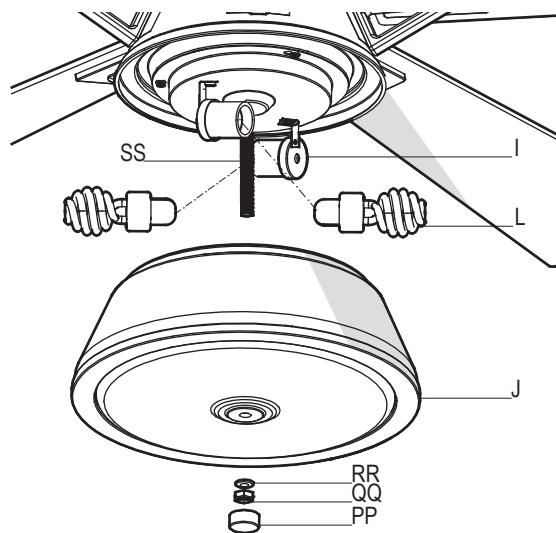


14 Installing the light bulbs and glass bowl



WARNING: Do not overtighten when installing the glass shade into the light kit assembly. Allow the glass shade to cool completely before removing.

- With the power off, install the light bulbs (L) (Max. 14W, provided) into the light bulb sockets.
- Remove the finial (PP), hex nut (QQ), and rubber washer (RR) from the threaded nipple (SS) of light kit fitter assembly (I). Place the threaded nipple through the centre hole of the glass bowl (J). Re-install the rubber washer (RR), hex nut (QQ), and finial (PP).



Operation



NOTE: The reverse switch is located at the top of motor housing. Shut the fan off and wait until the blades have completely stopped before flipping the switch to reverse the direction of your ceiling fan.

Remote Control - Your fan is equipped with a remote control to operate the speed and lights of your new ceiling fan.

The appropriate speed settings for warm or cool weather depend on factors such as the room size, ceiling height, and number of fans.

The fan is shipped from the factory with the reversing switch positioned to circulate air downward. If airflow is desired in the opposite direction, turn your fan off and wait for the blades to stop turning. Slide the reversing switch (located at the top of the motor housing) to the opposite position, and turn the fan on again. The fan blades will turn in the opposite direction and reverse the airflow.

1. **Speed** - The remote features Low, Med, Hi and Off buttons to select the desired speed of operation and turn the fan On or Off.

2. **Light** - To control the light kit, the remote features a Light On/Off button.

Operating the fan

High button = High speed

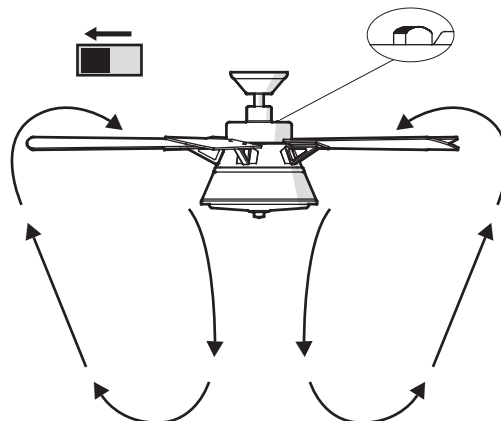
Medium button = Medium speed

Low button = Low speed

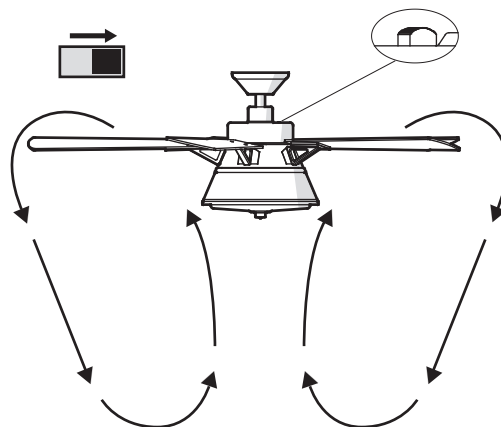
Off button = Power off

Light On/Off= Turn light on or off

Warm weather - (Forward) A downward airflow creates a cooling effect. This allows you to set your air conditioner on a warmer setting without affecting your comfort.



Cool weather - (Reverse) An upward airflow moves warm air off of the ceiling. This allows you to set your heating unit on a cooler setting without affecting your comfort.



Care and Cleaning



WARNING: Make sure the power is off before cleaning your fan.

- Because of the fan's natural movement, some connections may become loose. Check the support connections, brackets, and blade attachments twice a year. Make sure they are secure. It is not necessary to remove the fan from the ceiling.
- Clean your fan periodically to help maintain its new appearance over the years. Do not use water when cleaning, as this could damage the motor, or the wood, or possibly cause an electrical shock. Use only a soft brush or lint-free cloth to avoid scratching the finish. The plating is sealed with a lacquer to minimize discoloration or tarnishing.
- You can apply a light coat of furniture polish to the wood for additional protection and enhanced beauty. Cover small scratches with a light application of shoe polish.
- You do not need to oil your fan. The motor has permanently-lubricated sealed ball bearings.

Troubleshooting

Problem	Solution
The fan will not start.	<ul style="list-style-type: none">□ Check the main and branch circuit fuses or breakers.□ Check the line wire connections to the fan and switch wire connections in the switch housing.□ Check the battery in the remote control.□ Ensure you are in the normal range of 10-20 feet.□ Turn the power off and ensure that the dip switch settings are the same on the remote control and receiver.
The fan is noisy.	<ul style="list-style-type: none">□ Ensure all motor housing screws are snug.□ Ensure the screws that attach the fan blade bracket to the motor hub are tight.□ Ensure the wire nut connections are not rattling against each other or the interior wall of the switch housing.□ Allow a 24-hour "breaking in" period. Most noises associated with a new fan disappear during this time.□ If you are using the ceiling fan light kit, ensure the screws securing the glassware are tight. Check that the light bulbs are also secure.□ Ensure the canopy is a short distance from the ceiling. It should not touch the ceiling.□ Ensure your outlet box is secure and rubber isolator pads were used between the mounting plate and outlet box.
The fan wobbles.	<ul style="list-style-type: none">□ Check that all blade and blade arm screws are secure.□ Most fan wobble problems are caused when blade levels are unequal. Check this level by selecting a point on the ceiling above the tip of one of the blades. Measure from a point on the center of each blade to the point on the ceiling. Measure this distance. Rotate the fan until the next blade is positioned for measurement. Repeat for each blade. Any measurement deviation should be within 1/8 in. Run the fan for ten minutes. If the fan continues to wobble please contact Customer Service and a balacing kit will be sent to you at no charge.



Questions, problems, missing parts? Before returning to the store,
call Hampton Bay Customer Service
8 a.m. - 6 p.m., EST, Monday-Friday

1-877-527-0313

HAMPTONBAY.COM

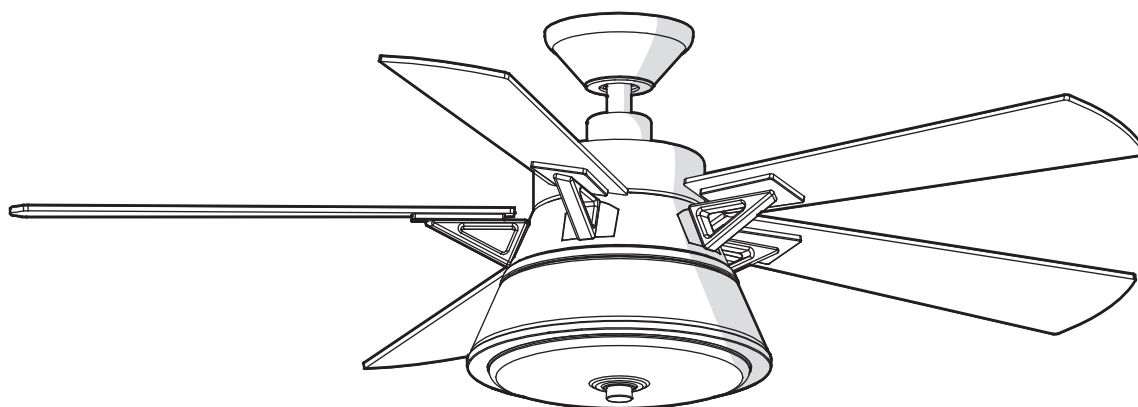
Retain this manual for future use.



Artículo Núm. 610-015, 608-891
Modelo Núm. 51398, 51399
Modelo Núm. 52-MAL Aprobado
por UL

GUÍA DE USO Y MANTENIMIENTO

VENTILADOR DE TECHO MARLOWE, DE 52 PLG (1,32 M)



¿Preguntas, problemas o piezas faltantes? Antes de regresar a la tienda,
llama al Servicio al Cliente de Hampton Bay
de Lunes a Viernes entre 8 a.m. y 6 p.m., (Hora del Este de EE. UU.)

1-877-527-0313

HAMPTONBAY.COM

GRACIAS POR TU COMPRA

Apreciamos la confianza que has depositado en Hampton Bay al comprar este ventilador de techo. Nos esforzamos para continuamente crear productos de calidad diseñados para tu hogar. Visítanos por Internet para ver nuestra línea completa de productos disponibles para las necesidades de mejoras de tu hogar. ¡Gracias por elegir Hampton Bay!

Tabla de Contenido

Tabla de Contenido	2	Ensamblaje.....	7
Información de Seguridad	2	Funcionamiento	13
Garantía	3	Mantenimiento y Limpieza.....	14
Preinstalación	3	Solución de Problemas	14
Instalación.....	6		

Información de Seguridad

1. Todo el cableado debe cumplir con el Código Nacional de Electricidad ANSI/NFPA 70-1999 y con los códigos locales de electricidad. La instalación eléctrica debe ser hecha por un electricista certificado y calificado.
2. La caja eléctrica y estructura de soporte deben montarse de forma segura y tener capacidad para sostener de manera confiable 35 lb. Usa solamente cajas eléctricas aprobadas por UL marcadas como "Aprobada como soporte de ventiladores de 35 lb (15,9 kg) o menos."
3. El ventilador debe ir montado con un mínimo de 7 pies (2 m) de separación entre el borde trasero de las aspas y el piso.
4. No muevas el interruptor de reversa mientras las aspas del ventilador estén en movimiento. Debes apagar y detener las aspas antes de invertir la dirección de las aspas.
5. No coloques objetos en la trayectoria de las aspas.
6. Los diagramas eléctricos son sólo para referencia. Los kits de luces no empaquetados con el ventilador deben estar aprobados por UL y marcados como apropiados para ser usados con el modelo de ventilador a instalar. Los interruptores deberán estar clasificados por el UL como de uso general. Consulta las instrucciones adjuntas a los kits de luces e interruptores para obtener información sobre el ensamblaje adecuado.
7. Después de concluir con las conexiones eléctricas, debes voltear los conductores empalmados hacia arriba y empujarlos con cuidado dentro de la caja eléctrica. Los cables deben estar separados con el cable a tierra y el conductor a tierra del equipo, hacia uno de los lados de la caja eléctrica.
8. Todos los tornillos de fijación se deben verificar y ajustar donde sea necesario antes de la instalación.



ADVERTENCIA: Para reducir el riesgo de lesiones personales, no dobles los soportes de las aspas (también llamados "bridas") durante o después de la instalación. No coloques objetos en la trayectoria de las aspas.



ADVERTENCIA: Para reducir el riesgo de incendio, descarga eléctrica o lesiones personales, monta el ventilador sobre una caja eléctrica marcada como "aprobada como soporte de ventiladores de 35 lb (15,9 kg) o menos", y usa los tornillos de montaje que vienen con la misma.



ADVERTENCIA: Para reducir el riesgo de incendio o descarga eléctrica, no utilices este ventilador con ningún dispositivo de control de velocidad de estado sólido.



ADVERTENCIA: Para evitar una posible descarga eléctrica, desconecta la electricidad de la caja de fusibles principal antes de realizar el cableado. Si crees que no tienes suficiente conocimiento o experiencia sobre cableado eléctrico, contacta a un electricista certificado.



ADVERTENCIA: Los diagramas eléctricos son sólo para referencia. Cualquier kit de luces opcional debe estar aprobado por UL y estar marcado como adecuado para ser usado con este ventilador.



ADVERTENCIA: Para disminuir el riesgo de incendio o descarga eléctrica este ventilador sólo debe ser usado con un control de velocidad con el núm. de pieza FAN28R-240W, fabricado por Chia Wei Electric Co., LTD.



PRECAUCIÓN: Para reducir el riesgo de lesiones físicas, usa sólo los tornillos provistos con la caja eléctrica.



PRECAUCIÓN: Para evitar lesiones físicas o daños al ventilador y otros artículos, ten cuidado al limpiar o trabajar cerca del ventilador.



PRECAUCIÓN: Cambios o modificaciones sin la aprobación expresa por el partido responsable del cumplimiento pueden anular la autoridad para operar el equipo.

Este aparato cumple con parte 15 de las reglas FCC. Operación esta sujeto a las próximas condiciones. (1) este aparato no puede causar interferencia perjudicial y (2) este aparato tiene que aceptar cualquier interferencia recibida, incluyendo interferencia que puede causar operación no deseado.

Garantía

A partir de la fecha de compra por el comprador original, el proveedor garantiza de por vida, que el motor del ventilador no presenta defectos de fabricación ni de material desde la fecha de salida de la fábrica. El proveedor también garantiza por un período de un año, a partir de la fecha de compra por el comprador original, que todas las demás piezas del ventilador, sin incluir ningún aspa de vidrio o acrílico, no presentarán ningún defecto de fabricación o de material en el momento de su salida de la fábrica. Acordamos reparar todos los defectos del tipo antes mencionado, sin cargo alguno, o a nuestra discreción, reemplazar el producto por un modelo de calidad comparable o superior si el producto se devuelve. Para obtener servicio de garantía usted debe presentar una copia del recibo como comprobante de compra. Todos los costos de retiro y reinstalación del producto son su responsabilidad. Daños a cualquiera de las piezas como resultado de accidentes, instalación o uso incorrecto o debidos a la instalación de cualquier accesorio, no están cubiertos bajo esta garantía. Debido a que las condiciones climáticas pueden variar, esta garantía no cubre ningún cambio del acabado en bronce, incluyendo óxido, perforación, corrosión, manchas o descascamiento. Los acabados en bronce de este tipo tienen una vida útil más prolongada cuando se protegen de las condiciones climáticas cambiantes. Es normal cierta "oscilación" y no debe ser considerado como un defecto. Cualquier servicio técnico conducido por personas no autorizadas anulará la garantía. No hay ninguna otra garantía expresa. Mediante la presente Hampton Bay se exime de cualquier garantía, incluyendo pero sin limitarse a aquellas de comercialización e idoneidad para un fin particular, de acuerdo a lo contemplado por la ley. La duración de cualquier garantía implícita que no se pueda eximir, está limitada al período de tiempo especificado en la garantía explícita. Algunos estados no permiten una limitación en la duración de la garantía, por consiguiente la limitación anterior puede no aplicarse a su caso. El minorista no será responsable por daños directos, indirectos o especiales que resulten o deriven del uso o rendimiento del producto excepto en casos en que lo estipule la ley. Algunos estados no permiten la exclusión o limitación de daños directos o indirectos, por lo que la limitación o exclusión anterior podría no aplicarse a su caso. Esta garantía le otorga derechos legales específicos pero es posible que también tenga otros derechos que varían de un estado a otro. Esta garantía sustituye todas las garantías anteriores. Los costos de envío de cualquier devolución de productos hecha como parte de una reclamación de garantía deben ser pagados por el cliente.

Comuníquese con el Equipo de Servicio al Cliente llamando al 1-877-527-0313 o visite www.HamptonBay.com.

Preinstalación

ESPECIFICACIONES

Tamaño	Velocidad	Voltios	Amperios	Watts	RPM	PCM	Peso Neto	Peso Bruto	Pies cúbicos
52 plg (1,32 m)	Baja	120	0,33	13,6	70	2613	22,49 lb (10,2 kg)	26,24 lb (11,9 kg)	2,3'
	Media		0,45	30,1	110	4030			
	Alta		0,56	65,2	165	5924			



NOTA: Estas medidas son aproximadas. No incluyen ni el amperaje ni el vataje consumido por el kit de luces.



HERRAMIENTAS NECESARIAS



Destornillador
Phillips



Destornillador
plano



Llave
ajustable



Cinta de
electricista



Cortacables



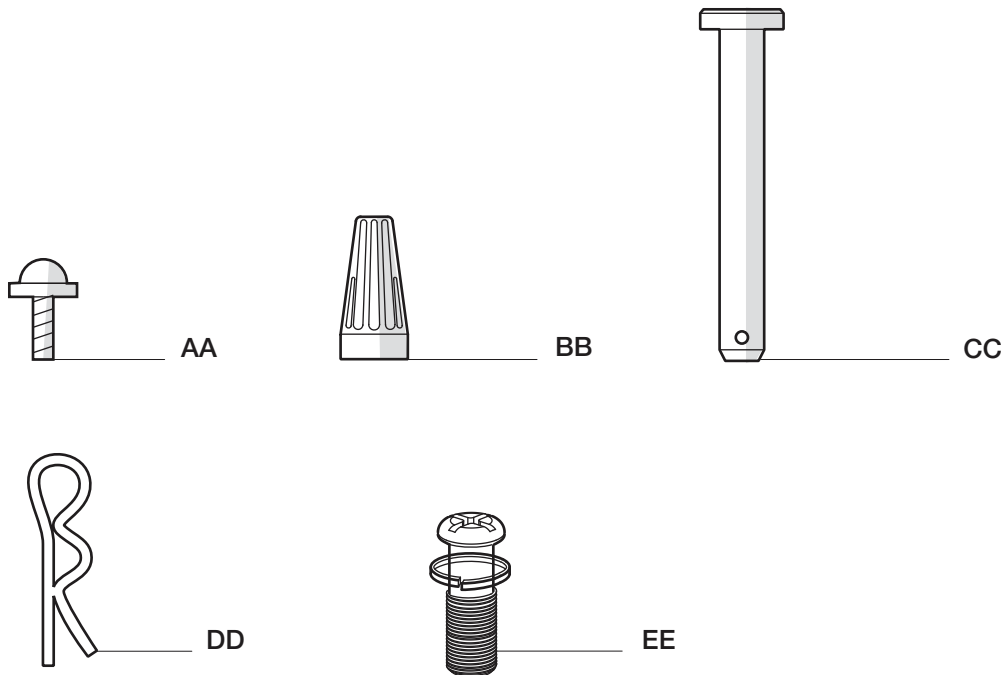
Escalera

Preinstalación (continuación)

HERRAJES INCLUIDOS



NOTA: No se muestra el tamaño real de los herrajes.



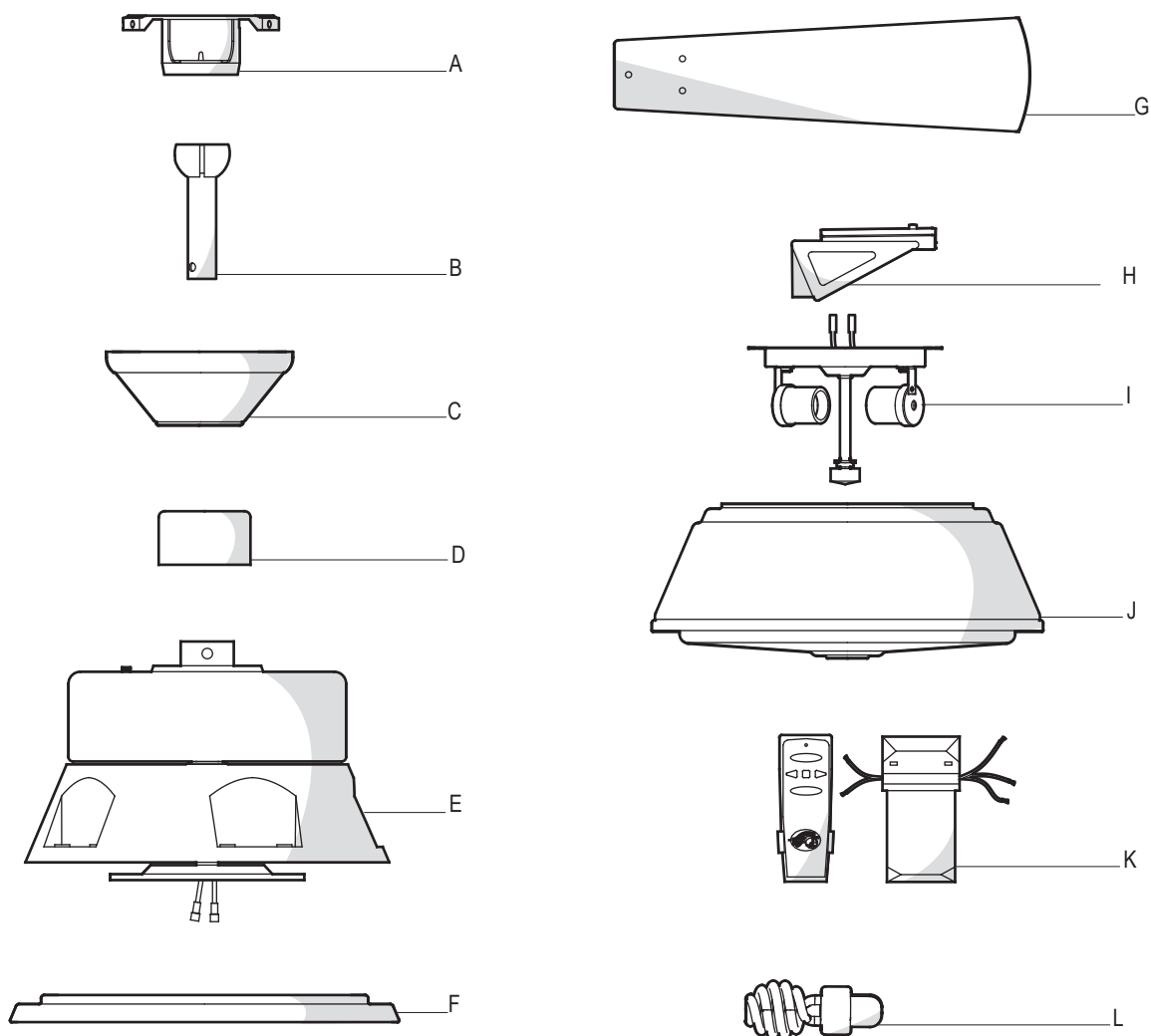
Pieza	Descripción	Cantidad
AA	Tornillos para el montaje de aspas	16
BB	Tuerca de plástico para conectar cables	3
CC	Pasador de soporte	1

Pieza	Descripción	Cantidad
DD	Pasador de cierre	1
EE	Tornillo adicional para soporte de aspas con contratuerca	11

t

Preinstalación (continuación)

CONTENIDO DEL PAQUETE



Pieza	Descripción	Cantidad
A	Soporte de montaje deslizante (dentro de la cubierta)	1
B	Ensamblaje de tubo bajante/bola	1
C	Cubierta con aro incorporado	1
D	Cubierta decorativa del collarín del motor	1
E	Ensamblaje del motor del ventilador	1
F	Carcasa del kit de luces	1

Pieza	Descripción	Cantidad
G	Aspa	5
H	Soporte de aspa	5
I	Ensamblaje del soporte del kit de luces	1
J	Tazón de vidrio	1
K	Control remoto/receptor (baterías incluidas)	1
L	Bombilla CFL, máximo de 14 W	2



IMPORTANTE: Este producto y/o sus componentes están protegidos por una o más de las siguientes Patentes de los EE. UU.: 5,947,436; 5,988,580; 6,010,110; 6,046,416, 6,210,117 y otras patentes pendientes.

Instalación

OPCIONES DE MONTAJE

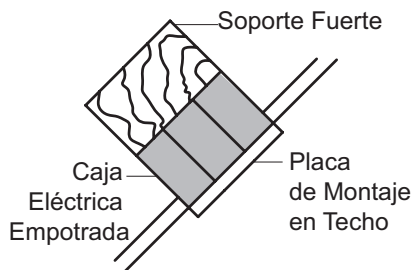
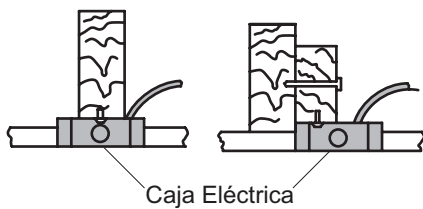
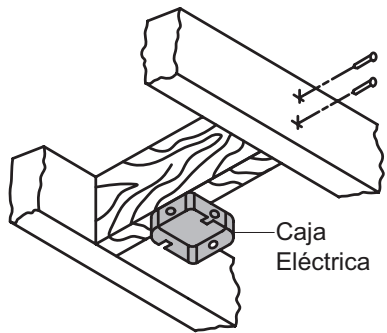


ADVERTENCIA: Para reducir el riesgo de incendio, descarga eléctrica o lesiones personales, monta el ventilador sobre una caja eléctrica marcada como "aprobada como soporte de ventiladores de 35 lb (15,9 kg) o menos", y usa los tornillos de montaje que vienen con la misma. Las cajas eléctricas utilizadas comúnmente para el soporte de artículos de iluminación pueden no servir como soporte de ventilador, y tal vez deban reemplazarse. En caso de duda, consulta a un electricista calificado.

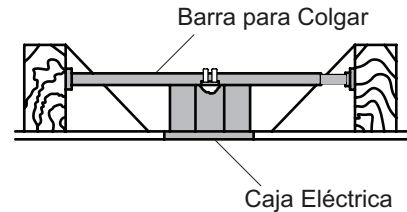
Si tu ventilador de techo no tiene una caja de montaje aprobada por UL, instala una siguiendo las instrucciones a continuación:

- Desconecta la energía retirando los fusibles o apagando los cortacircuitos.
- Asegura la caja eléctrica directamente a la estructura del edificio. Usa sujetadores y materiales apropiados. La caja eléctrica y su soporte deben poder sostener el peso completo del ventilador en movimiento (al menos 35 lb). No uses una caja eléctrica de plástico.

Las ilustraciones a continuación muestran tres formas distintas de montar la caja eléctrica.



NOTA: Tal vez necesites un tubo bajante más largo para mantener la altura mínima adecuada de las aspas, al instalar el ventilador en un techo inclinado. El ángulo máximo permitido es de 28° de la posición horizontal.



Si la cubierta (C) toca el ensamblaje del tubo bajante/bola (B), retira la tapa inferior decorativa de la cubierta y gira la cubierta (C) 180° antes de fijarla a la placa de montaje.

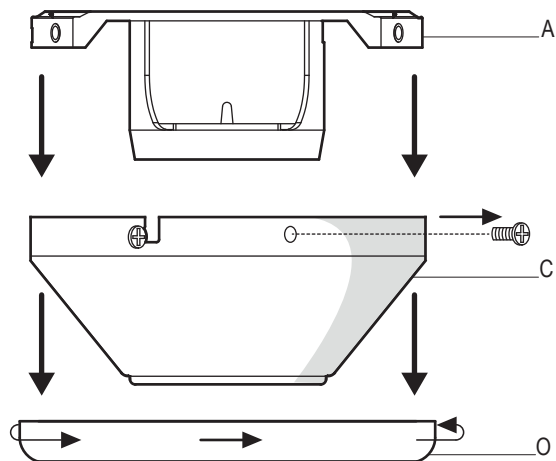
Para colgar el ventilador donde ya haya una lámpara pero ninguna viga de techo, tal vez necesites una barra colgante como se mostró anteriormente

(disponible en cualquier tienda de The Home Depot).

Ensamblaje – Montaje Estándar en Techo

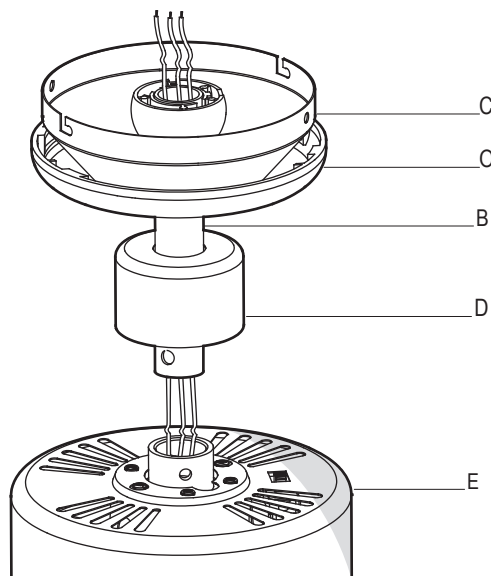
1 Preparación para el montaje

- ❑ Retira el aro (O) de la cubierta (C), girándolo hacia la derecha hasta soltarlo.
- ❑ Retira el soporte de montaje (A) de la cubierta (C) aflojando los cuatro tornillos en la parte superior de la cubierta (C).
- ❑ Quita los dos tornillos sin ranura y afloja los tornillos ranurados. Esto te permitirá retirar el soporte de montaje (A).



2 Disposición de los cables

- ❑ Inserta los cables que salen por la parte superior del motor del ventilador (E) en la cubierta decorativa del collarín del motor (D) y a través del aro de la cubierta (O).
- ❑ Asegúrate de que las aberturas en forma de ranura estén en la parte superior y, primero, inserta los cables por la cubierta (C), y luego a través del ensamblaje de tubo bajante/bola (B).

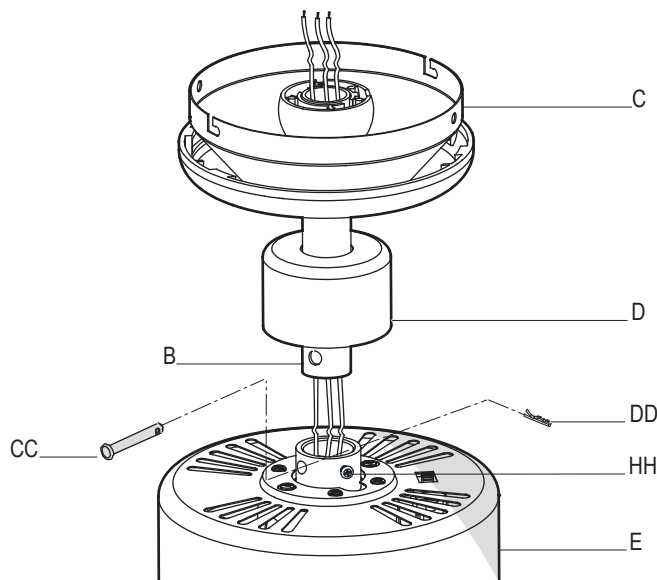


3 Cómo ensamblar el ventilador



ADVERTENCIA: Si no instalas correctamente el pasador de cierre es posible que el ventilador se afloje y se caiga.

- ❑ Afloja, sin quitar, los tornillos (HH) del collarín ubicados en la parte superior del ensamblaje del motor del ventilador (E).
- ❑ Alinea los orificios en la parte inferior del ensamblaje del tubo bajante/bola (B) con los orificios en el collarín de la parte superior del ensamblaje del motor del ventilador (E).
- ❑ Inserta con cuidado el pasador de soporte (CC) a través de los orificios del collarín y del ensamblaje del tubo bajante/bola (B). Ten cuidado de no forzar el pasador de soporte (CC) contra el cableado dentro del ensamblaje del tubo bajante/bola (B).
- ❑ Inserta el pasador de cierre (DD) en el orificio cercano al extremo del pasador de sujeción (CC) hasta que quede encajado en su posición.
- ❑ Vuelve a apretar los tornillos (HH) del collarín ubicados en la parte superior del ensamblaje del motor del ventilador (E).



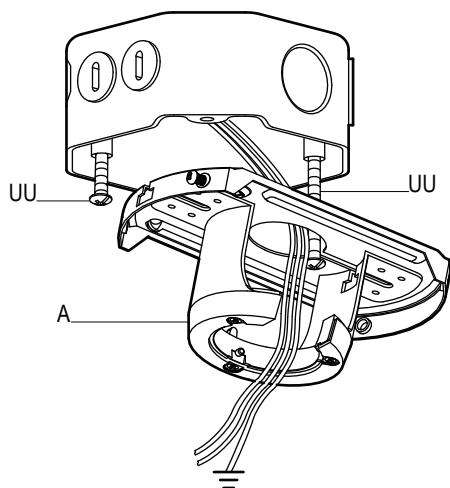
Ensamblaje – Cómo Colgar el Ventilador

4 Cómo fijar el ventilador a la caja eléctrica



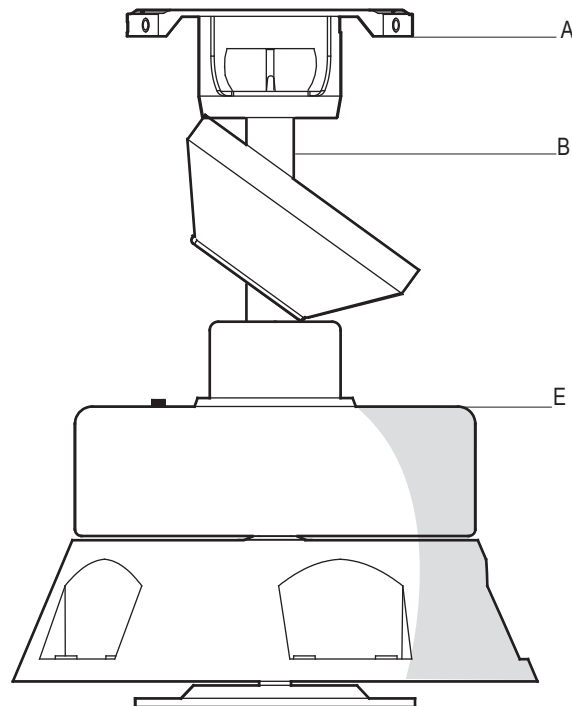
ADVERTENCIA: Para reducir el riesgo de incendio, descarga eléctrica o lesiones personales, monta el ventilador sobre una caja eléctrica marcada como "aprobada como soporte de ventiladores de 35 lb (15,9 kg) o menos", y usa los tornillos de montaje que vienen con la caja eléctrica.

- Pasa los cables de suministro de 120 Voltios a través del orificio central en el soporte de montaje deslizante (A).
- Instala el soporte de montaje de techo sobre la caja eléctrica deslizando el soporte de montaje (A) sobre los dos tornillos (UU) suministrados con la caja eléctrica. Si es necesario, usa arandelas niveladoras (no incluidas) entre el soporte de montaje deslizante (A) y la caja eléctrica. Fíjate que el lado plano del soporte de montaje (A) esté hacia la caja eléctrica.
- Ajusta firmemente los dos tornillos de montaje (UU).



5 Cómo colgar el ventilador

- Con cuidado alza el ensamblaje del motor del ventilador (E) hasta el soporte de montaje deslizante (A).
- Coloca la bola de soporte del ensamblaje del tubo bajante/bola (B) en el soporte de montaje. Asegúrate de que la pestaña sobre el soporte de montaje deslizante (A) encaje bien dentro de la ranura de la bola de soporte.



Ensamblaje – Cómo Colgar el Ventilador (continuación)

6 Cómo configurar los códigos del control remoto



NOTA: Las frecuencias del receptor y control remoto han sido preconfiguradas en la fábrica. Antes de instalar el receptor, asegúrate de que los interruptores en el transmisor y del control remoto estén configurados en la misma frecuencia. Los interruptores en el transmisor del control remoto están ubicados dentro del compartimento de la batería.



NOTA: Este control remoto está equipado con 16 combinaciones de códigos. Para evitar posibles interferencias desde o hacia otras unidades de control remoto como los abrepuertas de garajes, alarmas de autos o sistemas de seguridad, cambia el código de combinación pero asegúrate de que el código del transmisor de mano y el del receptor del ventilador sean iguales.

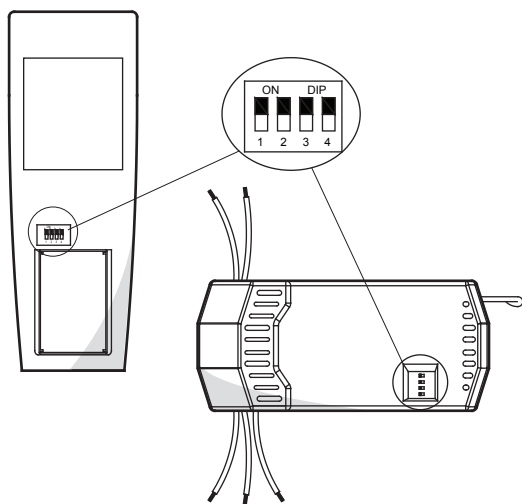
Para configurar el código del control remoto:

- Quita la cubierta de la batería presionando con firmeza en la flecha y deslizando la cubierta hasta soltarla.
- Desliza los interruptores de código según tu elección hacia arriba o hacia abajo. Las configuraciones de fábrica son hacia arriba.
- Instala una batería de 9 V (incluida) en el control remoto.
- Coloca de nuevo la cubierta en el control remoto.

Para configurar el código del receptor:

- Desliza los interruptores de código hacia la misma posición que elegiste para el control remoto.

Modelo del Controlador: FAN28R-240W



7 Cómo instalar el receptor

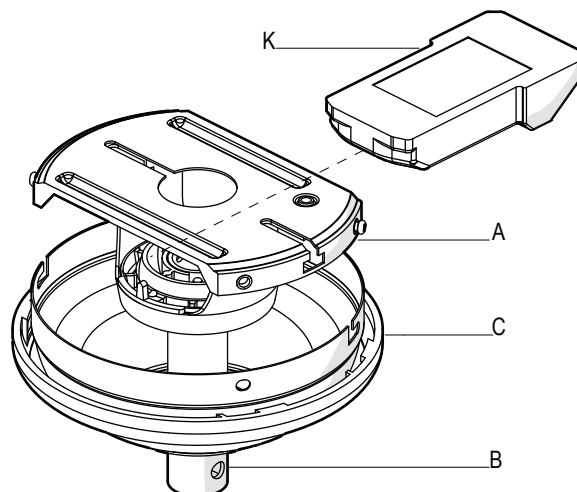


ADVERTENCIA: Para reducir el riesgo de incendio o de descarga eléctrica, recuerda desconectar la electricidad. El cableado eléctrico debe cumplir todos los requisitos del código nacional de electricidad y los códigos locales de electricidad. Las fuentes de energía y el ventilador deben ser de 110/120 V y 60 Hz.



PRECAUCIÓN: Si otros cables del ventilador son de color diferente, un electricista certificado deberá instalar esta unidad.

- Posiciona el control remoto/receptor (K) con el lado plano hacia arriba y perpendicular al soporte de montaje (A).
- Ubica los cables de suministro en el lado izquierdo del soporte de montaje deslizante (A), y coloca los cables del ventilador en el lado derecho.
- Inserta parcialmente el receptor del control remoto (K) con el lado plano hacia arriba, hasta que un extremo descansa sobre el ensamblaje del tubo bajante/bola (B).



Ensamblaje – Cómo Colgar el Ventilador (continuación)

8 Cómo hacer las conexiones eléctricas

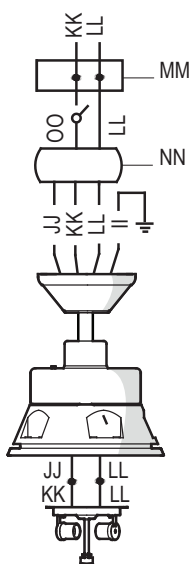


ADVERTENCIA: Cada cable no suministrado con este ventilador está diseñado para aceptar hasta un circuito eléctrico de casa de calibre 12 y dos cables del ventilador. Si tienes un cableado superior a calibre 12 o más de un cable para conectar al ventilador, consulta a un electricista para conocer el tamaño adecuado de las tuercas a usar.



IMPORTANTE: Usa las tuercas de plástico para conectar cables (BB) incluidas con tu ventilador y el control remoto. Amarra los conectores con cinta eléctrica y asegúrate de que no haya cables o conexiones sueltas.

- Conecta el conductor a tierra del cable de 120 Voltios (puede ser un cable desnudo o un cable con aislante verde) al (los) cable(s) terminal(es) a tierra verde(s) (II) del ventilador usando una tuerca de plástico para conexión de cables (BB).
- Conecta el cable blanco del motor del ventilador (LL) al cable blanco (LL) del receptor (NN) usando un conector de cables plástico (BB).
- Conecta el cable negro del motor del ventilador (KK) al cable negro (KK) del receptor (NN) usando un conector de cables plástico (BB).
- Conecta el cable azul del motor del ventilador (JJ) al cable azul (JJ) del receptor (NN) usando un conector de cables plástico (BB).
- Conecta el cable rojo (OO) del receptor (NN) al cable negro (positivo) de suministro de energía (KK) usando un conector de cables plástico (BB).
- Conecta el cable blanco (LL) del receptor (NN) al cable blanco (neutro) (LL) de suministro usando un conector de cables plástico (BB).
- Después de conectar los cables, sepáralos de manera que los cables verde (II) y blanco (LL) queden de un lado de la caja eléctrica (MM) y el cable negro (KK) del otro lado.
- Gira las tuercas de conexión del cable hacia arriba y con cuidado coloca el cableado dentro de la caja eléctrica (MM).

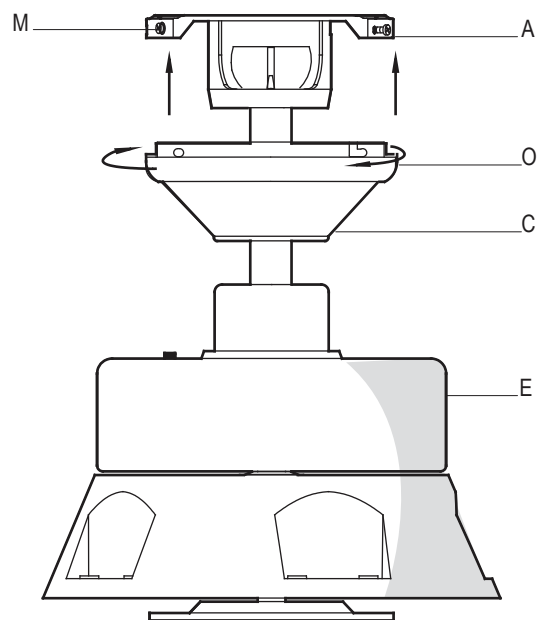


9 Cómo montar el ventilador



ADVERTENCIA: Cuando uses el ensamblaje del tubo bajante/bola estándar, la pestaña en el aro en la parte inferior del soporte de montaje debe encajar en la ranura de la bola de soporte. Si la pestaña no se asienta correctamente en la ranura, se puede dañar el cableado.

- Alinea las ranuras de cierre de la cubierta (C) con los dos tornillos del soporte deslizante de montaje (A). Alza para enganchar las ranuras y gira de izquierda a derecha para asegurar la cubierta (C) en su sitio.
- Ajusta firmemente los dos tornillos de montaje (M).
- Instala los dos tornillos de montaje restantes (M) en los orificios de la cubierta (C) y aprieta firmemente.
- Instala el aro de cubierta (O) alineando las ranuras del aro con los tornillos en la cubierta (C). Rota el aro en sentido contrario a las manecillas del reloj para fijarlo.



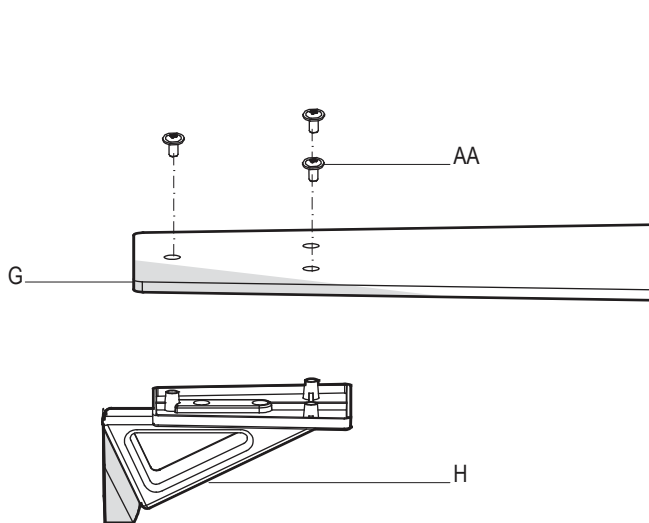
Ensamblaje – Cómo Unir las Aspas del Ventilador

10 Cómo unir las aspas del ventilador



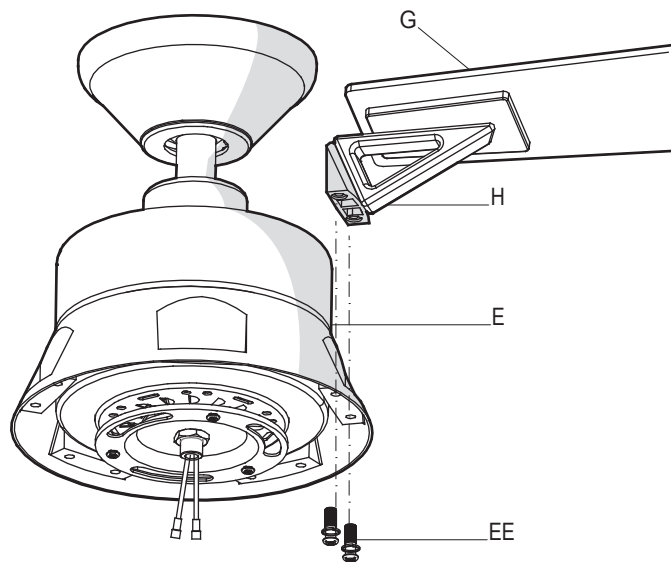
NOTA: Las aspas de tu ventilador son reversibles. Elige el acabado del aspa que mejor resalte tu decoración.

- Monta el aspa (G) al soporte de la misma (H) usando los tornillos para montar las aspas (AA). Monta un tornillo para montar las aspas (AA) en el soporte del aspa (H). Repite el proceso para los dos tornillos de montaje de aspas (AA) restantes.
- Aprieta cada tornillo para montar las aspas (AA) de forma segura.



11 Cómo montar las aspas ensambladas

- Coloca el aspa en la carcasa del motor del ventilador (E) alineando los dos orificios del soporte del aspa (H) con los dos orificios del ensamblaje del motor del ventilador (E).
- Inserta el tornillo para soporte (EE) en el soporte del aspa (H). Repite el paso con el otro tornillo.
- Aprieta cada tornillo del soporte (EE) de forma segura.
- Repite estos pasos para las aspas restantes (G).



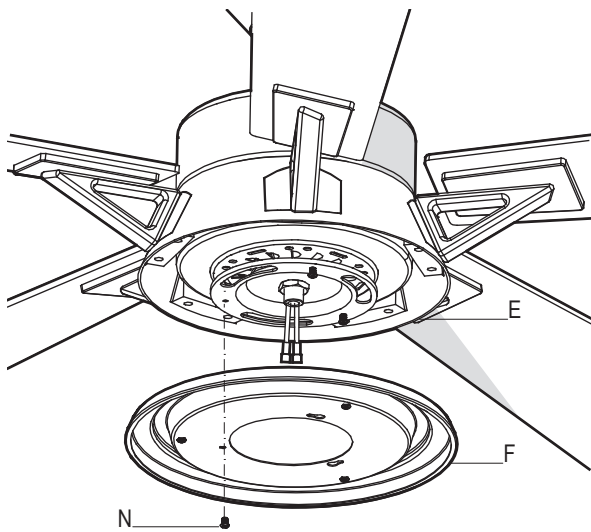
Ensamblaje – Cómo Instalar el Kit de Luces

12 Cómo instalar la carcasa del kit de luces



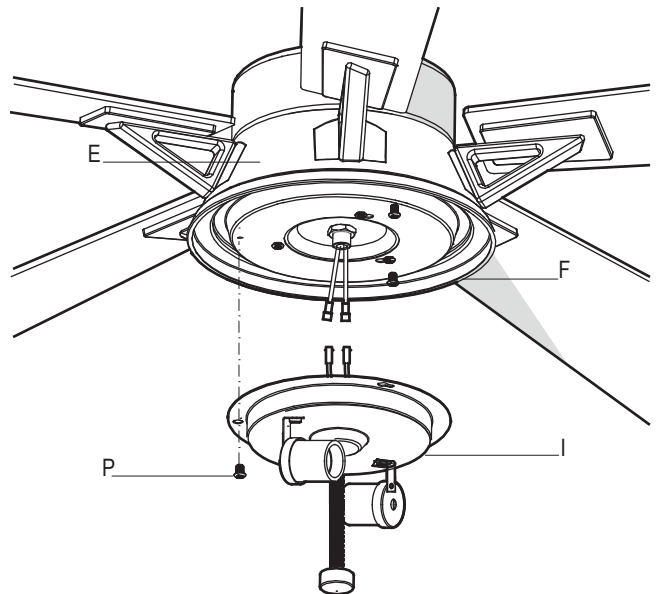
PRECAUCIÓN: Para disminuir el riesgo de descarga eléctrica, desconecta el circuito de energía del ventilador antes de instalar el kit de luces.

- Quita un tornillo (N) del soporte negro debajo del ensamblaje del motor del ventilador (E). Afloja los otros dos tornillos, sin quitarlos.
- Monta la carcasa del kit de luces (F) en el ensamblaje del motor del ventilador (E) y fíjala con los dos tornillos (N) aflojados en el primer paso. Empuja la carcasa del kit de luces (F) hasta enganchar las cabezas de los tornillos en las ranuras y gírala para fijarla. Vuelve a instalar el tornillo (N) que retiraste en el primer paso. Aprieta firmemente todos los tornillos.



13 Cómo instalar el kit de luces

- Quita un tornillo (P) de la carcasa del kit de luces (F). Afloja los otros dos tornillos, sin quitarlos.
- Conecta el cable azul que sobresale por debajo del ensamblaje del motor del ventilador (E) con el cable negro de la parte superior del ensamblaje del soporte del kit de luces (I).
- Conecta el cable blanco que sobresale por debajo del ensamblaje del motor del ventilador (E) con el cable blanco de la parte superior del ensamblaje del soporte del kit de luces (I).
- Monta el soporte del kit de luces (I) en la carcasa del kit de luces (F) y fíjalo con los dos tornillos (P) aflojados en el primer paso. Empuja el ensamblaje del soporte del kit de luces (I) hasta enganchar las cabezas de los tornillos en las ranuras y gíralo para fijarlo. Vuelve a instalar el tornillo (P) que retiraste en el primer paso. Aprieta firmemente todos los tornillos.

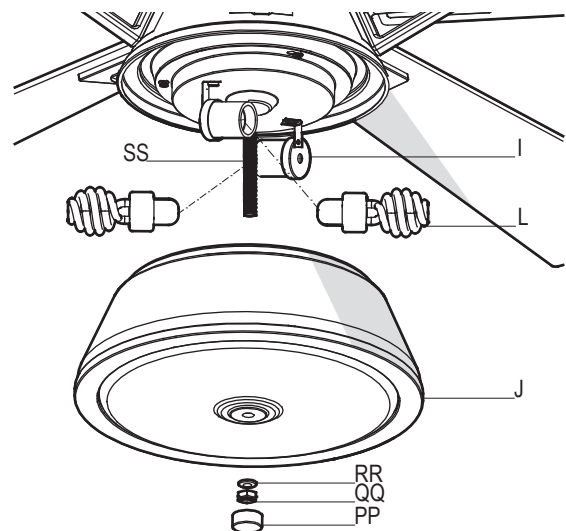


14 Cómo instalar las bombillas y el tazón de vidrio



ADVERTENCIA: No aprietes demasiado al instalar la pantalla de vidrio en el ensamblaje del kit de luces. Espera que la pantalla de vidrio se enfríe completamente antes de retirarla.

- Con la electricidad apagada, instala las bombillas (L) (de 14 W máximo, incluidas) enroscándolas en los portabombillas.
- Retira el remate (PP), la tuerca hexagonal (QQ) y la arandela de goma (RR) de la boquilla roscada (SS) del ensamblaje del soporte del kit de luces (I). Coloca la boquilla roscada a través del orificio central del tazón de vidrio (J). Vuelve a colocar la arandela de goma (RR), la tuerca hexagonal (QQ) y el remate (PP).



Funcionamiento



NOTA: El interruptor de reversa está ubicado en la superficie de la carcasa del motor. Apaga el ventilador y espera hasta que las aspas se hayan detenido completamente antes de presionar el interruptor para invertir la dirección de tu ventilador de techo.

Control Remoto - Tu ventilador está equipado con un control remoto que controla la velocidad y las luces de tu ventilador de techo.

Las configuraciones de velocidad para clima cálido o frío dependen de factores como tamaño de la habitación, altura del techo y cantidad de ventiladores.

Este ventilador se envía desde la fábrica con el interruptor de reversa posicionado para hacer circular el aire hacia abajo. Si deseas dirigir la corriente de aire en la dirección contraria, apaga el ventilador y espera que las aspas se detengan. Desliza el interruptor de reversa (ubicado en la caja de interruptores) hacia la dirección opuesta y luego vuelve a prender el ventilador. Las aspas del ventilador girarán en sentido contrario y revertirán la dirección de la corriente de aire.

1. **Velocidad** - El control remoto tiene teclas de Bajo, Medio, Alto y Apagado para seleccionar la velocidad de funcionamiento deseada y para apagar o encender el ventilador.

2. **Luces** - Para controlar el kit de luces, el control remoto tiene un botón de Encendido y Apagado de las luces.

Cómo poner en funcionamiento el ventilador

Botón alto = Velocidad alta

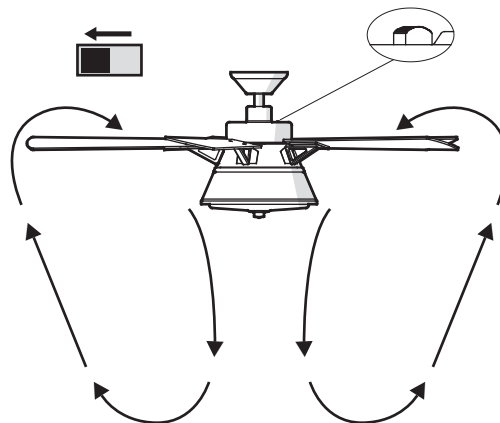
Botón medio = Velocidad media

Botón bajo = Velocidad baja

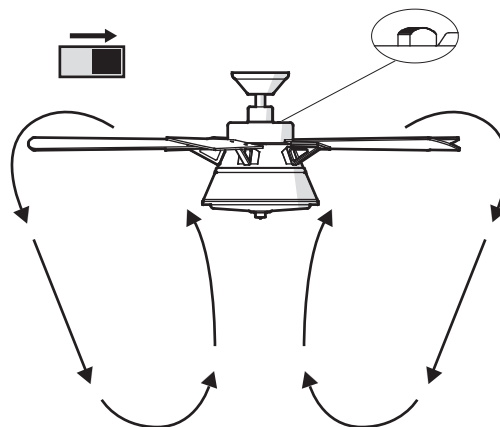
Botón de apagado = Se apaga

Encendido/apagado de las Luces = Enciende o apaga la luz

Clima cálido - (Hacia adelante) Un flujo de aire descendente crea un efecto de enfriamiento. Esto te permite fijar tu aire acondicionado en una configuración más alta sin afectar tu comodidad.



Clima frío - (Reversa) Un flujo de aire hacia arriba mueve el aire cálido lejos del techo. Esto te permite configurar la unidad de calefacción más baja sin afectar tu comodidad.



Mantenimiento y limpieza



ADVERTENCIA: Asegúrate de que la corriente esté apagada antes de limpiar el ventilador.

- Debido al movimiento natural del ventilador, algunas conexiones pueden aflojarse. Revisa las conexiones de soporte, soportes y accesorios de aspas dos veces al año. Verifica que estén seguros. No es necesario desmontar el ventilador del techo.
- Limpia tu ventilador con frecuencia, para que luzca como nuevo con el paso de los años. No uses agua al limpiar, esto puede dañar el motor o la madera, o causar descargas eléctricas. Usa solamente un cepillo suave o un trapo sin pelusas para evitar arañar el acabado. El revestimiento está sellado con laca para minimizar la decoloración u opacidad.
- Puedes aplicar a la madera una fina capa de pulimento para muebles para una mayor protección y belleza. Cubre los arañazos pequeños con una leve aplicación de lustrador para calzado.
- No necesitas lubricar tu ventilador. El motor tiene cojinetes de bola sellados, permanentemente lubricados.

Solución de problemas

Problema	Solución
El ventilador no enciende.	<ul style="list-style-type: none">□ Verifica los fusibles o disyuntores principales y secundarios.□ Verifica las conexiones de cables en línea al ventilador y conexiones de cables del interruptor en la caja de interruptores.□ Revisa la batería del control remoto.□ Asegúrate de estar en el rango normal de 10 a 20 pies.□ Apaga la electricidad y asegúrate de que coincidan las configuraciones del interruptor en el control remoto y el receptor.
El ventilador hace ruido.	<ul style="list-style-type: none">□ Asegúrate de que los tornillos de la carcasa del motor estén ajustados.□ Asegúrate de que los tornillos que unen el soporte del aspa al cuerpo del motor están bien ajustados.□ Asegúrate de que las conexiones de tuerca de cable no choquen unas con otras o con la pared interior de la caja del interruptor.□ Permite un período de 24 horas de “adaptación”. La mayoría de los ruidos asociados con un nuevo ventilador desaparecen en ese período.□ Si usas el kit de luces de ventilador de techo, asegúrate de que los tornillos que sujetan el vidrio estén bien colocados. Verifica que las bombillas estén bien aseguradas.□ Asegúrate de que la cubierta esté a una corta distancia del techo. No debería tocar el techo.□ Asegúrate de que tu caja eléctrica esté bien segura y las almohadillas aislantes de goma se hayan instalado entre la placa de montaje y la caja eléctrica.
El ventilador oscila.	<ul style="list-style-type: none">□ Verifica que todas las aspas y tornillos de los brazos de aspas estén seguros.□ La mayoría de los problemas de oscilación del ventilador se deben a que las aspas no están a un mismo nivel. Verifica este nivel seleccionando un punto en el techo sobre la punta de una de las aspas. Mide desde un punto en el centro de cada aspa al punto en el techo. Mide esta distancia. Gira el ventilador hasta que la próxima aspa quede posicionada para medir. Repite para cada aspa. Las desviaciones de la medición deben estar dentro de un rango de 0.3 cm. Enciende el ventilador durante diez minutos. Si el ventilador continúa oscilando, comunícate con el servicio al cliente y te enviarán un kit de compensación de aspas, sin costo alguno.



¿Preguntas, problemas o piezas faltantes? Antes de regresar a la tienda,
llama al Servicio al Cliente de Hampton Bay
de Lunes a Viernes entre 8 a.m. y 6 p.m., (Hora del Este de EE. UU.)

1-877-527-0313

HAMPTONBAY.COM

Conserva este manual para uso en el futuro.