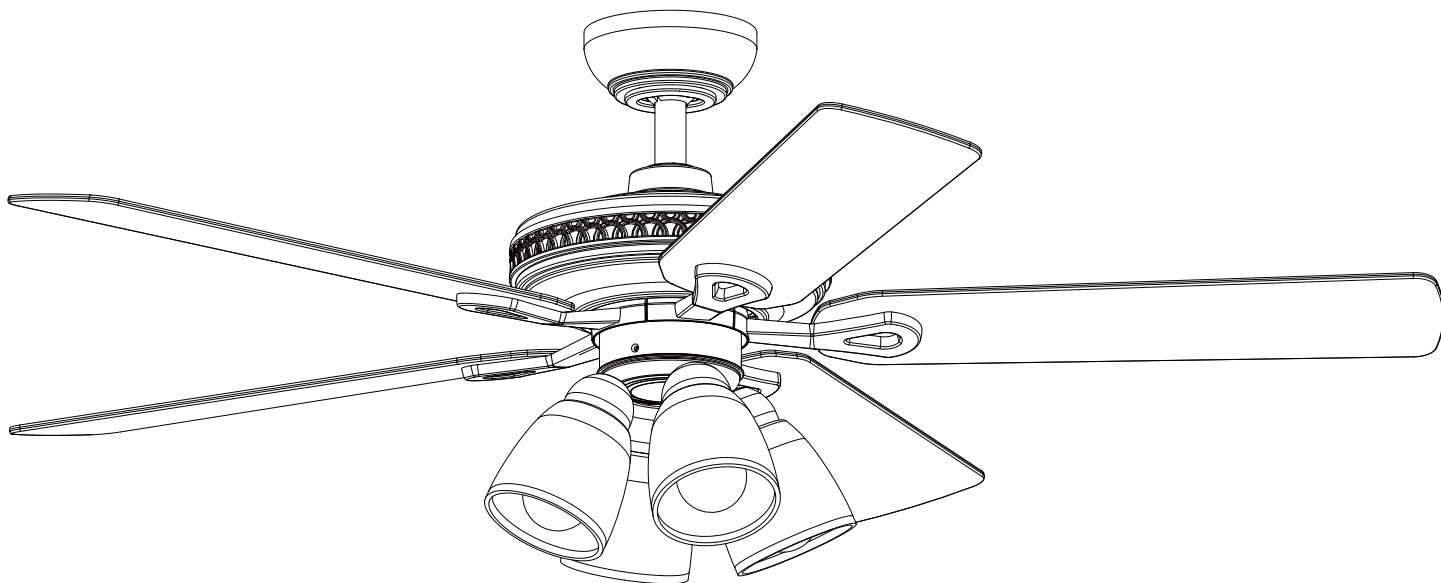


HAMPTON BAY[®]

USE AND CARE GUIDE

LAS OLAS 52-INCH CEILING FAN



Questions, problems, missing parts? Before returning to the store,
call Hubspace Customer Service
8 a.m. - 7 p.m., EST, Monday-Friday, 9 a.m. - 6 p.m., EST, Saturday

1-877-592-5233

HOMEDEPOT.COM/HUBSPACE



To view an instructional video on how to install this product:

1. Go to www.homedepot.com and enter either the Item or Model number, found in the top right corner of the cover of this instruction manual, in the search field.
2. Click on your product from the list of search results and click on the video link in the "Product Overview" section.

THANK YOU

We appreciate the trust and confidence you have placed in Hampton Bay through the purchase of this ceiling fan. We strive to continually create quality products designed to enhance your home. Visit us online to see our full line of products available for your home improvement needs.

Thank you for choosing Hampton Bay!









Table of Contents

Table of Contents	2	Assembly	7
Safety Information	2	Operation	14
Warranty	3	Care and Cleaning	17
Pre-Installation	3	Troubleshooting	17
Installation.....	6		

Safety Information

READ AND SAVE THESE INSTRUCTIONS

1. To reduce the risk of electric shock, ensure the electricity has been turned off at the circuit breaker or fuse box before you begin.
2. All wiring must be in accordance with the National Electrical Code ANSI/NFPA 70 and local electrical codes. Electrical installation should be performed by a qualified licensed electrician.
3. The outlet box and support structure must be securely mounted and capable of reliably supporting 35 lbs. (15.9 kg). Use only UL Listed outlet boxes marked "Acceptable for Fan Support of 35 lbs. (15.9 kg) or less."
4. The fan must be mounted with a minimum of 7 ft. (2.1 m) clearance from the trailing edge of the blades to the floor.
5. Do not operate the reversing switch while the fan blades are in motion. You must turn the fan off and stop the blades before you reverse the blade direction.
6. Do not place objects in the path of the blades.
7. To avoid personal injury or damage to the fan and other items, use caution when working around or cleaning the fan.
8. Electrical diagrams are for reference only. Light kits that are not packed with the fan must be UL-listed and marked suitable for use with the model fan you are installing. Switches must be UL General Use Switches. Refer to the instructions packaged with the light kits and switches for proper assembly.
9. After making electrical connections, spliced conductors should be turned upward and pushed carefully up into the outlet box. The wires should be spread apart with the grounded conductor and the equipment-grounding conductor on one side of the outlet box.
10. All setscrews must be checked and retightened where necessary before installation.

	WARNING: To reduce the risk of personal injury, do not bend the blade brackets (also referred to as flanges) during assembly or after installation. Do not insert objects in the path of the blades.
	WARNING: Remove the rubber motor stops on the bottom of the fan before installing the blades or testing the motor.
	WARNING: To reduce the risk of fire or electric shock, do not use this fan with any solid-state speed control device.
	WARNING: To avoid possible electrical shock, turn the electricity off at the main fuse box before wiring. If you feel you do not have enough electrical wiring knowledge or experience, contact a licensed electrician.
	WARNING: Electrical diagrams are for reference only. Optional use of any light kit shall be UL-listed and marked suitable for use with this fan.
	WARNING: To reduce the risk of fire, electric shock, or personal injury, mount to outlet box marked "Acceptable for fan support of 35 lbs. (15.9 kg) or less," and use the screws provided with the outlet box.
	WARNING: To reduce the risk of fire or electric shock, this fan should only be used with fan speed control part no. MR225A, manufactured by Chungear Industrial Co., Ltd.
	WARNING: To reduce the risk of electric shock, this fan must be installed with an isolating wall switch.

FCC Statement: This equipment has been tested and found to comply with the limits for a Class B digital device, pursuant to Part 15 of the FCC Rules. These limits are designed to provide reasonable protection against harmful interference in a residential installation. This equipment generates, uses and can radiate radio frequency energy and, if not installed and used in accordance with the instructions, may cause harmful interference to radio communications. However, there is no guarantee that interference will not occur in a particular installation. If this equipment does cause harmful interference to radio or television reception, which can be determined by turning the equipment off and on, the user is encouraged to try to correct the interference by one or more of the following measures:

- Reorient or relocate the receiving antenna.
- Increase the separation between the equipment and receiver.
- Connect the equipment into an outlet on a circuit different from that to which the receiver is connected.
- Consult the dealer or an experienced radio/TV technician for help.

CAUTION:

Any changes or modifications not expressly approved by the grantee of this device could void the user's authority to operate the equipment.

The distance between user and products should be no less than 20 cm.

This device complies with Part 15 of the FCC rules. Operation is subject to the following two conditions: 1) this device may not cause harmful interference, and 2) this device must accept any interference received, including interference that may cause undesired operation.

Warranty

The supplier warrants the fan motor to be free from defects in workmanship and material present at time of shipment from the factory for a lifetime after the date of purchase by the original purchaser. The supplier warrants that the light kit, excluding any glass, to be free from defects in workmanship and material at the time of shipment from the factory for a period of three years after the date of purchase by the original purchaser. The supplier also warrants that all other fan parts, excluding any glass or acrylic blades, to be free from defects in workmanship and material at the time of shipment from the factory for a period of one year after the date of purchase by the original purchaser. We agree to correct such defects without charge or at our option replace with a comparable or superior model if the product is returned. To obtain warranty service, you must present a copy of the receipt as proof of purchase. All costs of removing and reinstalling the product are your responsibility. Damage to any part, such as by accident, misuse, improper installation, or by affixing any accessories, is not covered by this warranty. Because of varying climatic conditions this warranty does not cover any changes in brass finish, including rusting, pitting, corroding, tarnishing, or peeling. Brass finishes of this type give their longest useful life when protected from varying weather conditions. A certain amount of "wobble" is normal and should not be considered a defect. Servicing performed by unauthorized persons shall render the warranty invalid. There is no other express warranty. Home Decorators Collection hereby disclaims any and all warranties, including but not limited to those of merchantability and fitness for a particular purpose to the extent permitted by law. The duration of any implied warranty which cannot be disclaimed is limited to the time period as specified in the express warranty. Some states do not allow a limitation on how long an implied warranty lasts, so the above limitation may not apply to you. The retailer shall not be liable for incidental, consequential, or special damages arising out of or in connection with product use or performance except as may otherwise be accorded by law. Some states do not allow the exclusion of incidental or consequential damages, so the above exclusion or limitation may not apply to you. This warranty gives specific legal rights, and you may also have other rights which vary from state to state. This warranty supersedes all prior warranties. Shipping costs for any return of product as part of a claim on the warranty must be paid by the customer.

Contact the Customer Service Team at 1-877-592-5233 or visit www.HomeDepot.com/hubspace.

Pre-Installation

SPECIFICATIONS

Size	Speed	Volts	Amps	Watts	RPM	CFM	Net Weight	Gross Weight	Cube Feet
52 in.	Low	120	0.2	8	50	1955	20.28 lb (9.2 kg)	26.8 lb (12.15 kg)	2.33 cu.ft.
	Medium		0.25	27	100	3409			
	High		0.5	58	150	4692			



NOTE: These are approximate measures. They do not include the amps and wattage used by the light kit.



TOOLS REQUIRED



Phillips
screwdriver



Flat blade
screwdriver



Adjustable
wrench



Electrical
tape



Wire
cutter /
stripper



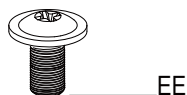
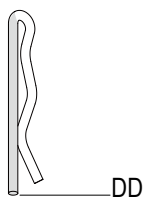
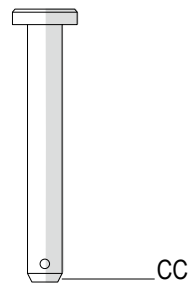
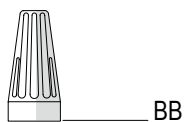
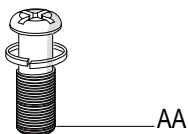
Step ladder

Pre-Installation (continued)

HARDWARE INCLUDED



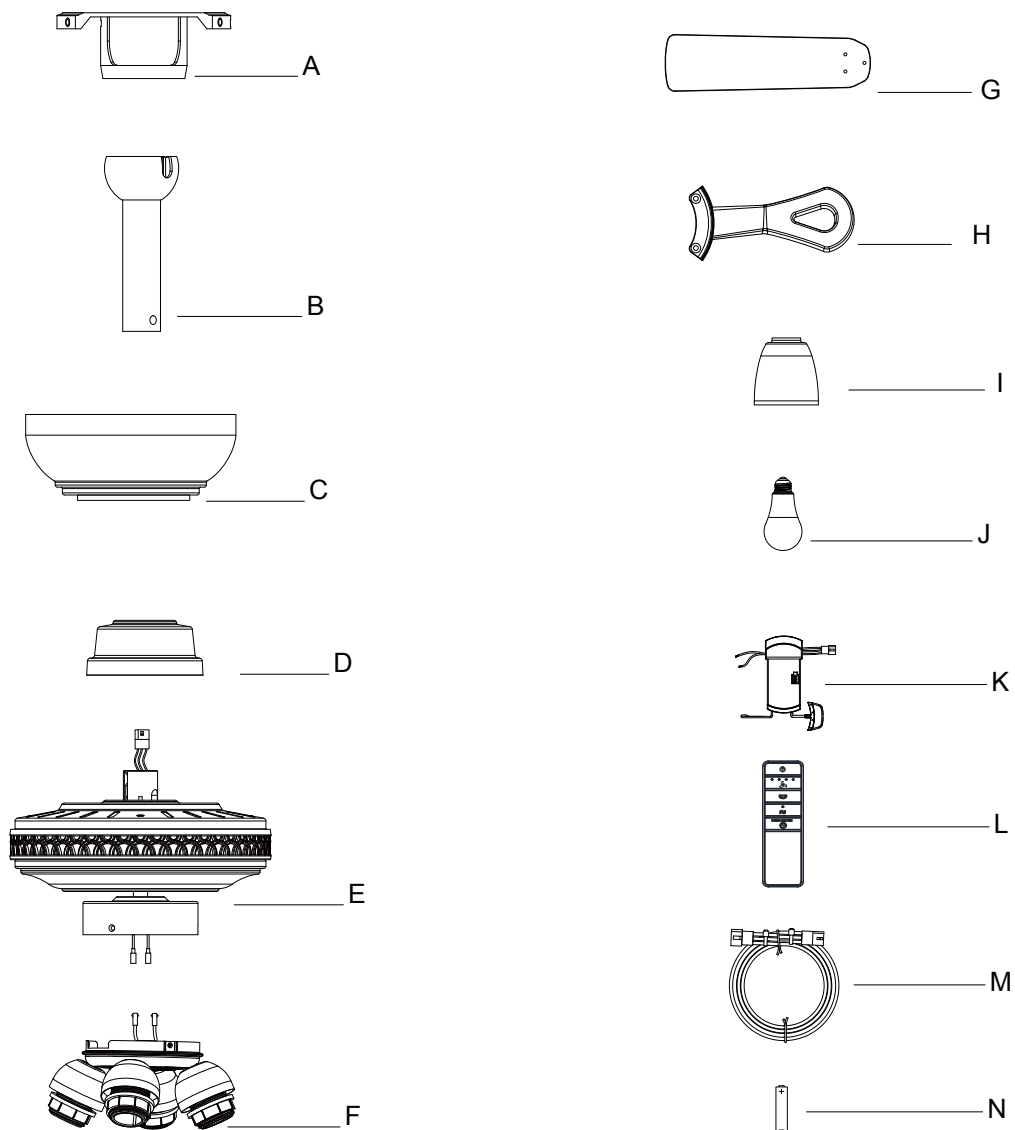
NOTE: Hardware not shown to actual size.



Part	Description	Quantity
AA	Extra blade bracket screw	1
BB	Plastic wire connector	3
CC	Hanger pin	1
DD	Locking pin	1
EE	Blade screws	16

Pre-Installation (continued)

PACKAGE CONTENTS



Part	Description	Quantity
A	Slide-on mounting bracket (inside canopy)	1
B	Ball/downrod assembly	1
C	Canopy	1
D	Decorative motor collar cover	1
E	Fan-motor assembly	1
F	Light kit fitter assembly	1

Part	Description	Quantity
G	Blade	5
H	Blade bracket (with pre-installed screws)	5
I	Glass shade	4
J	LED bulbs (9.5w, Maximum)	4
K	Receiver	1
L	Remote control	1
M	Lead wire	1
N	Battery	2



IMPORTANT: This product and/or components are governed by one or more of the following U.S. Patents: 5,947,436; 5,988,580; 6,010,110; 6,046,416, 6,210,117 and other patents pending.

Installation

MOUNTING OPTIONS



WARNING: To reduce the risk of fire, electric shock or personal injury, mount to an outlet box marked "Acceptable for fan support of 35 lbs. (15.9 kg) or less," and use the screws provided with the outlet box. An outlet box commonly used for the support of lighting fixtures may not be acceptable for fan support and may need to be replaced. If in doubt, consult a qualified electrician.

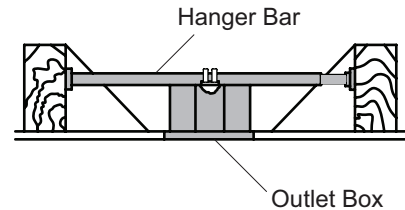
If your ceiling fan does not have an existing UL-listed mounting box, then install one using the following instructions:

- Disconnect the power by removing the fuses or turning off the circuit breakers.
- Secure the outlet box directly to the building structure. Use the appropriate fasteners and materials. The outlet box and its bracing must be able to fully support the weight of the moving fan (at least 35 lbs.). Do not use a plastic outlet box.

The illustrations below show three different ways to mount the outlet box.



NOTE: You may need a longer downrod to maintain proper blade clearance when installing on a steep, sloped ceiling. The maximum angle allowable is 20° away from horizontal.



If the canopy (C) touches the ball/downrod assembly (B), then remove the decorative canopy bottom cover and turn the canopy (C) 180° before attaching the canopy (C) to the mounting plate.

To hang your fan where there is an existing fixture but no ceiling joist, you may need an installation hanger bar as shown above (available at any Home Depot store).

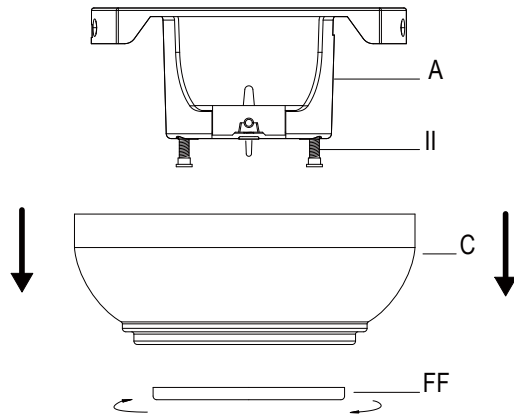
Assembly - Standard Ceiling Mount

1 Preparing for standard mounting



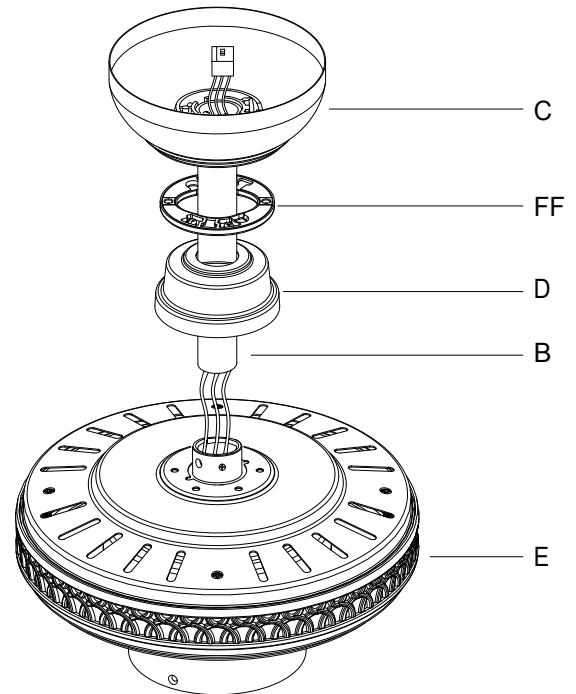
NOTE: The magnet is pre-attached on the canopy bottom cover for you to remove and install easily.

- Remove the magnetic canopy bottom cover (FF) from the canopy (C) by pulling it off.
- Loosen the two canopy screws (II) located in the bottom of the mounting bracket (A).
- Turn the canopy (C) counterclockwise to remove the mounting bracket (A) from canopy (C).



2 Routing the wires

- Route the wires exiting the top of the fan motor assembly (E) through the decorative motor collar cover (D) and then the center of the canopy bottom cover (FF).
- Make sure the opening of canopy (C) is on top and insert the ball/downrod (B) through the canopy (C).
- Route the wires exiting the top of the fan motor assembly (E) through the downrod as shown.

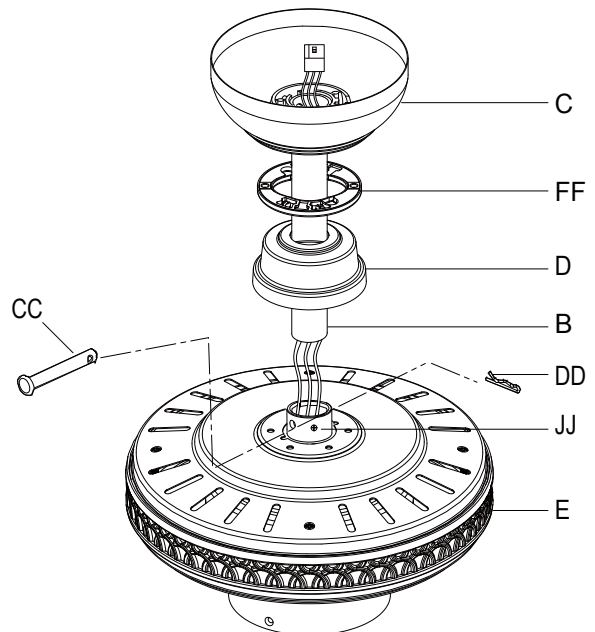


3 Assembling the fan



WARNING: Failure to properly install the locking pin (DD) could result in the fan becoming loose and possibly falling.

- Loosen, but do not remove, the setscrews (JJ) on the collar on top of the fan-motor assembly (E).
- Align the holes at the bottom of the ball/downrod assembly (B) with the holes in the collar on top of the fan-motor assembly (E).
- Carefully insert the hanger pin (CC) through the holes in the collar and ball/downrod assembly (B). Be careful not to jam the hanger pin (CC) against the wiring inside the ball/downrod assembly (B).
- Insert the locking pin (DD) through the hole near the end of the hanger pin (CC) until it snaps into its locked position.
- Re-tighten the setscrews (JJ) on the collar on top of the fan-motor assembly (E).



Assembly - Hanging the Fan

1 Attaching the fan to the electrical box

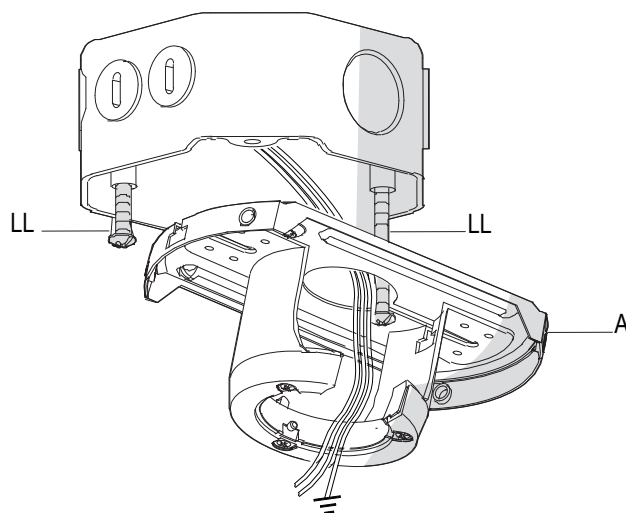


WARNING: To reduce the risk of fire, electric shock or personal injury, mount to an outlet box marked "Acceptable for fan support of 35 lbs. (15.9 kg) or less," and use the screws provided with the outlet box.



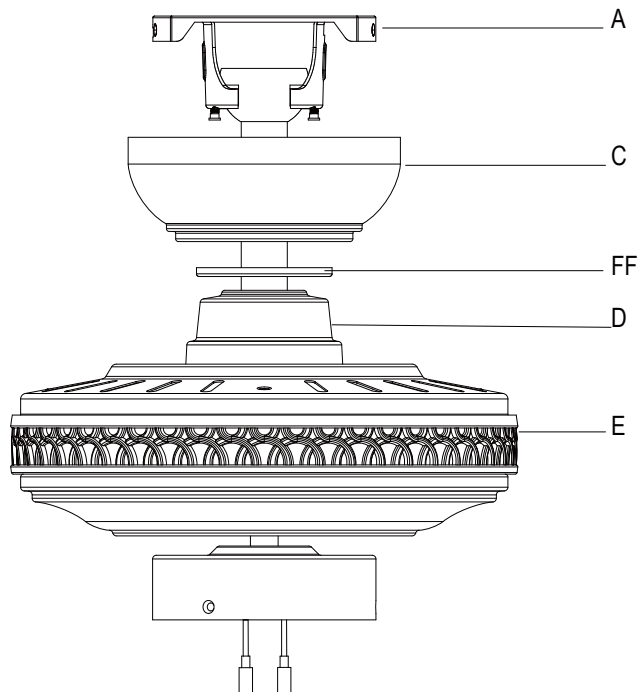
NOTE: The mounting bracket (A) is designed to slide into place on an outlet box with the outlet box screws (LL).

- Pass the 120-Volt supply wires through the center hole in the slide-on mounting bracket (A).
- Install the slide-on mounting bracket (A) on the outlet box by sliding the slide-on mounting bracket (A) over the two screws (LL) provided with the outlet box. If necessary, use leveling washers (not included) between the slide-on mounting bracket (A) and the outlet box. The flat side of the slide-on mounting bracket (A) should face toward the outlet box, as shown.
- Securely tighten the two mounting screws (LL).



2 Hanging the fan

- Carefully lift the fan-motor assembly (E) up to the slide-on mounting bracket (A).
- Insert the ball portion of the ball/downrod assembly (B) into the socket of the slide-on mounting bracket (A).
- Turn the ball/downrod assembly (B) clockwise until it is seated with the tab of the slide-on mounting bracket aligned with the slot in the ball.



Assembly - Hanging the Fan (continued)

3 Preparing the remote control



NOTE: The remote control has already been paired to the ceiling fan for your convenience. If you have two of the same model fans in your home, please follow the steps below to control each fan independently.



NOTE: The remote control battery will weaken with age and should be replaced before leaking takes place, as this will damage the remote control. Dispose of used battery properly and keep the battery out of the reach of children.



NOTE: The switch marked "O/D" controls the dimming function of the lights. If using non-dimmable bulbs, use a ballpoint pen or small screwdriver to set the switch to "O" to disable the dimming function. If using dimmable bulbs, set the switch to "D" to enable the dimming function.

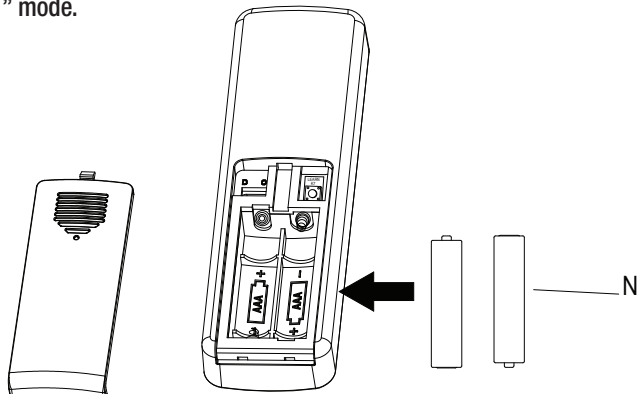
- Confirm that the power to the fan is off at either the wall switch or breaker box.
- Remove the battery cover by pressing firmly on the arrow and sliding the cover off.
- Install two 1.5V AAA batteries (N).
- Return power to the fan at the wall switch or breaker box.
- If the remote control doesn't work as normal, press then release the "Learn" button for 1-2 seconds (located in the remote's battery compartment) within 30 seconds of turning on the power.
- If pairing is successful, the fan's light kit will flash and the blades will begin to spin.
- Replace the battery cover on the remote control.

1 to 3 mode

- To use more than one remote control for your fan, press the "Learn" button for 10 seconds and release within 30 seconds of turning on the power. Once pairing is successful, the fan's light kit will flash and the blades will begin to spin.
- Repeat the above process for the remote controls you want to work with this fan.
- The fan can be only controlled by 3 remote controls maximum at the same time after "Learning". If you use a fourth remote control to handle the fan, the first remote control will be replaced.

1 to 1 mode

- To use only one remote control for your fan, press and release the "Learn" button for 1-2 seconds within 30 seconds of turning on the power. The "1 to 3" mode will be cleared and returned back to "1 to 1" mode.



4 Installing the receiver



WARNING: To reduce the risk of fire or electric shock, remember to disconnect power. The electrical wiring must meet all local and national electrical code requirements. The electrical source and fan must be 110/120 volts, 60Hz. Do not use this product in conjunction with any variable wall control. Incorrect wire connection can damage this receiver.

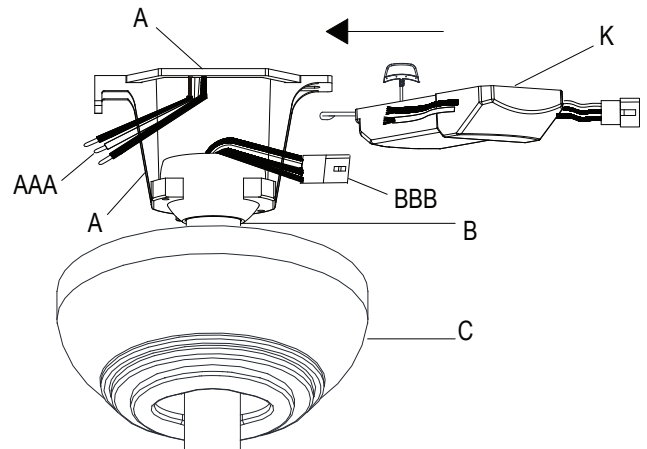


CAUTION: If other fan wires are a different color, have this unit installed by a licensed electrician.

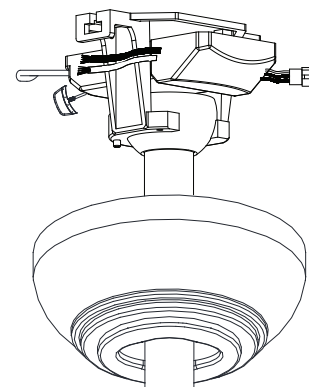


CAUTION: Do not install in a damp location or immerse in water (for indoor use only). Do not pull on or cut leads shorter. Do not drop or bump the unit.

- Position the house supply wires (AAA) to one side of the slide-on mounting bracket (A). Position the fan wires to the opposite side.
- Insert the narrow end of the receiver (K) (as shown, flat side towards the ceiling) into the slide-on mounting bracket (A) until it rests on top of the ball/downrod assembly (B).



View after installation



Assembly - Hanging the Fan (continued)

5 Wiring the receiver to the household wiring



WARNING: To avoid possible electrical shock, turn the electricity off at the main fuse box before wiring. If you feel you do not have enough electrical wiring knowledge or experience, contact a licensed electrician.

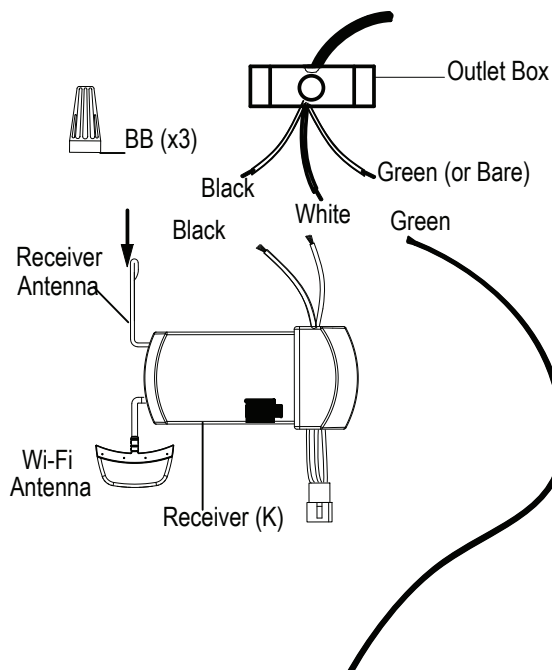


WARNING: Each wire nut supplied with this fan is designed to accept up to one 12-gauge house wire and two wires from the fan. If you have larger than 12-gauge house wiring or more than one house wire to connect to the fan wiring, consult an electrician for the proper size wire nuts to use.



IMPORTANT: Use the wire connecting nuts (BB) supplied with your fan. Secure the connectors with electrical tape and ensure there are no loose strands or connections.

- Spread the wires apart so that the green and white wires are on one side of the outlet box and the black wire is on the other side.
- Connect the green fan wires to the household ground wire (this may be a green or bare wire) using a wire connecting nut (BB).
- Connect the receiver (K) black (or red) wire to the household black (hot) wire using a wire connecting nut (BB).
- Connect the receiver (K) white wire to the household white wire (neutral) using a wire connecting nut (BB).
- Secure each wire connecting nut using electrical tape.

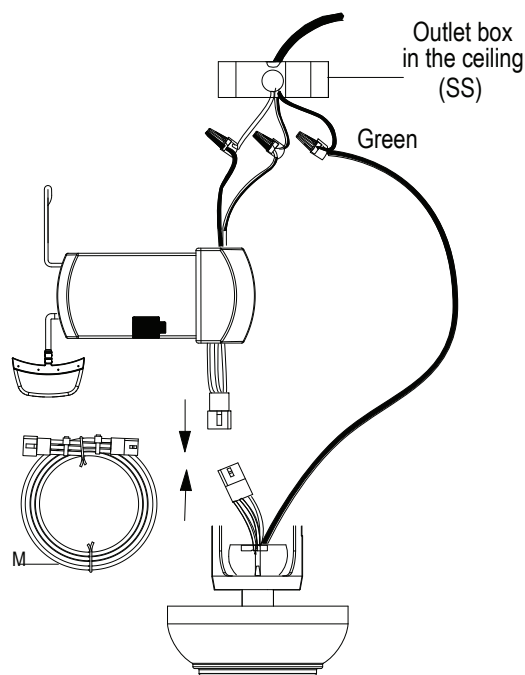


6 Wiring the fan to the receiver



NOTE: The fan comes with 12 in. lead wires for use with the provided 4.5 in. ball/downrod assembly (B). If you wish to use longer downrod, you can use the extension lead wire (42 in.) (M) provided.

- If using the 4.5 in. ball downrod assembly (B) provided, wire the receiver to the fan wires by connecting the molded adaptor plug from the receiver (K) with the molded adaptor of the fan motor assembly (E) together.
- If you wish to use longer downrod, you can use the extension lead wire (42 in.) (M) provided by connecting the molded adaptor together.



Assembly - Hanging the Fan (continued)

7 Mounting the fan-motor assembly (standard mount)



WARNING: When using the standard ball/downrod mounting, the tab in the ring at the bottom of the mounting bracket must rest in the groove of the hanger ball. Failure to properly seat the tab in the groove could cause damage to the wiring.

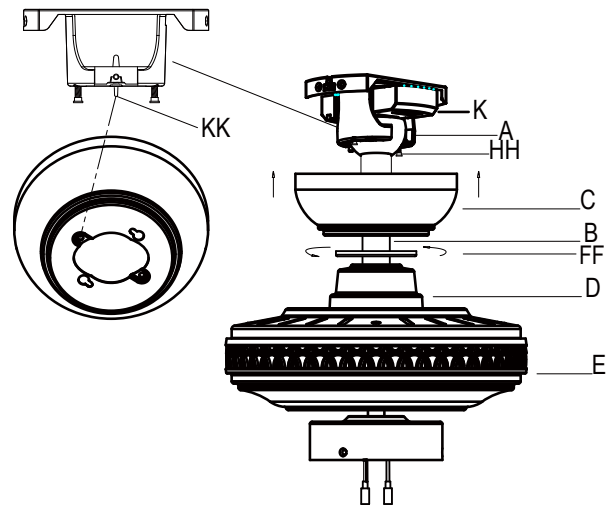


NOTE: The magnet is pre-attached on the canopy bottom cover for you to remove and install easily.

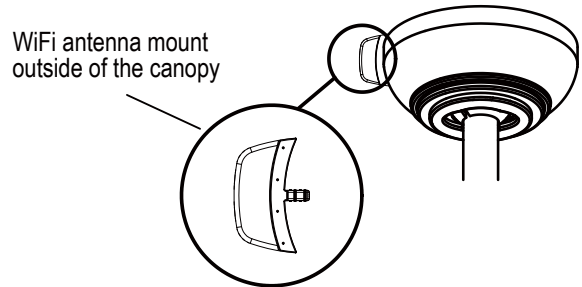


NOTE: For better performance with the Wi-Fi system, the Wi-Fi antenna must be mounted to the ceiling outside of the fan's ceiling canopy.

- ❑ Align the locking slots of the canopy (C) with the two screws (HH) and alignment post (KK) in the mounting bracket (A).
- ❑ Push up the canopy (C) and turn it clockwise until the alignment post (KK) engages to the round hole and the screws (HH) engage to the key slots.
- ❑ Firmly tighten the two mounting screws (HH).
- ❑ Align the oval shape on the canopy (C) with canopy bottom cover (FF).
- ❑ Push up the canopy bottom cover (FF) until the screw (HH) heads engage to the slots on the canopy bottom cover (FF) so that the magnetic canopy bottom cover (FF) can be attached to the bottom of the canopy (C) properly.



View after installation



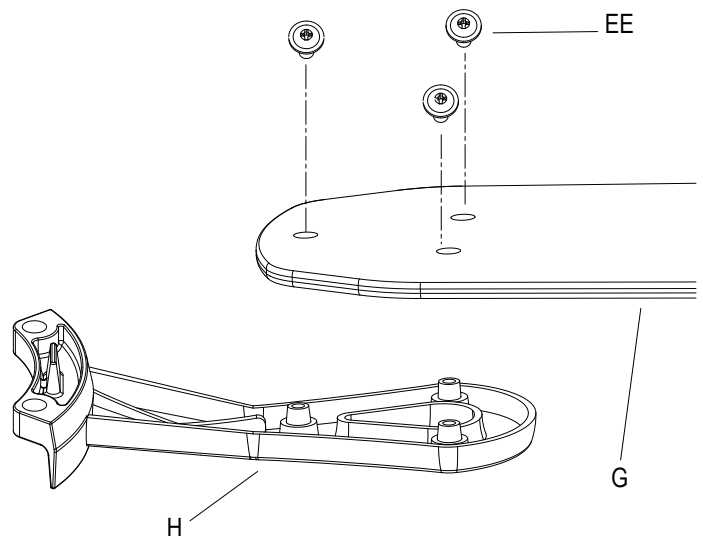
Assembly - Attaching the Fan Blades

1 Attaching the blades to the blade arms



NOTE: Your fan blades are reversible. Select the blade side finish which best accentuates your decor.

- ❑ Attach a blade (G) to blade bracket (H) by inserting the screws (EE) into the holes in the blade (G) and through the blade bracket (H).
- ❑ Tighten each screw securely.
- ❑ Repeat this step for each blade and blade bracket.



Assembly - Attaching the Fan Blades (continued)

2 Fastening the blade assemblies to the motor

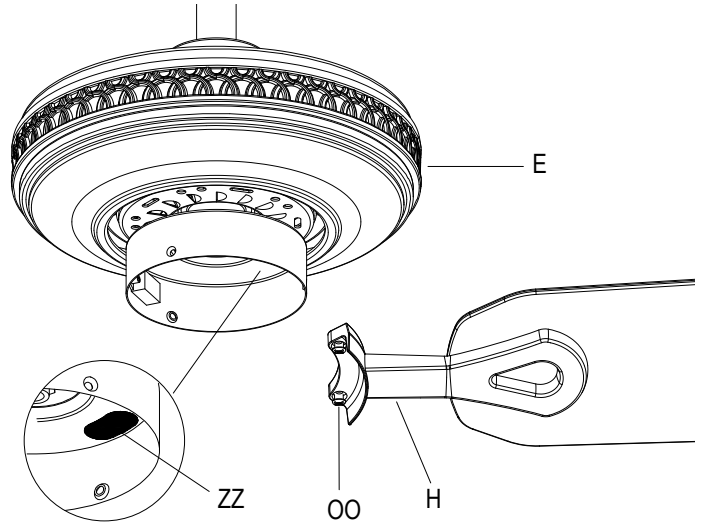


WARNING: Remove the rubber motor stops on the bottom of the fan before installing the blades or testing the motor.



IMPORTANT: The switch cup has an access hole (ZZ) to allow the screwdriver to reach the screws in the blade bracket. Position the blade bracket on the motor and tighten by inserting the screwdriver through the access hole (ZZ).

- Fasten the blade/blade bracket assembly to the fan motor assembly (E) by inserting the alignment post into the slot on the bottom of the motor and tightening the pre-installed blade bracket screws (OO) by inserting a screw driver through the access hole (ZZ).
- Repeat this step for the remaining blade assemblies by rotating the motor until the next blade bracket screw can be accessed through the access hole (ZZ) in the switch cup.



Assembly - Attaching the Lights

1 Attaching the light kit fitter assembly

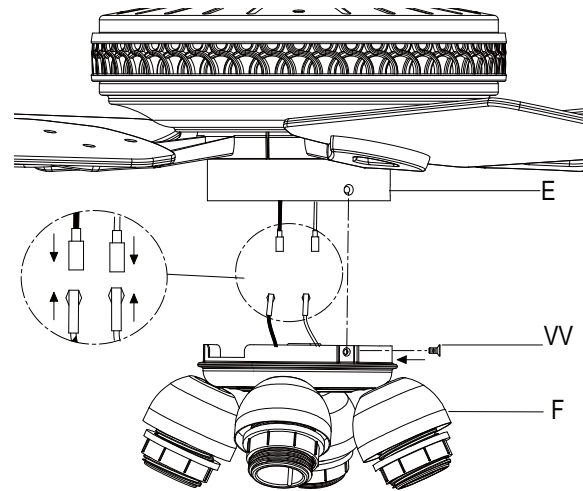


CAUTION: To reduce the risk of electric shock, disconnect the electrical supply circuit to the fan before installing the light fixture.



NOTE: Notice the location of the fan's slide switch. This is the switch used to change the fan's directional rotation. For more information on the operation of this switch, see *Operating Your Fan* on page 14.

- Remove the three screws (VV) on the switch cup cover of the light kit fitter assembly (F).
- Connect the wires from the light kit fitter assembly (F) to the wires from the switch cup of the fan-motor assembly (E) by connecting the molded adaptor plugs together (blue to black, white to white). Carefully tuck all wires and splices into the switch cup.
- Align the three holes in the switch cup cover of the light kit fitter assembly (F) with the three holes in the switch cup of the fan-motor assembly (E). Make sure the notch in the switch cup cover of the light kit fitter assembly (F) clears the reversing switch in the switch cup of the fan-motor assembly (E). Position the light kit fitter assembly (F) and re-install the three screws (VV) that were removed in first step to secure the light kit fitter assembly (F).



Assembly - Attaching the Lights (continued)

2 Installing the bulbs and glass shade

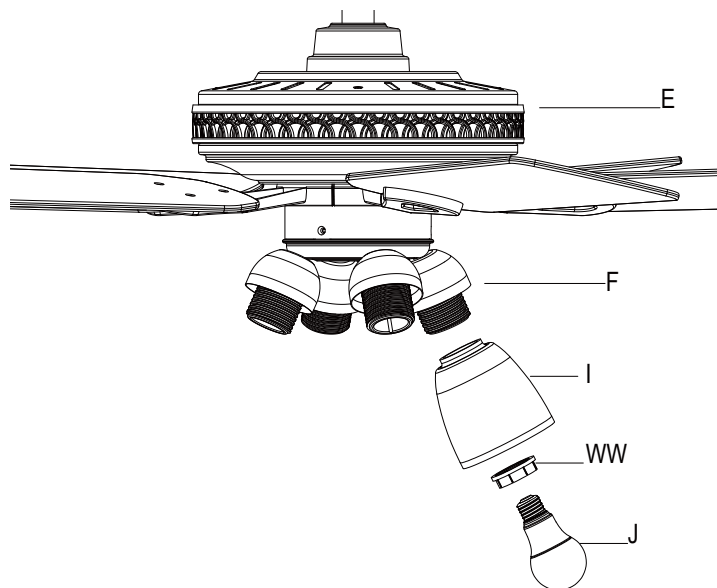


WARNING: Allow the glass shade to cool completely before removing.



CAUTION: Make sure the power is off before attaching or removing the glass shade.

- Remove the compressing ring (WW) from the threaded socket of the light kit by turning the compressing ring counter-clockwise until it unlocks.
- Insert the glass shade (I) into the light kit cowl and turn the compressing ring (WW) clockwise to tighten and secure the glass shade. Repeat for the remaining shades.
- With power off, screw the LED bulbs (J)(9.5W, maximum) into the sockets.



Assembly - Attaching the Accessories

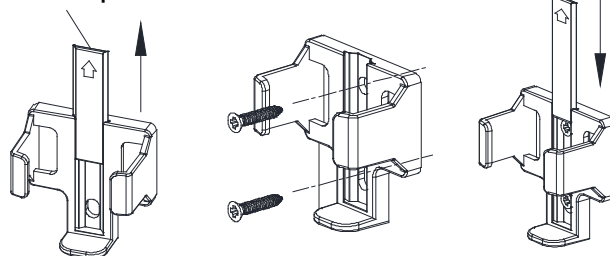
Mounting the remote control holder



NOTE: Screw wall anchors are included for extra support. The included screws are designed to screw easily into the wall. If you would like a more permanent or secure hold, install the wall anchors prior to attaching the wall cradle to the wall.

- Slide the screw cover plate up to remove it from the wall cradle.
- Position the wall cradle in the desired position and attach it to the wall using the included wall cradle screws.
- Slide the screw cover plate back onto the wall cradle to conceal the screws.

Screw cover plate



Operating Your Fan and Remote Control

OPERATING YOUR FAN

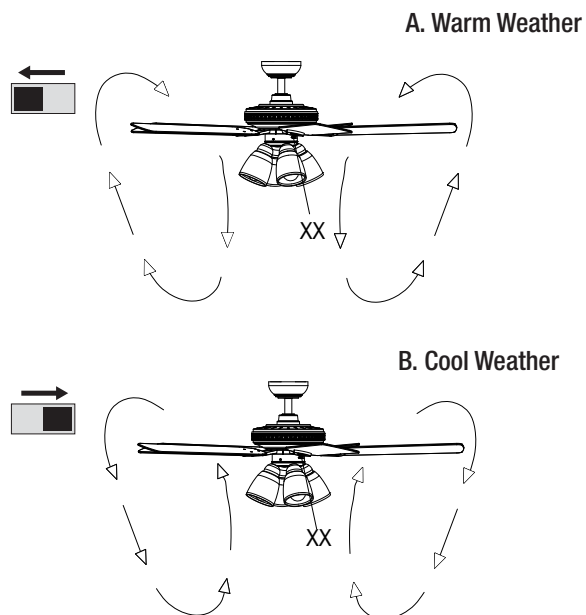
Remote Control - Your fan is equipped with a remote control to operate the speed and lights of your new ceiling fan. Speed setting for warm or cool weather depends on factors such as the room size, ceiling height, number of fans and so on. The fan is shipped from the factory with the reversing switch (XX) positioned to circulate air downward. If airflow is desired in the opposite direction, turn your fan off and wait for the blades to stop turning, then slide the reversing switch (located underneath the motor collar cover on the switch box on top of the motor housing) to the opposite position, and turn the fan on again. The fan blades will turn in the opposite direction and reverse airflow.

Warm weather - (Forward)






A downward airflow creates a cooling effect. This allows you to set your air conditioner on a higher setting without affecting your comfort.

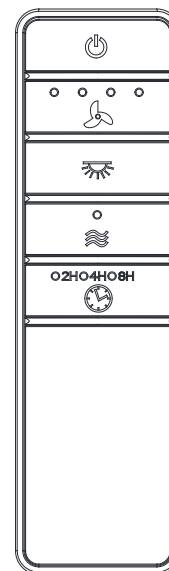
Cool weather - (Reverse)

An upward airflow moves warm air off of the ceiling. This allows you to set your heating unit on a lower setting without affecting your comfort.



1 Operating the remote control

-  **Power ON/OFF:** Press and release the power button to turn the fan and light on or off.
-  **Fan speed:** LEDs on the fan speed button will illuminate to the corresponding speed.
 - Press and release 1 time: turns the fan speed to 4.
 - Press and release 2 times: turns the fan speed to 3.
 - Press and release 3 times: turns the fan speed to 2.
 - Press and release 4 times: turns the fan speed to 1.
 - Press and release 5 times: turns the fan off.
-  **Light ON/OFF:**
 - Press and release the button to turn the light on or off.
 - Press and hold the button to activate the dimmer function.
-  **Comfort Breeze:** Press the button to enable Comfort Breeze; this will change your fan randomly, simulating a relaxing breeze. To cancel this features press fan speed button or power button.
-  **Timer:**
 - While the fan is on press 1 time-turns on a 2 hour run timer.
 - While the fan is on press 2 times-turns on a 4 hour run timer.
 - While the fan is on press 3 times-turns on a 8 hour run timer.



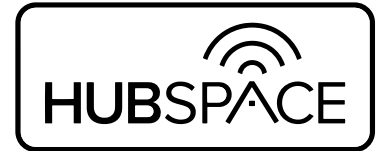
Application Set-Up



NOTE: For more information on smart remote set up, please refer to the quick start guide located in the remote pack.



NOTE: To use Alexa to change the white temperature of the light, please make sure the light is turned on first.



Questions, problems missing parts?
Please call Hubspace Customer service
8 a.m. - 7 p.m. EST, Monday - Friday;
9 a.m. - 6 p.m., EST, Saturday
(877) 592-5233

1 Getting started

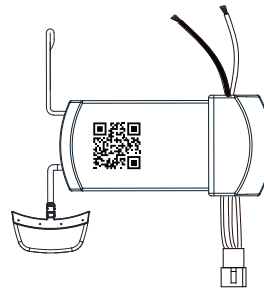
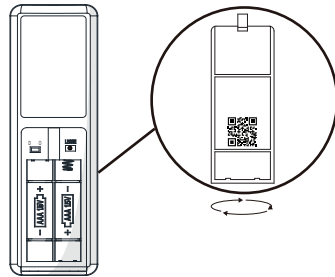
- Download the Hubspace™ app from the App Store or the Google Play Store to your mobile device.
- Launch the app.
- To register, enter your email address and a password. Or, login if you already have an account.
- Bluetooth access is required for device setup.

2 Verify your network

- Hubspace only shows WiFi networks that your device can use. Check your network only if an option does not appear during set up.
- This Hubspace device requires a 2.4GHz Wi-Fi channel.
- Most routers provide a 2.4 GHz WiFi channel.
- If you do not see your Wi-Fi network name when you attempt to connect your device, please check your router settings.

3 Add a device

- In the Hubspace app, tap the plus sign in the upper right corner.
- Scan your product's QR code. You can find the QR code on the remote receiver, inside the battery compartment cover of the remote, and on the Quick Start Guide paper included with the fan.



Scan problem?

If the QR code cannot be scanned for some reason, you can enter the code manually. Tap Enter Code and follow the instructions.


- Connect your device to power and follow the instructions on screen.

(For lighting and fan products only)

If you are unable to access the QR code for your light, you can put it into discovery mode with the following sequence:

- Switch the device off and on 5 times. The light will pulse to show that it can now be discovered.
- In the Hubspace app, tap the plus sign in the upper right corner and follow the instructions to discover devices. More than one device can be added at a time using this method.

4 Set up your voice assistant

- In the Hubspace app, tap the Hubspace button. 
- Select the Integrations tab, choose your voice assistant and follow the instructions.

Problems connecting to Hubspace device, see “troubleshooting” on page 17.

Voice Commands

The Las Olas 52 in. LED Indoor Smart Color Changing Ceiling Fan works with Alexa and Google Assistant.

This section lists some of the voice commands you can use. To view these and other commands, go to <http://hubspaceconnect.com/>.

Alexa

When you want to...	Ask Alexa to...
Turn on the fan only.	... turn on <device name> fan power.
Turn off the fan only.	... turn off <device name> fan power.
Turn on the light only.	... turn on <device name> light power.
Turn off the light only.	... turn off <device name> light power.
Change the brightness.	... Set <device name> brightness to 75%. ... Set <device name> light to 25%. ... Make <device name> dimmer. ... Make <device name> brighter. ... Dim <device name>. ... Brighten <device name>. ... Dim <group name>. ... Brighten <group name>.
Change the White Temperature.	... Change <device name> to Cool White. ... Change <device name> to Warm White. ... Change <device name> to Daylight White. ... Change <device name> to White.
Change the fan speed.	... Set <device name> speed to fastest. ... Set <device name> speed to fast. ... Set <device name> speed to medium. ... Set <device name> speed to slow. ... Increase <device name> speed. ... Decrease <device name> speed.
Turn on Comfort Breeze.	... Turn on Comfort Breeze on <device name>

Google

When you want to...	Ask Google to...
Turn on the fan only.	... turn on <device name> fan power.
Turn off the fan only.	... turn off <device name> fan power.
Turn on the light only.	... turn on <device name> light power.
Turn off the light only.	... turn off <device name> light power.
Change the brightness.	... Set <device name> brightness to 75%. ... Set <device name> light to 25%. ... Brighten <device name>. ... Dim <device name>. ... Brighten <room name>. ... Dim <room name>.
Change the White Temperature.	... Change <device name> to Ivory. ... Change <device name> to Daylight. ... Change <device name> to Cool White. ... Change <device name> to Warm White. ... Change <device name> to Incandescent.
Change the fan speed.	... Set <device name> speed to fastest. ... Set <device name> speed to fast. ... Set <device name> speed to medium. ... Set <device name> speed to slow. ... Increase <device name> speed. ... Decrease <device name> speed.
Turn on Comfort Breeze.	... Turn on Comfort Breeze on <device name>

Care and Cleaning



WARNING: Make sure the power is off before cleaning your fan.

- Because of the fan's natural movement, some connections may become loose. Check the support connections, brackets, and blade attachments twice a year. Make sure they are secure. It is not necessary to remove the fan from the ceiling.
- Clean your fan periodically to help maintain its new appearance over the years. Do not use water when cleaning, as this could damage the motor or the wood, or possibly cause an electrical shock. Use only a soft brush or lint-free cloth to avoid scratching the finish. The plating is sealed with a lacquer to minimize discoloration or tarnishing.
- You can apply a light coat of furniture polish to the wood for additional protection and enhanced beauty. Cover small scratches with a light application of shoe polish.
- You do not need to oil your fan. The motor has permanently-lubricated sealed ball bearings.

Troubleshooting

Problem	Solution
The fan will not start.	<ul style="list-style-type: none"> <input type="checkbox"/> Check the main and branch circuit fuses or breakers. <input type="checkbox"/> Check to make sure the wall switch is in the on position if applicable. <input type="checkbox"/> Check the line wire connections to the fan and switch wire connections in the switch housing. <input type="checkbox"/> Check the battery in the transmitter. <input type="checkbox"/> Ensure you are in the normal range of 10-20 feet. <input type="checkbox"/> Ensure the dip switch settings are the same on the transmitter and receiver. <input type="checkbox"/> Remember to turn off the power supply before checking the dip switches settings.
The fan is noisy.	<ul style="list-style-type: none"> <input type="checkbox"/> Ensure all motor housing screws are snug. <input type="checkbox"/> Ensure the screws that attach the fan blade bracket to the motor hub are tight. <input type="checkbox"/> Ensure the wire nut connections are not rattling against each other or the interior wall of the switch housing. <input type="checkbox"/> Allow a 24-hour "breaking in" period. Most noises associated with a new fan disappear during this time. <input type="checkbox"/> If you are using the Ceiling Fan light kit, ensure the screws securing the glassware are tight. Check that the light bulbs are also secure. <input type="checkbox"/> Ensure the canopy is a short distance from the ceiling. It should not touch the ceiling. <input type="checkbox"/> Ensure your outlet box is secure and rubber isolator pads were used between the mounting plate and outlet box.
The fan wobbles.	<ul style="list-style-type: none"> <input type="checkbox"/> Check that all blade and blade arm screws are secure. <input type="checkbox"/> Most fan wobble problems are caused when blade levels are unequal. Check this level by selecting a point on the ceiling above the tip of one of the blades. Measure from a point on the center of each blade to the point on the ceiling. Rotate the fan until the next blade is positioned for measurement. Repeat for each blade. Any measurement deviation should be within 1/8". Run the fan for ten minutes. If the fan continues to wobble please contact customer service and a balancing kit will be sent to you at no charge.

Hubspace™ Troubleshooting

My hubspace device is not connecting to Wi-Fi.	<ul style="list-style-type: none"> <input type="checkbox"/> Make sure your device is connected to a power source. <input type="checkbox"/> Your Internet connection or Wi-Fi network may be down.
My device cannot find any Wi-Fi networks.	<ul style="list-style-type: none"> <input type="checkbox"/> Make sure you have a 2.4GHz capable Wi-Fi network within range of the device you are trying to add.
My device is in a location that does not have Wi-Fi. Can I still use it with the Hubspace app?	<p>Yes:</p> <ul style="list-style-type: none"> <input type="checkbox"/> Use the app on a phone with an Internet connection like LTE. <input type="checkbox"/> The phone must be within Bluetooth range of your Hubspace device.
I cannot find the QR code.	<ul style="list-style-type: none"> <input type="checkbox"/> Look for it where other stickers are on the product. A copy of the QR code is also included in your device's documentation.
The QR code has become damaged. How do I add the device?	<ul style="list-style-type: none"> <input type="checkbox"/> Under the QR code are numbers. You can enter those in manually instead of scanning the code.
How do I reset the device?	<ul style="list-style-type: none"> <input type="checkbox"/> Remove the device from your account, then add it back. Devices also reset when they transfer to a new account.
A device is on another account. How do I transfer it?	<ul style="list-style-type: none"> <input type="checkbox"/> Scan the QR code and it will transfer to your account.
My device is offline for long periods of time.	<ul style="list-style-type: none"> <input type="checkbox"/> Make sure your Wi-Fi signal strength is sufficient. You may need to move your router, use mesh Wi-Fi, or Wi-Fi extenders.
The device is on and I scanned the QR code, but the app cannot connect to it.	<ul style="list-style-type: none"> <input type="checkbox"/> Turn off Bluetooth on your phone and turn it back on. Then, scan the QR code.
Can I scan the same QR code to add multiple products?	<ul style="list-style-type: none"> <input type="checkbox"/> No. Each product has a unique QR code.

HAMPTON BAY[®]

Questions, problems, missing parts? Before returning to the store,
call Hubspace Customer Service
8 a.m. - 7 p.m., EST, Monday-Friday, 9 a.m. - 6 p.m., EST, Saturday

1-877-592-5233

[HOMEDEPOT.COM/HUBSPACE](https://www.homedepot.com/hubspace)

Retain this manual for future use.