



AfoBot 2

Smart artificial assistant for all

Quick Installation Guide (English)

Version 1.00

Features

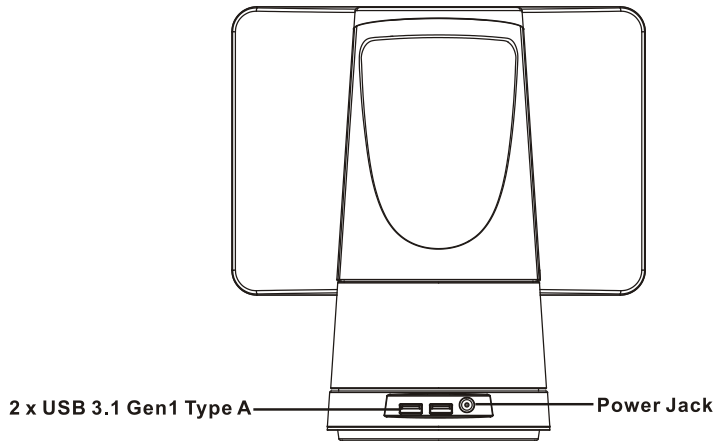
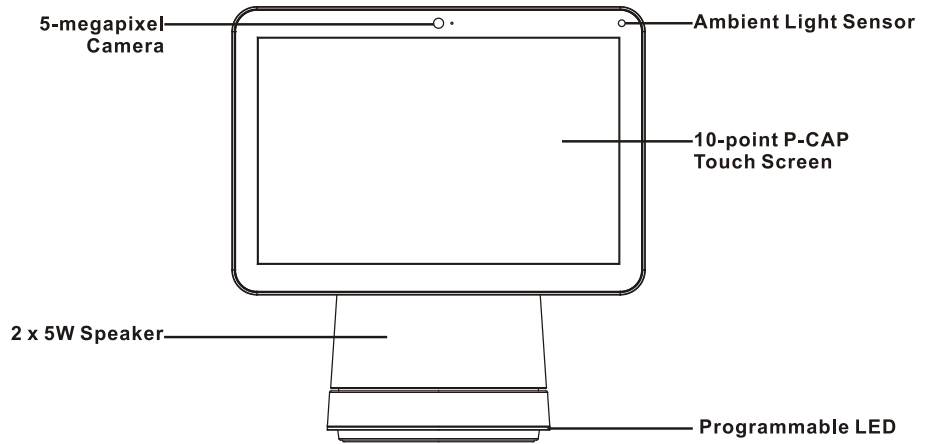
- 10" 16:10 IPS TFT LCD supports 10-point projected capacitive touch
- Dual-core ARM Cortex-A72 MPCore processor and quad-core ARM Cortex-A53 MPCore processor platform
- 5-megapixel camera, 2592×1944@15fps, F2.2, FF, FOV 103.5°
- 32GB eMMC flash on-board
- Support voice activation and voice control
- Built-in 802.11 a/b/g/n/ac wireless connection; Bluetooth 4.1
- Support Android 7.1

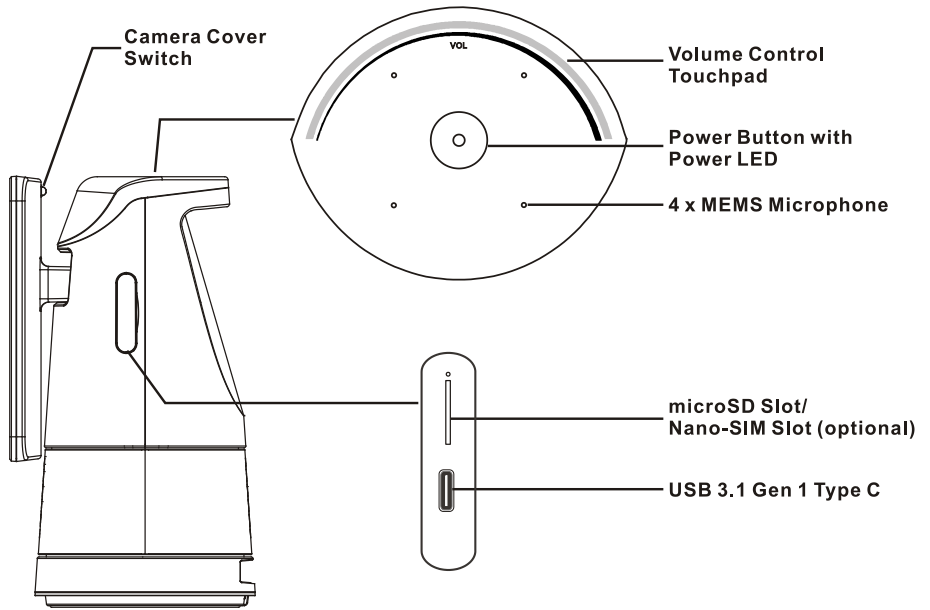
Package List

- 1 x AfoBot 2 assistant robot
- 1 x Power adapter
- 1 x QIG (Quick Installation Guide)

Knowing your AfoBot 2

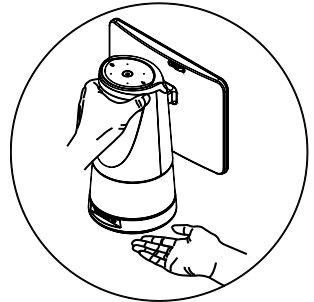
AfoBot 2 is an assistant robot which offers users an open, flexible and affordable way to develop innovative devices with state-of-the-art components. The diagram below provides an overview of the AfoBot 2.





⚠ Warning!

When moving AfoBot 2, hold AfoBot 2 with two hands as shown in the diagram to make sure AfoBot 2 does not fall down and get damaged.



Getting Started

Connect AfoBot 2 to a power source

To connect your AfoBot 2 to a power source, follow the steps below:

Step 1: Connect the supplied power adapter to the power jack on the rear of AfoBot 2.

Step 2: Connect the power adapter cable to any standard power outlet.

Warning!

- Use only the power adapter approved for this system. Use of another type of adapter may risk fire or explosion;
 - Do not apply voltage levels that exceed the specified voltage range. Doing so may cause fire and/or an electrical shock. Use a power cord that matches the voltage of the power outlet, which has been approved and complies with the safety standard of your particular country.
-

Turning AfoBot 2 on

To turn AfoBot 2 on, long press the power button on the top panel for 3~6 seconds until the power indicator in the center of the power button turns blue.

Switching AfoBot 2 to sleep mode

When not in use, you can turn off the display and switch the AfoBot 2 to sleep mode to save power. To switch to sleep mode, short press the power button located on the top panel.

Turning AfoBot 2 off

To turn AfoBot 2 off, long press the power button for a few seconds until the power-off menu appears on the screen. Tap **Power off** to turn off AfoBot 2 or tap **Reboot** to restart the system.

Adjust Volume

Volume is adjusted by the volume control touchpad located on the top panel. Swipe left to increase the volume; swipe right to decrease the volume. Or you can tap on the touchpad to adjust the volume to a desired level. The volume LED bar shows the current volume.

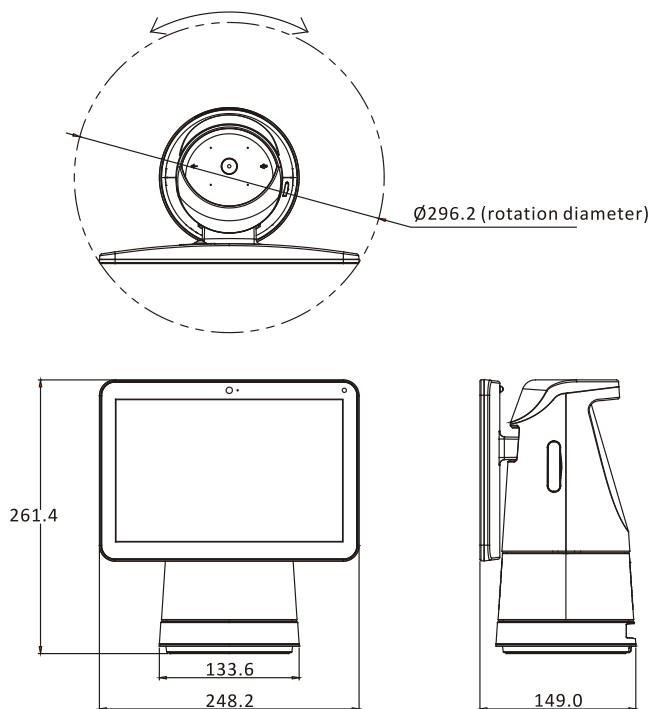
Install microSD Card

Locate the microSD card slot on the side of AfoBot 2. Pull out the card tray and place a microSD card onto the tray securely. Insert the card tray into the slot with the gold contacts facing the rear side. Push the tray until it clicks in place.

Specifications

SoC	Rockchip RK3399 Dual-core Cortex-A72 up to 2.0GHz Quad-core Cortex-A53 up to 1.5GHz Mali-T864 GPU
Memory	2GB on board
Storage	32GB eMMC on board
Display	10.1" 16:10 IPS TFT LCD; 1280x800 Full HD; 350nits
Touch Screen	P-CAP touch screen with 10-point multi-touch
Camera	5-megapixel front-facing camera 2592×1944@15fps, F2.2, FF, FOV 103.5° 1/4" OV5640 image sensor
Wi-Fi	802.11 a/b/g/n/ac, 2x2 dual band Bluetooth v4.1
External I/O Interface	1 x USB 3.1 Gen 1 Type C 2 x USB 3.1 Gen 1 Type A 1 x microSD card slot 1 x Nano-SIM slot (optional)
Motion	Body: 360° horizontal pan (motorized) Panel: Vertical tilt (manually)
Microphone	4 x MEMS microphone
Audio	2 x 5W speaker Noise reduction, echo canceling, position recognition
Audio Solution	Conexant CX20924 + CX20721
LED Light	RGB programmable
Sensor	Ambient light sensor
Operating System	Android Nougat 7.1
Power Button	Physical push button with power LED
Volume Control	Touchpad (on top panel)
Power Supply	AC Input: 100-240V AC, 50/60Hz DC Output: 12V @ 3.34A
Operating Temperature	0°C ~ 40°C
Storage Temperature	-5°C ~ 45°C
Operating Humidity	5% ~95%, non-condensing
Dimensions (WxHxD)	248.2 mm x 261.4 mm x 149 mm
Weight	2452 g

Dimensions (Unit: mm)



Safety Instructions

Warning! Read the installation guide before connecting the system to the power source.

Warning! To prevent the system from overheating, do not operate it in an area that exceeds the maximum operating temperature described in the user manual.

Warning! Ultimate disposal of this product should be handled according to all national laws and regulations.

Warning! Risk of explosion if the battery is replaced by an incorrect type.

-Ensure to connect the power cord to a socket-outlet with earthing connection.

-Never open the equipment. For safety reasons, the equipment should be opened only by qualified skilled person.

IEI Support URL

http://new.ieiworld.com/tw/online_support_form

Compliance



This equipment has been tested and found to comply with specifications for CE marking. If the user modifies and/or installs other devices in the equipment, the CE conformity declaration may no longer apply.



Federal Communication Commission Interference Statement

This device complies with Part 15 of the FCC Rules. Operation is subject to the following two conditions: (1) This device may not cause harmful interference, and (2) this device must accept any interference received, including interference that may cause undesired operation.

This equipment has been tested and found to comply with the limits for a Class B digital device, pursuant to Part 15 of the FCC Rules. These limits are designed to provide reasonable protection against harmful interference in a residential installation. This equipment generates, uses and can radiate radio frequency energy and, if not installed and used in accordance with the instructions, may cause harmful interference to radio communications. However, there is no guarantee that interference will not occur in a particular installation. If this equipment does cause harmful interference to radio or television reception, which can be determined by turning the equipment off and on, the user is encouraged to try to correct the interference by one of the following measures:

- Reorient or relocate the receiving antenna.
- Increase the separation between the equipment and receiver.
- Connect the equipment into an outlet on a circuit different from that to which the receiver is connected.
- Consult the dealer or an experienced radio/TV technician for help.

FCC Caution: Any changes or modifications not expressly approved by the party responsible for compliance could void the user's authority to operate this equipment.

This transmitter must not be co-located or operating in conjunction with any other antenna or transmitter.

This device meets all the other requirements specified in Part 15E, Section 15.407 of the FCC Rules.

Radiation Exposure Statement

This equipment complies with FCC radiation exposure limits set forth for an uncontrolled environment. This equipment should be installed and operated with minimum distance 20cm between the radiator & your body.

Note: The country code selection is for non-US model only and is not available to all US model. Per FCC regulation, all WiFi product marketed in US must fixed to US operation channels only.



The label on the product indicates this product conforms to European (EU) Restriction of Hazardous Substances (RoHS) that set maximum concentration limits on hazardous materials used in electrical and electronic equipment.



According to the requirement of the WEEE legislation the following user information is provided to customers for all branded IEI Electronics products subject to the WEEE directive.

This symbol on the product or on its packaging indicates that this product must not be disposed of with your other household waste. Instead, it is your responsibility to dispose of your waste equipment by handing it over to a designated collection point for the recycling of waste electrical and electronic equipment. The separate collection and recycling of your waste equipment at the time of disposal will help to conserve natural resources and ensure that it is recycled in a manner that protects human health and the environment. For more information about where you can drop o- your waste equipment for recycling, please contact your local city office, your household waste disposal service or the shop where you purchased the product.