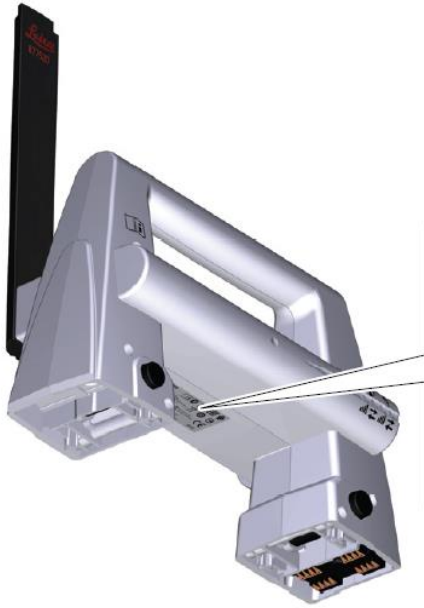


# RH18



**Model: RH18**

Art. No.: 922840

S.No.: 1234567

Power: 5.0V - 17.5V = 3W max.

Leica Geosystems AG

CH-9435 Heerbrugg

Made in Austria

Manufactured: MM.YYYY

This device complies with part 15 of the FCC Rules.

Operation is subject to the following two conditions:

- (1) This device may not cause harmful interference, and
- (2) this device must accept any interference received, including interference that may cause undesired operation.



R 204-810006

R 204-210003



FCC-ID: RFD-RH18  
IC: 3177A-RH18