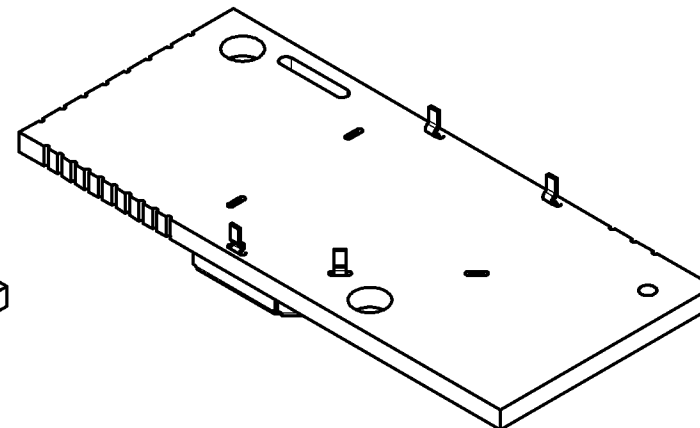
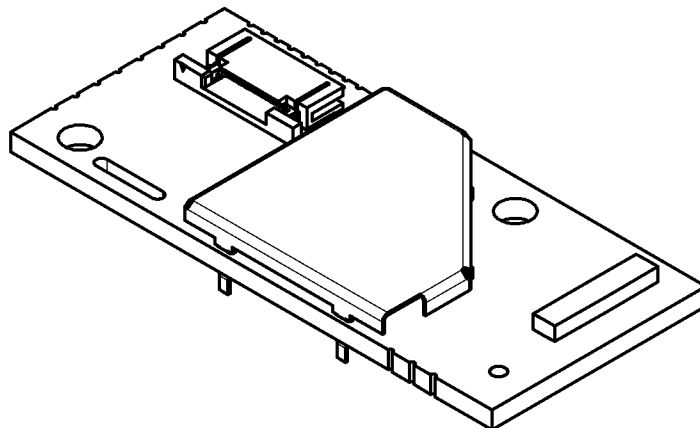
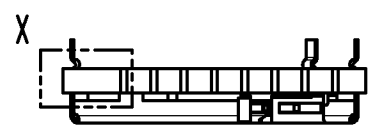
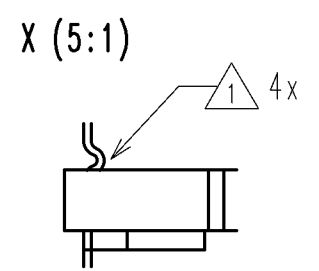
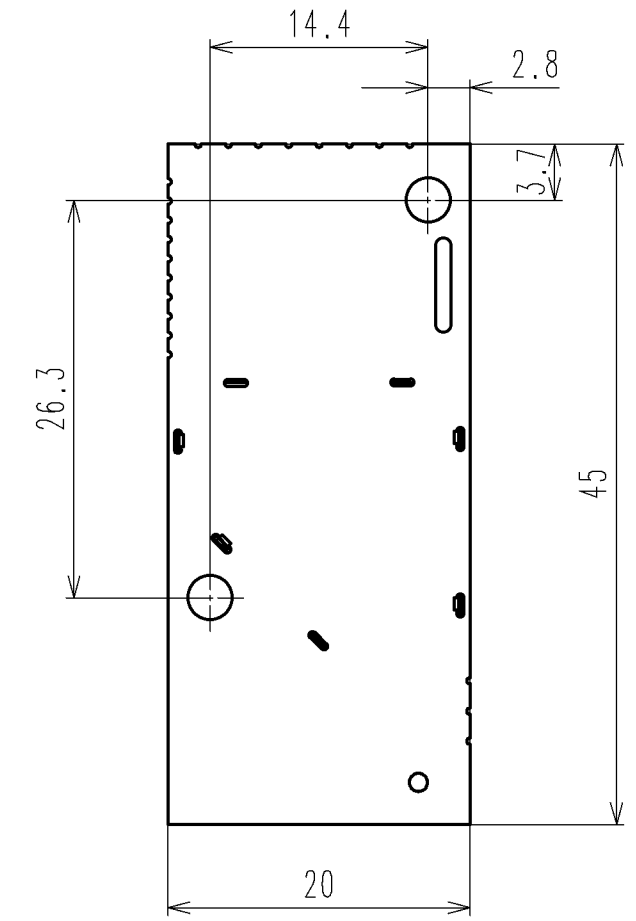
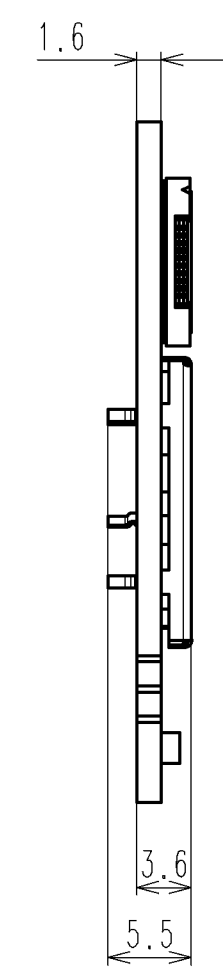
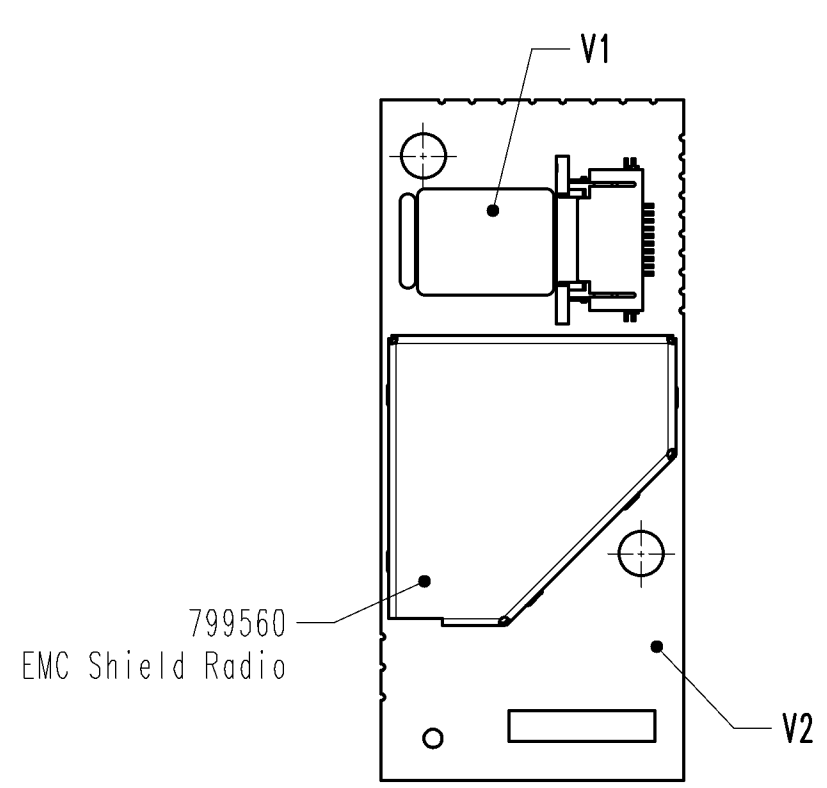


Symbol ISO 13715	Edge w/o indication small step-height / thickness	>2	
		≤2	
Permissible deviation for geometrical features w/o indication.	internal	0...+0.2	
	external	-0.05...-0.2	
	external	-0.05...-0.4	
Perm. deviation (mm) of angular dim. w/o tolerance per 100 mm	Basic size range of shorter side	>120...400	±0.3
		>50...120	±0.6
		>10...50	±0.9
		0.5...10	±1.7
Tol-class	f	±0.3	
	m	±0.4	
	c	±0.9	
Permissible deviation for linear dimensions without tolerance indication	Basic size range	>1000	±1.2
		>400...1000	±0.8
		>120...400	±0.5
		>30...120	±0.3
Tolerance class	f	±0.1	
	m	±0.2	
	c	±0.5	
Tolerance class	f	±0.05	
	m	±0.1	
	c	±0.2	
Tolerance class	f	±0.05	
	m	±0.1	
	c	±0.2	



V2 (PCBA Radio)	785749	785828
V1 (Label)	798958	805586
Art. Nr.	785749	785828
Art. Name	PCBA Radio - 100m	PCBA Radio - 300m

- ⚠ 2 PCBA with Shield and Label has same number as PCBA delivered from supplier
- ⚠ 1 Caution: High risk of short-circuit! Make sure feet don't contact vias or other components

Surface/Surface treatment (Ra in µm)		Material/Semifinished product		PCBA Radio - Family	
Viper		This drawing is not valid without release stamp.		Name	
Trade Name		Supersedes/Replaced by		Similar component	
We reserve all intellectual property rights in connection with this document. Copyright ©		15.10.2012 2D V1 310 Released Prototype LANG 4184		15.10.2012 2D V1 310 Released Prototype LANG 4184	
Checked		Date		Init./Tel.	
Engr.		15.10.12		LANG 4184	
Std.		15.10.12		LANG 4184	
Dept.		US6		O-F	
3		FKZ		805642	
(WWN 03.310)		SZF:en		Doc-Code	
				EDP/MAT/PROJ-N°	
				OP-N°	
				Index	