

Symbol
ISO 13715

Edge w/o indication
small step-height /
thickness ≤ 2
internal 0...+0.2 +0.2...+0.4
external 0.05...+0.2 0.05...+0.4

Permissible deviation for geometrical
features w/o indication.

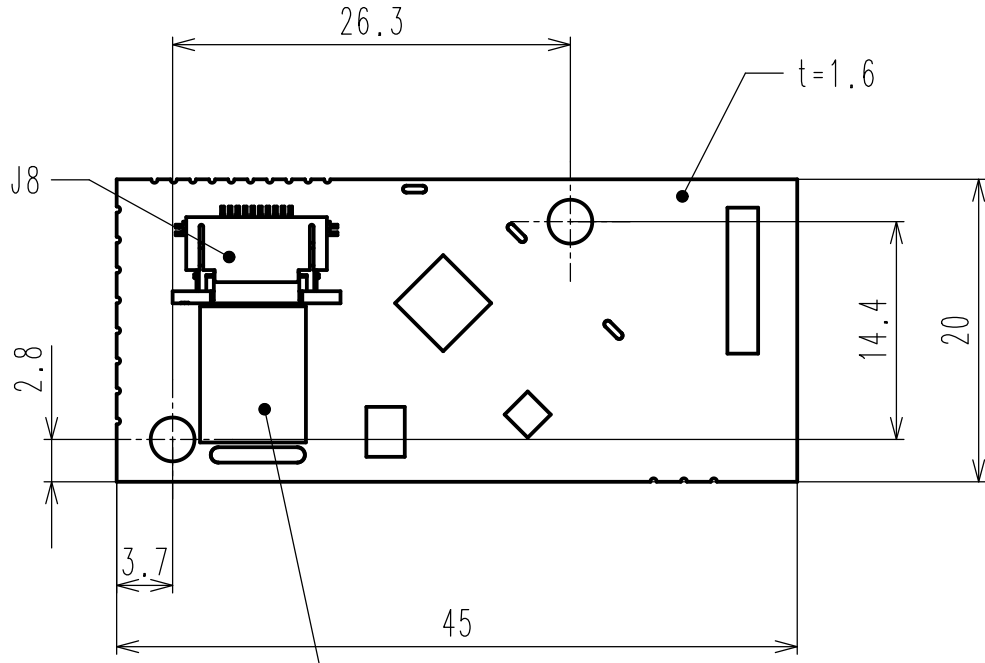
	0.5 0.2 0.1 0.5 0.3 0.4 0.2 0.1
	0.5 0.2 0.1 0.5 0.3 0.4 0.2 0.1

Perm. deviation (mm) of angular dim. w/o tolerance per 100 mm

Basic size range of shorter side	
Tol-class	0.5...10 >10...50 >50...120 >120...400
f / m	± 1.7 ± 0.9 ± 0.6 ± 0.3
c	± 2.5 ± 1.7 ± 0.9 ± 0.4

Permissible deviation for linear dimensions without tolerance indication

Basic size range	
>0.5...30	>30...120 >120...400 >400...1000 >1000
f	± 0.1 ± 0.15 ± 0.2 ± 0.3
m	± 0.2 ± 0.3 ± 0.5 ± 0.8



798958
Label for PCBA Radio 100m

1 For electronic informations see SEE, BEZ and STL-files

Surface/Surface treatment (Ra in μm)		Material/Semifinished product		Name	
Viper				PCBA Radio 100m	
Trade Name		Supersedes/Replaced by		Similar component	
We reserve all intellectual property rights in connection with this document. Copyright ©		Checked		Date	
ODA Electronics Limited		Date		Init./Tel.	
		Drawn		LANG 4184	
		Engr.			
		Std.			
		Dept.		0-F	
		US6		4	
		FKZ		785749	
(WWN 03.310)		SZF:en		Doc-Code	
		EDP/MAT/PROJ-N°		OP-N°	
		Index			

This drawing is not valid without release stamp.

Scale: **2:1**
(Copy not to scale)
Vers.: 1 Sheet 1 (1)