

ANNEX B System Validation Reports

Test Laboratory: Eurofins Product Service GmbH

Dipol Valid.1750 (m)_250mW ELI4_17.05.2019

DUT: Dipole 1750 MHz (D1750V2); Type: SA AAD 175 AA; Serial: 1126

Communication System: UID 0 - n/a, CW; Frequency: 1750 MHz; Duty Cycle: 1:1
Medium: Muscle 1800 MHz Medium parameters used: $f = 1750$ MHz; $\sigma = 1.473$ S/m; $\epsilon_r = 53.953$; $\rho = 1000$ kg/m³
Phantom section: Flat Section

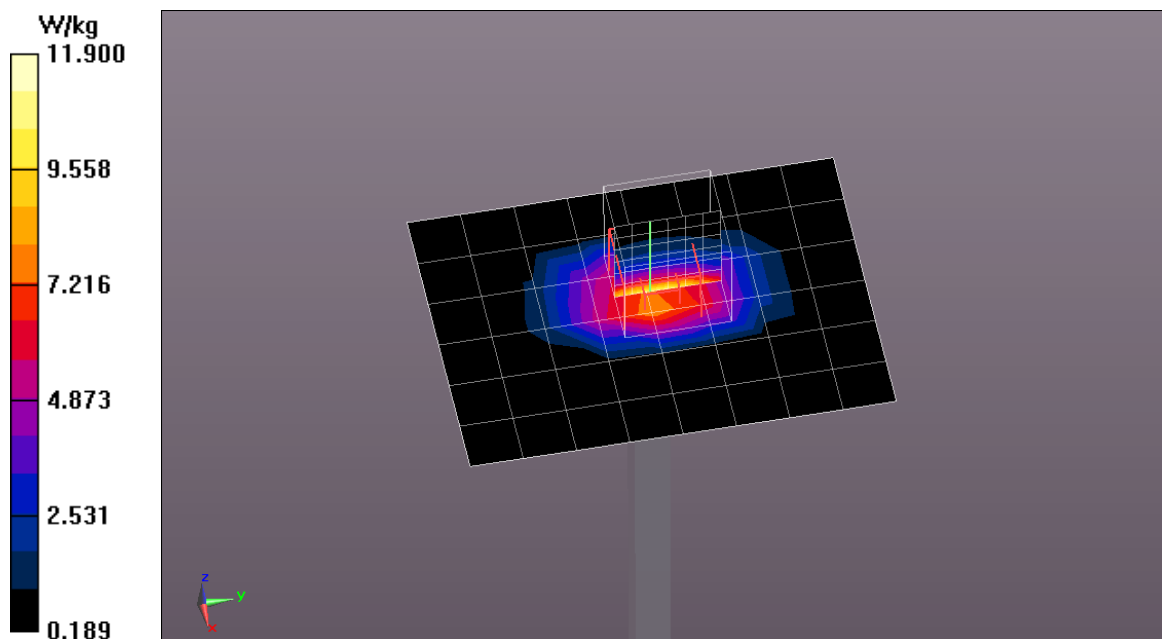
Measurement Standard: DASYS (IEEE/IEC/ANSI C63.19-2007)

DASY5.2 Configuration:

- Probe: EX3DV4 - SN3893; ConvF(8.66, 8.66, 8.66); Calibrated: 2018-09-20;
- Sensor-Surface: 4mm (Mechanical Surface Detection)
- Electronics: DAE3 Sn522; Calibrated: 2018-09-17
- Phantom: Flat Phantom ELI4.0; Type: QDOVA001BB; Serial: SN:1013
- Measurement SW: DASYS2, Version 52.8 (6); SEMCAD X Version 14.6.9 (7117)

System Performance Check at Frequencies above 1 GHz/d=10mm, Pin=250 mW, dist=4.0mm (EX-Probe)/Area Scan (7x9x1): Measurement grid: dx=15mm, dy=15mm
Maximum value of SAR (measured) = 7.92 W/kg

System Performance Check at Frequencies above 1 GHz/d=10mm, Pin=250 mW, dist=4.0mm (EX-Probe)/Zoom Scan (7x7x7) (7x7x7)/Cube 0: Measurement grid: dx=5mm, dy=5mm, dz=5mm
Reference Value = 82.825 V/m; Power Drift = 0.02 dB
Peak SAR (extrapolated) = 17.6 W/kg
SAR(1 g) = 9.52 W/kg; SAR(10 g) = 5 W/kg
Maximum value of SAR (measured) = 10.7 W/kg



Test Laboratory: Eurofins Product Service GmbH

Dipol Valid.750 (m)_250mW ELI4_27.05.2019

DUT: Dipole 750 MHz; Type: D750V3; Serial: 1125

Communication System: UID 0 - n/a, CW; Frequency: 750 MHz; Duty Cycle: 1:1
Medium: Muscle 750 MHz Medium parameters used: $f = 750 \text{ MHz}$; $\sigma = 0.986 \text{ S/m}$; $\epsilon_r = 54.145$; $\rho = 1000 \text{ kg/m}^3$
Phantom section: Flat Section

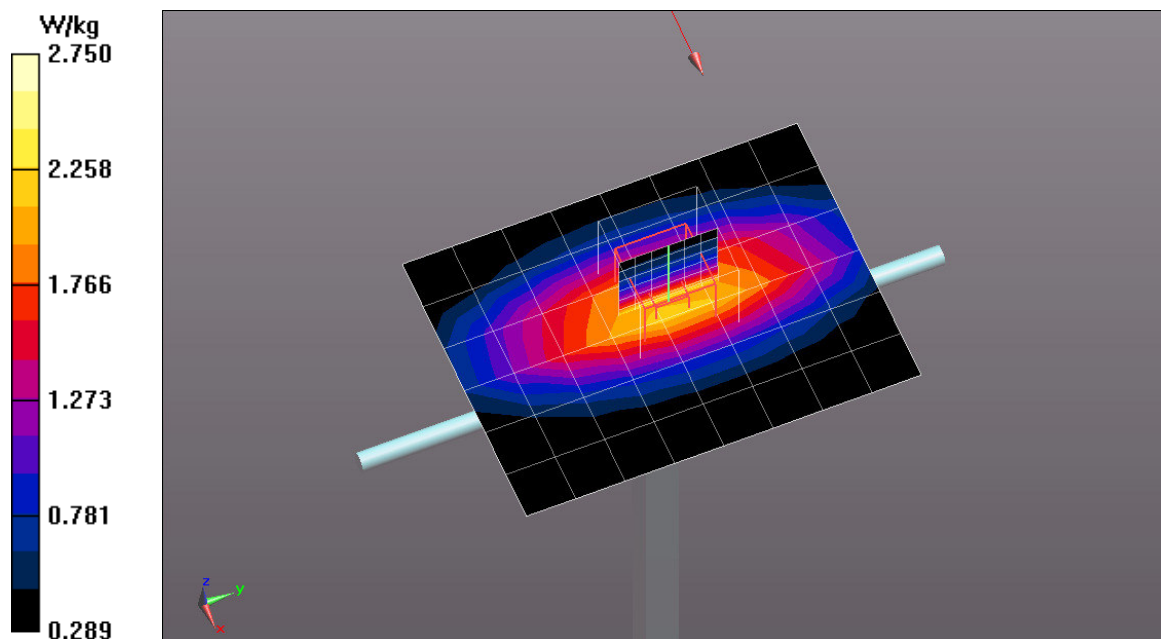
Measurement Standard: DASY5 (IEEE/IEC/ANSI C63.19-2007)

DASY5.2 Configuration:

- Probe: EX3DV4 - SN3893; ConvF(10.54, 10.54, 10.54); Calibrated: 2018-09-20;
- Sensor-Surface: 4mm (Mechanical Surface Detection), Sensor-Surface: 2mm (Mechanical Surface Detection)
- Electronics: DAE3 Sn522; Calibrated: 2018-09-17
- Phantom: Flat Phantom ELI4.0; Type: QDOVA001BB; Serial: SN:1013
- Measurement SW: DASY52, Version 52.8 (6); SEMCAD X Version 14.6.9 (7117)

System Performance Check at Frequencies below 1 GHz/d=15mm, Pin=250 mW, dist=4.0mm (EX-Probe)/Area Scan (7x9x1): Measurement grid: dx=15mm, dy=15mm
Maximum value of SAR (measured) = 2.17 W/kg

System Performance Check at Frequencies below 1 GHz/d=15mm, Pin=250 mW, dist=4.0mm (EX-Probe)/Zoom Scan (7x7x7) (7x7x7)/Cube 0: Measurement grid: dx=5mm, dy=5mm, dz=5mm
Reference Value = 53.940 V/m; Power Drift = 0.01 dB
Peak SAR (extrapolated) = 3.21 W/kg
SAR(1 g) = 2.19 W/kg; SAR(10 g) = 1.46 W/kg
Maximum value of SAR (measured) = 2.75 W/kg



Test Laboratory: Eurofins Product Service GmbH

Dipol Valid.1900 (m)_250mW ELI4_06.06.2019

DUT: Dipole 1900 MHz; Type: D1900V2; Serial: 5d025

Communication System: UID 0 - n/a, CW; Frequency: 1900 MHz; Duty Cycle: 1:1
Medium: Muscle 1900 MHz Medium parameters used (interpolated): $f = 1900$ MHz; $\sigma = 1.532$ S/m; $\epsilon_r = 53.277$; $\rho = 1000$ kg/m³
Phantom section: Flat Section

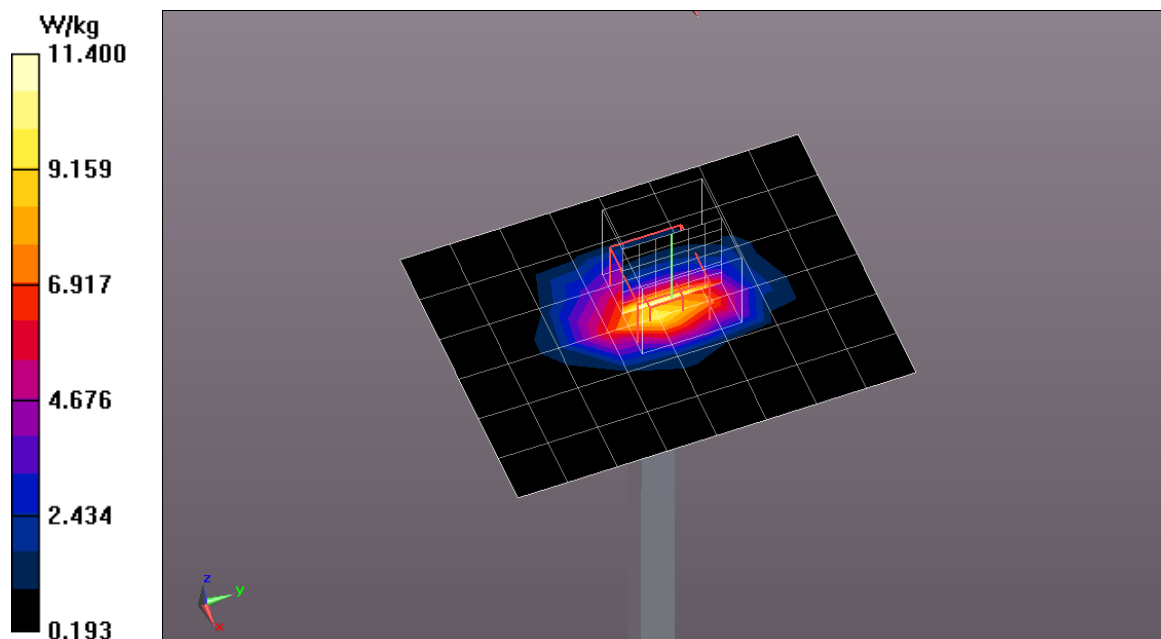
Measurement Standard: DASYS (IEEE/IEC/ANSI C63.19-2007)

DASY5.2 Configuration:

- Probe: EX3DV4 - SN3893; ConvF(8.47, 8.47, 8.47); Calibrated: 2018-09-20;
- Sensor-Surface: 4mm (Mechanical Surface Detection)
- Electronics: DAE3 Sn522; Calibrated: 2018-09-17
- Phantom: Flat Phantom ELI4.0; Type: QDOVA001BB; Serial: SN:1013
- Measurement SW: DASY52, Version 52.8 (6); SEMCAD X Version 14.6.9 (7117)

System Performance Check at Frequencies above 1 GHz/d=10mm, Pin=250 mW, dist=4.0mm (EX-Probe)/Area Scan (7x9x1): Measurement grid: dx=15mm, dy=15mm
Maximum value of SAR (measured) = 9.87 W/kg

System Performance Check at Frequencies above 1 GHz/d=10mm, Pin=250 mW, dist=4.0mm (EX-Probe)/Zoom Scan (7x7x7) (7x7x7)/Cube 0: Measurement grid: dx=5mm, dy=5mm, dz=5mm
Reference Value = 85.903 V/m; Power Drift = 0.03 dB
Peak SAR (extrapolated) = 18.5 W/kg
SAR(1 g) = 10.2 W/kg; SAR(10 g) = 5.32 W/kg
Maximum value of SAR (measured) = 11.4 W/kg



Test Laboratory: Eurofins Product Service GmbH

Dipol Valid.900 (m)_250mW ELI4_07.06.2019

DUT: Dipole 900 MHz; Type: D900V2; Serial: 164

Communication System: UID 0 - n/a, CW; Frequency: 900 MHz; Duty Cycle: 1:1
Medium: Muscle 900 MHz Medium parameters used: $f = 900 \text{ MHz}$; $\sigma = 1.027 \text{ S/m}$; $\epsilon_r = 52.739$; $\rho = 1000 \text{ kg/m}^3$
Phantom section: Flat Section

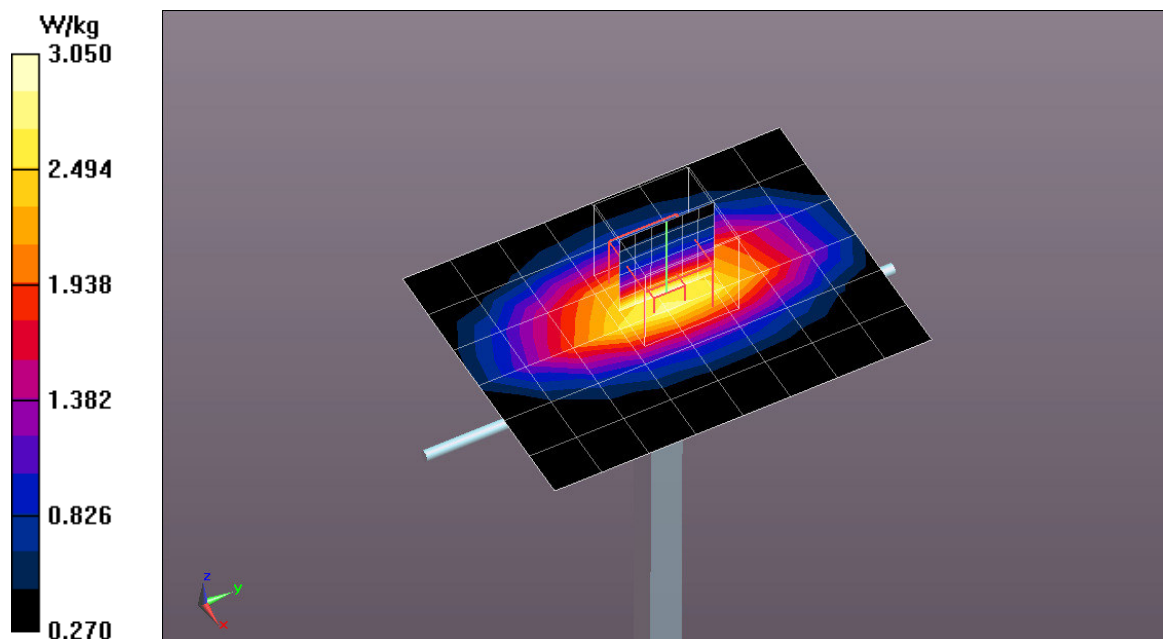
Measurement Standard: DASY5 (IEEE/IEC/ANSI C63.19-2007)

DASY5.2 Configuration:

- Probe: EX3DV4 - SN3893; ConvF(10.17, 10.17, 10.17); Calibrated: 2018-09-20;
- Sensor-Surface: 4mm (Mechanical Surface Detection)
- Electronics: DAE3 Sn522; Calibrated: 2018-09-17
- Phantom: Flat Phantom ELI4.0; Type: QDOVA001BB; Serial: SN:1013
- Measurement SW: DASY52, Version 52.8 (6); SEMCAD X Version 14.6.9 (7117)

System Performance Check at Frequencies below 1 GHz/d=15mm, Pin=250 mW, dist=4.0mm (EX-Probe)/Area Scan (7x9x1): Measurement grid: dx=15mm, dy=15mm
Maximum value of SAR (measured) = 2.76 W/kg

System Performance Check at Frequencies below 1 GHz/d=15mm, Pin=250 mW, dist=4.0mm (EX-Probe)/Zoom Scan (7x7x7) (7x7x7)/Cube 0: Measurement grid: dx=5mm, dy=5mm, dz=5mm
Reference Value = 54.409 V/m; Power Drift = 0.00 dB
Peak SAR (extrapolated) = 4.24 W/kg
SAR(1 g) = 2.82 W/kg; SAR(10 g) = 1.84 W/kg
Maximum value of SAR (measured) = 3.05 W/kg



Test Laboratory: Eurofins Product Service GmbH

Dipol Valid.2450 (m)_250mW ELI4_21.06.2019

DUT: Dipole 2450 MHz; Type: D2450V2; Serial: 722

Communication System: UID 0 - n/a, CW; Frequency: 2450 MHz; Duty Cycle: 1:1
Medium: Muscle 2450 MHz Medium parameters used (interpolated): $f = 2450$ MHz; $\sigma = 1.987$ S/m; $\epsilon_r = 51.674$; $\rho = 1000$ kg/m³
Phantom section: Flat Section

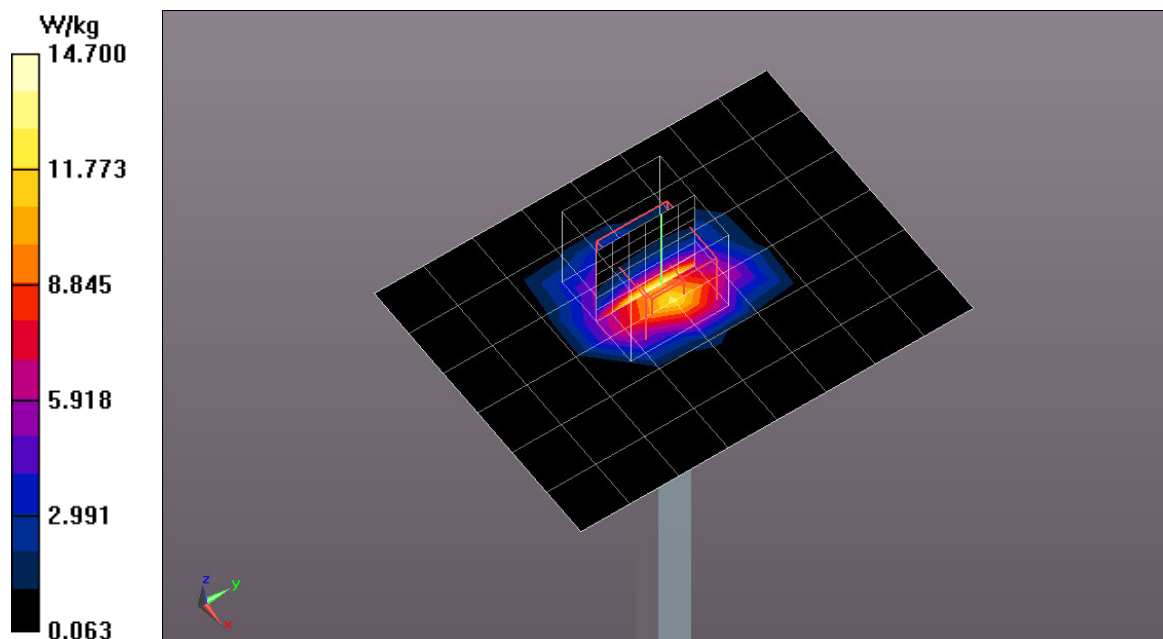
Measurement Standard: DASYS (IEEE/IEC/ANSI C63.19-2007)

DASY5.2 Configuration:

- Probe: EX3DV4 - SN3893; ConvF(7.88, 7.88, 7.88); Calibrated: 2018-09-20;
- Sensor-Surface: 4mm (Mechanical Surface Detection)
- Electronics: DAE3 Sn522; Calibrated: 2018-09-17
- Phantom: Flat Phantom ELI4.0; Type: QDOVA001BB; Serial: SN:1013
- Measurement SW: DASY52, Version 52.8 (6); SEMCAD X Version 14.6.9 (7117)

System Performance Check at Frequencies above 1 GHz/d=10mm, Pin=250 mW, dist=4.0mm (EX-Probe)/Area Scan (7x9x1): Measurement grid: dx=15mm, dy=15mm
Maximum value of SAR (measured) = 12.3 W/kg

System Performance Check at Frequencies above 1 GHz/d=10mm, Pin=250 mW, dist=4.0mm (EX-Probe)/Zoom Scan (7x7x7) (7x7x7)/Cube 0: Measurement grid: dx=5mm, dy=5mm, dz=5mm
Reference Value = 92.151 V/m; Power Drift = 0.05 dB
Peak SAR (extrapolated) = 27.7 W/kg
SAR(1 g) = 13.1 W/kg; SAR(10 g) = 5.95 W/kg
Maximum value of SAR (measured) = 14.7 W/kg



ANNEX C SAR Measurement Reports

Test Laboratory: Eurofins Product Service GmbH

UMTS FDD IV_CH 1513_RMC_12.2kbps_Flat_Bottom_0mm

DUT: CS20 LTE Disto (US, CA); Type: Field Controller Win EC7; Serial: 2475478

Communication System: UID 0 - n/a, UMTS FDD IV; Frequency: 1752.6 MHz; Duty Cycle: 1:1
Medium: Muscle 1800 MHz Medium parameters used (interpolated): $f = 1752.6$ MHz; $\sigma = 1.476$ S/m; $\epsilon_r = 53.951$; $\rho = 1000$ kg/m³
Phantom section: Flat Section

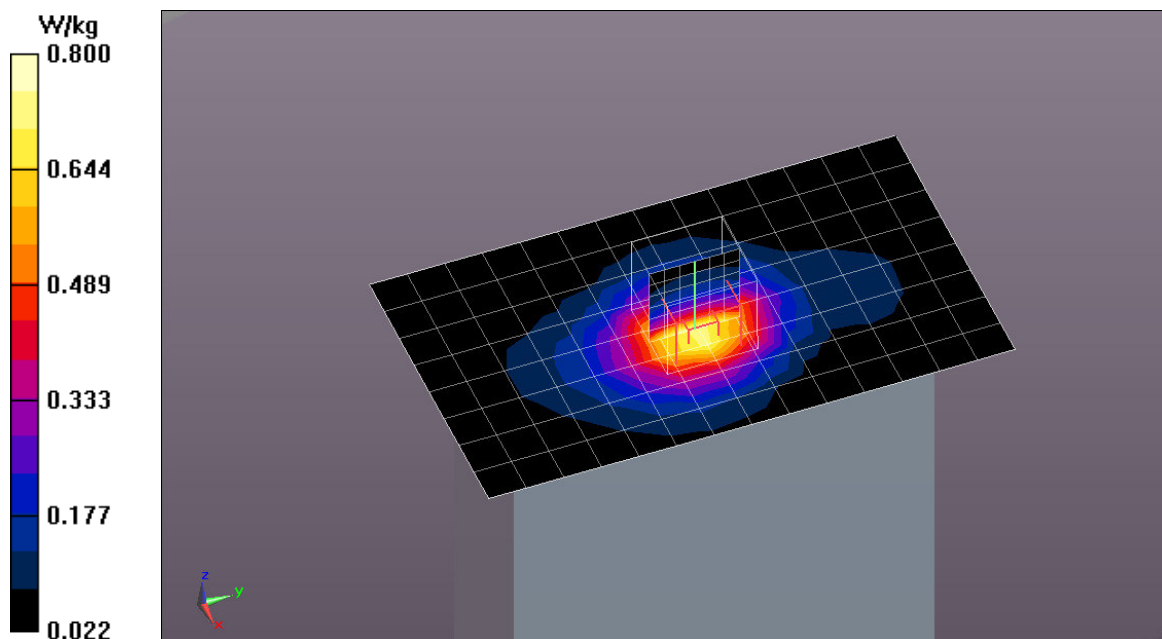
Measurement Standard: DASYS (IEEE/IEC/ANSI C63.19-2007)

DASY5.2 Configuration:

- Probe: EX3DV4 - SN3893; ConvF(8.66, 8.66, 8.66); Calibrated: 2018-09-20;
- Sensor-Surface: 4mm (Mechanical Surface Detection)
- Electronics: DAE3 Sn522; Calibrated: 2018-09-17
- Phantom: Flat Phantom ELI4.0; Type: QDOVA001BB; Serial: SN:1013
- Measurement SW: DASY52, Version 52.8 (6); SEMCAD X Version 14.6.9 (7117)

Configuration/CS20 LTE Disto/Area Scan (9x15x1): Measurement grid: dx=12mm, dy=12mm
Maximum value of SAR (measured) = 0.761 W/kg

Configuration/CS20 LTE Disto/Zoom Scan (7x7x7)/Cube 0: Measurement grid: dx=5mm, dy=5mm, dz=5mm
Reference Value = 19.988 V/m; Power Drift = -0.06 dB
Peak SAR (extrapolated) = 1.18 W/kg
SAR(1 g) = 0.731 W/kg; SAR(10 g) = 0.434 W/kg
Maximum value of SAR (measured) = 0.800 W/kg



Test Laboratory: Eurofins Product Service GmbH

LTE FDD 4_CH 20175_RMC_QPSK_BW20_RB1 Start0_Flat_Bottom_0mm

DUT: CS20 LTE Disto (US, CA); Type: Field Controller Win EC7; Serial: 2475478

Communication System: UID 0 - n/a, LTE FDD 4; Frequency: 1732.5 MHz; Duty Cycle: 1:1
Medium: Muscle 1800 MHz Medium parameters used (interpolated): $f = 1732.5$ MHz; $\sigma = 1.451$ S/m; $\epsilon_r = 54.024$; $\rho = 1000$ kg/m³
Phantom section: Flat Section

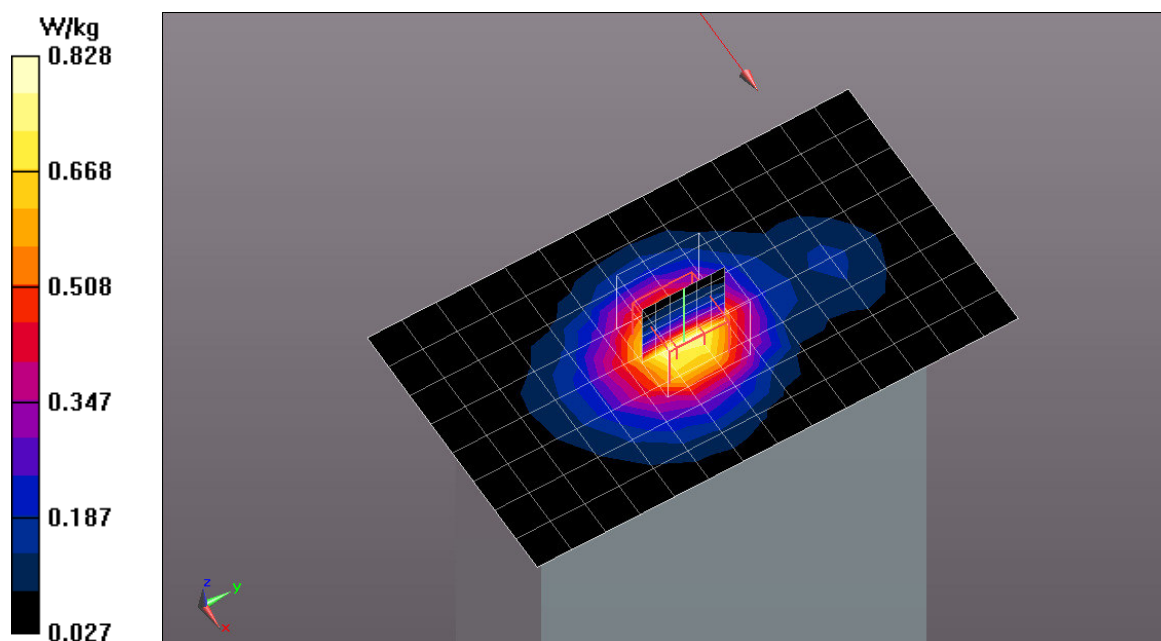
Measurement Standard: DASYS (IEEE/IEC/ANSI C63.19-2007)

DASY5.2 Configuration:

- Probe: EX3DV4 - SN3893; ConvF(8.66, 8.66, 8.66); Calibrated: 2018-09-20;
- Sensor-Surface: 4mm (Mechanical Surface Detection)
- Electronics: DAE3 Sn522; Calibrated: 2018-09-17
- Phantom: Flat Phantom ELI4.0; Type: QDOVA001BB; Serial: SN:1013
- Measurement SW: DASY52, Version 52.8 (6); SEMCAD X Version 14.6.9 (7117)

Configuration/CS20 LTE Disto/Area Scan (9x15x1): Measurement grid: dx=12mm, dy=12mm
Maximum value of SAR (measured) = 0.835 W/kg

Configuration/CS20 LTE Disto/Zoom Scan (7x7x7)/Cube 0: Measurement grid: dx=5mm, dy=5mm, dz=5mm
Reference Value = 21.417 V/m; Power Drift = -0.16 dB
Peak SAR (extrapolated) = 1.21 W/kg
SAR(1 g) = 0.759 W/kg; SAR(10 g) = 0.457 W/kg
Maximum value of SAR (measured) = 0.828 W/kg



Test Laboratory: Eurofins Product Service GmbH

LTE FDD12_CH 23060_RMC_QPSK_BW10_RB1 Start24_Flat_Bottom_0mm

DUT: CS20 LTE Disto (US, CA); Type: Field Controller Win EC7; Serial: 2475478

Communication System: UID 0 - n/a, LTE FDD 12; Frequency: 704 MHz; Duty Cycle: 1:1
Medium: Muscle 750 MHz Medium parameters used (interpolated): $f = 704$ MHz; $\sigma = 0.941$ S/m; $\epsilon_r = 54.624$; $\rho = 1000$ kg/m³
Phantom section: Flat Section

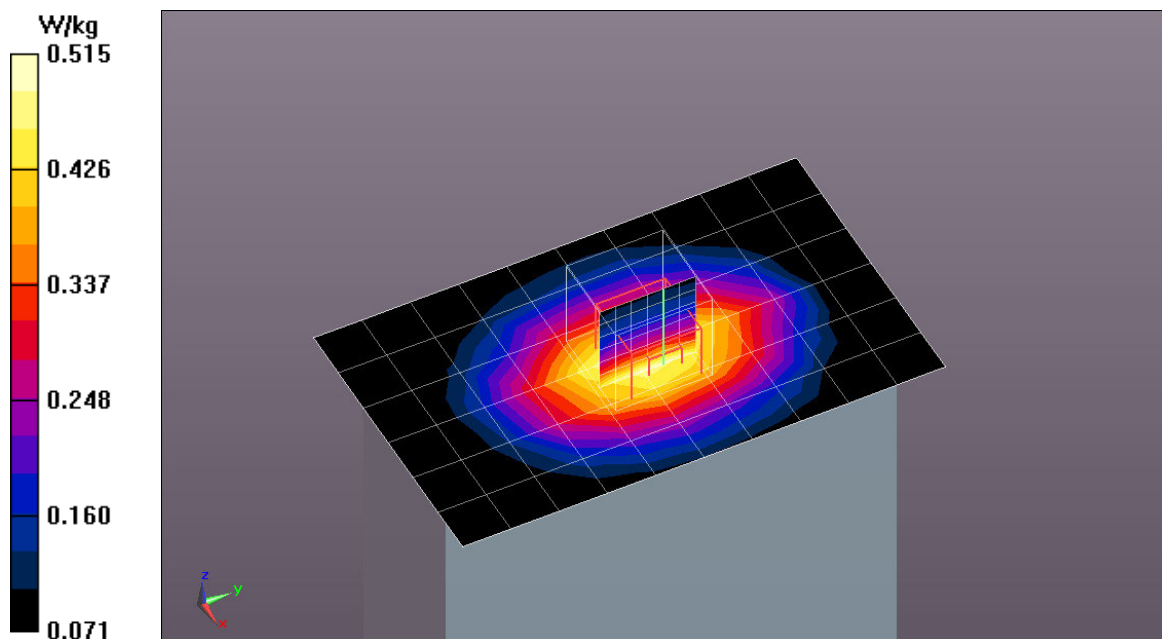
Measurement Standard: DASYS (IEEE/IEC/ANSI C63.19-2007)

DASY5.2 Configuration:

- Probe: EX3DV4 - SN3893; ConvF(10.54, 10.54, 10.54); Calibrated: 2018-09-20;
- Sensor-Surface: 4mm (Mechanical Surface Detection)
- Electronics: DAE3 Sn522; Calibrated: 2018-09-17
- Phantom: Flat Phantom ELI4.0; Type: QDOVA001BB; Serial: SN:1013
- Measurement SW: DASYS2, Version 52.8 (6); SEMCAD X Version 14.6.9 (7117)

Configuration/CS20 LTE Disto/Area Scan (7x11x1): Measurement grid: dx=15mm, dy=15mm
Maximum value of SAR (measured) = 0.514 W/kg

Configuration/CS20 LTE Disto/Zoom Scan (7x7x7)/Cube 0: Measurement grid: dx=5mm, dy=5mm, dz=5mm
Reference Value = 23.025 V/m; Power Drift = -0.05 dB
Peak SAR (extrapolated) = 0.698 W/kg
SAR(1 g) = 0.486 W/kg; SAR(10 g) = 0.350 W/kg
Maximum value of SAR (measured) = 0.515 W/kg



Test Laboratory: Eurofins Product Service GmbH

LTE FDD13_CH 23230_RMC_QPSK_BW10_RB1 Start0_Flat_Bottom_0mm

DUT: CS20 LTE Disto (US, CA); Type: Field Controller Win EC7; Serial: 2475478

Communication System: UID 0 - n/a, LTE FDD 13; Frequency: 782 MHz; Duty Cycle: 1:1
Medium: Muscle 750 MHz Medium parameters used: $f = 782 \text{ MHz}$; $\sigma = 1.015 \text{ S/m}$; $\epsilon_r = 53.775$; $\rho = 1000 \text{ kg/m}^3$
Phantom section: Flat Section

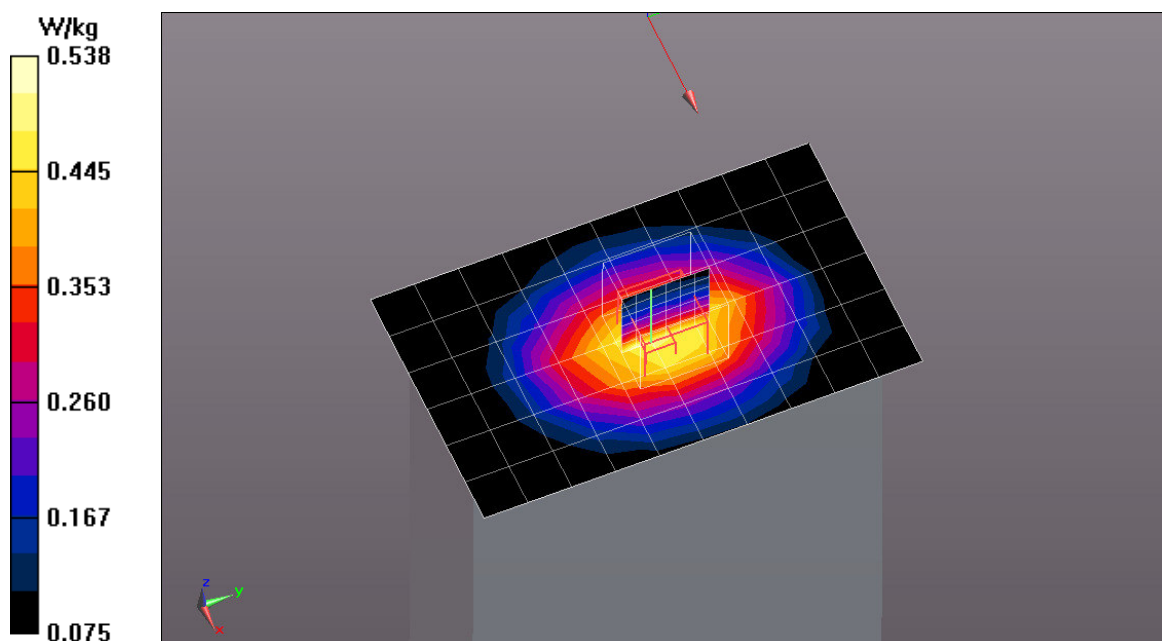
Measurement Standard: DASYS (IEEE/IEC/ANSI C63.19-2007)

DASY5.2 Configuration:

- Probe: EX3DV4 - SN3893; ConvF(10.54, 10.54, 10.54); Calibrated: 2018-09-20;
- Sensor-Surface: 4mm (Mechanical Surface Detection)
- Electronics: DAE3 Sn522; Calibrated: 2018-09-17
- Phantom: Flat Phantom ELI4.0; Type: QDOVA001BB; Serial: SN:1013
- Measurement SW: DASYS2, Version 52.8 (6); SEMCAD X Version 14.6.9 (7117)

Configuration/CS20 LTE Disto/Area Scan (7x11x1): Measurement grid: dx=15mm, dy=15mm
Maximum value of SAR (measured) = 0.501 W/kg

Configuration/CS20 LTE Disto/Zoom Scan (7x7x7)/Cube 0: Measurement grid: dx=5mm, dy=5mm, dz=5mm
Reference Value = 22.379 V/m; Power Drift = 0.02 dB
Peak SAR (extrapolated) = 0.707 W/kg
SAR(1 g) = 0.491 W/kg; SAR(10 g) = 0.358 W/kg
Maximum value of SAR (measured) = 0.538 W/kg



Test Laboratory: Eurofins Product Service GmbH

GPRS 1900_CH 810_GMSK_UL 4x Slot_CS1_Gamma3_Flat_Bottom_0mm

DUT: CS20 LTE Disto (US, CA); Type: Field Controller Win EC7; Serial: 2475478

Communication System: UID 0 - n/a, GPRS 1900 4xSlot; Frequency: 1909.8 MHz;Duty Cycle: 1:2.18776
Medium: Muscle 1900 MHz Medium parameters used (interpolated): $f = 1909.8$ MHz; $\sigma = 1.535$ S/m; $\epsilon_r = 53.232$; $\rho = 1000$ kg/m³
Phantom section: Flat Section

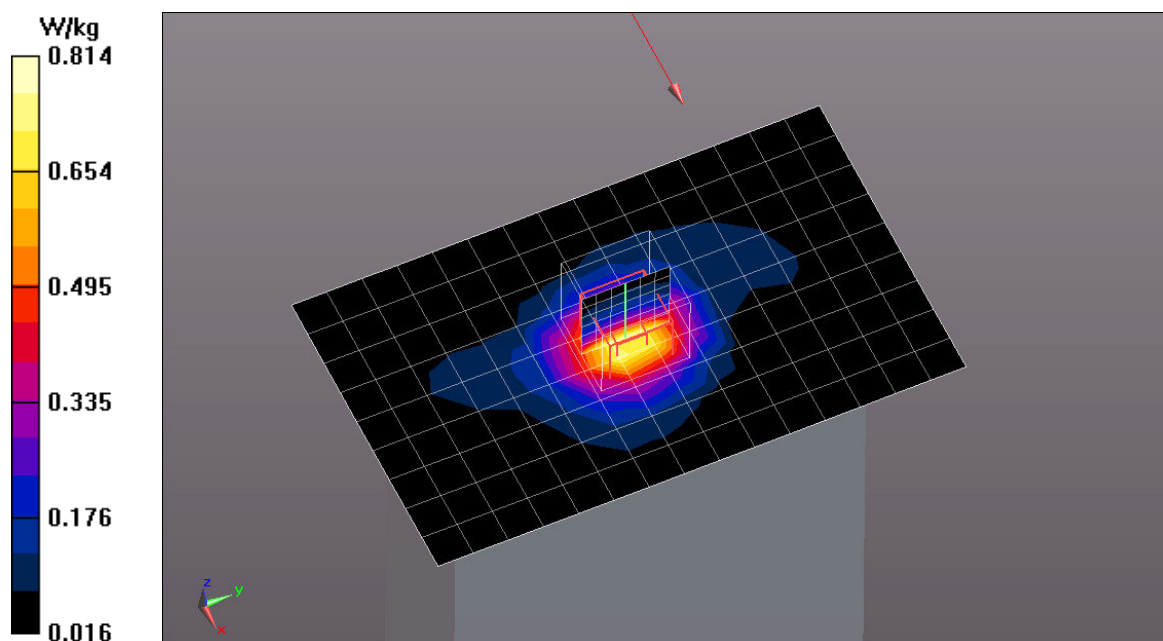
Measurement Standard: DASYS (IEEE/IEC/ANSI C63.19-2007)

DASY5.2 Configuration:

- Probe: EX3DV4 - SN3893; ConvF(8.47, 8.47, 8.47); Calibrated: 2018-09-20;
- Sensor-Surface: 4mm (Mechanical Surface Detection)
- Electronics: DAE3 Sn522; Calibrated: 2018-09-17
- Phantom: Flat Phantom ELI4.0; Type: QDOVA001BB; Serial: SN:1013
- Measurement SW: DASY52, Version 52.8 (6); SEMCAD X Version 14.6.9 (7117)

Configuration/CS20 LTE Disto/Area Scan (10x16x1): Measurement grid: dx=12mm, dy=12mm
Maximum value of SAR (measured) = 0.726 W/kg

Configuration/CS20 LTE Disto/Zoom Scan (7x7x7)/Cube 0: Measurement grid: dx=5mm, dy=5mm, dz=5mm
Reference Value = 24.152 V/m; Power Drift = -0.13 dB
Peak SAR (extrapolated) = 1.21 W/kg
SAR(1 g) = 0.742 W/kg; SAR(10 g) = 0.427 W/kg
Maximum value of SAR (measured) = 0.814 W/kg



Test Laboratory: Eurofins Product Service GmbH

UMTS FDD II_CH 9400_RMC_12.2kbps_Flat_Bottom_0mm

DUT: CS20 LTE Disto (US, CA); Type: Field Controller Win EC7; Serial: 2475478

Communication System: UID 0 - n/a, UMTS FDD II; Frequency: 1880 MHz; Duty Cycle: 1:1
Medium: Muscle 1900 MHz Medium parameters used (interpolated): $f = 1880$ MHz; $\sigma = 1.521$ S/m; $\epsilon_r = 53.38$;
 $\rho = 1000$ kg/m³
Phantom section: Flat Section

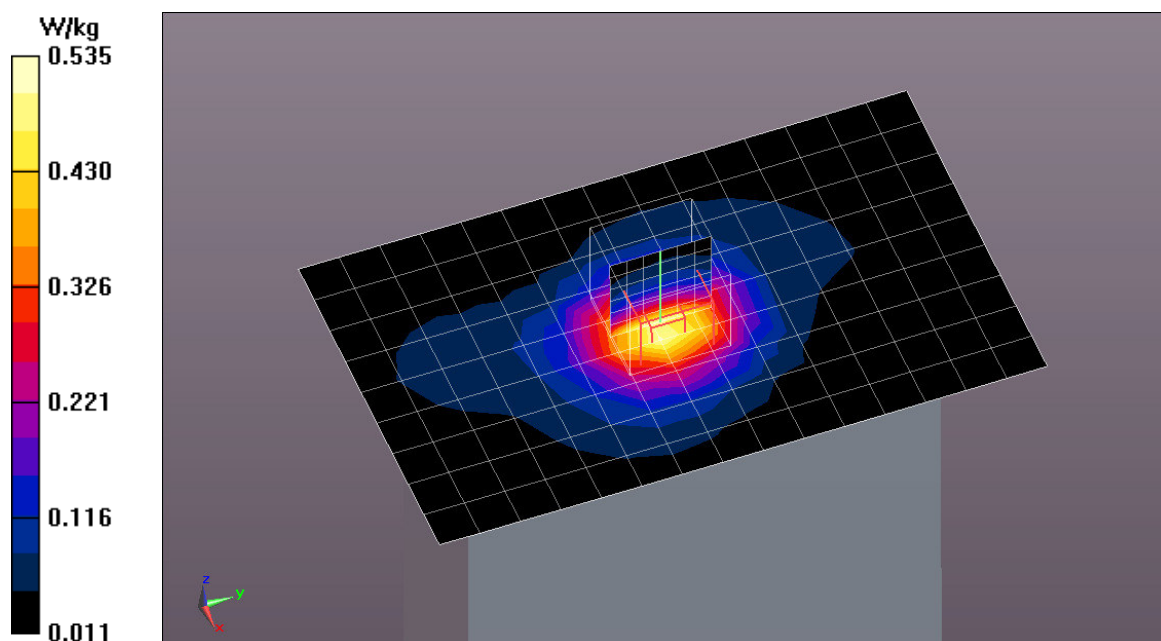
Measurement Standard: DASYS (IEEE/IEC/ANSI C63.19-2007)

DASY5.2 Configuration:

- Probe: EX3DV4 - SN3893; ConvF(8.47, 8.47, 8.47); Calibrated: 2018-09-20;
- Sensor-Surface: 4mm (Mechanical Surface Detection)
- Electronics: DAE3 Sn522; Calibrated: 2018-09-17
- Phantom: Flat Phantom ELI4.0; Type: QDOVA001BB; Serial: SN:1013
- Measurement SW: DASY52, Version 52.8 (6); SEMCAD X Version 14.6.9 (7117)

Configuration/CS20 LTE Disto/Area Scan (10x16x1): Measurement grid: dx=12mm, dy=12mm
Maximum value of SAR (measured) = 0.506 W/kg

Configuration/CS20 LTE Disto/Zoom Scan (7x7x7)/Cube 0: Measurement grid: dx=5mm, dy=5mm, dz=5mm
Reference Value = 18.453 V/m; Power Drift = 0.03 dB
Peak SAR (extrapolated) = 0.785 W/kg
SAR(1 g) = 0.491 W/kg; SAR(10 g) = 0.289 W/kg
Maximum value of SAR (measured) = 0.535 W/kg



Test Laboratory: Eurofins Product Service GmbH

LTE FDD 2_CH 18700_RMC_QPSK_BW20_RB1 Start0_Flat_Front_0mm

DUT: CS20 LTE Disto (US, CA); Type: Field Controller Win EC7 ; Serial: 2475478

Communication System: UID 0 - n/a, LTE FDD 2; Frequency: 1860 MHz;Duty Cycle: 1:1
Medium: Muscle 1900 MHz Medium parameters used (interpolated): $f = 1860$ MHz; $\sigma = 1.503$ S/m; $\epsilon_r = 53.538$; $\rho = 1000$ kg/m³
Phantom section: Flat Section

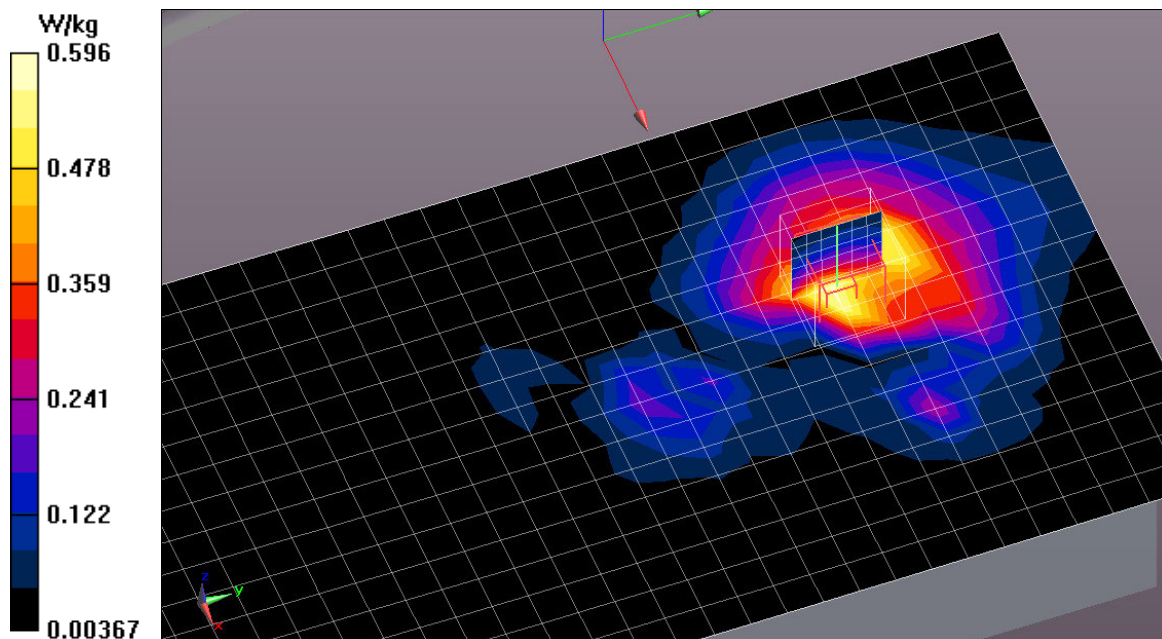
Measurement Standard: DASYS (IEEE/IEC/ANSI C63.19-2007)

DASY5.2 Configuration:

- Probe: EX3DV4 - SN3893; ConvF(8.47, 8.47, 8.47); Calibrated: 2018-09-20;
- Sensor-Surface: 4mm (Mechanical Surface Detection)
- Electronics: DAE3 Sn522; Calibrated: 2018-09-17
- Phantom: Flat Phantom ELI4.0; Type: QDOVA001BB; Serial: SN:1013
- Measurement SW: DASYS2, Version 52.8 (6); SEMCAD X Version 14.6.9 (7117)

Configuration/CS20/Area Scan (17x29x1): Measurement grid: dx=12mm, dy=12mm
Maximum value of SAR (measured) = 0.569 W/kg

Configuration/CS20/Zoom Scan (7x7x7)/Cube 0: Measurement grid: dx=5mm, dy=5mm, dz=5mm
Reference Value = 8.114 V/m; Power Drift = -0.06 dB
Peak SAR (extrapolated) = 0.854 W/kg
SAR(1 g) = 0.546 W/kg; SAR(10 g) = 0.329 W/kg
Maximum value of SAR (measured) = 0.596 W/kg



Test Laboratory: Eurofins Product Service GmbH

GPRS 850_CH 190_GMSK_UL 4x Slot_CS1_Gamma4_Flat_Bottom_0mm

DUT: CS20 LTE Disto (US, CA); Type: Field Controller Win EC7; Serial: 2475478

Communication System: UID 0 - n/a, GPRS 850 4xSlot; Frequency: 836.6 MHz; Duty Cycle: 1:2.18776

Medium: Muscle 900 MHz Medium parameters used (interpolated): $f = 836.6$ MHz; $\sigma = 0.96$ S/m; $\epsilon_r = 53.376$;

$\rho = 1000$ kg/m³

Phantom section: Flat Section

Measurement Standard: DASYS (IEEE/IEC/ANSI C63.19-2007)

DASY5.2 Configuration:

- Probe: EX3DV4 - SN3893; ConvF(10.17, 10.17, 10.17); Calibrated: 2018-09-20;
- Sensor-Surface: 4mm (Mechanical Surface Detection)
- Electronics: DAE3 Sn522; Calibrated: 2018-09-17
- Phantom: Flat Phantom ELI4.0; Type: QDOVA001BB; Serial: SN:1013
- Measurement SW: DASYS2, Version 52.8 (6); SEMCAD X Version 14.6.9 (7117)

Configuration/CS20 LTE Disto/Area Scan (8x13x1): Measurement grid: dx=15mm, dy=15mm

Maximum value of SAR (measured) = 1.23 W/kg

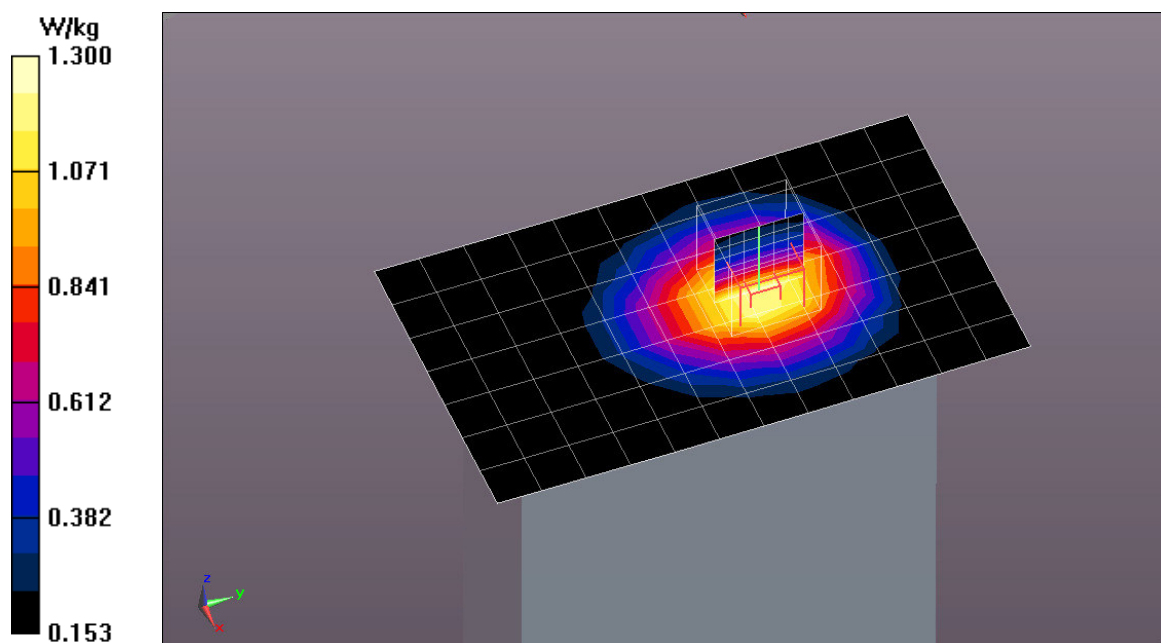
Configuration/CS20 LTE Disto/Zoom Scan (7x7x7)/Cube 0: Measurement grid: dx=5mm, dy=5mm, dz=5mm

Reference Value = 33.735 V/m; Power Drift = -0.12 dB

Peak SAR (extrapolated) = 1.68 W/kg

SAR(1 g) = 1.22 W/kg; SAR(10 g) = 0.860 W/kg

Maximum value of SAR (measured) = 1.30 W/kg



Test Laboratory: Eurofins Product Service GmbH

UMTS FDD V_CH 4175_RMC_12.2kbps_Flat_Bottom_0mm

DUT: CS20 LTE Disto (US, CA); Type: Field Controller Win EC7; Serial: 2475478

Communication System: UID 0 - n/a, UMTS FDD V; Frequency: 835 MHz; Duty Cycle: 1:1
Medium: Muscle 900 MHz Medium parameters used (interpolated): $f = 835$ MHz; $\sigma = 0.958$ S/m; $\epsilon_r = 53.39$; $\rho = 1000$ kg/m³
Phantom section: Flat Section

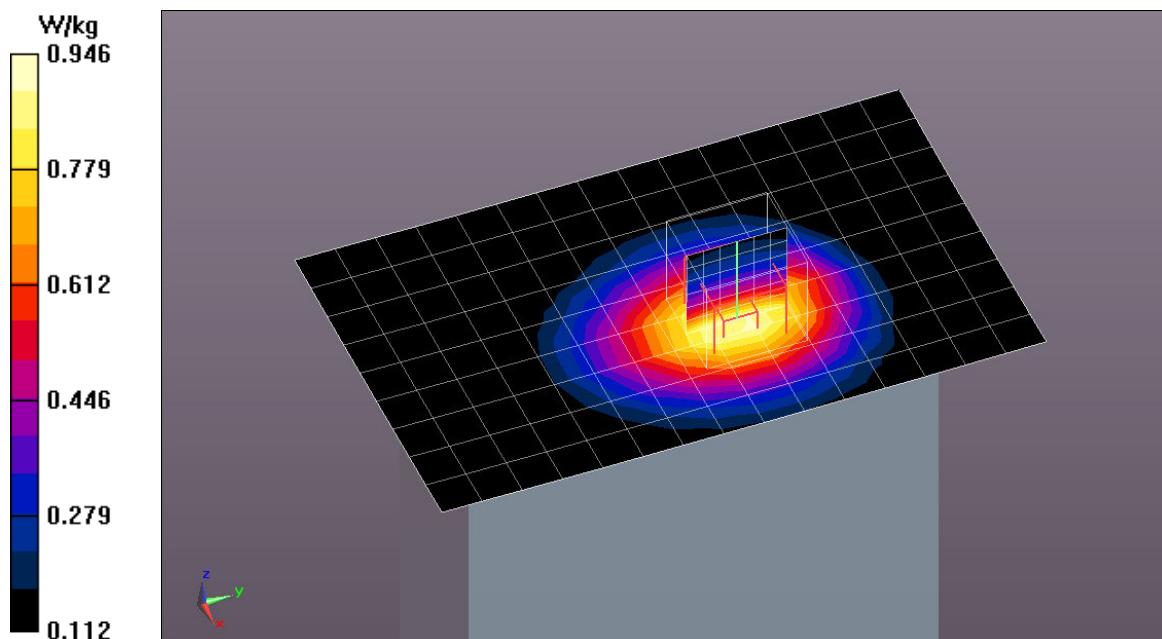
Measurement Standard: DASYS (IEEE/IEC/ANSI C63.19-2007)

DASY5.2 Configuration:

- Probe: EX3DV4 - SN3893; ConvF(10.17, 10.17, 10.17); Calibrated: 2018-09-20;
- Sensor-Surface: 4mm (Mechanical Surface Detection)
- Electronics: DAE3 Sn522; Calibrated: 2018-09-17
- Phantom: Flat Phantom ELI4.0; Type: QDOVA001BB; Serial: SN:1013
- Measurement SW: DASY52, Version 52.8 (6); SEMCAD X Version 14.6.9 (7117)

Configuration/CS20 LTE Disto/Area Scan (10x16x1): Measurement grid: dx=12mm, dy=12mm
Maximum value of SAR (measured) = 0.898 W/kg

Configuration/CS20 LTE Disto/Zoom Scan (7x7x7)/Cube 0: Measurement grid: dx=5mm, dy=5mm, dz=5mm
Reference Value = 26.117 V/m; Power Drift = -0.03 dB
Peak SAR (extrapolated) = 1.22 W/kg
SAR(1 g) = 0.889 W/kg; SAR(10 g) = 0.628 W/kg
Maximum value of SAR (measured) = 0.946 W/kg



Test Laboratory: Eurofins Product Service GmbH

LTE FDD 5_CH 20450_RMC_QPSK_BW10_RB1 Start0_Flat_Bottom_0mm

DUT: CS20 LTE Disto (US, CA); Type: Field Controller Win EC7; Serial: 2475478

Communication System: UID 0 - n/a, LTE FDD 5; Frequency: 829 MHz; Duty Cycle: 1:1
Medium: Muscle 900 MHz Medium parameters used (interpolated): $f = 829$ MHz; $\sigma = 0.952$ S/m; $\epsilon_r = 53.462$; $\rho = 1000$ kg/m³
Phantom section: Flat Section

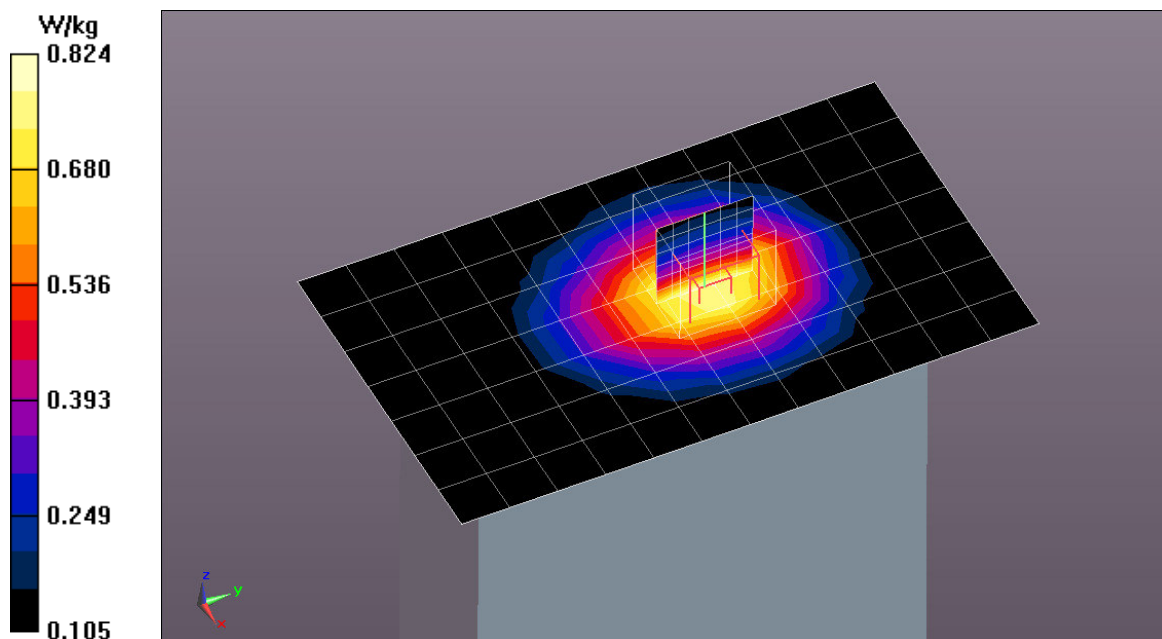
Measurement Standard: DASY5 (IEEE/IEC/ANSI C63.19-2007)

DASY5.2 Configuration:

- Probe: EX3DV4 - SN3893; ConvF(10.17, 10.17, 10.17); Calibrated: 2018-09-20;
- Sensor-Surface: 4mm (Mechanical Surface Detection)
- Electronics: DAE3 Sn522; Calibrated: 2018-09-17
- Phantom: Flat Phantom ELI4.0; Type: QDOVA001BB; Serial: SN:1013
- Measurement SW: DASY52, Version 52.8 (6); SEMCAD X Version 14.6.9 (7117)

Configuration/CS20 LTE Disto/Area Scan (8x13x1): Measurement grid: dx=15mm, dy=15mm
Maximum value of SAR (measured) = 0.799 W/kg

Configuration/CS20 LTE Disto/Zoom Scan (7x7x7)/Cube 0: Measurement grid: dx=5mm, dy=5mm, dz=5mm
Reference Value = 28.204 V/m; Power Drift = -0.03 dB
Peak SAR (extrapolated) = 1.06 W/kg
SAR(1 g) = 0.777 W/kg; SAR(10 g) = 0.553 W/kg
Maximum value of SAR (measured) = 0.824 W/kg



Test Laboratory: Eurofins Product Service GmbH

BT-LR_2.4G_CH 78_DH5_Flat_Top_0mm

DUT: CS20 LTE Disto (US, CA); Type: Field Controller Win EC7; Serial: 2475478

Communication System: UID 0 - n/a, BT 2.4GHz DH5; Frequency: 2480 MHz; Duty Cycle: 1:1.38388
Medium: Muscle 2450 MHz Medium parameters used: $f = 2480$ MHz; $\sigma = 2.024$ S/m; $\epsilon_r = 51.603$; $\rho = 1000$ kg/m³
Phantom section: Flat Section

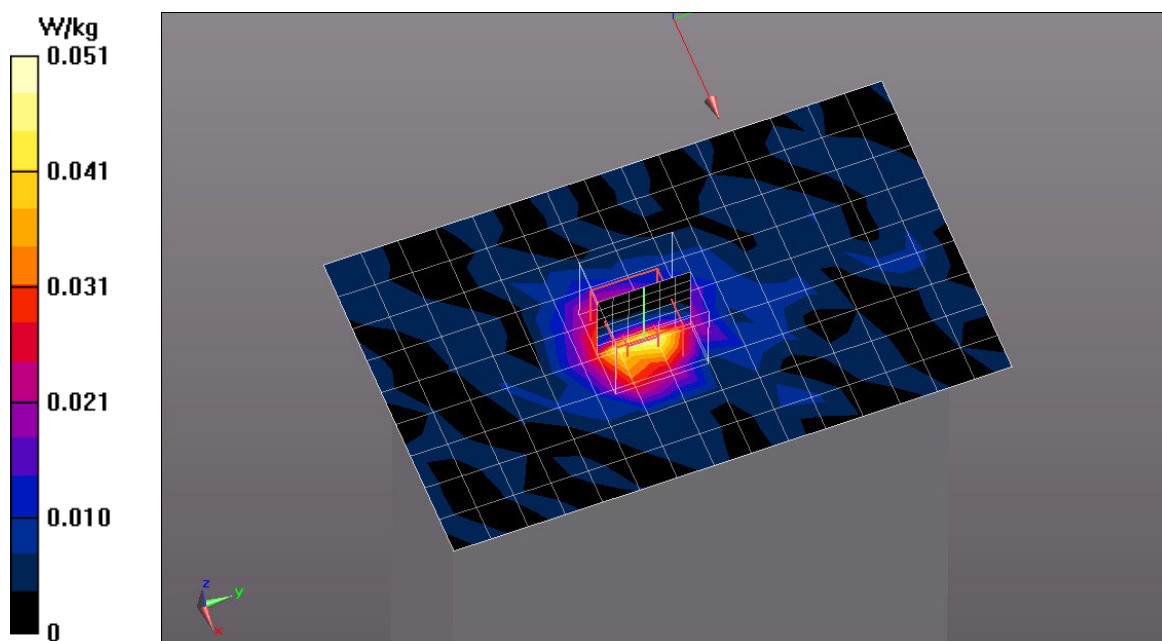
Measurement Standard: DASYS (IEEE/IEC/ANSI C63.19-2007)

DASY5.2 Configuration:

- Probe: EX3DV4 - SN3893; ConvF(7.88, 7.88, 7.88); Calibrated: 2018-09-20;
- Sensor-Surface: 4mm (Mechanical Surface Detection)
- Electronics: DAE3 Sn522; Calibrated: 2018-09-17
- Phantom: Flat Phantom ELI4.0; Type: QDOVA001BB; Serial: SN:1013
- Measurement SW: DASY52, Version 52.8 (6); SEMCAD X Version 14.6.9 (7117)

Configuration/CS20 LTE Disto/Area Scan (10x16x1): Measurement grid: dx=12mm, dy=12mm
Maximum value of SAR (measured) = 0.0487 W/kg

Configuration/CS20 LTE Disto/Zoom Scan (7x7x7)/Cube 0: Measurement grid: dx=5mm, dy=5mm, dz=5mm
Reference Value = 3.907 V/m; Power Drift = -0.06 dB
Peak SAR (extrapolated) = 0.0860 W/kg
SAR(1 g) = 0.045 W/kg; SAR(10 g) = 0.021 W/kg
Maximum value of SAR (measured) = 0.0513 W/kg



Test Laboratory: Eurofins Product Service GmbH

WLAN_2.4G_CH 1_DSSS_1Mbps_Flat_Back_0mm

DUT: CS20 LTE Disto (US, CA); Type: Field Controller Win EC7 ; Serial: 2475478

Communication System: UID 0 - n/a, WLAN 2.4G / 5G FCC; Frequency: 2412 MHz; Duty Cycle: 1:1.53815
Medium: Muscle 2450 MHz Medium parameters used (interpolated): $f = 2412$ MHz; $\sigma = 1.941$ S/m; $\epsilon_r = 51.769$; $\rho = 1000$ kg/m³
Phantom section: Flat Section

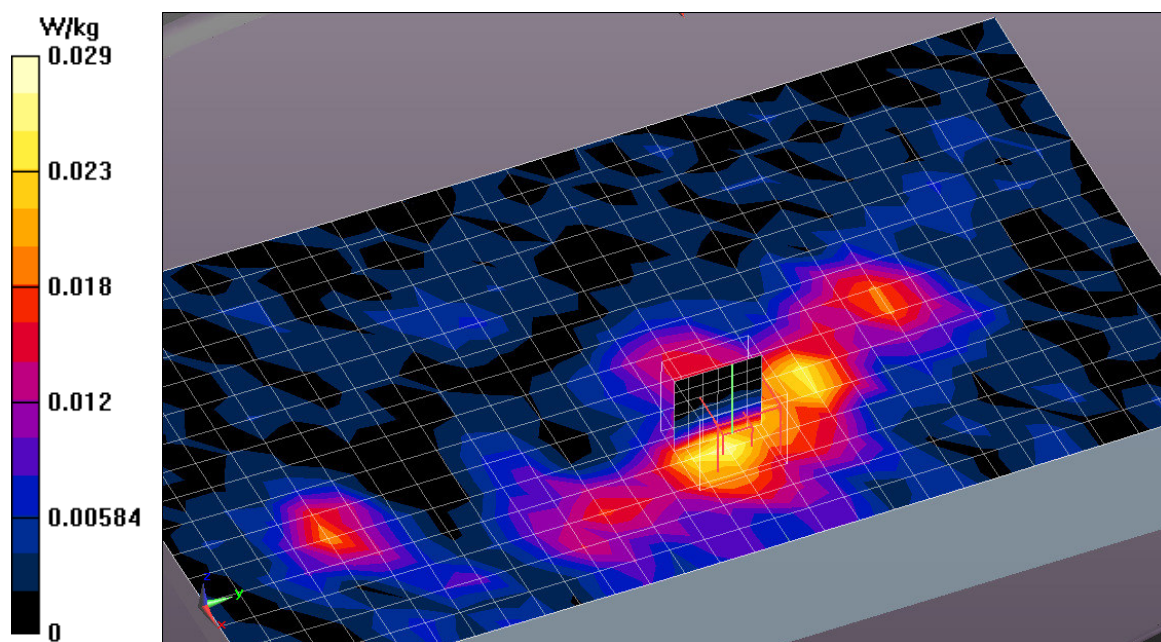
Measurement Standard: DASYS (IEEE/IEC/ANSI C63.19-2007)

DASY5.2 Configuration:

- Probe: EX3DV4 - SN3893; ConvF(7.88, 7.88, 7.88); Calibrated: 2018-09-20;
- Sensor-Surface: 2mm (Mechanical Surface Detection)
- Electronics: DAE3 Sn522; Calibrated: 2018-09-17
- Phantom: Flat Phantom ELI4.0; Type: QDOVA001BB; Serial: SN:1013
- Measurement SW: DASY52, Version 52.8 (6); SEMCAD X Version 14.6.9 (7117)

Configuration/CS20/Area Scan (17x29x1): Measurement grid: dx=12mm, dy=12mm
Maximum value of SAR (measured) = 0.0274 W/kg

Configuration/CS20/Zoom Scan (7x7x7)/Cube 0: Measurement grid: dx=5mm, dy=5mm, dz=5mm
Reference Value = 2.168 V/m; Power Drift = -0.17 dB
Peak SAR (extrapolated) = 0.0330 W/kg
SAR(1 g) = 0.017 W/kg; SAR(10 g) = 0.00866 W/kg
Maximum value of SAR (measured) = 0.0252 W/kg



Test Laboratory: Eurofins Product Service GmbH

GPRS 850_CH 190_GMSK_UL 4x Slot_CS1_Gamma4_Flat_Bottom_0mm

DUT: CS20 LTE Disto (US, CA); Type: Field Controller Win EC7; Serial: 2475478

Communication System: UID 0 - n/a, GPRS 850 4xSlot; Frequency: 836.6 MHz;Duty Cycle: 1:2.18776
Medium: Muscle 900 MHz Medium parameters used (interpolated): $f = 836.6$ MHz; $\sigma = 0.96$ S/m; $\epsilon_r = 53.376$;
 $\rho = 1000$ kg/m³
Phantom section: Flat Section

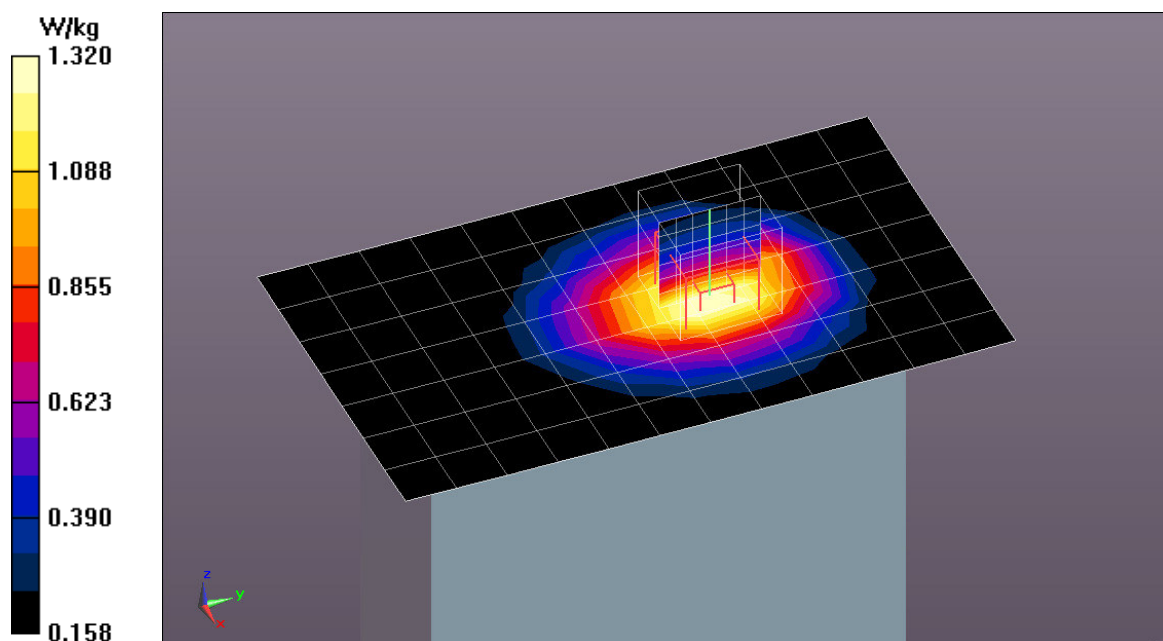
Measurement Standard: DASYS (IEEE/IEC/ANSI C63.19-2007)

DASY5.2 Configuration:

- Probe: EX3DV4 - SN3893; ConvF(10.17, 10.17, 10.17); Calibrated: 2018-09-20;
- Sensor-Surface: 4mm (Mechanical Surface Detection)
- Electronics: DAE3 Sn522; Calibrated: 2018-09-17
- Phantom: Flat Phantom ELI4.0; Type: QDOVA001BB; Serial: SN:1013
- Measurement SW: DASY52, Version 52.8 (6); SEMCAD X Version 14.6.9 (7117)

Configuration/CS20 LTE Disto/Area Scan (8x13x1): Measurement grid: dx=15mm, dy=15mm
Maximum value of SAR (measured) = 1.30 W/kg

Configuration/CS20 LTE Disto/Zoom Scan (7x7x7)/Cube 0: Measurement grid: dx=5mm, dy=5mm, dz=5mm
Reference Value = 33.080 V/m; Power Drift = 0.04 dB
Peak SAR (extrapolated) = 1.73 W/kg
SAR(1 g) = 1.24 W/kg; SAR(10 g) = 0.881 W/kg
Maximum value of SAR (measured) = 1.32 W/kg



Test Laboratory: Eurofins Product Service GmbH

UMTS FDD V_CH 4175_RMC_12.2kbps_Flat_Bottom_0mm

DUT: CS20 LTE Disto (US, CA); Type: Field Controller Win EC7; Serial: 2475478

Communication System: UID 0 - n/a, UMTS FDD V; Frequency: 835 MHz; Duty Cycle: 1:1
Medium: Muscle 900 MHz Medium parameters used (interpolated): $f = 835$ MHz; $\sigma = 0.958$ S/m; $\epsilon_r = 53.39$; $\rho = 1000$ kg/m³
Phantom section: Flat Section

Measurement Standard: DASYS (IEEE/IEC/ANSI C63.19-2007)

DASY5.2 Configuration:

- Probe: EX3DV4 - SN3893; ConvF(10.17, 10.17, 10.17); Calibrated: 2018-09-20;
- Sensor-Surface: 4mm (Mechanical Surface Detection)
- Electronics: DAE3 Sn522; Calibrated: 2018-09-17
- Phantom: Flat Phantom ELI4.0; Type: QDOVA001BB; Serial: SN:1013
- Measurement SW: DASY52, Version 52.8 (6); SEMCAD X Version 14.6.9 (7117)

Configuration/CS20 LTE Disto/Area Scan (10x16x1): Measurement grid: dx=12mm, dy=12mm
Maximum value of SAR (measured) = 0.934 W/kg

Configuration/CS20 LTE Disto/Zoom Scan (7x7x7)/Cube 0: Measurement grid: dx=5mm, dy=5mm, dz=5mm
Reference Value = 27.424 V/m; Power Drift = -0.01 dB
Peak SAR (extrapolated) = 1.23 W/kg
SAR(1 g) = 0.896 W/kg; SAR(10 g) = 0.633 W/kg
Maximum value of SAR (measured) = 0.955 W/kg

