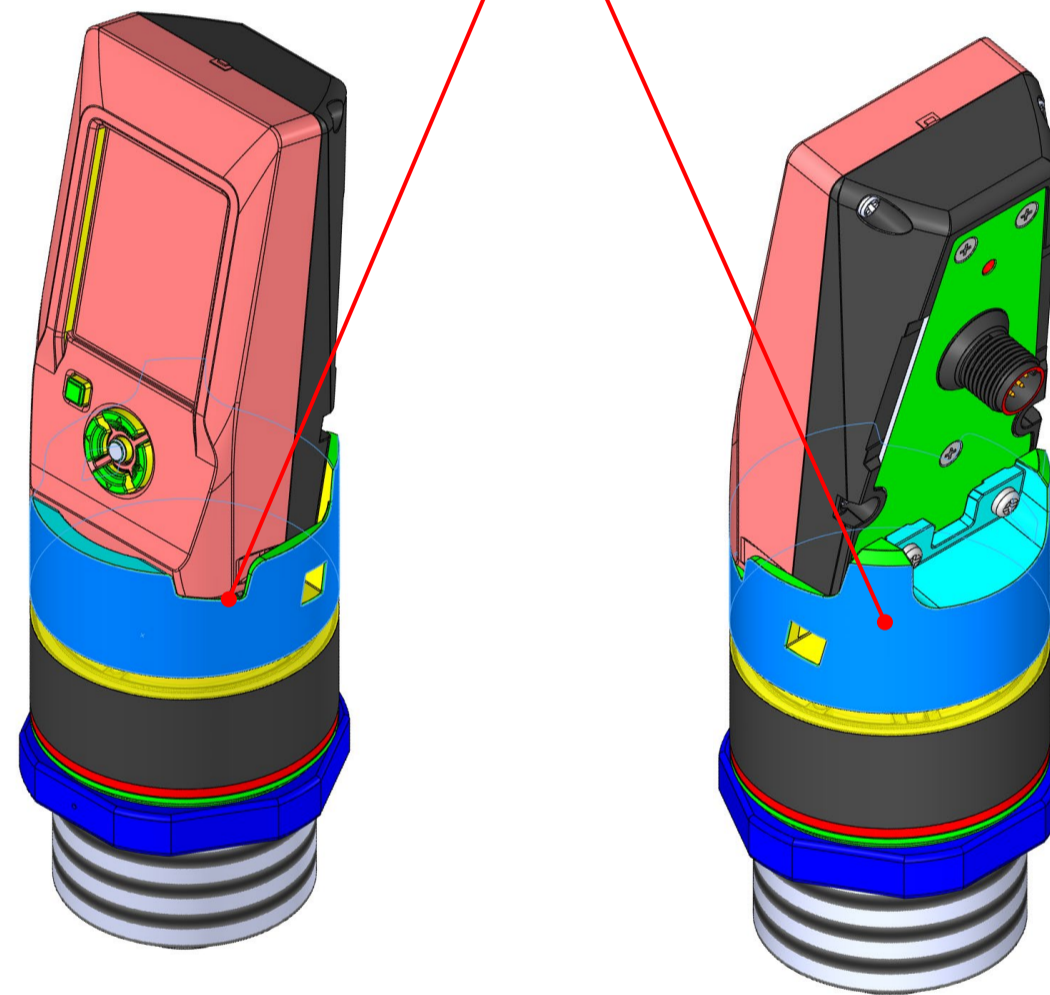
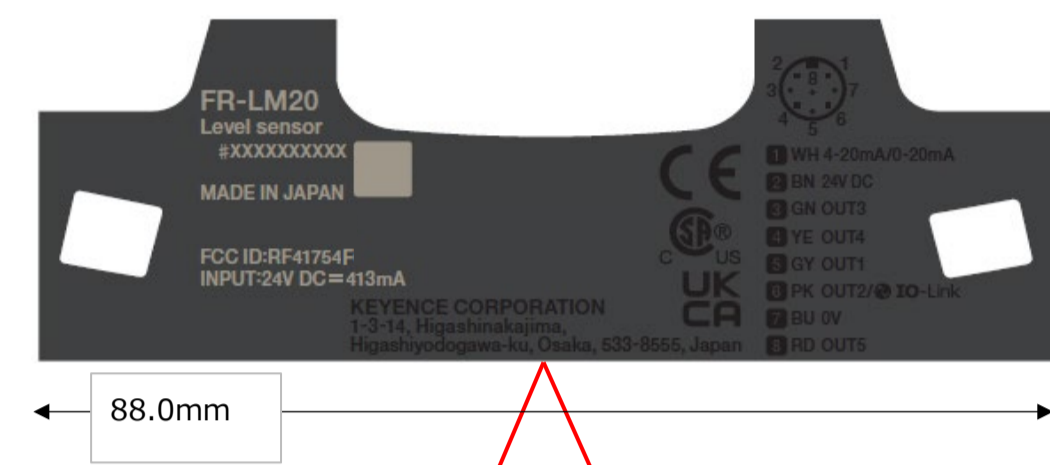


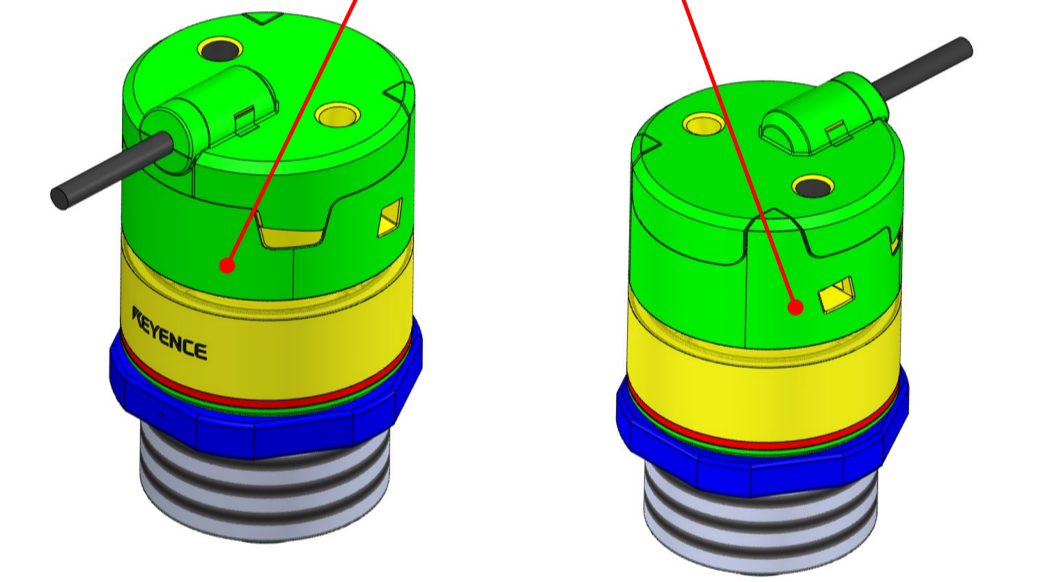
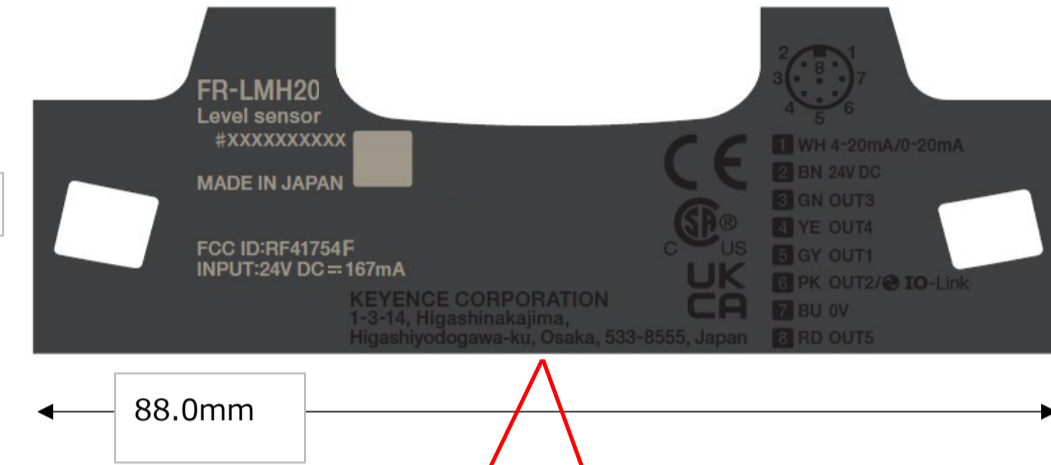
FR-LM20

Height of ID letters are over 1.4mm.  
 Black letters are mold on plastic case of the product.  
 Beige letters are laser marking on plastic case of the product.  
 These letters are tested by 30s etanol wiping teste. (IEC61010-1)



FR-LMH20

Height of ID letters are over 1.4mm.  
 Black letters are mold on plastic case of the product.  
 Beige letters are laser marking on plastic case of the product.  
 These letters are tested by 30s etanol wiping teste. (IEC61010-1)



The required comment needs large space to this product.

※The comment :  
 "This device complies with part 15 of the FCC Rules. Operation is subject to the following two conditions:  
 (1) This device may not cause harmful interference, and  
 (2) this device must accept any interference received, including interference that may cause undesired operation."

There are small spaces around beige letters. (below 200mm²)  
 The beige area is only space for the comment because other space are Food contact area cannot be marking.  
 So, we marked the comment on instruction manual.