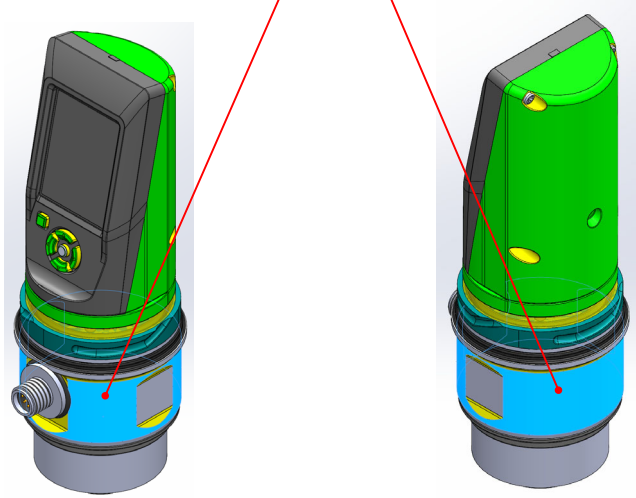
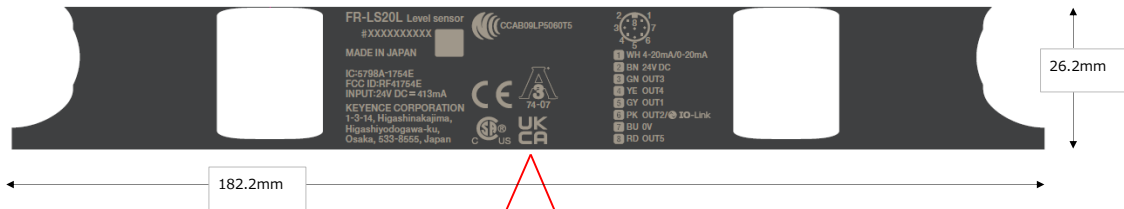


FR-LS20L

Height of ID letters are over 1.4mm.
Beige letters are laser marking on plastic case of the product.
These letters are tested by 30s etanol wiping teste. (IEC61010-1)



The required comment needs large space to this product.

※The comment :

"This device complies with part 15 of the FCC Rules. Operation is subject to the following two conditions:

- (1) This device may not cause harmful interference, and
- (2) this device must accept any interference received, including interference that may cause undesired operation."

There are small spaces around beige letters. (below 200mm²)

The beige area is only space for the comment because other space are Food contact area cannot be marking.

So, we marked the comment on instruction manual.