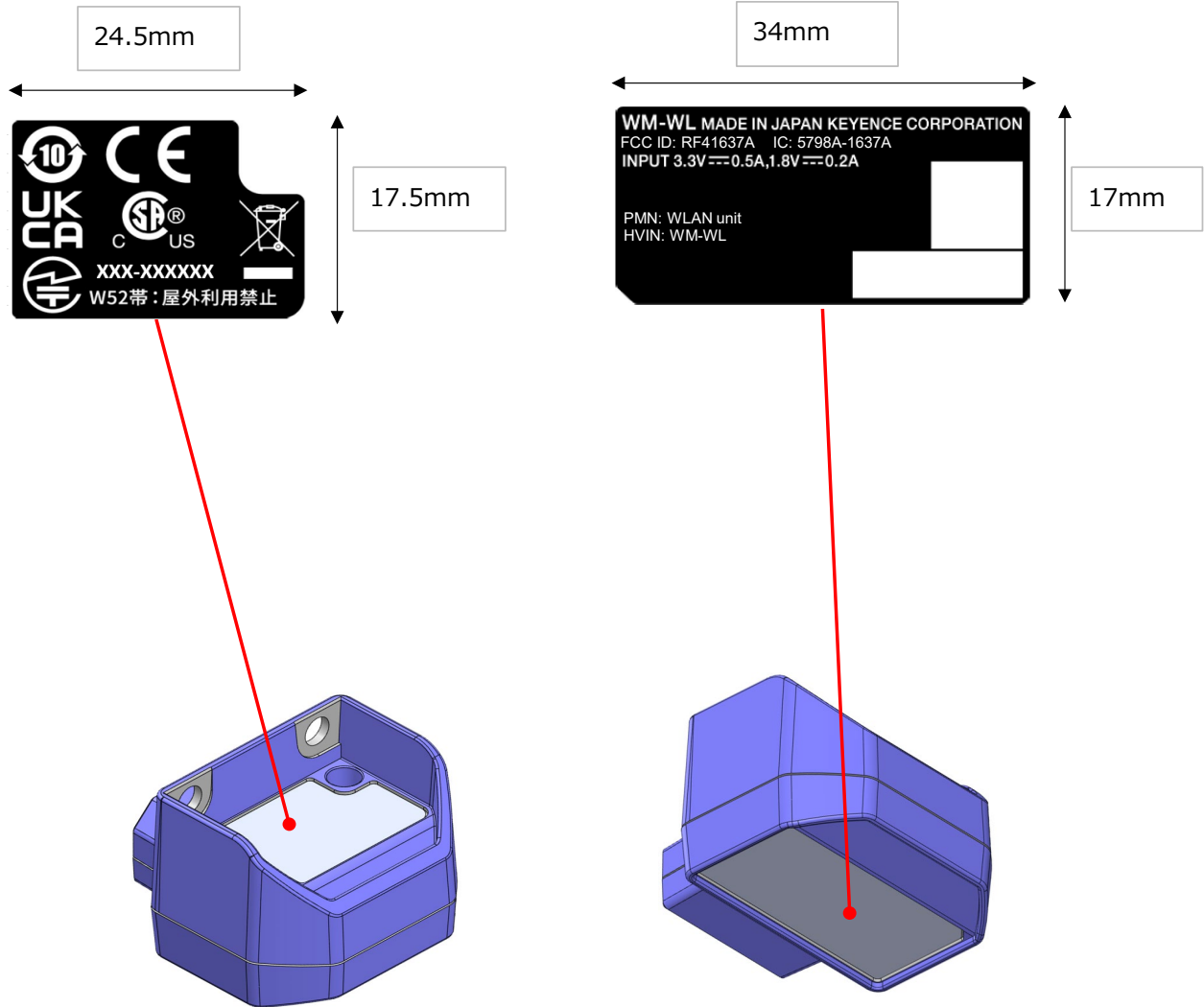


Height of ID letters are over 1.4mm.
These letters are provided by adhesive label.
Labels are tested by 30s ethanol wiping test. (IEC61010-1)



The "required comment" needs large space to this product.

※The "required comment" :

"This device complies with part 15 of the FCC Rules. Operation is subject to the following two conditions:

- (1) This device may not cause harmful interference, and
- (2) this device must accept any interference received, including interference that may cause undesired operation."

There are small spaces on labels. So, we marked the comment on instruction manual.