



# SAR TEST REPORT

**Test Report No. : 11201776H-E-R1**

**Applicant : KEYENCE CORPORATION**

**Type of Equipment : Handheld Mobile Computer**

**Model No. : BT-W70GA / BT-W75GA**

**FCC ID : RF41395A**

**Test regulation : FCC47CFR 2.1093**

**Test Result : Complied**

**Reported SAR(1g) Value : The highest reported SAR(1g)  
Body: 0.24 W/kg**

1. This test report shall not be reproduced in full or partial, without the written approval of UL Japan, Inc.
2. The results in this report apply only to the sample tested.
3. This sample tested is in compliance with the limits of the above regulation.
4. The test results in this report are traceable to the national or international standards.
5. This test report must not be used by the customer to claim product certification, approval, or endorsement by NVLAP, NIST, or any agency of the Federal Government.
6. This test report covers SAR technical requirements. It does not cover administrative issues such as Manual or non-SAR test related Requirements. (if applicable)
7. This report is a revised version of 11201776H-E. 11201776H-E is replaced with this report.

**Date of test:** April 20 to May 19, 2016

**Representative test engineer:** T. Nakagawa  
Tomohisa Nakagawa

Engineer

Consumer Technology Division

**Approved by :** Takayuki Shimada  
Takayuki Shimada

Engineer

Consumer Technology Division



NVLAP LAB CODE: 200572-0

This laboratory is accredited by the NVLAP LAB CODE 200572-0, U.S.A. The tests reported herein have been performed in accordance with its terms of accreditation. \*As for the range of Accreditation in NVLAP, you may refer to the WEB address, [http://japan.ul.com/resources/emc\\_accredited/](http://japan.ul.com/resources/emc_accredited/)

# REVISION HISTORY

**Original Test Report No.: 11201776H-E**

Revision	Test report No.	Date	Page revised	Contents
- (Original)	11201776H-E	June 17, 2016	-	-
1	11201776H-E-R1	June 29, 2016	P.1	Correction of notation "Reported SAR(1g) Value"
1	11201776H-E-R1	June 29, 2016	P.8	Correction of "Maximum tune-up tolerance limit [mW]"
1	11201776H-E-R1	June 29, 2016	P.15	Correction of Frequency Band

<b>CONTENTS</b>	<b>PAGE</b>
<b>SECTION1: Customer information</b> .....	<b>4</b>
<b>SECTION2: Equipment under test (E.U.T.)</b> .....	<b>4</b>
2.1 Identification of E.U.T. ....	4
2.2 Product description ....	4
2.3 General Specification.....	4
2.4 Radio Specification.....	5
<b>SECTION3: Test standard information</b> .....	<b>6</b>
3.1 Test Specification ....	6
3.2 Procedure ....	6
3.3 Exposure limit.....	7
3.4 Test Location.....	7
<b>SECTION4: Test result</b> .....	<b>8</b>
4.1 Stand-alone SAR result.....	8
<b>SECTION5: RF Exposure Conditions (Test Configurations)</b> .....	<b>9</b>
5.1 SAR test exclusion considerations according to KDB447498 D01.....	9
<b>Description of the operating mode</b> .....	<b>11</b>
5.2 Output power operating modes.....	11
5.3 Output Power and SAR test required.....	12
5.4 SAR testing operating modes.....	15
<b>SECTION6: Description of the Body setup</b> .....	<b>16</b>
6.1 Procedure for SAR testing.....	16
6.2 Test position for Body setup.....	16
<b>SECTION7: Test surrounding</b> .....	<b>17</b>
7.1 Measurement uncertainty.....	17
<b>SECTION8: Parameter Check</b> .....	<b>19</b>
<b>SECTION9: System Check confirmation</b> .....	<b>21</b>
<b>SECTION10: SAR Test data for WLAN 2.4GHz</b> .....	<b>23</b>
10.1 Method of measurement.....	23
10.2 Result of Body SAR.....	24
<b>SECTION11: SAR Test data for WLAN 5.3GHz</b> .....	<b>25</b>
11.1 Method of measurement.....	25
11.2 Result of Body SAR.....	25
<b>SECTION12: SAR Test data for WLAN 5.6GHz</b> .....	<b>26</b>
12.1 Method of measurement.....	26
12.2 Result of Body SAR.....	26
<b>SECTION13: SAR Test data for WLAN 5.8GHz</b> .....	<b>27</b>
13.1 Method of measurement.....	27
13.2 Result of Body SAR.....	27
<b>SECTION14: Test instruments</b> .....	<b>28</b>
<b>APPENDIX 1 : SAR Measurement data</b> .....	<b>30</b>
Evaluation procedure.....	30
Measurement data 2.4GHz.....	32
Measurement data 5.3GHz.....	39
Measurement data 5.6GHz.....	46
Measurement data 5.8GHz.....	53
<b>APPENDIX2 : System Check</b> .....	<b>60</b>
System check result Body 2450MHz.....	60
System check result Body 5250MHz.....	62
System check result Body 5600MHz.....	64
System check result Body 5750MHz.....	66
<b>APPENDIX 3 : System specifications</b> .....	<b>68</b>
Configuration and peripherals.....	68
Specifications.....	69
System Check Dipole SAR Calibration Certificate -Dipole 2450MHz(D2450V2,S/N:713).....	73
System Check Dipole SAR Calibration Certificate -Dipole 5GHz(D5GHzV2,S/N:1020).....	81
Dosimetric E-Field Probe Calibration Certificate (EX3DV4, S/N: 3825).....	98
Dosimetric E-Field Probe Calibration Certificate (EX3DV4, S/N: 3922).....	109
System check uncertainty.....	120
<b>APPENDIX 4: Photographs of test setup</b> .....	<b>122</b>
Photographs of EUT BT-W70GA.....	122
Photographs of EUT BT-W75GA.....	123
Antenna position.....	124
Photographs of setup.....	126

**SECTION1: Customer information**

Company Name : KEYENCE CORPORATION  
Address : 1-3-14, Higashinakajima Higashiyodogwa-ku Osaka 533-8555 Japan  
Telephone Number : +81-6-6379-1111  
Facsimile Number : +81-6-6325-6818  
Contact Person : Tsuyoshi Aoyama

**SECTION2: Equipment under test (E.U.T.)****2.1 Identification of E.U.T.****<Information of the EUT>**

Type of Equipment : Handheld Mobile Computer  
Model No. : BT-W70GA, BT-W75GA  
Serial No. : #2A610013, #2A610013  
Rating : DC 2.8 V – 4.2 V (Battery)  
DC 5.3 V (Cradle)  
Receipt Date of Sample : April 11, 2016  
Country of Mass-production : Japan  
Condition of EUT : Engineering prototype  
(Not for Sale: This sample is equivalent to mass-produced items.)  
Modification of EUT : No Modification by the test lab

**2.2 Product description**

Model: BT-W70GA, BT-W75GA (referred to as the EUT in this report) is a Handheld Mobile Computer.

**2.3 General Specification**

Clock frequency(ies) in the system : 38.4 MHz (X'tal)  
Operating Temperature : -20 deg. C - +50 deg. C

## 2.4 Radio Specification

Radio Type : Transceiver  
 Power Supply (inner) : DC 1.8 V / DC 3.3 V

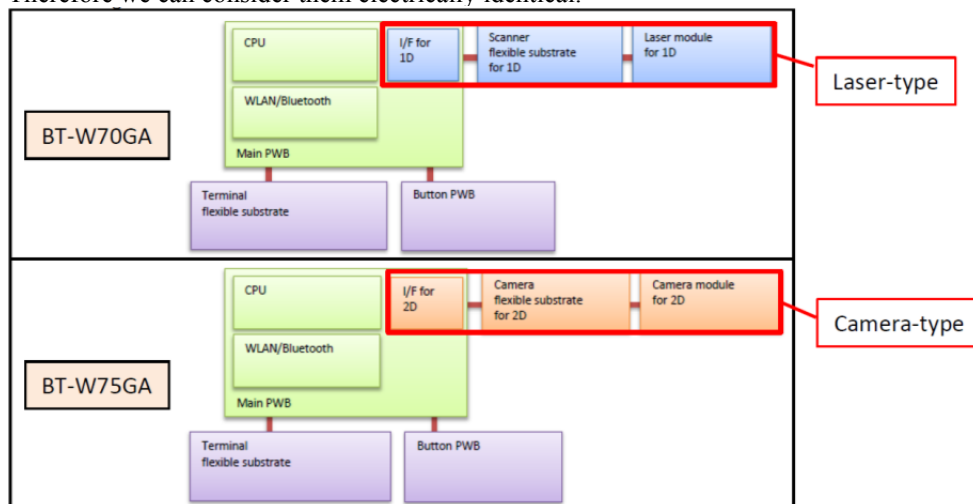
	IEEE802.11b *1)	IEEE802.11g/n (20 M band) *1)	IEEE802.11a/n (20 M band)	IEEE802.11n (40 M band)
Frequency of operation	2412 MHz - 2462 MHz	2412 MHz - 2462 MHz	5180 MHz - 5240 MHz 5280 MHz - 5320 MHz 5500 MHz - 5580 MHz 5660 MHz - 5700 MHz 5745 MHz - 5825 MHz	5190 MHz - 5230 MHz 5310 MHz 5510 MHz - 5550 MHz 5670 MHz 5755 MHz - 5795 MHz
Type of modulation	DSSS (CCK, DQPSK, DBPSK)	OFDM-CCK (64QAM, 16QAM, QPSK, BPSK)	OFDM (64QAM, 16QAM, QPSK, BPSK)	
Channel spacing	5MHz		20MHz	40MHz
Antenna type	Multilayer Monopole Antenna			
Antenna Connector type	Soldering			
Antenna Gain	2.1 dBi (2.4 GHz)		2.4 dBi (5 GHz)	

	Bluetooth Ver.2.1 with EDR function
Frequency of operation	2402 MHz - 2480 MHz
Type of modulation	FHSS (GFSK, $\pi/4$ -DQPSK, 8-DPSK)
Channel spacing	1 MHz
Antenna type	Multilayer Monopole Antenna
Antenna Connector type	Soldering
Antenna Gain	2.1 dBi

\*Wireless LAN and Bluetooth do not transmit simultaneously.

### Variant model

BT-W70GA is a Laser-type handy scanner. BT-W75GA is a Camera-type handy scanner. The schematic differences between BT-W70GA and BT-W75GA are the following diagrams. Circuit design related with WLAN/Bluetooth is same between 2 models. These difference cause no influence to radio specification. There was no degradation of EMC characteristic. Therefore we can consider them electrically identical.



## **SECTION3: Test standard information**

### **3.1 Test Specification**

- Title : **RSS-102 Issue 5: March 2015:**  
Radio Frequency (RF) Exposure Compliance of Radiocommunication Apparatus (All Frequency Bands)
- : **IEEE Std 1528-2013:**  
IEEE Recommended Practice for Determining the Peak Spatial-Average Specific Absorption Rate (SAR) in the Human Head from Wireless Communications Devices: Measurement Techniques.
- : **Published RF exposure KDB procedures**
- KDB447498D01(v06)** Mobile and Portable Device RF Exposure Procedures and Equipment Authorization Policies
  - KDB447498D02(v02r01)** SAR Measurement Procedures for USB Dongle Transmitters
  - KDB648474D04(v01r03)** SAR Evaluation Considerations for Wireless Handsets
  - KDB941225D01(v03r01)** 3G SAR MEASUREMENT PROCEDURES
  - KDB941225D05(v02r05)** SAR for LTE Devices
  - KDB941225D06(v02r01)** SAR test procedures for devices incorporating SAR Evaluation Procedures for Portable Devices with Wireless Router Capabilities (Hot Spot SAR)
  - KDB941225D07(v01r02)** SAR Evaluation Procedures for UMPC Mini-Tablet Devices
  - KDB616217D04(v01r02)** SAR Evaluation Considerations for Laptop, Notebook, Netbook and Tablet Computers
  - KDB865664D01(v01r04)** SAR Measurement Requirements for 100MHz to 6 GHz
  - KDB248227D01(v02r02)** SAR Measurement Procedures for 802.11(Wi-Fi) Transmitters

#### **Reference**

[1]SPEAG uncertainty document (AN 15-7/AN19-17) for DASY 5 System from SPEAG (Schmid & Partner Engineering AG).

### **3.2 Procedure**

<b>Transmitter</b>	<b>WLAN and Bluetooth</b>
<b>Test Procedure</b>	Published RF exposure KDB procedures
<b>Category</b>	FCC47CFR 2.1093
Note: UL Japan, Inc. 's SAR Work Procedures 13-EM-W0429 and 13-EM-W0430	

### 3.3 Exposure limit

(A) Limits for Occupational/Controlled Exposure (W/kg)

Spatial Average (averaged over the whole body)	Spatial Peak (averaged over any 1g of tissue)	Spatial Peak (hands/wrists/feet/ankles averaged over 10g)
0.4	8.0	20.0

(B) Limits for General population/Uncontrolled Exposure (W/kg)

Spatial Average (averaged over the whole body)	Spatial Peak (averaged over any 1g of tissue)	Spatial Peak (hands/wrists/feet/ankles averaged over 10g)
0.08	1.6	4.0

**Occupational/Controlled Environments:** are defined as locations where there is exposure that may be incurred by people who are aware of the potential for exposure, (i.e. as a result of employment or occupation).

**General Population/Uncontrolled Environments:** are defined as locations where there is the exposure of individuals who have no knowledge or control of their exposure.

**NOTE:GENERAL POPULATION/UNCONTROLLED EXPOSURE  
SPATIAL PEAK(averaged over any 1g of tissue) LIMIT  
1.6 W/kg**

### 3.4 Test Location

\*Shielded room for SAR testings

UL Japan, Inc. Ise EMC Lab. \*NVLAP Lab. code: 200572-0

4383-326 Asama-cho, Ise-shi, Mie-ken 516-0021 JAPAN

Telephone : +81 596 24 8999

Facsimile : +81 596 24 8124

**SECTION4: Test result****4.1 Stand-alone SAR result****Reported SAR**

Measured SAR is scaled to the maximum tune-up tolerance limit by the following formulas.

Reported SAR= Measured SAR [W/kg] · Scaled factor \*1

Maximum tune-up tolerance limit is by the specification from a customer.

**Body SAR**

Mode	Frequency	Measured power (Burst power) [dBm]*2	Measured power (Burst power) [mW]	Maximum tune-up tolerance limit [dBm]*3	Maximum tune-up tolerance limit [mW]*3	Measured SAR [W/kg]	Scaled factor	Reported SAR [W/kg]
WLAN11b	2412MHz	10.33	10.79	12.00	15.85	0.075	1.469	<b>0.110</b>
WLAN11n40	5310MHz	12.17	16.48	13.00	19.95	0.196	1.211	<b>0.237</b>
WLAN11n40	5670MHz	13.04	20.14	13.50	22.39	0.211	1.112	<b>0.235</b>
WLAN11n40	5775MHz	10.76	11.91	12.00	15.85	0.138	1.330	<b>0.184</b>

**Note**

\*1 Scaled factor = Maximum tune-up tolerance limit [mW] / Measured power [mW]

\*2 The sample used by the SAR test is not more than 2 dB lower than the maximum tune-up tolerance limit. That is, measured power is included the tune-up tolerance range.

\*3 Maximum tune-up tolerance limit is defined as maximum timed-average value.

WLAN/BT Maximum tune-up tolerance limit

Mode	Maximum tune-up tolerance limit [dBm]	Maximum tune-up tolerance limit [mW]
BT DH5	7.0	5.01
BT 2DH5	4.0	2.51
BT 3DH5	4.0	2.51
WLAN 2.4GHz	12.0	15.85
WLAN 5GHz (W52)	13.0	19.95
WLAN 5GHz (W53)	13.0	19.95
WLAN 5GHz (W56)	13.5	22.39
WLAN 5GHz (W58)	12.0	15.85



## SECTION5: RF Exposure Conditions (Test Configurations)

### 5.1 SAR test exclusion considerations according to KDB447498 D01

The following is based on KDB447498D01.

1) At 100 MHz to 6 GHz and for test separation distances < 50 mm, the SAR test exclusion threshold is determined according to the following.

Model:BT-W70GA

SAR exclusion calculations for antenna <50mm from the user

Antenna	Tx Interface	Frequency (MHz)	Output Power		Separation Distances (mm)						Calculated Threshold Value							
			dBm	mW	Top	Top tilt	Bottom	Right	Left	Front	Rear	Top	Top tilt	Bottom	Right	Left	Front	Rear
Main	BDR	2480	7.00	5	5.50	5.00	145.90	13.90	26.20	12.10	19.70	1.6	1.6	> 50 mm	1.6	1.6	1.6	1.6
												-EXEMPT-	-EXEMPT-		-EXEMPT-	-EXEMPT-	-EXEMPT-	-EXEMPT-
Main	EDR	2480	4.00	3	5.50	5.00	145.90	13.90	26.20	12.10	19.70	0.9	0.9	> 50 mm	0.9	0.9	0.9	0.9
												-EXEMPT-	-EXEMPT-		-EXEMPT-	-EXEMPT-	-EXEMPT-	-EXEMPT-
Main	WLAN 2.4G	2462	13.50	22	5.50	5.00	145.90	13.90	26.20	12.10	19.70	6.9	6.9	> 50 mm	6.9	6.9	6.9	6.9
												-MEASURE-	-MEASURE-		-MEASURE-	-MEASURE-	-MEASURE-	-MEASURE-
Main	WLAN 5.3G	5320	14.00	25	5.50	5.00	145.90	13.90	26.20	12.10	19.70	11.5	11.5	> 50 mm	11.5	11.5	11.5	11.5
												-MEASURE-	-MEASURE-		-MEASURE-	-MEASURE-	-MEASURE-	-MEASURE-
Main	WLAN 5.8G	5700	14.50	28	5.50	5.00	145.90	13.90	26.20	12.10	19.70	13.4	13.4	> 50 mm	13.4	13.4	13.4	13.4
												-MEASURE-	-MEASURE-		-MEASURE-	-MEASURE-	-MEASURE-	-MEASURE-
Main	WLAN 5.8G	5825	13.00	20	5.50	5.00	145.90	13.90	26.20	12.10	19.70	9.7	9.7	> 50 mm	9.7	9.7	9.7	9.7
												-MEASURE-	-MEASURE-		-MEASURE-	-MEASURE-	-MEASURE-	-MEASURE-

Model:BT-W75GA

SAR exclusion calculations for antenna <50mm from the user

Antenna	Tx Interface	Frequency (MHz)	Output Power		Separation Distances (mm)						Calculated Threshold Value							
			dBm	mW	Top	Top tilt	Bottom	Right	Left	Front	Rear	Top	Top tilt	Bottom	Right	Left	Front	Rear
Main	BDR	2480	7.00	5	5.50	5.00	145.90	13.90	26.20	12.10	21.70	1.6	1.6	> 50 mm	1.6	1.6	1.6	1.6
												-EXEMPT-	-EXEMPT-		-EXEMPT-	-EXEMPT-	-EXEMPT-	-EXEMPT-
Main	EDR	2480	4.00	3	5.50	5.00	145.90	13.90	26.20	12.10	21.70	0.9	0.9	> 50 mm	0.9	0.9	0.9	0.9
												-EXEMPT-	-EXEMPT-		-EXEMPT-	-EXEMPT-	-EXEMPT-	-EXEMPT-
Main	WLAN 2.4G	2462	13.50	22	5.50	5.00	145.90	13.90	26.20	12.10	21.70	6.9	6.9	> 50 mm	6.9	6.9	6.9	6.9
												-MEASURE-	-MEASURE-		-MEASURE-	-MEASURE-	-MEASURE-	-MEASURE-
Main	WLAN 5.3G	5320	14.00	25	5.50	5.00	145.90	13.90	26.20	12.10	21.70	11.5	11.5	> 50 mm	11.5	11.5	11.5	11.5
												-MEASURE-	-MEASURE-		-MEASURE-	-MEASURE-	-MEASURE-	-MEASURE-
Main	WLAN 5.6G	5700	14.50	28	5.50	5.00	145.90	13.90	26.20	12.10	21.70	13.4	13.4	> 50 mm	13.4	13.4	13.4	13.4
												-MEASURE-	-MEASURE-		-MEASURE-	-MEASURE-	-MEASURE-	-MEASURE-
Main	WLAN 5.8G	5825	13.00	20	5.50	5.00	145.90	13.90	26.20	12.10	21.70	9.7	9.7	> 50 mm	9.7	9.7	9.7	9.7
												-MEASURE-	-MEASURE-		-MEASURE-	-MEASURE-	-MEASURE-	-MEASURE-

#### Notes:

- The 1-g and 10-g SAR test exclusion thresholds for 100 MHz to 6 GHz at test separation distances ≤ 50 mm are determined by:  

$$[(\text{max. power of channel, including tune-up tolerance, mW}) / (\text{min. test separation distance, mm})] \cdot [\sqrt{f(\text{GHz})}] \leq 3.0$$
for 1-g SAR and ≤ 7.5 for 10-g extremity SAR.
- f(GHz) is the RF channel transmit frequency in GHz
- Power and distance are rounded to the nearest mW and mm before calculation
- The result is rounded to one decimal place for comparison
- The test exclusions are applicable only when the minimum test separation distance is ≤ 50 mm and for transmission frequencies between 100 MHz and 6 GHz. When the minimum test separation distance is < 5 mm, a distance of 5 mm is applied to determine SAR test exclusion.
- When the separation of antenna to EUT's surfaces and edges are < 50 mm, the separation distance used for the SAR exclusion calculations is 5 mm.

UL Japan, Inc.

Ise EMC Lab.

4383-326 Asama-cho, Ise-shi, Mie-ken 516-0021 JAPAN

Telephone: +81 596 24 8999

Facsimile: +81 596 24 8124

2) At 100 MHz to 6 GHz and for test separation distances > 50 mm, the SAR test exclusion threshold is determined according to the following.

Model:BT-W70GA

SAR exclusion calculations for antenna >50mm from the user

Antenna	Tx Interface	Frequency (MHz)	Output Power		Separation Distances (mm)							Calculated Threshold Value						
			dBm	mW	Top	Top tilt	Bottom	Right	Left	Front	Rear	Top	Top tilt	Bottom	Right	Left	Front	Rear
Main	BDR	2480	7.00	5	5.50	5.00	145.90	13.90	26.20	12.10	19.70	< 50 mm	< 50 mm	1054.3 mW -EXEMPT-	< 50 mm	< 50 mm	< 50 mm	< 50 mm
Main	EDR	2480	4.00	3	5.50	5.00	145.90	13.90	26.20	12.10	19.70	< 50 mm	< 50 mm	1054.3 mW -EXEMPT-	< 50 mm	< 50 mm	< 50 mm	< 50 mm
Main	WLAN 2.4G	2462	13.50	22	5.50	5.00	145.90	13.90	26.20	12.10	19.70	< 50 mm	< 50 mm	1054.6 mW -EXEMPT-	< 50 mm	< 50 mm	< 50 mm	< 50 mm
Main	WLAN 5.3G	5320	14.00	25	5.50	5.00	145.90	13.90	26.20	12.10	19.70	< 50 mm	< 50 mm	1024 mW -EXEMPT-	< 50 mm	< 50 mm	< 50 mm	< 50 mm
Main	WLAN 5.6G	5700	14.50	28	5.50	5.00	145.90	13.90	26.20	12.10	19.70	< 50 mm	< 50 mm	1021.8 mW -EXEMPT-	< 50 mm	< 50 mm	< 50 mm	< 50 mm
Main	WLAN 5.8G	5825	13.00	20	5.50	5.00	145.90	13.90	26.20	12.10	19.70	< 50 mm	< 50 mm	1021.2 mW -EXEMPT-	< 50 mm	< 50 mm	< 50 mm	< 50 mm

Model:BT-W75GA

SAR exclusion calculations for antenna >50mm from the user

Antenna	Tx Interface	Frequency (MHz)	Output Power		Separation Distances (mm)							Calculated Threshold Value						
			dBm	mW	Top	Top tilt	Bottom	Right	Left	Front	Rear	Top	Top tilt	Bottom	Right	Left	Front	Rear
Main	BDR	2480	7.00	5	5.50	5.00	145.90	13.90	26.20	12.10	21.70	< 50 mm	< 50 mm	1054.3 mW -EXEMPT-	< 50 mm	< 50 mm	< 50 mm	< 50 mm
Main	EDR	2480	4.00	3	5.50	5.00	145.90	13.90	26.20	12.10	21.70	< 50 mm	< 50 mm	1054.3 mW -EXEMPT-	< 50 mm	< 50 mm	< 50 mm	< 50 mm
Main	WLAN 2.4G	2462	13.50	22	5.50	5.00	145.90	13.90	26.20	12.10	21.70	< 50 mm	< 50 mm	1054.6 mW -EXEMPT-	< 50 mm	< 50 mm	< 50 mm	< 50 mm
Main	WLAN 5.3G	5320	14.00	25	5.50	5.00	145.90	13.90	26.20	12.10	21.70	< 50 mm	< 50 mm	1024 mW -EXEMPT-	< 50 mm	< 50 mm	< 50 mm	< 50 mm
Main	WLAN 5.6G	5700	14.50	28	5.50	5.00	145.90	13.90	26.20	12.10	21.70	< 50 mm	< 50 mm	1021.8 mW -EXEMPT-	< 50 mm	< 50 mm	< 50 mm	< 50 mm
Main	WLAN 5.8G	5825	13.00	20	5.50	5.00	145.90	13.90	26.20	12.10	21.70	< 50 mm	< 50 mm	1021.2 mW -EXEMPT-	< 50 mm	< 50 mm	< 50 mm	< 50 mm

Notes:

1. The upper frequency of the frequency band was used in order to calculate standalone SAR test exclusion considerations.
2. Based on KDB447498D01, minimum distance is 5mm. When the minimum test separation distance is < 5 mm, a distance of 5 mm is applied to determine SAR test exclusion and also § 4.1.5 if the antenna is at close proximity to user then the outer surface of the DUT should be treated as the radiating surface. The test separation distance is then determined by the smallest distance between the outer surface of the device and the user. For the purposes of this report close proximity has been defined as closer than 50 mm. For antennas <50 mm from the each edge the separation distance used for the SAR exclusion calculations is 0mm.
3. Maximum tune-up tolerance limit is by the specification from a customer.
4. Maximum tune-up tolerance limit(mW) is rounded to one decimal place.
5.  $[(3 \cdot 50) / (\sqrt{f(\text{GHz})})] + (\text{test separation distance} - 50 \text{ mm}) \cdot (f(\text{MHz}) / 150)$  mW at > 100 MHz and ≤ 1500 MHz  
 $[(3 \cdot 50) / (\sqrt{f(\text{GHz})})] + (\text{test separation distance} - 50 \text{ mm}) \cdot 10$  mW at > 1500 MHz and ≤ 6 GHz

## Description of the operating mode

### 5.2 Output power operating modes

Mode	Frequency Band	Test Frequency	Modulation
Bluetooth	2402-2480MHz	2402MHz 2441MHz 2480MHz	FHSS (GFSK, $\pi/4$ -DQPSK, 8-DPSK)
IEEE802.11b	2412-2462MHz	2412MHz 2437MHz 2462MHz	DSSS (DBPSK, DQPSK, CCK)
IEEE802.11n40 (5G)	5270-5310MHz	5310MHz	OFDM (BPSK, QPSK, 16QAM, 64QAM, 256QAM)
	5510-5670MHz	5510MHz 5550MHz 5670MHz	
	5755-5795MHz	5755MHz 5795MHz	

\*The power value of the EUT was set for testing as follows (setting value might be different from product specification value);

Power settings: 13dBm(WLAN) / same as product (Bluetooth)

Software: calibrateG

\*This setting of software is the worst case.

Any conditions under the normal use do not exceed the condition of setting.

In addition, end users cannot change the settings of the output power of the product.

\*The identical radio module is used for SAR testing on the both product, BT-W70GA and BT-W75GA.

### 5.3 Output Power and SAR test required

The initial test configuration for 2.4 GHz and 5 GHz OFDM transmission modes is determined by the 802.11 configuration with the highest maximum output power specified for production units, including tune-up tolerance, in each standalone and aggregated frequency band. SAR for the initial test configuration is measured using the highest maximum output power channel determined by the default power measurement procedures. When multiple configurations in a frequency band have the same specified maximum output power, the initial test configuration is determined according to the following steps applied sequentially.

1. The largest channel bandwidth configuration is selected among the multiple configurations with the same specified maximum output power.
2. If multiple configurations have the same specified maximum output power and largest channel bandwidth, the lowest order modulation among the largest channel bandwidth configurations is selected.
3. If multiple configurations have the same specified maximum output power, largest channel bandwidth and lowest order modulation, the lowest data rate configuration among these configurations is selected.
4. When multiple transmission modes (802.11a/g/n/ac) have the same specified maximum output power, largest channel bandwidth, lowest order modulation and lowest data rate, the lowest order 802.11 mode is selected; i.e., 802.11a is chosen over 802.11n then 802.11ac or 802.11g is chosen over 802.11n.

#### Wi-Fi 2.4GHz (DTS Band)

Band (GHz)	Mode	Data Rate	Ch #	Freq. (MHz)	Measured average Power (dBm)	Tune-up upper Power (dBm)	SAR Test (Yes/No)	Note(s)
2.4	802.11b	1 Mbps	1	2412	10.33	12.00	Yes	1
			6	2437	10.25	12.00	No	2
			11	2462	10.32	12.00	No	2
	802.11g	6 Mbps	1	2412	10.09	12.00	No	1
			6	2437	10.01	12.00	No	1
			11	2462	10.25	12.00	No	1
	802.11n (HT20)	6.5 Mbps	1	2412	10.09	12.00	No	1
			6	2437	10.05	12.00	No	1
			11	2462	10.22	12.00	No	1

#### Bluetooth 2.4GHz

Band (GHz)	Mode	Data Rate	Ch #	Freq. (MHz)	Measured average Power (dBm)	Tune-up upper Power (dBm)	SAR Test (Yes/No)	Note(s)
2.4	BDR	DH5	0	2402	6.81	7.00	No	
			39	2441	6.59	7.00	No	
			79	2480	5.96	7.00	No	
	EDR	2DH5	0	2402	3.97	4.00	No	
			39	2441	3.77	4.00	No	
			79	2480	3.17	4.00	No	
	EDR	3DH5	0	2402	3.97	4.00	No	
			39	2441	3.76	4.00	No	
			79	2480	3.20	4.00	No	

#### Note(s):

1. According to KDB248227D01, SAR is required for 802.11g/n HT20 channels when the highest reported SAR for DSSS is adjusted by the ratio of OFDM to DSSS specified maximum output power and the adjusted SAR is >1.2 W/kg.
2. When the reported SAR is > 0.8 W/kg, SAR is required for that exposure configuration using the next highest measured output power channel
3. SAR of Bluetooth test with the highest power was conducted at the worst position of among 2.4GHz WLAN of SAR.

**Wi-Fi 5GHz**

Band (GHz)	Mode	Data Rate	Ch #	Freq. (MHz)	Measured average Power (dBm)	Tune-up upper Power (dBm)	SAR Test (Yes/No)	Note(s)	
5.2 (U-NII 1)	802.11a	6 Mbps	36	5180	12.55	13.00	No	1,2,3	
			44	5220	12.38			1,2,3	
			48	5240	12.28			1,2,3	
	802.11n (HT20)	6.5 Mbps	36	5180	12.58	13.00	No	1,2,3	
			44	5220	12.47			1,2,3	
			48	5240	12.37			1,2,3	
	802.11n (HT40)	13.5 Mbps	38	5190	12.29	13.00	No	1,2,3	
			46	5230	12.25			1,2,3	
	5.3 (U-NII 2A)	802.11a	6 Mbps	56	5280	12.57	13.00	No	1,2,3
60				5300	12.40	1,2,3			
64				5320	12.53	1,2,3			
802.11n (HT20)		6.5 Mbps	56	5280	12.67	13.00	No	1,2,3	
			60	5300	12.50			1,2,3	
			64	5320	12.55			1,2,3	
802.11n (HT40)		13.5 Mbps	62	5310	12.17	13.00	Yes		
5.6 (U-NII-2C)		802.11a	6 Mbps	100	5500	12.71	13.50	No	1,2,3
				116	5580	13.04			1,2,3
	140			5700	12.85	1,2,3			
	802.11n (HT20)	6.5 Mbps	100	5500	12.73	13.50	No	1,2,3	
			116	5580	13.05			1,2,3	
			140	5700	12.87			1,2,3	
	802.11n (HT40)	13.5 Mbps	102	5510	12.43	13.50	Yes	1,2,3	
			110	5550	12.64	13.50	No	1,2,3,4	
			134	5670	13.04	13.50	No	1,2,3,4	
5.8 (U-NII-3)	802.11a	6 Mbps	149	5745	11.15	12.00	No	1,2,3	
			157	5785	11.21			1,2,3	
			165	5825	11.35			1,2,3	
	802.11n (HT20)	6.5 Mbps	149	5745	11.25	12.00	No	1,2,3	
			157	5785	11.27			1,2,3	
			165	5825	11.37			1,2,3	
	802.11n (HT40)	13.5 Mbps	151	5755	10.76	12.00	Yes		
			159	5795	10.64		No	1,2,3,4	

**Note(s):**

1. According to KDB248227D01, SAR is required for 802.11a/n HT20 channels when the highest reported SAR for DSSS is adjusted by the ratio of OFDM to DSSS specified maximum output power and the adjusted SAR is >1.2 W/kg.
2. According to KDB248227D01, when the same transmission mode configurations have the same maximum output power on the same channel for the 802.11 a/g/n/ac modes, the channel in the lower order/sequence 802.11 mode is selected.
3. When the highest reported SAR for the initial test configuration is adjusted by the ratio of the subsequent test configuration to initial test configuration specified maximum output power and the adjusted SAR is ≤ 1.2 W/kg, SAR is not required for that subsequent test configuration.
4. When the reported SAR of the initial test configuration is > 0.8 W/kg, SAR measurement is required for subsequent next highest measured output power channel.
5. Power data other than 802.11n(HT40) with W53, W56, W58 refers to RF report, 11201776H-C.

**UL Japan, Inc.**

**Ise EMC Lab.**

4383-326 Asama-cho, Ise-shi, Mie-ken 516-0021 JAPAN

Telephone: +81 596 24 8999

Facsimile: +81 596 24 8124

## Power Measurement result

## WLAN

## 11b 1 Mbps

Freq. [MHz]	Reading [dBm]	Cable Loss [dB]	Atten. Loss [dB]	Result (Time average)	
				[dBm]	[mW]
2412	-0.68	0.98	10.03	10.33	10.79
2437	-0.77	0.99	10.03	10.25	10.59
2462	-0.71	1.00	10.03	10.32	10.76

## 11g 6 Mbps

Freq. [MHz]	Reading [dBm]	Cable Loss [dB]	Atten. Loss [dB]	Result (Time average)	
				[dBm]	[mW]
2412	-0.92	0.98	10.03	10.09	10.21
2437	-1.01	0.99	10.03	10.01	10.02
2462	-0.78	1.00	10.03	10.25	10.59

## 11n-20 MCS0

Freq. [MHz]	Reading [dBm]	Cable Loss [dB]	Atten. Loss [dB]	Result (Time average)	
				[dBm]	[mW]
2412	-0.92	0.98	10.03	10.09	10.21
2437	-0.97	0.99	10.03	10.05	10.12
2462	-0.81	1.00	10.03	10.22	10.52

## 11n-40 MCS0

Tested Frequency [MHz]	Power Meter Reading [dBm]	Cable Loss [dB]	Atten. Loss [dB]	Result (Time average)	
				[dBm]	[mW]
5310	0.51	1.50	10.16	12.17	16.48
5510	0.67	1.58	10.18	12.43	17.50
5550	0.88	1.58	10.18	12.64	18.37
5670	1.28	1.59	10.17	13.04	20.14
5755	-1.01	1.60	10.17	10.76	11.91
5795	-1.12	1.60	10.16	10.64	11.59

Sample Calculation:

Result (Time average) = Reading + Cable Loss (including the cable(s) customer supplied) + Atten. Loss

## Bluetooth

Mode	Freq. [MHz]	Reading [dBm]	Cable Loss [dB]	Atten. Loss [dB]	Result (Time average)	
					[dBm]	[mW]
DH5	2402.0	-4.19	0.97	10.03	6.81	4.80
DH5	2441.0	-4.43	0.99	10.03	6.59	4.56
DH5	2480.0	-5.07	1.00	10.03	5.96	3.94
2DH5	2402.0	-7.03	0.97	10.03	3.97	2.49
2DH5	2441.0	-7.25	0.99	10.03	3.77	2.38
2DH5	2480.0	-7.86	1.00	10.03	3.17	2.07
3DH5	2402.0	-7.03	0.97	10.03	3.97	2.49
3DH5	2441.0	-7.26	0.99	10.03	3.76	2.38
3DH5	2480.0	-7.83	1.00	10.03	3.20	2.09

Sample Calculation:

Result (Time average) = Reading + Cable Loss + Attenuator Loss

**UL Japan, Inc.****Ise EMC Lab.**

4383-326 Asama-cho, Ise-shi, Mie-ken 516-0021 JAPAN

Telephone: +81 596 24 8999

Facsimile: +81 596 24 8124

#### **5.4 SAR testing operating modes**

The operating mode for SAR testing was decided by the output power

<b>Mode</b>	<b>Frequency Band</b>	<b>Test Frequency</b>	<b>Note</b>
WLAN	2400-2483.5MHz	2412MHz (1 ch)	DSSS(11b)
BT	2400-2483.5MHz	2402MHz (0 ch)	FHSS(DH5)
WLAN	5250-5350MHz	5310MHz (62 ch)	OFDM 11n40
WLAN	5470-5725MHz	5670MHz (134 ch)	OFDM 11n40
WLAN	5725-5850MHz	5755MHz (151 ch)	OFDM 11n40

## **SECTION6: Description of the Body setup**

### **6.1 Procedure for SAR testing**

-The tested procedure was performed according to the KDB 447498 D01 (Mobile and Portable Device RF Exposure Procedures and Equipment Authorization Policies)and the KDB 616217 D04.

### **6.2 Test position for Body setup**

No.	Position	Test distance	WLAN Bluetooth
			Tested
1	Front	0mm	<input checked="" type="checkbox"/>
2	Rear	0mm	<input checked="" type="checkbox"/> *1)
3	Left	0mm	<input checked="" type="checkbox"/>
4	Right	0mm	<input checked="" type="checkbox"/>
5	Top	0mm	<input checked="" type="checkbox"/>
6	Top tilt	0mm	<input checked="" type="checkbox"/>
7	Bottom	0mm	<input type="checkbox"/>

\*1) The difference between BT-W70GA and BT-W75GA is only a camera part. Therefore the additional test was performed with only the rear as difference distance.



## **SECTION7: Test surrounding**

### **7.1 Measurement uncertainty**

This measurement uncertainty budget is suggested by IEEE Std 1528(2013) and IEC62209-2:2010, and determined by Schmid & Partner Engineering AG (DASY5 Uncertainty Budget). Per KDB 865664 D01 SAR Measurement 100 MHz to 6 GHz Section 2.8.1., when the highest measured SAR(1g) within a frequency band is < 1.5W/kg, the extensive SAR measurement uncertainty analysis described in IEEE Std.1528 (2013) is not required in SAR reports submitted for equipment approval.

<0.3 – 3GHz range Body>

Error Description	Uncertai value ±	Probability distribution	divisor	(ci) 1g	Standard (1g)
<b>Measurement System</b>					
Probe calibration	± 6.00	Normal	1	1	± 6.00
Axial isotropy of the probe	± 4.7	Rectangular	$\sqrt{3}$	0.7	± 1.9
Spherical isotropy of the probe	± 9.6	Rectangular	$\sqrt{3}$	0.7	± 3.9
Boundary effects	± 1.0	Rectangular	$\sqrt{3}$	1	± 0.6
Probe linearity	± 4.7	Rectangular	$\sqrt{3}$	1	± 2.7
Detection limit	± 1.0	Rectangular	$\sqrt{3}$	1	± 0.6
Modulation response	± 2.4	Rectangular	$\sqrt{3}$	1	± 1.4
Readout electronics	± 0.3	Normal	1	1	± 0.3
Response time	± 0.8	Rectangular	$\sqrt{3}$	1	± 0.5
Integration time	± 2.6	Rectangular	$\sqrt{3}$	1	± 1.5
RF ambient Noise	± 3.0	Rectangular	$\sqrt{3}$	1	± 1.7
RF ambient Reflections	± 3.0	Rectangular	$\sqrt{3}$	1	± 1.7
Probe Positioner	± 0.4	Rectangular	$\sqrt{3}$	1	± 0.2
Probe positioning	± 2.9	Rectangular	$\sqrt{3}$	1	± 1.7
Max.SAR Eval.	± 2.0	Rectangular	$\sqrt{3}$	1	± 1.2
<b>Test Sample Related</b>					
Device positioning	± 2.9	Normal	1	1	± 2.9
Device holder uncertainty	± 3.6	Normal	1	1	± 3.6
Power drift	± 5.0	Rectangular	$\sqrt{3}$	1	± 2.9
Power Scaling	+ 0.0	Rectangular	$\sqrt{3}$	1	± 0.0
<b>Phantom and Setup</b>					
Phantom uncertainty	± 6.1	Rectangular	$\sqrt{3}$	1	± 3.5
Algorithm for correcting SAR for deviations in permittivity and conductivity	± 1.9	Normal	1	1	± 1.9
Liquid permittivity (meas.)	- 3.6	Rectangular	1	0.23	- 0.8
Liquid conductivity (meas.)	+ 2.3	Rectangular	1	0.78	+ 1.8
Liquid conductivity - temp.unc (below 2deg.C.)	± 5.2	Rectangular	$\sqrt{3}$	0.78	± 2.3
Liquid permittivity - temp.unc (below 2deg.C.)	± 0.8	Rectangular	$\sqrt{3}$	0.23	± 0.1
<b>Combined Standard Uncertainty</b>					± <b>11.433</b>
<b>Expanded Uncertainty (k=2)</b>					± <b>22.9</b>

\* Table of uncertainties are listed for ISO/IEC 17025.

<3 – 6GHz range Body>

Error Description	Uncertai value ±	Probability distribution	divisor	(ci) lg	Standard (lg)
<b>Measurement System</b>					
Probe calibration	± 6.55	Normal	1	1	± 6.55
Axial isotropy of the probe	± 4.7	Rectangular	$\sqrt{3}$	0.7	± 1.9
Spherical isotropy of the probe	± 9.6	Rectangular	$\sqrt{3}$	0.7	± 3.9
Boundary effects	± 1.0	Rectangular	$\sqrt{3}$	1	± 0.6
Probe linearity	± 4.7	Rectangular	$\sqrt{3}$	1	± 2.7
Detection limit	± 1.0	Rectangular	$\sqrt{3}$	1	± 0.6
Modulation response	± 2.4	Rectangular	$\sqrt{3}$	1	± 1.4
Readout electronics	± 0.3	Normal	1	1	± 0.3
Response time	± 0.8	Rectangular	$\sqrt{3}$	1	± 0.5
Integration time	± 2.6	Rectangular	$\sqrt{3}$	1	± 1.5
RF ambient Noise	± 3.0	Rectangular	$\sqrt{3}$	1	± 1.7
RF ambient Reflections	± 3.0	Rectangular	$\sqrt{3}$	1	± 1.7
Probe Positioner	± 0.4	Rectangular	$\sqrt{3}$	1	± 0.2
Probe positioning	± 2.9	Rectangular	$\sqrt{3}$	1	± 1.7
Max.SAR Eval.	± 2.0	Rectangular	$\sqrt{3}$	1	± 1.2
<b>Test Sample Related</b>					
Device positioning	± 2.9	Normal	1	1	± 2.9
Device holder uncertainty	± 3.6	Normal	1	1	± 3.6
Power drift	± 5.0	Rectangular	$\sqrt{3}$	1	± 2.9
Power Scaling	+ 0.0	Rectangular	$\sqrt{3}$	1	± 0.0
<b>Phantom and Setup</b>					
Phantom uncertainty	± 6.1	Rectangular	$\sqrt{3}$	1	± 3.5
Algorithm for correcting SAR for deviations in permittivity and conductivity	± 1.9	Normal	1	1	± 1.9
Liquid permittivity (meas.)	- 4.9	Rectangular	1	0.23	- 1.1
Liquid conductivity (meas.)	+ 3.5	Rectangular	1	0.78	+ 2.7
Liquid conductivity - temp.unc (below 2deg.C.)	± 5.2	Rectangular	$\sqrt{3}$	0.78	± 2.3
Liquid permittivity - temp.unc (below 2deg.C.)	± 0.8	Rectangular	$\sqrt{3}$	0.23	± 0.1
<b>Combined Standard Uncertainty</b>					± <b>11.934</b>
<b>Expanded Uncertainty (k=2)</b>					± <b>23.9</b>

\* Table of uncertainties are listed for ISO/IEC 17025.

## **SECTION8: Parameter Check**

The dielectric parameters were checked prior to assessment using the DAK dielectric probe kit. The dielectric parameters measurement is reported in each correspondent section.

According to KDB865664 D01, +/- 5% tolerances are required for  $\epsilon_r$  and  $\sigma$  and then below table which is the target value of the simulated tissue liquid is quoted from KDB865664 D01.

Target Frequency (MHz)	Head		Body	
	$\epsilon_r$	$\sigma$ (S/m)	$\epsilon_r$	$\sigma$ (S/m)
150	52.3	0.76	61.9	0.80
300	45.3	0.87	58.2	0.92
450	43.5	0.87	56.7	0.94
835	41.5	0.90	55.2	0.97
900	41.5	0.97	55.0	1.05
915	41.5	0.98	55.0	1.06
1450	40.5	1.20	54.0	1.30
1610	40.3	1.29	53.8	1.40
1800 – 2000	40.0	1.40	53.3	1.52
2450	39.2	1.80	52.7	1.95
3000	38.5	2.40	52.0	2.73
5800	35.3	5.27	48.2	6.00

( $\epsilon_r$  = relative permittivity,  $\sigma$  = conductivity and  $\rho = 1000 \text{ kg/m}^3$ )

For SAR measurement

<b>DIELECTRIC PARAMETERS MEASUREMENT RESULTS</b>											
Date	Ambient Temp. [deg.c]	Relative Humidity [%]	Liquid type	Liquid Temp. [deg.c]	Measured Frequency [MHz]	Parameters	Target Value*1	Measured	Deviation [%]	Limit [%]	Remark
20-Apr	24.0	45	MSL 2450	23.5	2412	$\epsilon_r$	52.8	50.9	-3.6	+/-5	*2
						$\sigma$ [mho/m]	1.91	1.96	2.3	+/-5	
17-May	24.0	45	MBBL3500-5800V5	23.5	5310	$\epsilon_r$	48.9	48.6	-0.6	+/-5	*2
						$\sigma$ [mho/m]	5.43	5.62	3.4	+/-5	
17-May	24.0	45	MBBL3500-5800V5	23.5	5670	$\epsilon_r$	48.4	46.0	-4.9	+/-5	*2
						$\sigma$ [mho/m]	5.85	5.96	1.8	+/-5	
18-May	24.0	45	MBBL3500-5800V5	23.5	5755	$\epsilon_r$	48.3	47.0	-2.5	+/-5	*2
						$\sigma$ [mho/m]	5.95	6.15	3.5	+/-5	

For SAR system check

DIELECTRIC PARAMETERS MEASUREMENT RESULTS											
Date	Ambient Temp. [deg.c]	Relative Humidity [%]	Liquid type	Liquid Temp. [deg.c]	Measured Frequency [MHz]	Parameters	Target Value*1	Measured	Deviation [%]	Limit [%]	Remark
20-Apr	24.0	45	MSL2450	23.5	2450	$\epsilon_r$	52.7	50.7	-3.8	+/-5	*2
						$\sigma$ [mho/m]	1.95	2.01	3.0	+/-5	
17-May	24.0	45	MBBL3500-5800V5	23.5	5250	$\epsilon_r$	48.9	48.6	-0.6	+/-5	*2
						$\sigma$ [mho/m]	5.36	5.58	4.2	+/-5	
17-May	24.0	45	MBBL3500-5800V5	23.5	5600	$\epsilon_r$	48.5	47.1	-2.8	+/-5	*2
						$\sigma$ [mho/m]	5.77	5.79	0.5	+/-5	
18-May	24.0	45	MBBL3500-5800V5	23.5	5750	$\epsilon_r$	48.3	47.0	-2.7	+/-5	*2
						$\sigma$ [mho/m]	5.94	6.18	4.1	+/-5	

 $\epsilon_r$ : Relative Permittivity /  $\sigma$ : Conductivity

\*1 The Target value is a parameter defined in KDB 865664D01.

\*2 The dielectric parameters should be linearly interpolated between the closest pair of target frequencies to determine the applicable dielectric parameters corresponding to the device test frequency.

**Correlation confirmation with measured TSL parameters of the calibration certificate of system validation dipoles (Refer to Appendix 2)**+/- 6% limit for deviation provided by manufacture tolerances are required for  $\epsilon_r$  and  $\sigma$  and then below table which is the target value of the simulated tissue liquid is quoted from data measured TSL parameters of dipole calibration.

Freq [MHz]	Model, S/N, Frequency	Head		Body	
		$\epsilon_r$	$\sigma$ [mho/m]	$\epsilon_r$	$\sigma$ [mho/m]
2450	D2450,713_2450 MHz	39.4	1.83	52.2	2
5250	D5GHV2,1020_5250 MHz	35.2	4.55	47	5.44
5600	D5GHV2,1020_5600 MHz	34.7	4.9	46.4	5.91
5750	D5GHV2,1020_5750 MHz	34.5	5.05	46.1	6.12

DIELECTRIC PARAMETERS MEASUREMENT RESULTS										
Date	Ambient Temp. [deg.c]	Relative Humidity [%]	Liquid type	Liquid Temp. [deg.c]	Model, S/N, Frequency	Parameters	Target Value*1	Measured	Deviation [%]	Limit [%]
20-Apr	24.0	45	MSL2450	23.5	D2450,713_2450 MHz	$\epsilon_r$	52.2	50.7	-2.9	+/-6
						$\sigma$ [mho/m]	2.00	2.01	0.4	+/-6
17-May	24.0	45	MBBL3500-5800V5	23.5	D5GHV2,1020_5250 MHz	$\epsilon_r$	47.0	48.6	3.5	+/-6
						$\sigma$ [mho/m]	5.44	5.58	2.6	+/-6
17-May	24.0	45	MBBL3500-5800V5	23.5	D5GHV2,1020_5600 MHz	$\epsilon_r$	46.4	47.1	1.5	+/-6
						$\sigma$ [mho/m]	5.91	5.79	-2.0	+/-6
18-May	24.0	45	MBBL3500-5800V5	23.5	D5GHV2,1020_5750 MHz	$\epsilon_r$	46.1	47.0	1.8	+/-6
						$\sigma$ [mho/m]	6.12	6.18	1.0	+/-6

 $\epsilon_r$ : Relative Permittivity /  $\sigma$ : Conductivity

\*1 The Target value is a parameter defined in each Dipole.

**UL Japan, Inc.****Ise EMC Lab.**

4383-326 Asama-cho, Ise-shi, Mie-ken 516-0021 JAPAN

Telephone: +81 596 24 8999

Facsimile: +81 596 24 8124

## **SECTION9: System Check confirmation**

The measurements were performed in the flat section of the TWIN SAM or ELI phantom, shell thickness:  $2.0 \pm 0.2$  mm (bottom plate) filled with Body or Head simulating liquid of the following parameters.

The depth of tissue-equivalent liquid in a phantom must be  $\geq 15.0$  cm  $\pm 0.5$  cm for SAR measurements  $\leq 3$  GHz and  $\geq 10.0$  cm  $\pm 0.5$  cm for measurements  $> 3$  GHz.

The DASY system with an E-Field Probe was used for the measurements.

The dipole was mounted on the small tripod so that the dipole feed point was positioned below the center marking of the flat phantom section and the dipole was oriented parallel to the body axis (the long side of the phantom).

The standard measuring distance was 10 mm (above 1GHz to 6GHz) and 15 mm (below 1GHz) from dipole center to the simulating liquid surface.

The coarse grid with a grid spacing of 12 mm (1GHz to 3GHz) and 15 mm (below 1GHz) was aligned with the dipole.

For 5 GHz band - The coarse grid with a grid spacing of 10 mm was aligned with the dipole.

Special 7x7x7 (below 3 GHz) and/or 8x8x7 (above 3 GHz) fine cube was chosen for the cube.

Distance between probe sensors and phantom surface was set to 3 mm.

For 5 GHz band - Distance between probe sensors and phantom surface was set to 2.5 mm

The dipole input power (forward power) was 100 mW(For 5GHz band) or 250 mW(For other band).

The results are normalized to 1 W input power.

Freq [MHz]	Model,S/N	Body *1	
		(SPEAG) 1g [W/kg]	(SPEAG) 10g[W/kg]
2450	D2450,713	50.4	23.56
5250	D5GHV2,1020	73.6	20.9
5600	D5GHV2,1020	78.2	22.1
5750	D5GHV2,1020	73.9	2.07

\*1 The target(reference) SAR values can be obtained from the calibration certificate of system validation dipoles(Refer to Appendix 2). The target SAR values are SAR measured value in the calibration certificate scaled to 1W.

Date Tested	Model,S/N,Frequency	T.S. Liquid	Measured Results		Target (Ref. Value)	Delta ±10 %	
			Zoom Scan	Normalize to 1 W			
4/20/2016	D2450,713_2450 MHz	Body	(SPEAG) 1g [W/kg]	13.30	53.2	50.40	5.56
			(SPEAG) 10g[W/kg]	6.16	24.64	23.56	4.58
5/17/2016	D5GHV2,1020_5250 MHz	Body	(SPEAG) 1g [W/kg]	7.52	75.2	73.60	2.17
			(SPEAG) 10g[W/kg]	2.11	21.10	20.90	0.96
5/17/2016	D5GHV2,1020_5600 MHz	Body	(SPEAG) 1g [W/kg]	8.00	80.0	78.20	2.30
			(SPEAG) 10g[W/kg]	2.18	21.80	22.10	-1.36
5/18/2016	D5GHV2,1020_5750 MHz	Body	(SPEAG) 1g [W/kg]	7.35	73.5	73.90	-0.54
			(SPEAG) 10g[W/kg]	2.04	20.40	20.70	-1.45

## **SECTION10: SAR Test data for WLAN 2.4GHz**

### **10.1 Method of measurement**

Step.1 The searching for the worst position \*1\*2\*3  
The test was performed at the highest power channel of DSSS.

Note:

\*1 Highest measured output power channel was tested initially according to KDB248227D01.

\*2 SAR is not required for the following 2.4 GHz OFDM conditions according to KDB248227D01.

- 1) When KDB447498D01 SAR test exclusion applies to the OFDM configuration.
- 2) When the highest reported SAR for DSSS is adjusted by the ratio of OFDM to DSSS specified maximum output power and the adjusted SAR is  $\leq 1.2$  W/kg. Refer to (4) OFDM mode exclusion considerations.

\*3 According to KDB248227D01

- 1) When the *reported* SAR of the highest measured maximum output power channel for the exposure configuration is  $\leq 0.8$  W/kg, no further SAR testing is required for 802.11b DSSS in that exposure configuration.
- 2) When the *reported* SAR is  $> 0.8$  W/kg, SAR is required for that exposure configuration using the next highest measured output power channel. When any *reported* SAR is  $> 1.2$  W/kg, SAR is required for the third channel.

## 10.2 Result of Body SAR

Model:BT-W70GA

Test Position	Mode	Dist. (mm)	Ch #.	Freq. (MHz)	Power (dBm)		Scaled factor	1-g SAR (W/kg)	
					Tune-up limit	Meas.		Meas.	Scaled
Top	802.11b	0	1	2412	12.00	10.33	1.47	0.057	0.084
			6	2437	12.00	10.25	1.50		
			11	2462	12.00	10.32	1.47		
Top tilt	802.11b	0	1	2412	12.00	10.33	1.47	0.075	0.110
			6	2437	12.00	10.25	1.50		
			11	2462	12.00	10.32	1.47		
Right	802.11b	0	1	2412	12.00	10.33	1.47	0.067	0.098
			6	2437	12.00	10.25	1.50		
			11	2462	12.00	10.32	1.47		
Left	802.11b	0	1	2412	12.00	10.33	1.47	0.073	0.107
			6	2437	12.00	10.25	1.50		
			11	2462	12.00	10.32	1.47		
Front	802.11b	0	1	2412	12.00	10.33	1.47	0.068	0.100
			6	2437	12.00	10.25	1.50		
			11	2462	12.00	10.32	1.47		
Rear	802.11b	0	1	2412	12.00	10.33	1.47	0.038	0.056
			6	2437	12.00	10.25	1.50		
			11	2462	12.00	10.32	1.47		

Model:BT-W75GA

Test Position	Mode	Dist. (mm)	Ch #.	Freq. (MHz)	Power (dBm)		Scaled factor	1-g SAR (W/kg)	
					Tune-up limit	Meas.		Meas.	Scaled
Rear	802.11b	0	1	2412	12.00	10.33	1.47	0.030	0.044
			6	2437	12.00	10.25	1.50		
			11	2462	12.00	10.32	1.47		

### Note(s):

- Scaled factor = Maximum tune-up tolerance limit [mW] / Measured power [mW]
- Scaled SAR (Reported SAR)= Measured SAR [W/kg] · Scaled factor

OFDM was excluded from the following table according to KDB248227D01.

Maximum tune-up tolerance limit DSSS		Maximum tune-up tolerance limit OFDM		OFDM scaled	Position	DSSS Reported SAR value [W/kg]	OFDM Estimated SAR value [W/kg] *4	Exclusion limit [W/kg]	Standalone SAR tested
[dBm]	[mW]	[dBm]	[mW]						
12.00	15.85	12.00	15.85	1.000	Top tilt	0.110	0.110	< 1.2	No

### Notes:

- Scaled factor = Maximum tune-up tolerance limit [mW] / Measured power [mW]
- Scaled SAR (Reported SAR)= Measured SAR [W/kg] · Scaled factor
- OFDM scaled factor = Maximum tune-up tolerance limit of OFDM [mW] / Maximum tune-up tolerance limit of DSSS [mW]
- Estimated SAR of OFDM= Reported SAR of DSSS[W/kg] · OFDM scaled factor

UL Japan, Inc.

Ise EMC Lab.

4383-326 Asama-cho, Ise-shi, Mie-ken 516-0021 JAPAN

Telephone: +81 596 24 8999

Facsimile: +81 596 24 8124



## **SECTION11: SAR Test data for WLAN 5.3GHz**

### **11.1 Method of measurement**

Step.1 The searching for the worst position \*1\*2  
The test was performed at the highest power channel.

Note:

\*1 According to KDB248227D01

Highest measured output power channel was tested initially.

\*2 According to KDB248227D01

When the reported SAR of the initial test configuration is > 0.8 W/kg, SAR measurement is required for subsequent next highest measured output power channel.

### **11.2 Result of Body SAR**

Model:BT-W70GA

Test Position	Mode	Dist. (mm)	Ch #.	Freq. (MHz)	Power (dBm)		Scaled factor	1-g SAR (W/kg)	
					Tune-up limit	Meas.		Meas.	Scaled
Top	802.11n40	0	62	5310	13.00	12.17	1.21	0.196	0.237
Top tilt	802.11n40	0	62	5310	13.00	12.17	1.21	0.180	0.218
Right	802.11n40	0	62	5310	13.00	12.17	1.21	0.167	0.202
Left	802.11n40	0	62	5310	13.00	12.17	1.21	0.074	0.090
Front	802.11n40	0	62	5310	13.00	12.17	1.21	0.099	0.120
Rear	802.11n40	0	62	5310	13.00	12.17	1.21	0.060	0.073

Model:BT-W75GA

Test Position	Mode	Dist. (mm)	Ch #.	Freq. (MHz)	Power (dBm)		Scaled factor	1-g SAR (W/kg)	
					Tune-up limit	Meas.		Meas.	Scaled
Rear	802.11n40	0	62	5310	13.00	12.17	1.21	0.071	0.086

**W52Band was excluded according to KDB248227D01.**

Since W52 and W53 has same Tune up limit and The highest reported SAR for a test configuration is ≤ 1.2 W/kg, SAR is not required for W52 band for that configuration.

#### **Notes:**

1. Scaled factor = Maximum tune-up tolerance limit [mW] / Measured power [mW]
2. Scaled SAR (Reported SAR)= Measured SAR [W/kg] · Scaled factor

## **SECTION12: SAR Test data for WLAN 5.6GHz**

### **12.1 Method of measurement**

Step.1 The searching for the worst position \*1\*2  
The test was performed at the highest power channel.

Note:

\*1 According to KDB248227D01

Highest measured output power channel was tested initially.

\*2 According to KDB248227D01

When the reported SAR of the initial test configuration is > 0.8 W/kg, SAR measurement is required for subsequent next highest measured output power channel.

### **12.2 Result of Body SAR**

Model:BT-W70GA

Test Position	Mode	Dist. (mm)	Ch #.	Freq. (MHz)	Power (dBm)		Scaled factor	1-g SAR (W/kg)	
					Tune-up limit	Meas.		Meas.	Scaled
Top	802.11n40	0	102	5510	13.50	12.43	1.28		
			110	5550	13.50	12.64	1.22		
			134	5670	13.50	13.04	1.11	0.211	0.235
Top tilt	802.11n40	0	102	5510	13.50	12.43	1.28		
			110	5550	13.50	12.64	1.22		
			134	5670	13.50	13.04	1.11	0.177	0.197
Right	802.11n40	0	102	5510	13.50	12.43	1.28		
			110	5550	13.50	12.64	1.22		
			134	5670	13.50	13.04	1.11	0.135	0.150
Left	802.11n40	0	102	5510	13.50	12.43	1.28		
			110	5550	13.50	12.64	1.22		
			134	5670	13.50	13.04	1.11	0.077	0.086
Front	802.11n40	0	102	5510	13.50	12.43	1.28		
			110	5550	13.50	12.64	1.22		
			134	5670	13.50	13.04	1.11	0.079	0.088
Rear	802.11n40	0	102	5510	13.50	12.43	1.28		
			110	5550	13.50	12.64	1.22		
			134	5670	13.50	13.04	1.11	0.022	0.024

Model:BT-W75GA

Test Position	Mode	Dist. (mm)	Ch #.	Freq. (MHz)	Power (dBm)		Scaled factor	1-g SAR (W/kg)	
					Tune-up limit	Meas.		Meas.	Scaled
Rear	802.11n40	0	102	5510	13.50	12.43	1.28		
			110	5550	13.50	12.64	1.22		
			134	5670	13.50	13.04	1.11	0.078	0.087

#### **Notes:**

1. Scaled factor = Maximum tune-up tolerance limit [mW] / Measured power [mW]
2. Scaled SAR (Reported SAR)= Measured SAR [W/kg] · Scaled factor

**UL Japan, Inc.**

**Ise EMC Lab.**

4383-326 Asama-cho, Ise-shi, Mie-ken 516-0021 JAPAN

Telephone: +81 596 24 8999

Facsimile: +81 596 24 8124

## **SECTION13: SAR Test data for WLAN 5.8GHz**

### **13.1 Method of measurement**

Step.1 The searching for the worst position \*1\*2  
The test was performed at the highest power channel.

Note:

\*1 According to KDB248227D01

Highest measured output power channel was tested initially.

\*2 According to KDB248227D01

When the reported SAR of the initial test configuration is > 0.8 W/kg, SAR measurement is required for subsequent next highest measured output power channel.

### **13.2 Result of Body SAR**

Model:BT-W70GA

Test Position	Mode	Dist. (mm)	Ch #.	Freq. (MHz)	Power (dBm)		Scaled factor	1-g SAR (W/kg)	
					Tune-up limit	Meas.		Meas.	Scaled
Top	802.11n40	0	151	5755	12.00	10.76	1.33	0.138	0.184
			159	5795	12.00	10.64	1.37		
Top tilt	802.11n40	0	151	5755	12.00	10.76	1.33	0.132	0.176
			159	5795	12.00	10.64	1.37		
Right	802.11n40	0	151	5755	12.00	10.76	1.33	0.106	0.141
			159	5795	12.00	10.64	1.37		
Left	802.11n40	0	151	5755	12.00	10.76	1.33	0.071	0.094
			159	5795	12.00	10.64	1.37		
Front	802.11n40	0	151	5755	12.00	10.76	1.33	0.085	0.113
			159	5795	12.00	10.64	1.37		
Rear	802.11n40	0	151	5755	12.00	10.76	1.33	0.022	0.029
			159	5795	12.00	10.64	1.37		

Model:BT-W75GA

Test Position	Mode	Dist. (mm)	Ch #.	Freq. (MHz)	Power (dBm)		Scaled factor	1-g SAR (W/kg)	
					Tune-up limit	Meas.		Meas.	Scaled
Rear	802.11n40	0	151	5755	12.00	10.76	1.33	0.076	0.101
			159	5795	12.00	10.64	1.37		

#### **Notes:**

1. Scaled factor = Maximum tune-up tolerance limit [mW] / Measured power [mW]
2. Scaled SAR (Reported SAR)= Measured SAR [W/kg] · Scaled factor

**UL Japan, Inc.**

**Ise EMC Lab.**

4383-326 Asama-cho, Ise-shi, Mie-ken 516-0021 JAPAN

Telephone: +81 596 24 8999

Facsimile: +81 596 24 8124

**SECTION14: Test instruments**

Control No.	Instrument	Manufacturer	Model No	Serial No	Test Item	Calibration Date * Interval(month)
MOS-14	Thermo-Hygrometer	Custom	CTH-201	1401	SAR	2016/01/21 * 12
MPM-16	Power Meter	Agilent	8990B	MY51000271	SAR	2016/04/07 * 12
MPSE-23	Power sensor	Agilent	N1923A	MY54070004	SAR	2016/04/07 * 12
MAT-22	Attenuator(10dB) 1-18GHz	Orient Microwave	BX10-0476-00	-	SAR	2016/03/18 * 12
MPM-13	Power Meter	Anritsu	ML2495A	0824014	SAR	2015/11/11 * 12
MPSE-18	Power sensor	Anritsu	MA2411B	0738174	SAR	2015/11/11 * 12
MAT-23	Attenuator(10dB) 1-18GHz	Orient Microwave	BX10-0476-00	-	SAR	2016/03/18 * 12
MCC-45	Microwave Cable	Murata	MXGS83RK3000	-	SAR	2015/07/27 * 12
MOS-14	Thermo-Hygrometer	Custom	CTH-201	1401	SAR	2016/01/21 * 12
MNA-03	Vector Reflectometer	Copper Mountain Technologies	PLANAR R140	0030913	SAR	2015/10/30 * 12
MDPK-03	Dielectric assessment kit	Schmid&Partner Engineering AG	DAK-3.5	0008	SAR	2016/04/12 * 12
MOS-37	Digital thermometer	LKM electronic	DTM3000	-	SAR	2015/07/07 * 12
COTS-MSAR-04	Dielectric assessment software	Schmid&Partner Engineering AG	DAK		SAR	-
MPM-11	Dual Power Meter	Agilent	E4419B	MY45102060	SAR	2015/08/04 * 12
MPSE-15	Power sensor	Agilent	E9301A	MY41498311	SAR	2015/08/04 * 12
MPSE-16	Power sensor	Agilent	E9301A	MY41498313	SAR	2015/08/04 * 12
MRFA-24	Pre Amplifier	R&K	R&K CGA020M602-2633R	B30550	SAR	2015/06/15 * 12
MSG-10	Signal Generator	Agilent	N5181A	MY47421098	SAR	2015/11/16 * 12
MAT-78	Attenuator	Telegartner	J01156A0011	0042294119	SAR	Pre Check
MPM-15	Power Meter	Agilent	N1914A	MY53060017	SAR	2015/06/15 * 12
MPSE-21	Power sensor	Agilent	N8482H	MY52460010	SAR	2015/06/15 * 12
MHDC-12	Dual Directional Coupler	Hewlett Packard	772D	2839A0016	SAR(2-18GHz)	Pre Check
MDA-07	Dipole Antenna	Schmid&Partner Engineering AG	D2450V2	713	SAR(D2450)	2013/09/10 * 36
MMSL2450	Tissue simulation liquid (Body)	Schmid&Partner Engineering AG	MSL2450V2	SL AA 245 BA	SAR*Daily Check Target Value $\pm 5\%$	Pre Check
MDA-08	Dipole Antenna	Schmid&Partner Engineering AG	D5GHzV2	1020	SAR(D5G)	2016/01/20 * 12
MMBBL3.5-5.8	Tissue simulation liquid (Body)	Schmid&Partner Engineering AG	MBBL3500-5800V5	SL AAM 501 DA	SAR*Daily Check Target Value $\pm 5\%$	Pre Check
MDAE-03	Data Acquisition Electronics	Schmid&Partner Engineering AG	DAE4	1372	SAR	2015/06/15 * 12
MPB-09	Dosimetric E-Field Probe	Schmid&Partner Engineering AG	EX3DV4	3922	SAR	2015/06/17 * 12

Control No.	Instrument	Manufacturer	Model No	Serial No	Test Item	Calibration Date * Interval(month)
MPF-04	2mm Oval Flat Phantom	Schmid&Partner Engineering AG	QDOVA001BB	1207	SAR	2016/05/07 * 12
MDH-03	Device holder	Schmid&Partner Engineering AG	Mounting device for transmitter	-	SAR	Pre Check
MOS-35	Digital thermometer	HANNA	Checktemp 4	-	SAR	2015/07/07 * 12
COTS-MSAR-03	Dasy5	Schmid&Partner Engineering AG	DASY5	-	SAR	-
MRBT-04	SAR robot	Schmid&Partner Engineering AG	TX60 Lspeag	F13/5PPLA1/A/01	SAR	2015/06/23 * 12
MDAE-01	Data Acquisition Electronics	Schmid&Partner Engineering AG	DAE4	509	SAR	2015/07/07 * 12
MPB-07	Dosimetric E-Field Probe	Schmid&Partner Engineering AG	EX3DV4	3825	SAR	2015/12/11 * 12
MPF-02	2mm Oval Flat Phantom	Schmid&Partner Engineering AG	QDOVA001BB	1045	SAR	2016/05/07 * 12
MDH-01	Device holder	Schmid&Partner Engineering AG	Mounting device for transmitter	-	SAR	Pre Check
MOS-26	Thermo-Hygrometer	CUSTOM	CTH-201	A08Q29	SAR	2016/04/19 * 12
MRBT-02	SAR robot	Schmid&Partner Engineering AG	TX60 Lspeag	F10/5E3LA1/A/01	SAR	2016/04/30 * 12

\*1) This test equipment was used for the tests before the expiration date of the calibration.

The expiration date of the calibration is the end of the expired month.

All equipment is calibrated with valid calibrations. Each measurement data is traceable to the national or international standards.

As for some calibrations performed after the tested dates, those test equipment have been controlled by means of an unbroken chains of calibrations.

SAR room is checked before every testing and ambient noise is <0.012W/kg

## **APPENDIX 1 : SAR Measurement data**

### **Evaluation procedure**

**The evaluation was performed with the following procedure:**

**Step 1:** Measurement of the E-field at a fixed location above the ear point or central position of flat phantom was used as a reference value for assessing the power drop.

**Step 2:** The SAR distribution at the exposed side of head or body position was measured at a distance of each device from the inner surface of the shell. The area covered the entire dimension of the antenna of EUT and the horizontal grid spacing was 15 mm x 15 mm, 12 mm x 12 mm or 10mm x 10mm. Based on these data, the area of the maximum absorption was determined by spline interpolation.

**Step 3:** Around this point found in the Step 2 (area scan), a volume of 30mm x 30mm x 30mm or more was assessed by measuring 7 x 7 x 7 points at least for below 3GHz and a volume of 28 mm x 28mm x 22.5mm or more was assessed by measuring 8 x 8 x 6(ratio step method (\*1)) points at least for 5GHz band.

And for any secondary peaks found in the Step2 which are within 2dB of maximum peak and not with this Step3 (Zoom scan) is repeated. On the basis of this data set, the spatial peak SAR value was evaluated under the following procedure:

(1). The data at the surface were extrapolated, since the center of the dipoles is 1mm(EX3DV4) away from the tip of the probe and the distance between the surface and the lowest measuring point is 1.3 mm. The extrapolation was based on a least square algorithm [4]. A polynomial of the fourth order was calculated through the points in z-axes. This polynomial was then used to evaluate the points between the surface and the probe tip.

(2). The maximum interpolated value was searched with a straightforward algorithm. Around this maximum the SAR values averaged over the spatial volumes (1 g or 10 g) were computed by the 3D-Spline interpolation algorithm. The 3D-Spline is composed of three one-dimensional splines with the "Not a knot"-condition (in x, y and z-directions) [4], [5]. The volume was integrated with the trapezoidal-algorithm. One thousand points (10 x 10 x 10) were interpolated to calculate the average.

(3). All neighboring volumes were evaluated until no neighboring volume with a higher average value was found.

**\*1. Ratio step method parameters used;**

**The first measurement point: 2mm from the phantom surface, the initial grid separation: 2mm, subsequent graded grid ratio: 1.5**  
**These parameters comply with the requirement of the KDB 865664D01.**

**Step 4:** Re-measurement of the E-field at the same location as in Step 1.

Confirmation after SAR testing

It was checked that the power drift [W] is within +/-5%. The verification of power drift during the SAR test is that DASY5 system calculates the power drift by measuring the e-field at the same location at beginning and the end of the scan measurement for each test position.

DASY5 system calculation Power drift value[dB] =  $20\log(E_a)/(E_b)$

Before SAR testing :  $E_b$ [V/m]

After SAR testing :  $E_a$ [V/m]

Limit of power drift[W] = +/-5%

$X[\text{dB}] = 10\log[P] = 10\log(1.05/1) = 10\log(1.05) - 10\log(1) = 0.212\text{dB}$

from E-field relations with power.

$p = E^2/\eta = E^2/$

Therefore, The correlation of power and the E-field

$X_{\text{dB}} = 10\log(P) = 10\log(E)^2 = 20\log(E)$

Therefore,

The calculated power drift of DASY5 System must be the less than +/-0.212dB.

### Measurement data 2.4GHz

#### WLAN 11b 1Mbps 2412MHzTop

Communication System: UID 0, WLAN 11a/b/g/n (0)Communication System Band: 11b/g/n (2.4G); Frequency: 2412 MHz; Duty Cycle: 1:1

Medium parameters used (interpolated):  $f = 2412$  MHz;  $\sigma = 1.958$  S/m;  $\epsilon_r = 50.853$ ;  $\rho = 1000$  kg/m<sup>3</sup>

Phantom section: Flat Section

Measurement Standard: DASY5 (IEEE/IEC/ANSI C63.19-2011)

DASY5 Configuration

Probe: EX3DV4 - SN3825; ConvF(7.29, 7.29, 7.29); Calibrated: 2015/12/11;

Sensor-Surface: 2mm (Mechanical Surface Detection)

Electronics: DAE4 Sn509; Calibrated: 2015/07/07

Phantom: ELI v4.0 (20deg probe tilt); Type: QDOVA001BB; Serial: TP:1045

Measurement SW: DASY52, Version 52.8 (8); SEMCAD X Version 14.6.10 (7331)

**Area Scan 2 2 (51x71x1):** Interpolated grid: dx=1.200 mm, dy=1.200 mm

Maximum value of SAR (interpolated) = 0.0820 W/kg

**Zoom Scan (7x7x7)/Cube 0:** Measurement grid: dx=5mm, dy=5mm, dz=5mm

Reference Value = 3.675 V/m; Power Drift = -0.10 dB

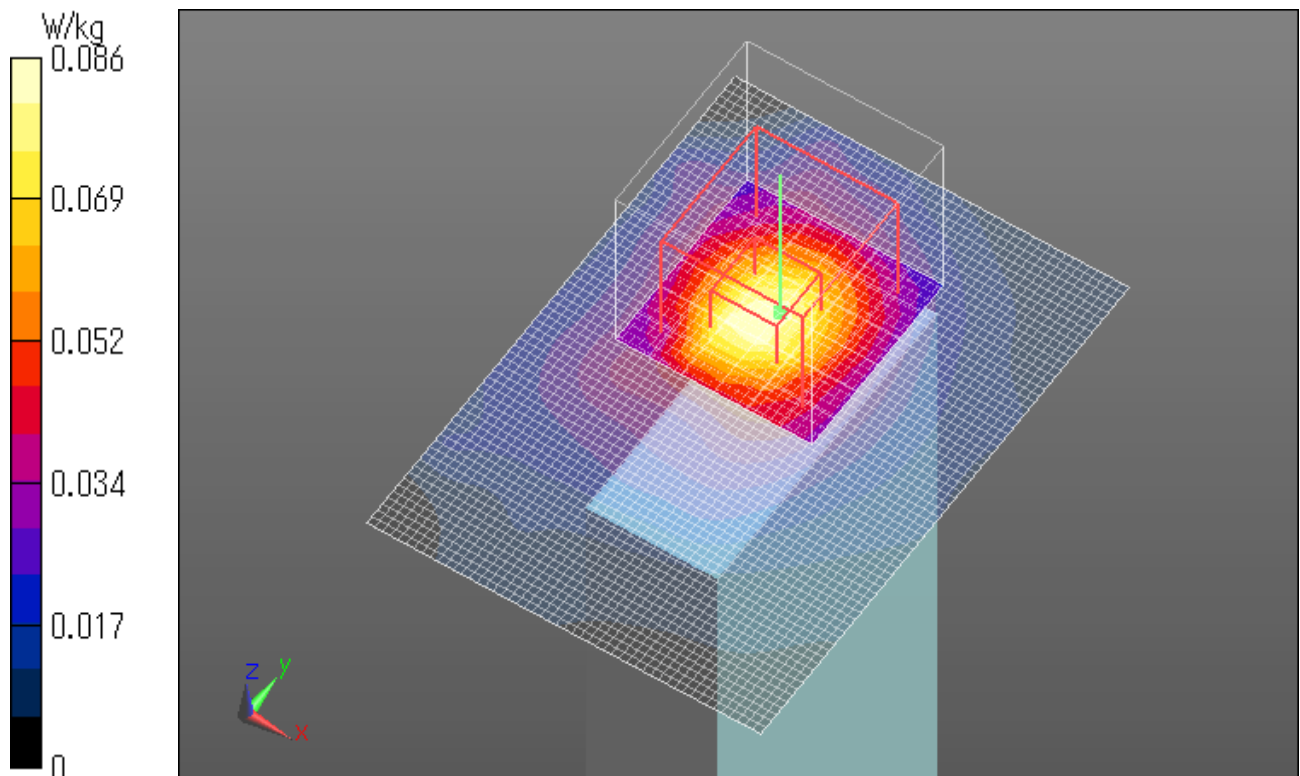
Peak SAR (extrapolated) = 0.118 W/kg

**SAR(1 g) = 0.057 W/kg; SAR(10 g) = 0.024 W/kg**

Maximum value of SAR (measured) = 0.0862 W/kg

Date: 2016/04/20

Ambient Temp. : 24.0 degree.C. Liquid Temp.; 23.5 degree.C.





**WLAN 11b 1Mbps 2412MHz Top tilt**

Communication System: UID 0, WLAN 11a/b/g/n (0)Communication System Band: 11b/g/n (2.4G); Frequency: 2412 MHz; Duty Cycle: 1:1

Medium parameters used (interpolated):  $f = 2412$  MHz;  $\sigma = 1.958$  S/m;  $\epsilon_r = 50.853$ ;  $\rho = 1000$  kg/m<sup>3</sup>

Phantom section: Flat Section

Measurement Standard: DASY5 (IEEE/IEC/ANSI C63.19-2011)

DASY5 Configuration

Probe: EX3DV4 - SN3825; ConvF(7.29, 7.29, 7.29); Calibrated: 2015/12/11;

Sensor-Surface: 2mm (Mechanical Surface Detection)

Electronics: DAE4 Sn509; Calibrated: 2015/07/07

Phantom: ELI v4.0 (20deg probe tilt); Type: QDOVA001BB; Serial: TP:1045

Measurement SW: DASY52, Version 52.8 (8); SEMCAD X Version 14.6.10 (7331)

**Area Scan 2 2 (71x121x1):** Interpolated grid: dx=1.200 mm, dy=1.200 mm

Maximum value of SAR (interpolated) = 0.125 W/kg

**Zoom Scan (7x7x7)/Cube 0:** Measurement grid: dx=5mm, dy=5mm, dz=5mm

Reference Value = 7.739 V/m; Power Drift = -0.17 dB

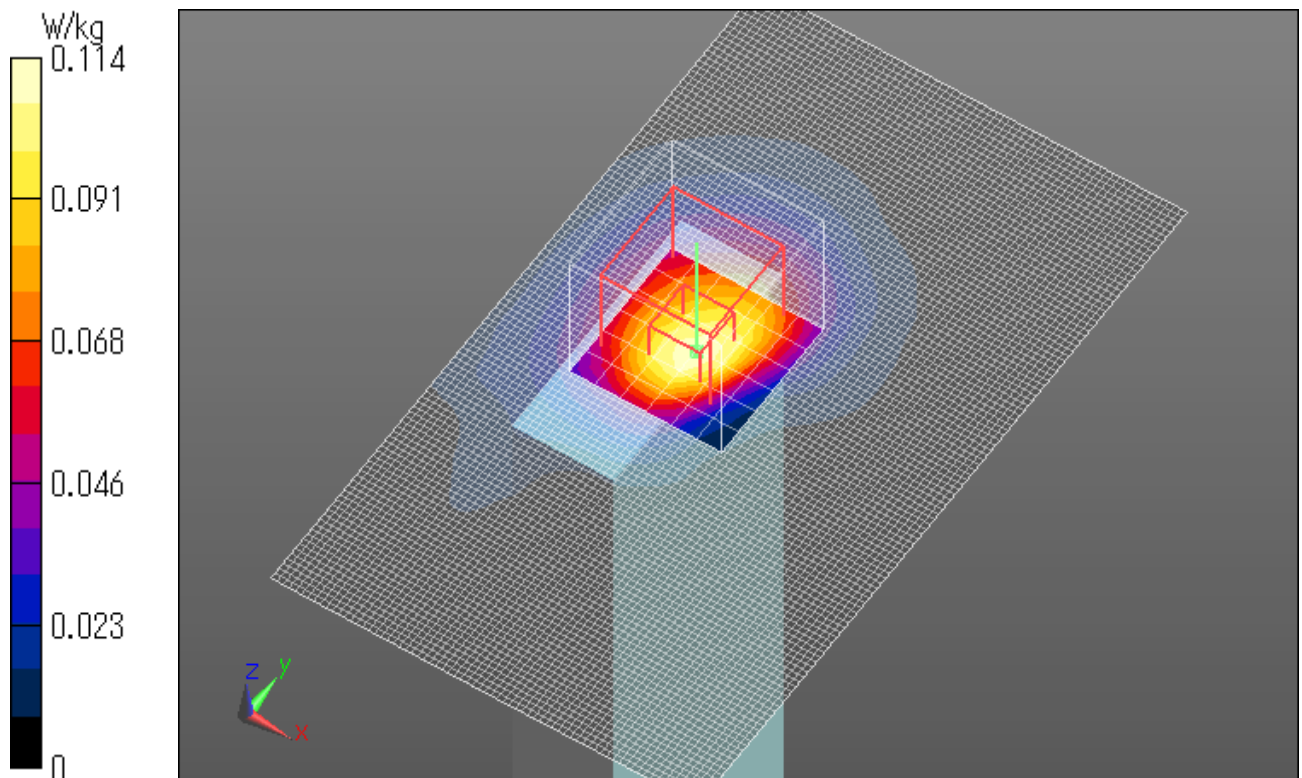
Peak SAR (extrapolated) = 0.178 W/kg

**SAR(1 g) = 0.075 W/kg; SAR(10 g) = 0.036 W/kg**

Maximum value of SAR (measured) = 0.114 W/kg

Date: 2016/04/20

Ambient Temp. : 24.0 degree.C. Liquid Temp.; 23.5 degree.C.



**WLAN 11b 1Mbps 2412MHz Right**

Communication System: UID 0, WLAN 11a/b/g/n (0)Communication System Band: 11b/g/n (2.4G); Frequency: 2412 MHz; Duty Cycle: 1:1

Medium parameters used (interpolated):  $f = 2412$  MHz;  $\sigma = 1.958$  S/m;  $\epsilon_r = 50.853$ ;  $\rho = 1000$  kg/m<sup>3</sup>

Phantom section: Flat Section

Measurement Standard: DASY5 (IEEE/IEC/ANSI C63.19-2011)

DASY5 Configuration

Probe: EX3DV4 - SN3825; ConvF(7.29, 7.29, 7.29); Calibrated: 2015/12/11;

Sensor-Surface: 2mm (Mechanical Surface Detection)

Electronics: DAE4 Sn509; Calibrated: 2015/07/07

Phantom: ELI v4.0 (20deg probe tilt); Type: QDOVA001BB; Serial: TP:1045

Measurement SW: DASY52, Version 52.8 (8); SEMCAD X Version 14.6.10 (7331)

**Area Scan 2 2 2 (71x101x1):** Interpolated grid: dx=1.200 mm, dy=1.200 mm

Maximum value of SAR (interpolated) = 0.125 W/kg

**Zoom Scan (7x7x7)/Cube 0:** Measurement grid: dx=5mm, dy=5mm, dz=5mm

Reference Value = 7.248 V/m; Power Drift = -0.03 dB

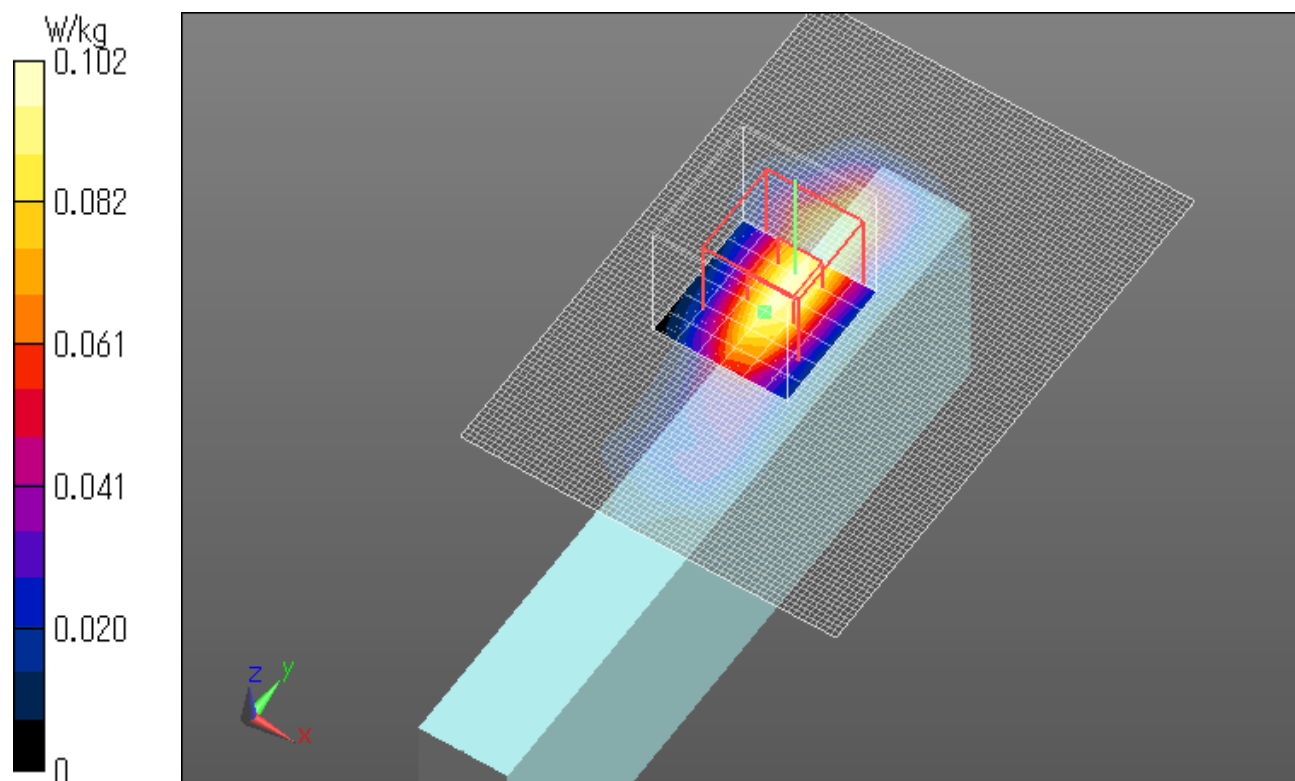
Peak SAR (extrapolated) = 0.264 W/kg

**SAR(1 g) = 0.067 W/kg; SAR(10 g) = 0.029 W/kg**

Maximum value of SAR (measured) = 0.102 W/kg

Date: 2016/04/20

Ambient Temp. : 24.0 degree.C. Liquid Temp.; 23.5 degree.C.



**WLAN 11b 1Mbps 2412MHz Left**

Communication System: UID 0, WLAN 11a/b/g/n (0)Communication System Band: 11b/g/n (2.4G); Frequency: 2412 MHz; Duty Cycle: 1:1

Medium parameters used (interpolated):  $f = 2412$  MHz;  $\sigma = 1.958$  S/m;  $\epsilon_r = 50.853$ ;  $\rho = 1000$  kg/m<sup>3</sup>

Phantom section: Flat Section

Measurement Standard: DASY5 (IEEE/IEC/ANSI C63.19-2011)

DASY5 Configuration

Probe: EX3DV4 - SN3825; ConvF(7.29, 7.29, 7.29); Calibrated: 2015/12/11;

Sensor-Surface: 2mm (Mechanical Surface Detection)

Electronics: DAE4 Sn509; Calibrated: 2015/07/07

Phantom: ELI v4.0 (20deg probe tilt); Type: QDOVA001BB; Serial: TP:1045

Measurement SW: DASY52, Version 52.8 (8); SEMCAD X Version 14.6.10 (7331)

**Area Scan 2 2 2 (101x121x1):** Interpolated grid: dx=1.200 mm, dy=1.200 mm

Maximum value of SAR (interpolated) = 0.113 W/kg

**Zoom Scan (7x7x7)/Cube 0:** Measurement grid: dx=5mm, dy=5mm, dz=5mm

Reference Value = 7.597 V/m; Power Drift = -0.08 dB

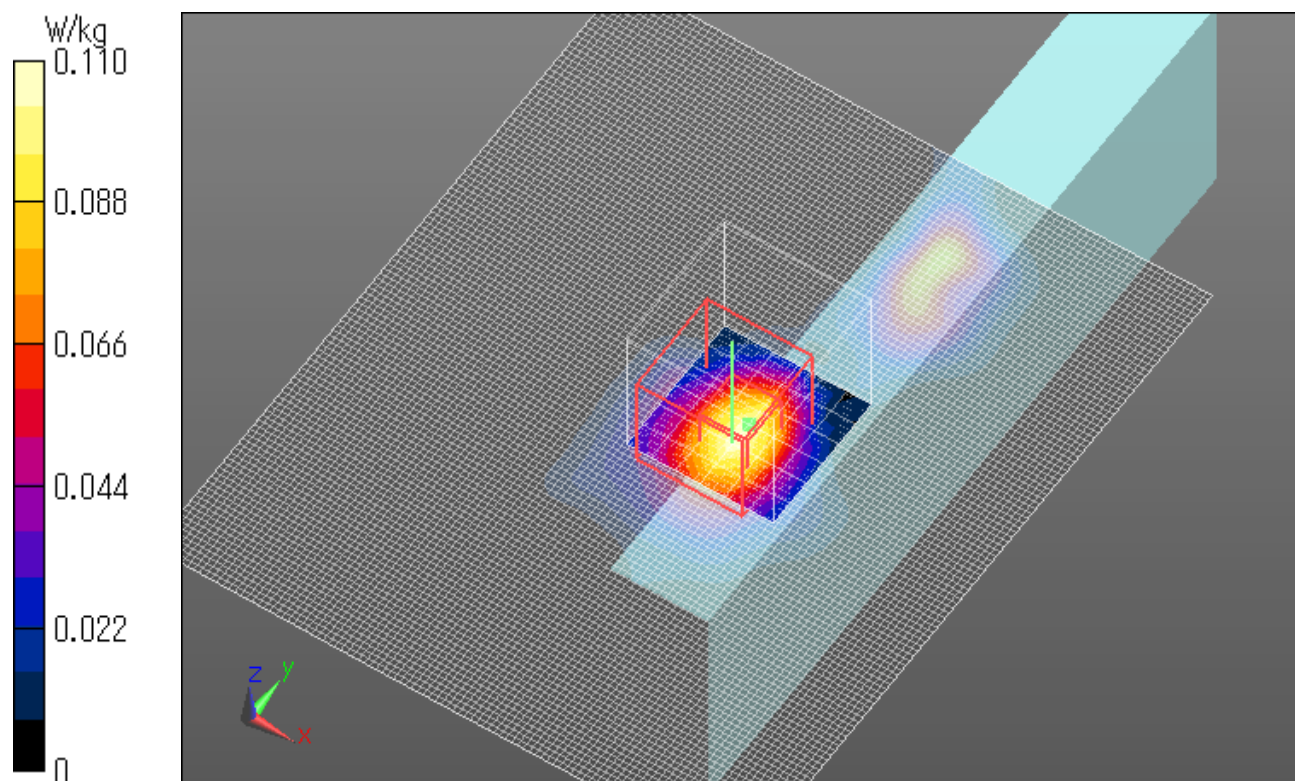
Peak SAR (extrapolated) = 0.146 W/kg

**SAR(1 g) = 0.073 W/kg; SAR(10 g) = 0.030 W/kg**

Maximum value of SAR (measured) = 0.110 W/kg

Date: 2016/04/20

Ambient Temp. : 24.0 degree.C. Liquid Temp.; 23.5 degree.C.



**WLAN 11b 1Mbps 2412MHz Front**

Communication System: UID 0, WLAN 11a/b/g/n (0)Communication System Band: 11b/g/n (2.4G); Frequency: 2412 MHz; Duty Cycle: 1:1

Medium parameters used (interpolated):  $f = 2412$  MHz;  $\sigma = 1.958$  S/m;  $\epsilon_r = 50.853$ ;  $\rho = 1000$  kg/m<sup>3</sup>

Phantom section: Flat Section

Measurement Standard: DASY5 (IEEE/IEC/ANSI C63.19-2011)

DASY5 Configuration

Probe: EX3DV4 - SN3825; ConvF(7.29, 7.29, 7.29); Calibrated: 2015/12/11;

Sensor-Surface: 2mm (Mechanical Surface Detection)

Electronics: DAE4 Sn509; Calibrated: 2015/07/07

Phantom: ELI v4.0 (20deg probe tilt); Type: QDOVA001BB; Serial: TP:1045

Measurement SW: DASY52, Version 52.8 (8); SEMCAD X Version 14.6.10 (7331)

**Area Scan 2 2 3 (71x101x1):** Interpolated grid: dx=1.200 mm, dy=1.200 mm

Maximum value of SAR (interpolated) = 0.111 W/kg

**Zoom Scan (7x7x7)/Cube 0:** Measurement grid: dx=5mm, dy=5mm, dz=5mm

Reference Value = 7.078 V/m; Power Drift = -0.09 dB

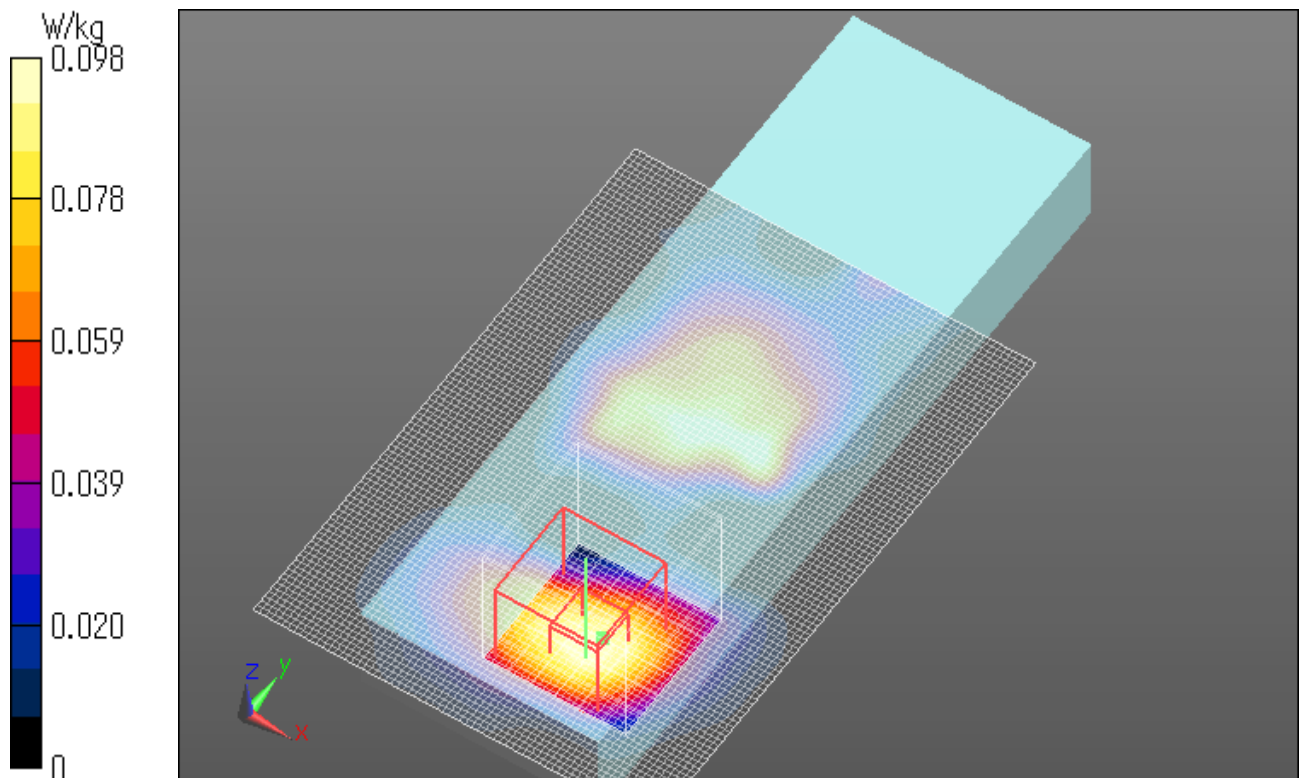
Peak SAR (extrapolated) = 0.131 W/kg

**SAR(1 g) = 0.068 W/kg; SAR(10 g) = 0.031 W/kg**

Maximum value of SAR (measured) = 0.0978 W/kg

Date: 2016/04/20

Ambient Temp. : 24.0 degree.C. Liquid Temp.; 23.5 degree.C.





**WLAN 11b 1Mbps 2412MHz Rear**

Communication System: UID 0, WLAN 11a/b/g/n (0)Communication System Band: 11b/g/n (2.4G); Frequency: 2412 MHz; Duty Cycle: 1:1

Medium parameters used (interpolated):  $f = 2412$  MHz;  $\sigma = 1.958$  S/m;  $\epsilon_r = 50.853$ ;  $\rho = 1000$  kg/m<sup>3</sup>

Phantom section: Flat Section

Measurement Standard: DASY5 (IEEE/IEC/ANSI C63.19-2011)

DASY5 Configuration

Probe: EX3DV4 - SN3825; ConvF(7.29, 7.29, 7.29); Calibrated: 2015/12/11;

Sensor-Surface: 2mm (Mechanical Surface Detection)

Electronics: DAE4 Sn509; Calibrated: 2015/07/07

Phantom: ELI v4.0 (20deg probe tilt); Type: QDOVA001BB; Serial: TP:1045

Measurement SW: DASY52, Version 52.8 (8); SEMCAD X Version 14.6.10 (7331)

**Area Scan 2 2 (121x151x1):** Interpolated grid: dx=1.200 mm, dy=1.200 mm

Maximum value of SAR (interpolated) = 0.0690 W/kg

**Zoom Scan (7x7x7)/Cube 0:** Measurement grid: dx=5mm, dy=5mm, dz=5mm

Reference Value = 4.139 V/m; Power Drift = -0.19 dB

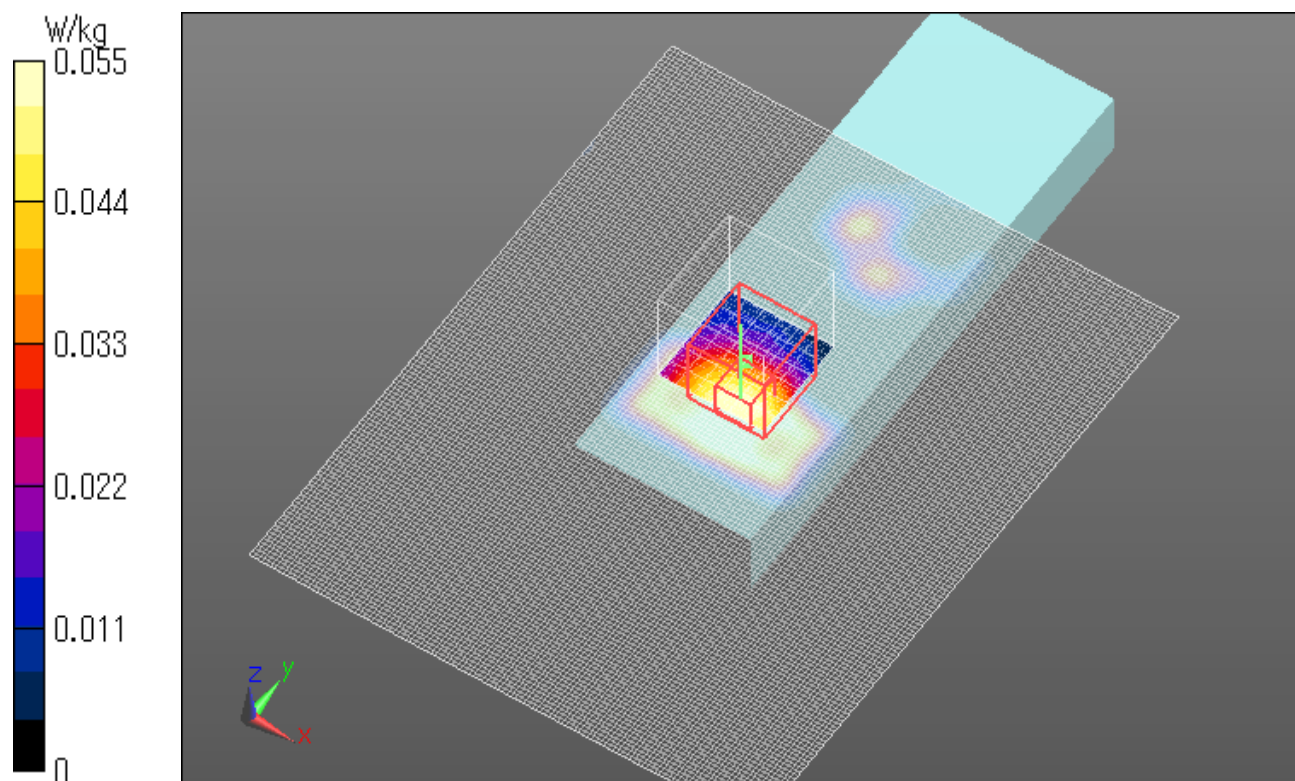
Peak SAR (extrapolated) = 0.198 W/kg

**SAR(1 g) = 0.038 W/kg; SAR(10 g) = 0.014 W/kg**

Maximum value of SAR (measured) = 0.0550 W/kg

Date: 2016/04/20

Ambient Temp. : 24.0 degree.C. Liquid Temp.; 23.5 degree.C.



**WLAN 11b 1Mbps 2412MHz Rear BT-W75GA**

Communication System: UID 0, WLAN 11a/b/g/n (0)Communication System Band: 11b/g/n (2.4G); Frequency: 2412 MHz; Duty Cycle: 1:1

Medium parameters used (interpolated):  $f = 2412$  MHz;  $\sigma = 1.958$  S/m;  $\epsilon_r = 50.853$ ;  $\rho = 1000$  kg/m<sup>3</sup>

Phantom section: Flat Section

Measurement Standard: DASY5 (IEEE/IEC/ANSI C63.19-2011)

DASY5 Configuration

Probe: EX3DV4 - SN3825; ConvF(7.29, 7.29, 7.29); Calibrated: 2015/12/11;

Sensor-Surface: 2mm (Mechanical Surface Detection)

Electronics: DAE4 Sn509; Calibrated: 2015/07/07

Phantom: ELI v4.0 (20deg probe tilt); Type: QDOVA001BB; Serial: TP:1045

Measurement SW: DASY52, Version 52.8 (8); SEMCAD X Version 14.6.10 (7331)

**Area Scan 2 2 3 (71x101x1):** Interpolated grid: dx=1.200 mm, dy=1.200 mm

Maximum value of SAR (interpolated) = 0.0439 W/kg

**Zoom Scan (7x7x7)/Cube 0:** Measurement grid: dx=5mm, dy=5mm, dz=5mm

Reference Value = 4.831 V/m; Power Drift = -0.11 dB

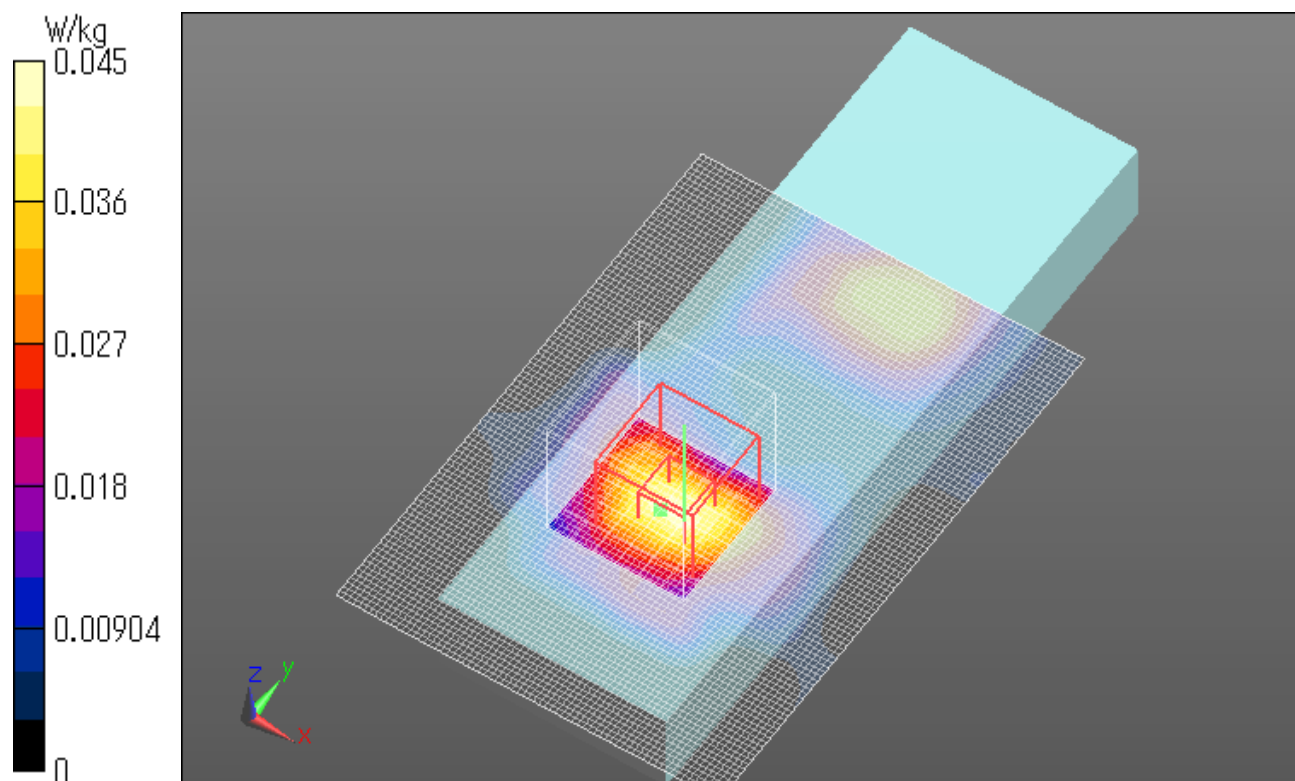
Peak SAR (extrapolated) = 0.0640 W/kg

**SAR(1 g) = 0.030 W/kg; SAR(10 g) = 0.014 W/kg**

Maximum value of SAR (measured) = 0.0452 W/kg

Date: 2016/04/20

Ambient Temp. : 24.0 degree.C. Liquid Temp.; 23.5 degree.C.



### Measurement data 5.3GHz

#### WLAN 11n40 MCS0 5310MHz Top

Communication System: UID 0, WLAN (0); Communication System Band: 11n40/ac40; Frequency: 5310 MHz; Duty Cycle: 1:1

Medium parameters used:  $f = 5310$  MHz;  $\sigma = 5.615$  S/m;  $\epsilon_r = 48.57$ ;  $\rho = 1000$  kg/m<sup>3</sup>

Phantom section: Flat Section

Measurement Standard: DASYS (IEEE/IEC/ANSI C63.19-2011)

DASY5 Configuration

Probe: EX3DV4 - SN3922; ConvF(4.46, 4.46, 4.46); Calibrated: 2015/06/17;

Sensor-Surface: 1.4mm (Mechanical Surface Detection)

Electronics: DAE4 Sn1372; Calibrated: 2015/06/15

Phantom: ELI v5.0 TP1207 (30deg probe tilt); Type: QDOVA002AA; Serial: TP:1207

Measurement SW: DASYS2, Version 52.8 (8); SEMCAD X Version 14.6.10 (7331)

**Area Scan (61x91x1):** Interpolated grid: dx=1.000 mm, dy=1.000 mm

Maximum value of SAR (interpolated) = 0.519 W/kg

**Zoom Scan (8x8x7)/Cube 0:** Measurement grid: dx=4mm, dy=4mm, dz=1.4mm

Reference Value = 9.020 V/m; Power Drift = -0.14 dB

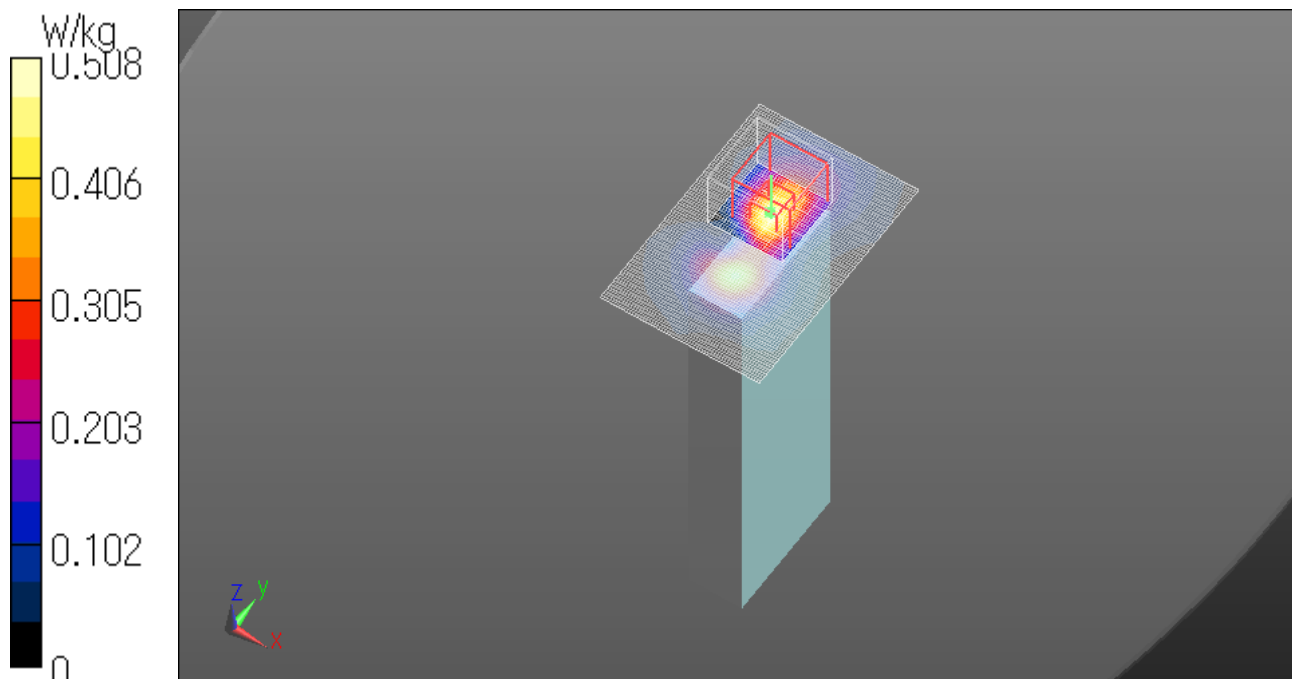
Peak SAR (extrapolated) = 0.846 W/kg

**SAR(1 g) = 0.196 W/kg; SAR(10 g) = 0.065 W/kg**

Maximum value of SAR (measured) = 0.508 W/kg

Date: 2016/05/17

Ambient Temp. : 24.0 degree.C. Liquid Temp.; 23.5 degree.C.



**WLAN 11n40 MCS0 5310MHz Top tilt**

Communication System: UID 0, WLAN (0); Communication System Band: 11n40/ac40; Frequency: 5310 MHz; Duty Cycle: 1:1

Medium parameters used:  $f = 5310$  MHz;  $\sigma = 5.615$  S/m;  $\epsilon_r = 48.57$ ;  $\rho = 1000$  kg/m<sup>3</sup>

Phantom section: Flat Section

Measurement Standard: DASY5 (IEEE/IEC/ANSI C63.19-2011)

DASY5 Configuration

Probe: EX3DV4 - SN3922; ConvF(4.46, 4.46, 4.46); Calibrated: 2015/06/17;

Sensor-Surface: 1.4mm (Mechanical Surface Detection)

Electronics: DAE4 Sn1372; Calibrated: 2015/06/15

Phantom: ELI v5.0 TP1207 (30deg probe tilt); Type: QDOVA002AA; Serial: TP:1207

Measurement SW: DASY52, Version 52.8 (8); SEMCAD X Version 14.6.10 (7331)

**Area Scan (61x91x1):** Interpolated grid: dx=1.000 mm, dy=1.000 mm

Maximum value of SAR (interpolated) = 0.450 W/kg

**Zoom Scan (8x8x7)/Cube 0:** Measurement grid: dx=4mm, dy=4mm, dz=1.4mm

Reference Value = 8.731 V/m; Power Drift = -0.12 dB

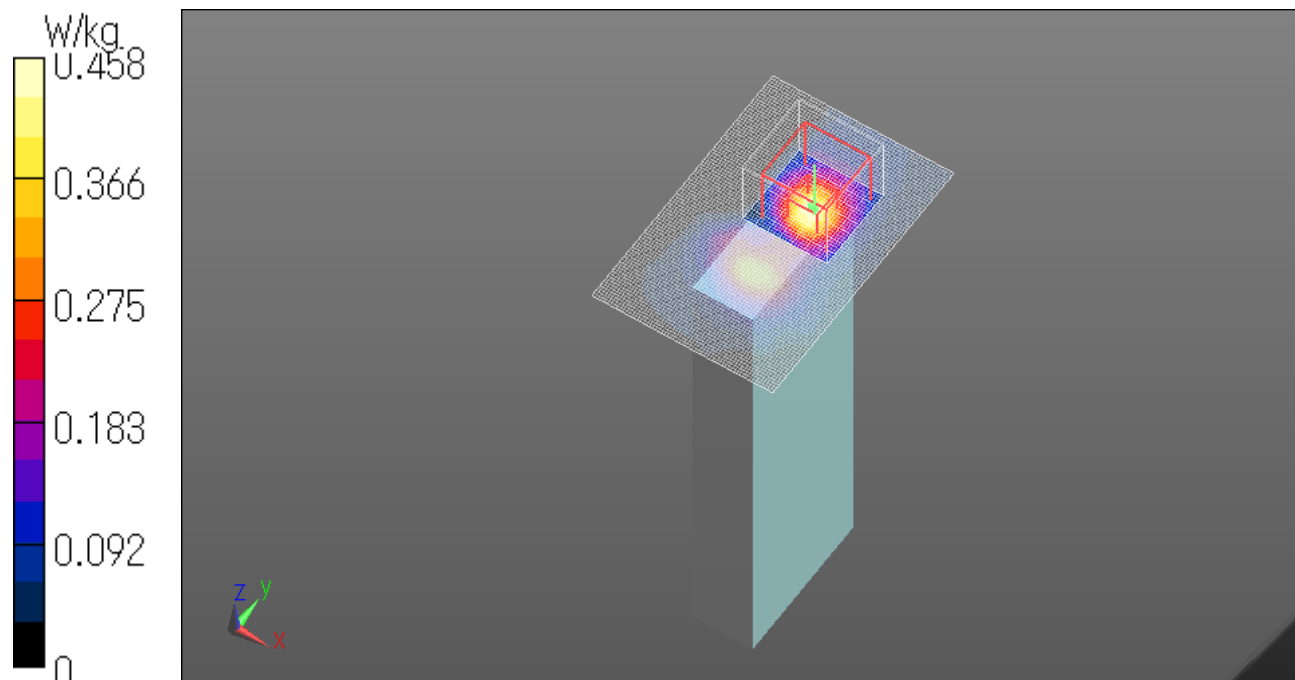
Peak SAR (extrapolated) = 0.752 W/kg

**SAR(1 g) = 0.180 W/kg; SAR(10 g) = 0.053 W/kg**

Maximum value of SAR (measured) = 0.458 W/kg

Date: 2016/05/17

Ambient Temp. : 24.0 degree.C. Liquid Temp.; 23.5 degree.C.





**WLAN 11n40 MCS0 5310MHz Right**

Communication System: UID 0, WLAN (0); Communication System Band: 11n40/ac40; Frequency: 5310 MHz; Duty Cycle: 1:1

Medium parameters used:  $f = 5310$  MHz;  $\sigma = 5.615$  S/m;  $\epsilon_r = 48.57$ ;  $\rho = 1000$  kg/m<sup>3</sup>

Phantom section: Flat Section

Measurement Standard: DASY5 (IEEE/IEC/ANSI C63.19-2011)

DASY5 Configuration

Probe: EX3DV4 - SN3922; ConvF(4.46, 4.46, 4.46); Calibrated: 2015/06/17;

Sensor-Surface: 1.4mm (Mechanical Surface Detection)

Electronics: DAE4 Sn1372; Calibrated: 2015/06/15

Phantom: ELI v5.0 TP1207 (30deg probe tilt); Type: QDOVA002AA; Serial: TP:1207

Measurement SW: DASY52, Version 52.8 (8); SEMCAD X Version 14.6.10 (7331)

**Area Scan (91x121x1):** Interpolated grid: dx=1.000 mm, dy=1.000 mm

Maximum value of SAR (interpolated) = 0.459 W/kg

**Zoom Scan (8x8x7)/Cube 0:** Measurement grid: dx=4mm, dy=4mm, dz=1.4mm

Reference Value = 8.515 V/m; Power Drift = -0.08 dB

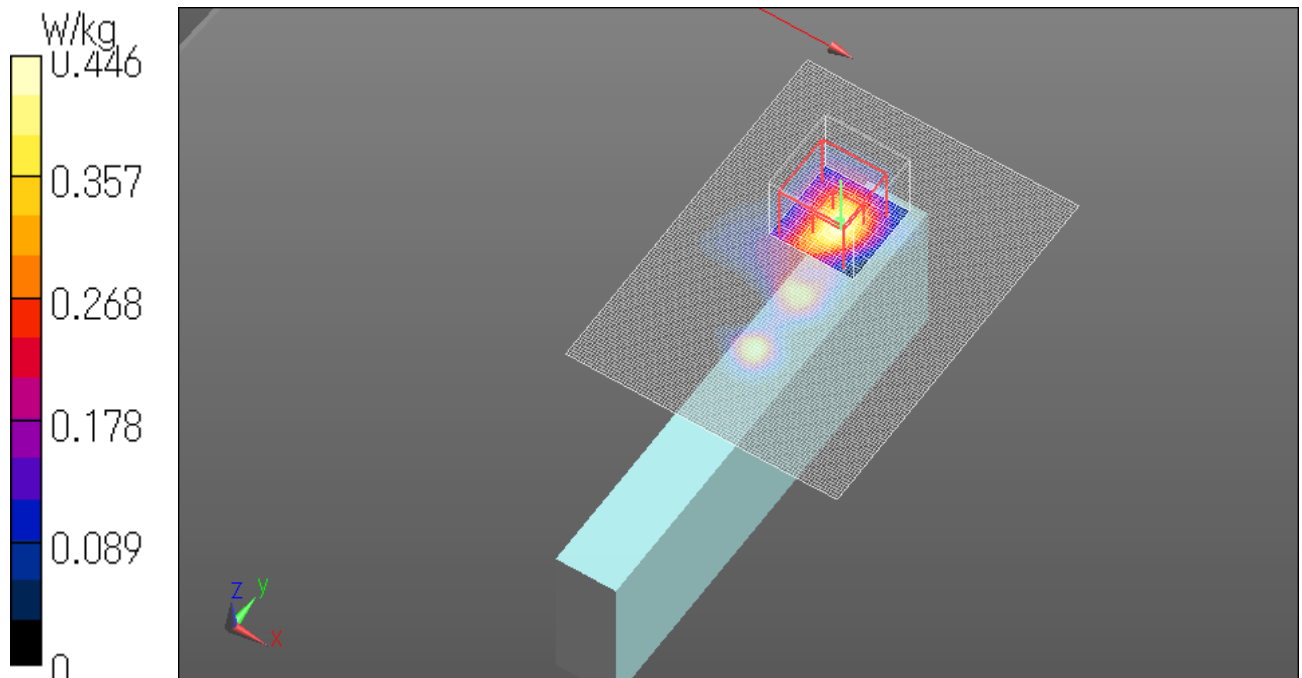
Peak SAR (extrapolated) = 0.752 W/kg

**SAR(1 g) = 0.167 W/kg; SAR(10 g) = 0.053 W/kg**

Maximum value of SAR (measured) = 0.446 W/kg

Date: 2016/05/17

Ambient Temp. : 24.0 degree.C. Liquid Temp.; 23.5 degree.C.



**WLAN 11n40 MCS0 5310MHz Left**

Communication System: UID 0, WLAN (0); Communication System Band: 11n40/ac40; Frequency: 5310 MHz; Duty Cycle: 1:1

Medium parameters used:  $f = 5310$  MHz;  $\sigma = 5.615$  S/m;  $\epsilon_r = 48.57$ ;  $\rho = 1000$  kg/m<sup>3</sup>

Phantom section: Flat Section

Measurement Standard: DASY5 (IEEE/IEC/ANSI C63.19-2011)

DASY5 Configuration

Probe: EX3DV4 - SN3922; ConvF(4.46, 4.46, 4.46); Calibrated: 2015/06/17;

Sensor-Surface: 1.4mm (Mechanical Surface Detection)

Electronics: DAE4 Sn1372; Calibrated: 2015/06/15

Phantom: ELI v5.0 TP1207 (30deg probe tilt); Type: QDOVA002AA; Serial: TP:1207

Measurement SW: DASY52, Version 52.8 (8); SEMCAD X Version 14.6.10 (7331)

**Area Scan (121x151x1):** Interpolated grid: dx=1.000 mm, dy=1.000 mm

Maximum value of SAR (interpolated) = 0.411 W/kg

**Zoom Scan (8x8x7)/Cube 0:** Measurement grid: dx=4mm, dy=4mm, dz=1.4mm

Reference Value = 4.829 V/m; Power Drift = 0.13 dB

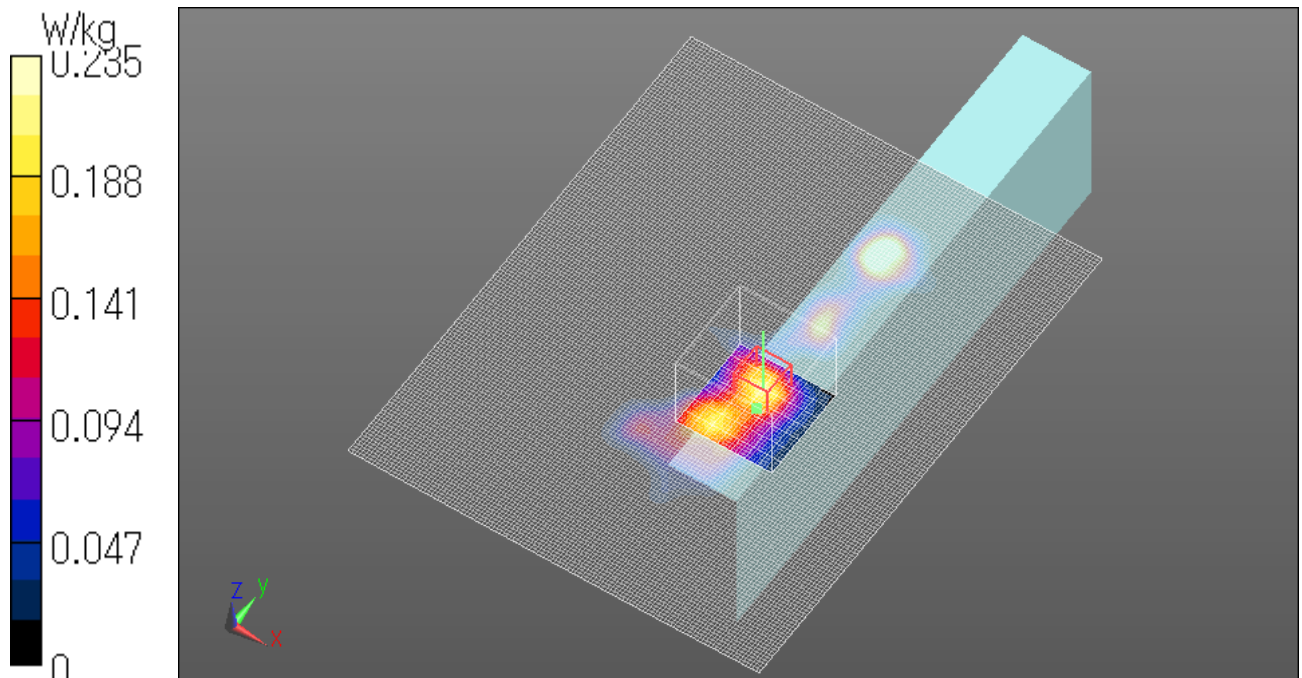
Peak SAR (extrapolated) = 0.359 W/kg

**SAR(1 g) = 0.074 W/kg**

Maximum value of SAR (measured) = 0.235 W/kg

Date: 2016/05/17

Ambient Temp. : 24.0 degree.C. Liquid Temp.; 23.5 degree.C.



**WLAN 11n40 MCS0 5310MHz Front**

Communication System: UID 0, WLAN (0); Communication System Band: 11n40/ac40; Frequency: 5310 MHz; Duty Cycle: 1:1

Medium parameters used:  $f = 5310$  MHz;  $\sigma = 5.615$  S/m;  $\epsilon_r = 48.57$ ;  $\rho = 1000$  kg/m<sup>3</sup>

Phantom section: Flat Section

Measurement Standard: DASY5 (IEEE/IEC/ANSI C63.19-2011)

DASY5 Configuration

Probe: EX3DV4 - SN3922; ConvF(4.46, 4.46, 4.46); Calibrated: 2015/06/17;

Sensor-Surface: 1.4mm (Mechanical Surface Detection)

Electronics: DAE4 Sn1372; Calibrated: 2015/06/15

Phantom: ELI v5.0 TP1207 (30deg probe tilt); Type: QDOVA002AA; Serial: TP:1207

Measurement SW: DASY52, Version 52.8 (8); SEMCAD X Version 14.6.10 (7331)

**Area Scan (91x121x1):** Interpolated grid: dx=1.000 mm, dy=1.000 mm

Maximum value of SAR (interpolated) = 0.336 W/kg

**Zoom Scan (8x8x7)/Cube 0:** Measurement grid: dx=4mm, dy=4mm, dz=1.4mm

Reference Value = 6.690 V/m; Power Drift = -0.02 dB

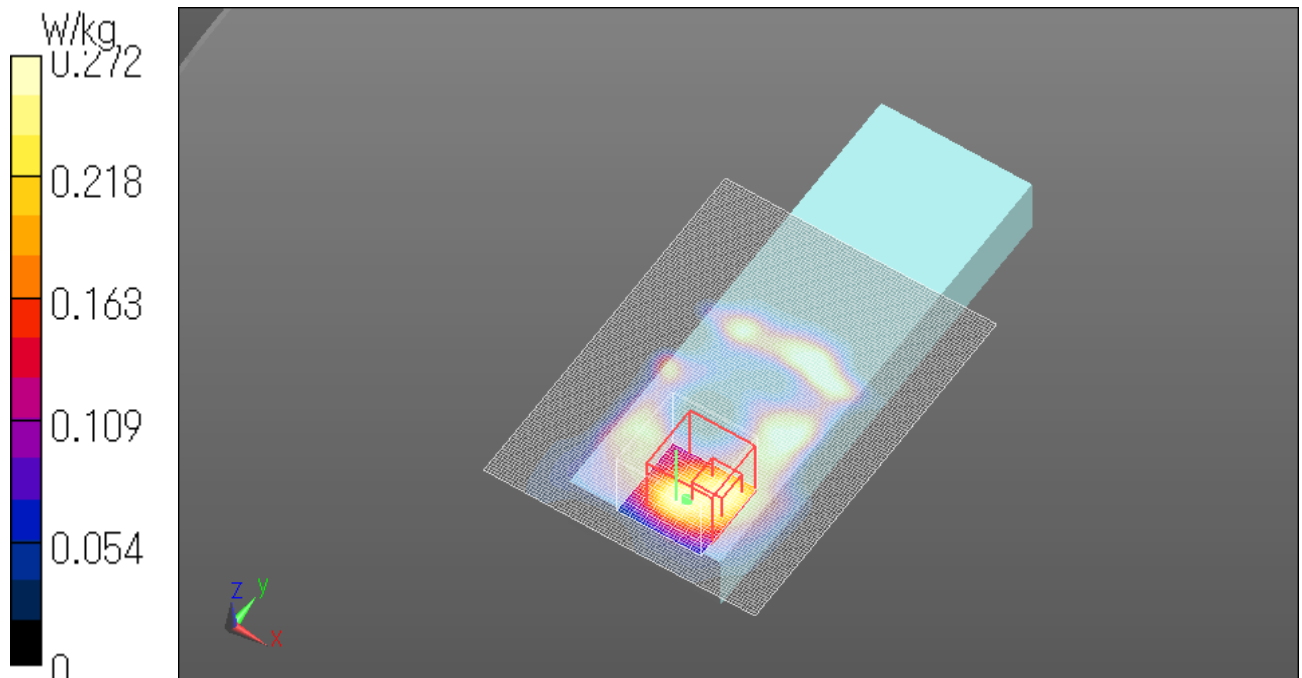
Peak SAR (extrapolated) = 0.441 W/kg

**SAR(1 g) = 0.099 W/kg; SAR(10 g) = 0.039 W/kg**

Maximum value of SAR (measured) = 0.272 W/kg

Date: 2016/05/17

Ambient Temp. : 24.0 degree.C. Liquid Temp.; 23.5 degree.C.



**WLAN 11n40 MCS0 5310MHz Rear**

Communication System: UID 0, WLAN (0); Communication System Band: 11n40/ac40; Frequency: 5310 MHz; Duty Cycle: 1:1

Medium parameters used:  $f = 5310$  MHz;  $\sigma = 5.615$  S/m;  $\epsilon_r = 48.57$ ;  $\rho = 1000$  kg/m<sup>3</sup>

Phantom section: Flat Section

Measurement Standard: DASY5 (IEEE/IEC/ANSI C63.19-2011)

DASY5 Configuration

Probe: EX3DV4 - SN3922; ConvF(4.46, 4.46, 4.46); Calibrated: 2015/06/17;

Sensor-Surface: 1.4mm (Mechanical Surface Detection)

Electronics: DAE4 Sn1372; Calibrated: 2015/06/15

Phantom: ELI v5.0 TP1207 (30deg probe tilt); Type: QDOVA002AA; Serial: TP:1207

Measurement SW: DASY52, Version 52.8 (8); SEMCAD X Version 14.6.10 (7331)

**Area Scan (101x151x1):** Interpolated grid: dx=1.000 mm, dy=1.000 mm

Maximum value of SAR (interpolated) = 0.206 W/kg

**Zoom Scan (8x8x7)/Cube 0:** Measurement grid: dx=4mm, dy=4mm, dz=1.4mm

Reference Value = 5.360 V/m; Power Drift = -0.17 dB

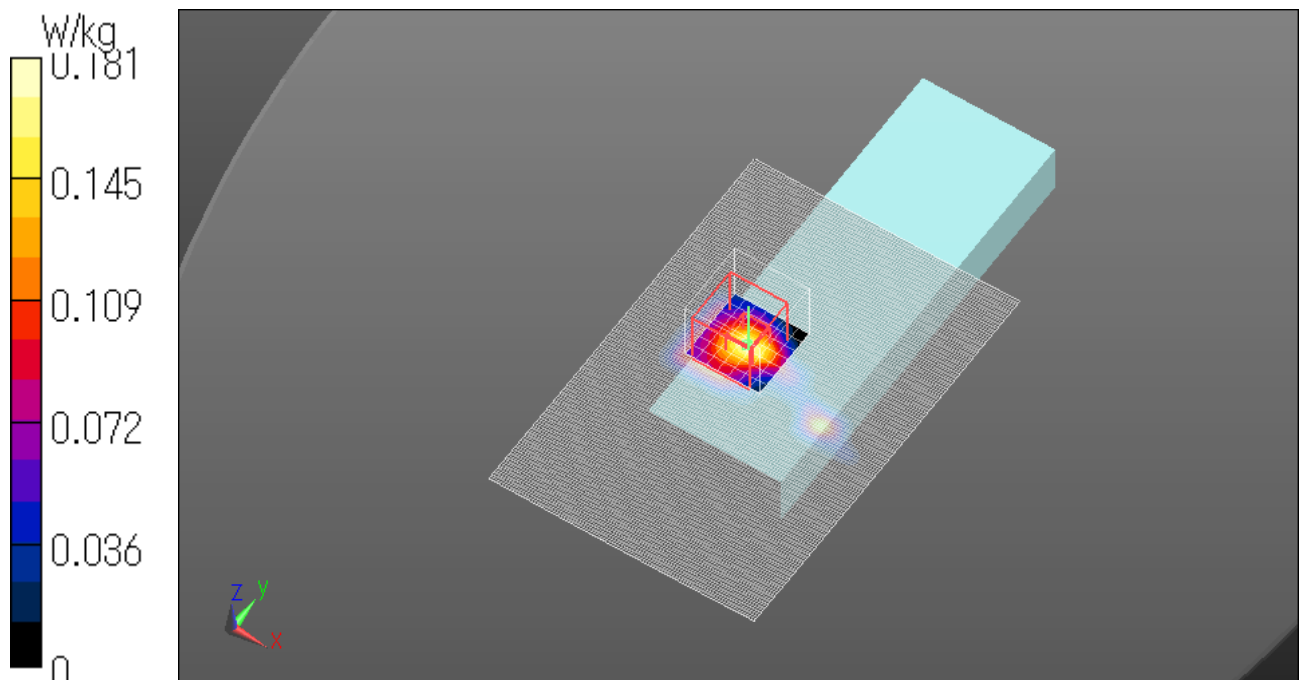
Peak SAR (extrapolated) = 0.279 W/kg

**SAR(1 g) = 0.060 W/kg; SAR(10 g) = 0.019 W/kg**

Maximum value of SAR (measured) = 0.181 W/kg

Date: 2016/05/17

Ambient Temp. : 24.0 degree.C. Liquid Temp.; 23.5 degree.C.



**WLAN 11n40 MCS0 5310MHz Rear BT-W75GA**

Communication System: UID 0, WLAN (0); Communication System Band: 11n40/ac40; Frequency: 5310 MHz; Duty Cycle: 1:1

Medium parameters used:  $f = 5310$  MHz;  $\sigma = 5.615$  S/m;  $\epsilon_r = 48.57$ ;  $\rho = 1000$  kg/m<sup>3</sup>

Phantom section: Flat Section

Measurement Standard: DASY5 (IEEE/IEC/ANSI C63.19-2011)

DASY5 Configuration

Probe: EX3DV4 - SN3922; ConvF(4.46, 4.46, 4.46); Calibrated: 2015/06/17;

Sensor-Surface: 1.4mm (Mechanical Surface Detection)

Electronics: DAE4 Sn1372; Calibrated: 2015/06/15

Phantom: ELI v5.0 TP1207 (30deg probe tilt); Type: QDOVA002AA; Serial: TP:1207

Measurement SW: DASY52, Version 52.8 (8); SEMCAD X Version 14.6.10 (7331)

**Area Scan (101x151x1):** Interpolated grid: dx=1.000 mm, dy=1.000 mm

Maximum value of SAR (interpolated) = 0.212 W/kg

**Zoom Scan (8x8x7)/Cube 0:** Measurement grid: dx=4mm, dy=4mm, dz=1.4mm

Reference Value = 5.719 V/m; Power Drift = -0.14 dB

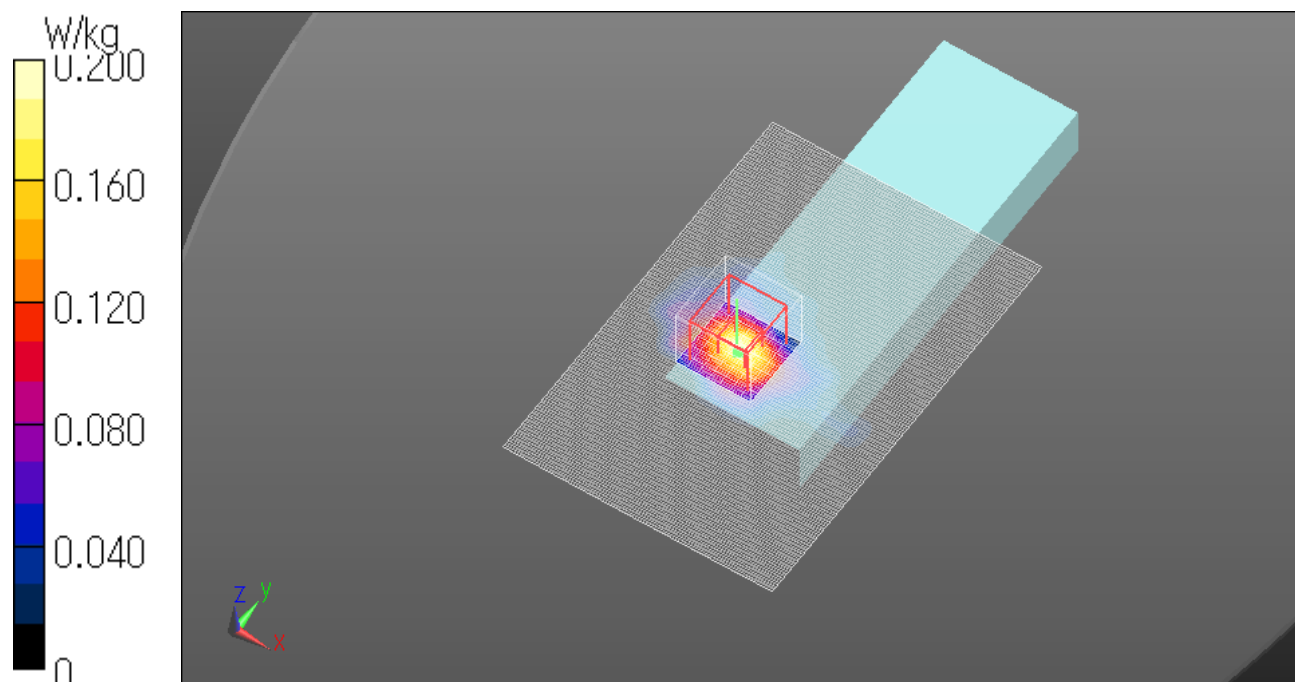
Peak SAR (extrapolated) = 0.324 W/kg

**SAR(1 g) = 0.071 W/kg; SAR(10 g) = 0.025 W/kg**

Maximum value of SAR (measured) = 0.200 W/kg

Date: 2016/05/17

Ambient Temp. : 24.0 degree.C. Liquid Temp.; 23.5 degree.C.



**Measurement data 5.6GHz**

**WLAN 11n40 MCS0 5670MHz Top**

Communication System: UID 0, WLAN (0); Communication System Band: 11n40/ac40; Frequency: 5670 MHz; Duty Cycle: 1:1

Medium parameters used:  $f = 5670$  MHz;  $\sigma = 5.956$  S/m;  $\epsilon_r = 46.918$ ;  $\rho = 1000$  kg/m<sup>3</sup>

Phantom section: Flat Section

Measurement Standard: DASYS (IEEE/IEC/ANSI C63.19-2011)

DASY5 Configuration

Probe: EX3DV4 - SN3922; ConvF(3.87, 3.87, 3.87); Calibrated: 2015/06/17;

Sensor-Surface: 1.4mm (Mechanical Surface Detection)

Electronics: DAE4 Sn1372; Calibrated: 2015/06/15

Phantom: ELI v5.0 TP1207 (30deg probe tilt); Type: QDOVA002AA; Serial: TP:1207

Measurement SW: DASYS2, Version 52.8 (8); SEMCAD X Version 14.6.10 (7331)

**Area Scan (61x91x1):** Interpolated grid: dx=1.000 mm, dy=1.000 mm

Maximum value of SAR (interpolated) = 0.583 W/kg

**Zoom Scan (8x8x7)/Cube 0:** Measurement grid: dx=4mm, dy=4mm, dz=1.4mm

Reference Value = 9.831 V/m; Power Drift = -0.14 dB

Peak SAR (extrapolated) = 0.926 W/kg

**SAR(1 g) = 0.211 W/kg; SAR(10 g) = 0.063 W/kg**

Maximum value of SAR (measured) = 0.558 W/kg

**Zoom Scan 2 (8x8x7)/Cube 0:** Measurement grid: dx=4mm, dy=4mm, dz=1.4mm

Reference Value = 9.831 V/m; Power Drift = -0.14 dB

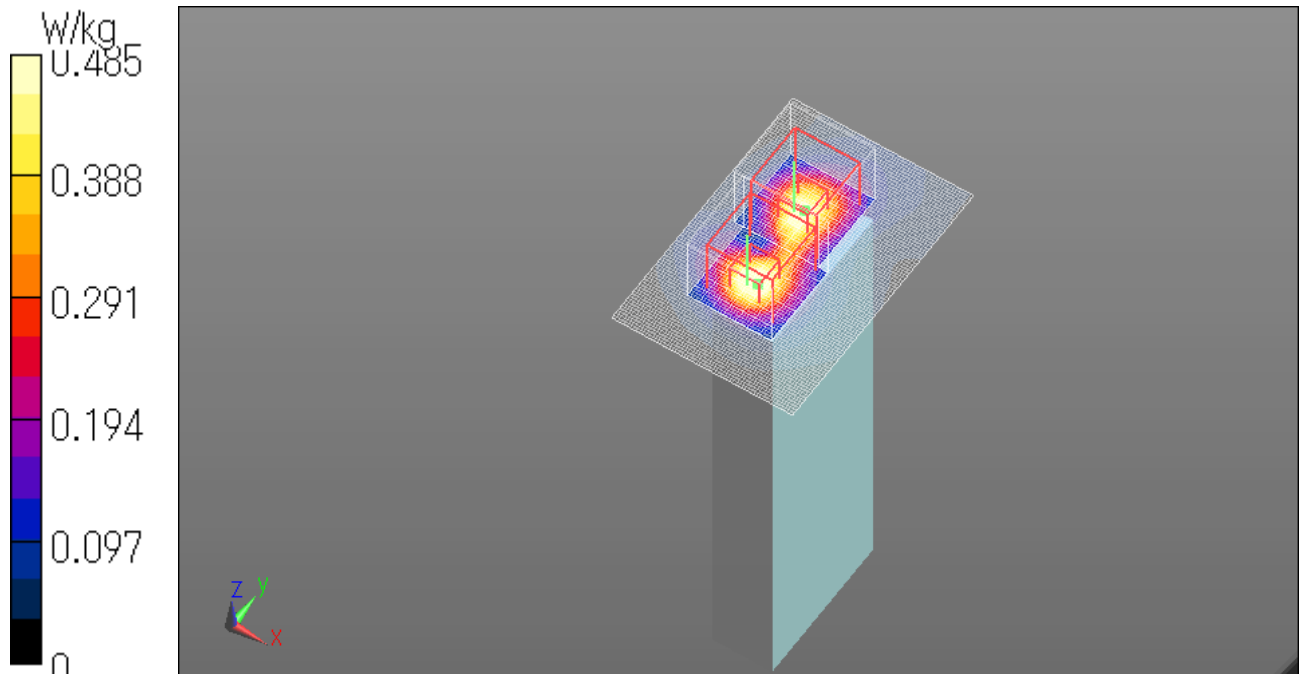
Peak SAR (extrapolated) = 0.810 W/kg

**SAR(1 g) = 0.194 W/kg; SAR(10 g) = 0.064 W/kg**

Maximum value of SAR (measured) = 0.485 W/kg

Date: 2016/05/17

Ambient Temp. : 24.0 degree.C. Liquid Temp.; 23.5 degree.C.





**WLAN 11n40 MCS0 5670MHz Top tilt**

Communication System: UID 0, WLAN (0); Communication System Band: 11n40/ac40; Frequency: 5670 MHz; Duty Cycle: 1:1

Medium parameters used:  $f = 5670$  MHz;  $\sigma = 5.956$  S/m;  $\epsilon_r = 46.918$ ;  $\rho = 1000$  kg/m<sup>3</sup>

Phantom section: Flat Section

Measurement Standard: DASY5 (IEEE/IEC/ANSI C63.19-2011)

DASY5 Configuration

Probe: EX3DV4 - SN3922; ConvF(3.87, 3.87, 3.87); Calibrated: 2015/06/17;

Sensor-Surface: 1.4mm (Mechanical Surface Detection)

Electronics: DAE4 Sn1372; Calibrated: 2015/06/15

Phantom: ELI v5.0 TP1207 (30deg probe tilt); Type: QDOVA002AA; Serial: TP:1207

Measurement SW: DASY52, Version 52.8 (8); SEMCAD X Version 14.6.10 (7331)

**Area Scan (61x91x1):** Interpolated grid: dx=1.000 mm, dy=1.000 mm

Maximum value of SAR (interpolated) = 0.470 W/kg

**Zoom Scan (8x8x7)/Cube 0:** Measurement grid: dx=4mm, dy=4mm, dz=1.4mm

Reference Value = 8.723 V/m; Power Drift = 0.09 dB

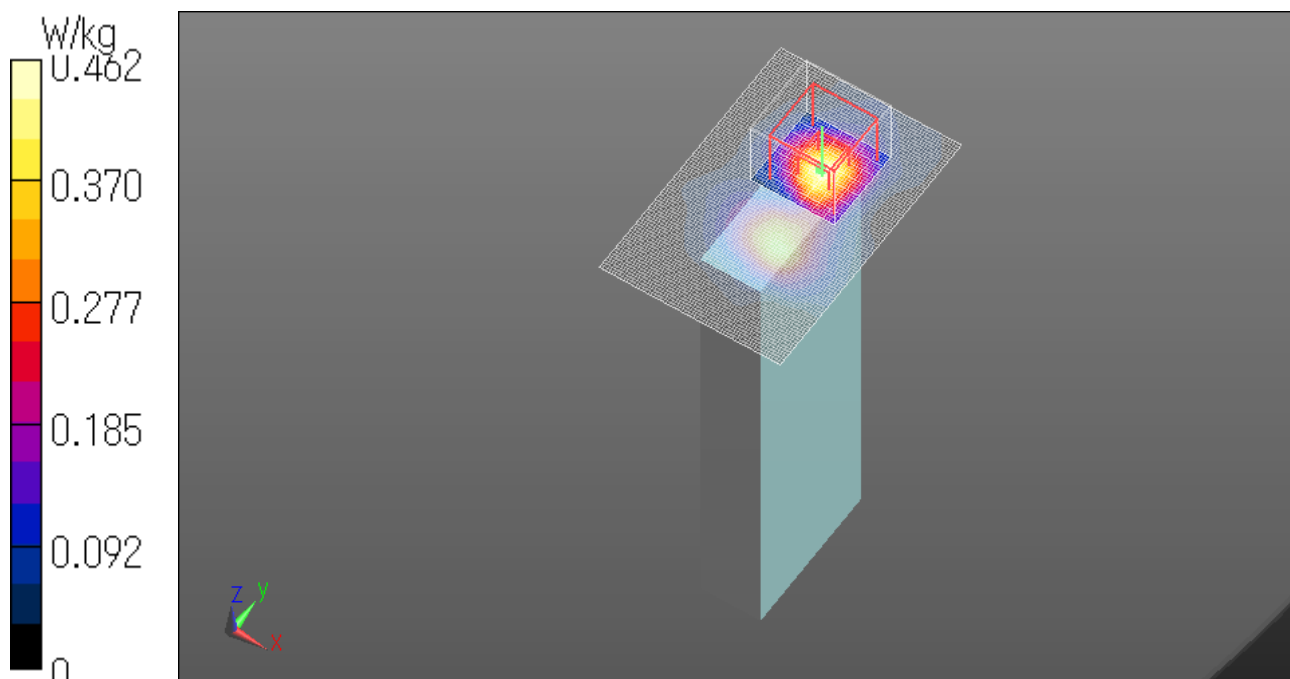
Peak SAR (extrapolated) = 0.757 W/kg

**SAR(1 g) = 0.177 W/kg; SAR(10 g) = 0.055 W/kg**

Maximum value of SAR (measured) = 0.462 W/kg

Date: 2016/05/17

Ambient Temp. : 24.0 degree.C. Liquid Temp.; 23.5 degree.C.



**WLAN 11n40 MCS0 5670MHz Right**

Communication System: UID 0, WLAN (0); Communication System Band: 11n40/ac40; Frequency: 5670 MHz; Duty Cycle: 1:1

Medium parameters used:  $f = 5670$  MHz;  $\sigma = 5.956$  S/m;  $\epsilon_r = 46.918$ ;  $\rho = 1000$  kg/m<sup>3</sup>

Phantom section: Flat Section

Measurement Standard: DASY5 (IEEE/IEC/ANSI C63.19-2011)

DASY5 Configuration

Probe: EX3DV4 - SN3922; ConvF(3.87, 3.87, 3.87); Calibrated: 2015/06/17;

Sensor-Surface: 1.4mm (Mechanical Surface Detection)

Electronics: DAE4 Sn1372; Calibrated: 2015/06/15

Phantom: ELI v5.0 TP1207 (30deg probe tilt); Type: QDOVA002AA; Serial: TP:1207

Measurement SW: DASY52, Version 52.8 (8); SEMCAD X Version 14.6.10 (7331)

**Area Scan (91x121x1):** Interpolated grid: dx=1.000 mm, dy=1.000 mm

Maximum value of SAR (interpolated) = 0.380 W/kg

**Zoom Scan (8x8x7)/Cube 0:** Measurement grid: dx=4mm, dy=4mm, dz=1.4mm

Reference Value = 7.596 V/m; Power Drift = -0.01 dB

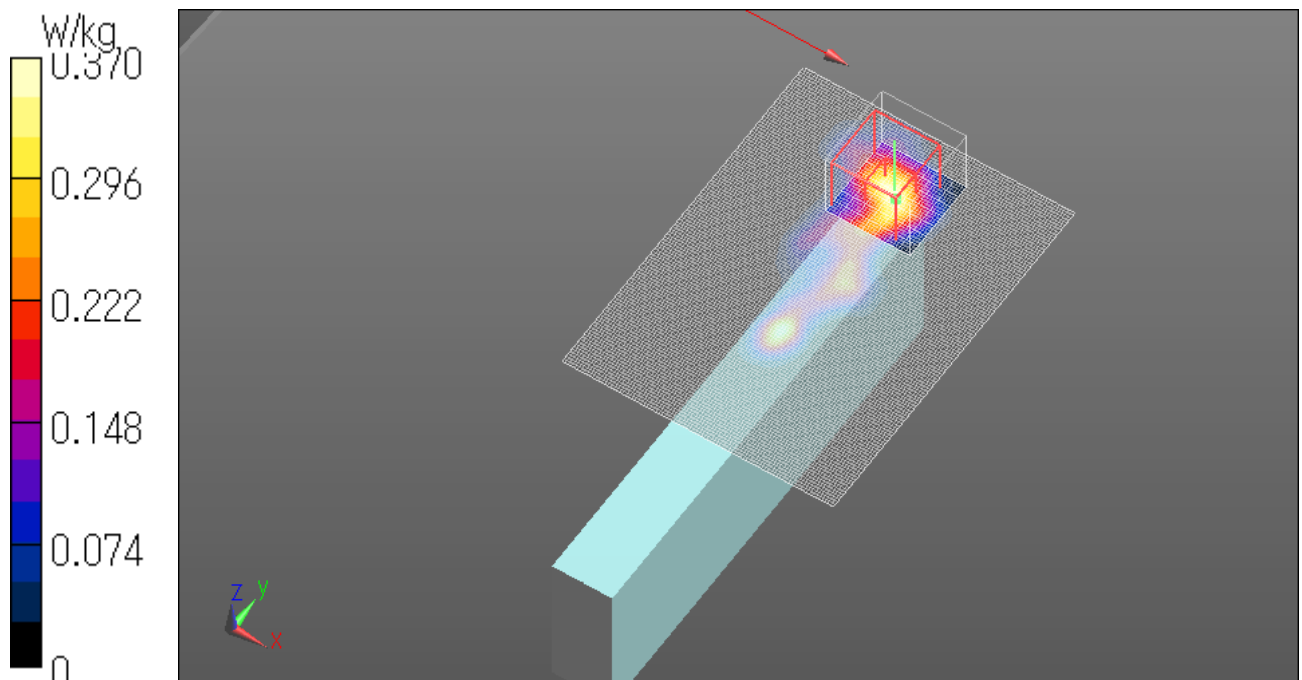
Peak SAR (extrapolated) = 0.626 W/kg

**SAR(1 g) = 0.135 W/kg; SAR(10 g) = 0.044 W/kg**

Maximum value of SAR (measured) = 0.370 W/kg

Date: 2016/05/17

Ambient Temp. : 24.0 degree.C. Liquid Temp.; 23.5 degree.C.





**WLAN 11n40 MCS0 5670MHz Left**

Communication System: UID 0, WLAN (0); Communication System Band: 11n40/ac40; Frequency: 5670 MHz; Duty Cycle: 1:1

Medium parameters used:  $f = 5670$  MHz;  $\sigma = 5.956$  S/m;  $\epsilon_r = 46.918$ ;  $\rho = 1000$  kg/m<sup>3</sup>

Phantom section: Flat Section

Measurement Standard: DASY5 (IEEE/IEC/ANSI C63.19-2011)

DASY5 Configuration

Probe: EX3DV4 - SN3922; ConvF(3.87, 3.87, 3.87); Calibrated: 2015/06/17;

Sensor-Surface: 1.4mm (Mechanical Surface Detection)

Electronics: DAE4 Sn1372; Calibrated: 2015/06/15

Phantom: ELI v5.0 TP1207 (30deg probe tilt); Type: QDOVA002AA; Serial: TP:1207

Measurement SW: DASY52, Version 52.8 (8); SEMCAD X Version 14.6.10 (7331)

**Area Scan (121x151x1):** Interpolated grid: dx=1.000 mm, dy=1.000 mm

Maximum value of SAR (interpolated) = 0.267 W/kg

**Zoom Scan (8x8x7)/Cube 0:** Measurement grid: dx=4mm, dy=4mm, dz=1.4mm

Reference Value = 6.381 V/m; Power Drift = -0.18 dB

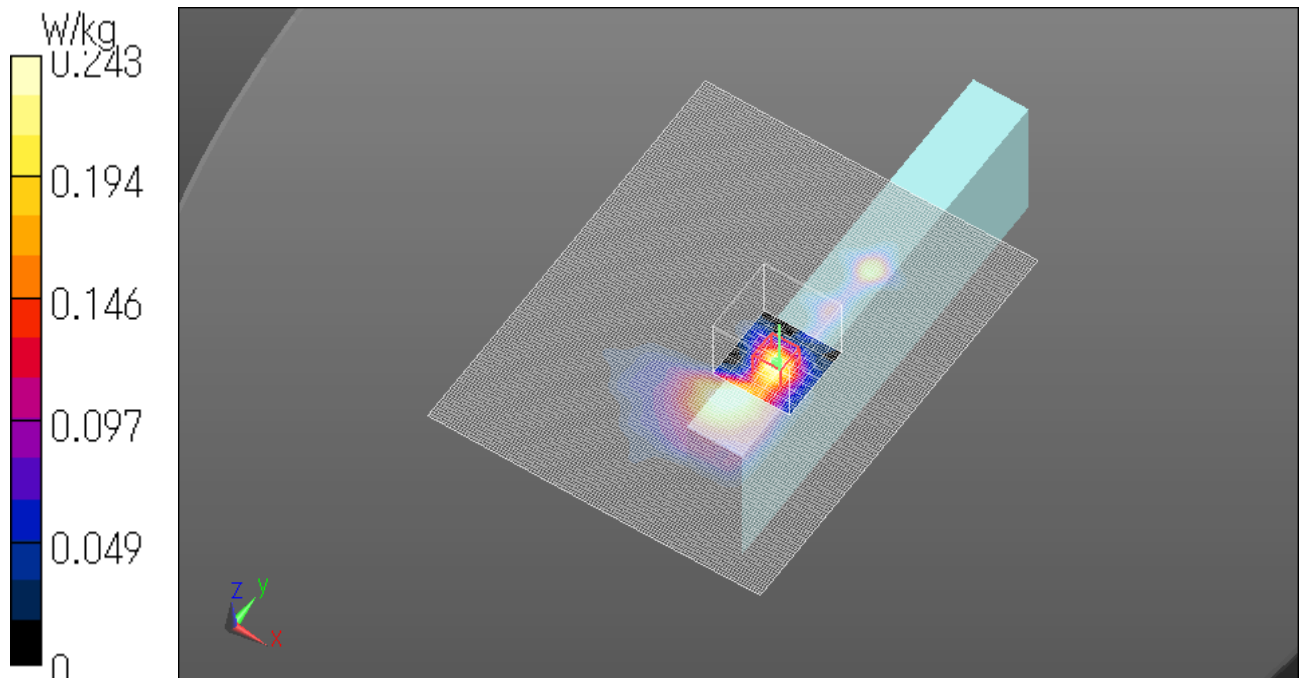
Peak SAR (extrapolated) = 0.410 W/kg

**SAR(1 g) = 0.077 W/kg**

Maximum value of SAR (measured) = 0.243 W/kg

Date: 2016/05/17

Ambient Temp. : 24.0 degree.C. Liquid Temp.; 23.5 degree.C.



**WLAN 11n40 MCS0 5670MHz Front**

Communication System: UID 0, WLAN (0); Communication System Band: 11n40/ac40; Frequency: 5670 MHz; Duty Cycle: 1:1

Medium parameters used:  $f = 5670$  MHz;  $\sigma = 5.956$  S/m;  $\epsilon_r = 46.918$ ;  $\rho = 1000$  kg/m<sup>3</sup>

Phantom section: Flat Section

Measurement Standard: DASY5 (IEEE/IEC/ANSI C63.19-2011)

DASY5 Configuration

Probe: EX3DV4 - SN3922; ConvF(3.87, 3.87, 3.87); Calibrated: 2015/06/17;

Sensor-Surface: 1.4mm (Mechanical Surface Detection)

Electronics: DAE4 Sn1372; Calibrated: 2015/06/15

Phantom: ELI v5.0 TP1207 (30deg probe tilt); Type: QDOVA002AA; Serial: TP:1207

Measurement SW: DASY52, Version 52.8 (8); SEMCAD X Version 14.6.10 (7331)

**Area Scan (91x121x1):** Interpolated grid: dx=1.000 mm, dy=1.000 mm

Maximum value of SAR (interpolated) = 0.478 W/kg

**Zoom Scan (8x8x7)/Cube 0:** Measurement grid: dx=4mm, dy=4mm, dz=1.4mm

Reference Value = 5.990 V/m; Power Drift = -0.10 dB

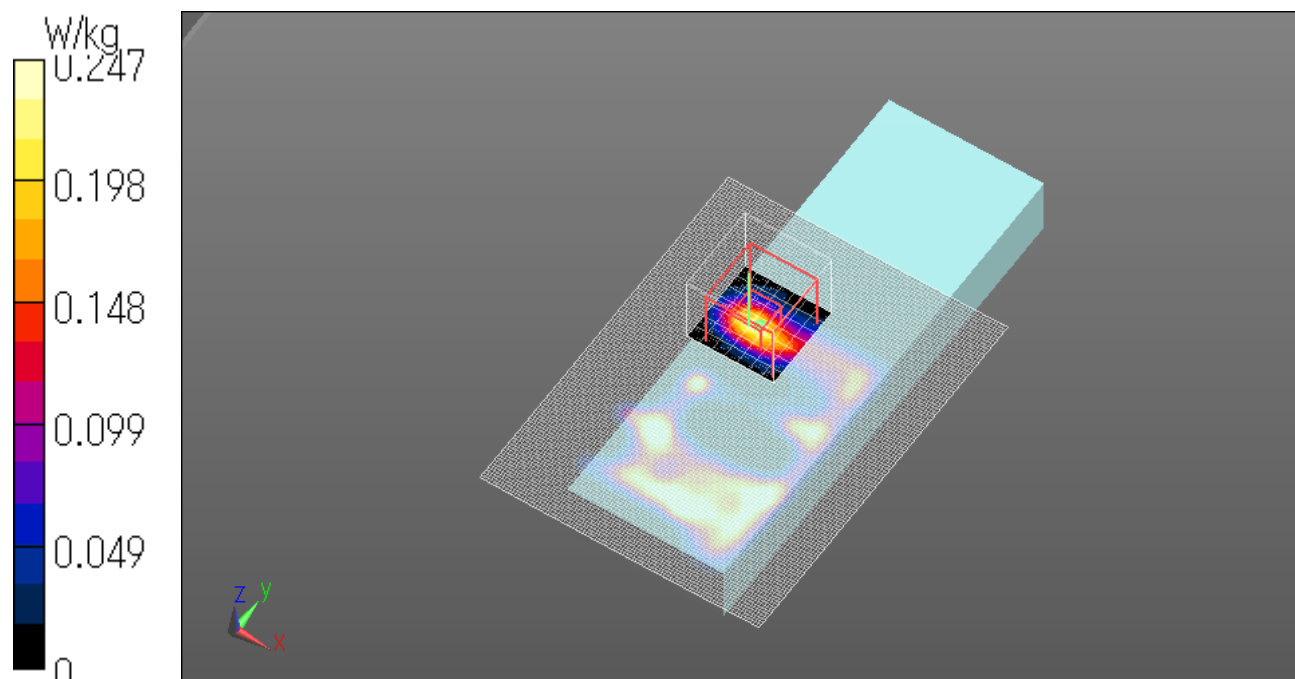
Peak SAR (extrapolated) = 0.504 W/kg

**SAR(1 g) = 0.079 W/kg; SAR(10 g) = 0.019 W/kg**

Maximum value of SAR (measured) = 0.247 W/kg

Date: 2016/05/17

Ambient Temp. : 24.0 degree.C. Liquid Temp.; 23.5 degree.C.



**WLAN 11n40 MCS0 5670MHz Rear**

Communication System: UID 0, WLAN (0); Communication System Band: 11n40/ac40; Frequency: 5670 MHz; Duty Cycle: 1:1

Medium parameters used:  $f = 5670$  MHz;  $\sigma = 5.956$  S/m;  $\epsilon_r = 46.918$ ;  $\rho = 1000$  kg/m<sup>3</sup>

Phantom section: Flat Section

Measurement Standard: DASY5 (IEEE/IEC/ANSI C63.19-2011)

DASY5 Configuration

Probe: EX3DV4 - SN3922; ConvF(3.87, 3.87, 3.87); Calibrated: 2015/06/17;

Sensor-Surface: 1.4mm (Mechanical Surface Detection)

Electronics: DAE4 Sn1372; Calibrated: 2015/06/15

Phantom: ELI v5.0 TP1207 (30deg probe tilt); Type: QDOVA002AA; Serial: TP:1207

Measurement SW: DASY52, Version 52.8 (8); SEMCAD X Version 14.6.10 (7331)

**Area Scan (151x181x1):** Interpolated grid: dx=1.000 mm, dy=1.000 mm

Maximum value of SAR (interpolated) = 0.0992 W/kg

**Zoom Scan (8x8x7)/Cube 0:** Measurement grid: dx=4mm, dy=4mm, dz=1.4mm

Reference Value = 2.805 V/m; Power Drift = 0.07 dB

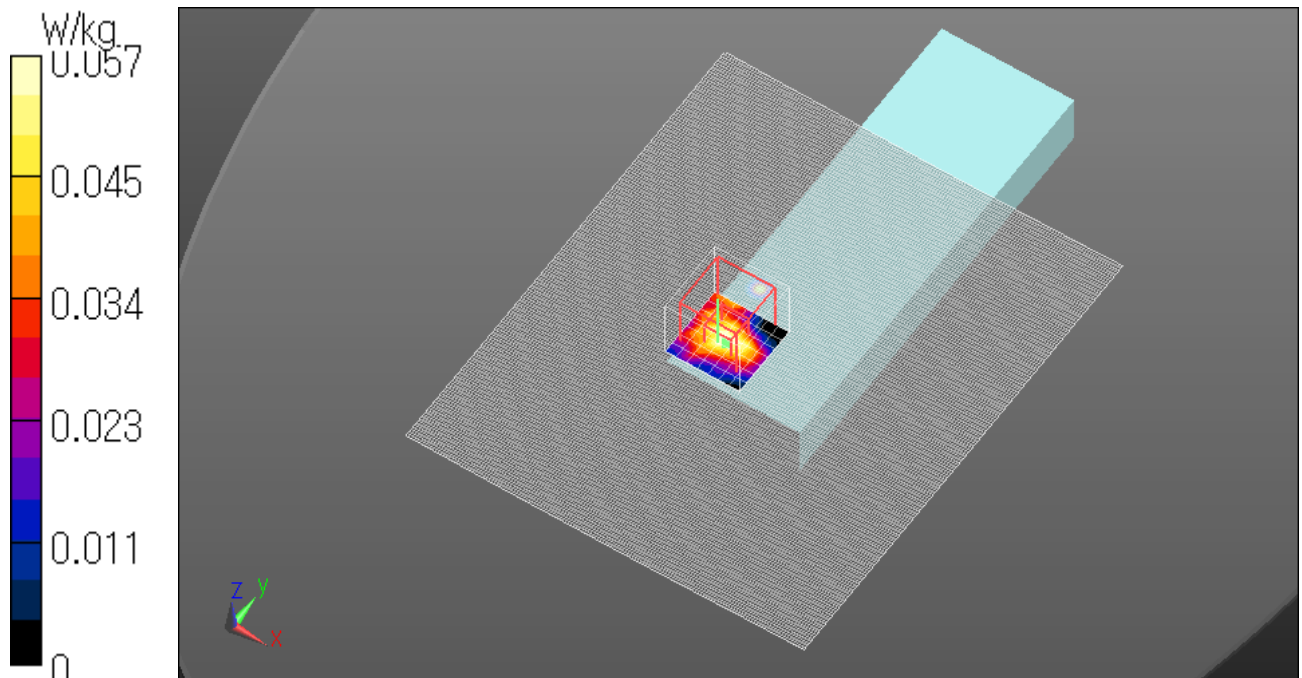
Peak SAR (extrapolated) = 0.342 W/kg

**SAR(1 g) = 0.022 W/kg; SAR(10 g) = 0.00567 W/kg**

Maximum value of SAR (measured) = 0.0566 W/kg

Date: 2016/05/17

Ambient Temp. : 24.0 degree.C. Liquid Temp.; 23.5 degree.C.



**WLAN 11n40 MCS0 5670MHz Rear BT-W75GA**

Communication System: UID 0, WLAN (0); Communication System Band: 11n40/ac40; Frequency: 5670 MHz; Duty Cycle: 1:1

Medium parameters used:  $f = 5670$  MHz;  $\sigma = 5.956$  S/m;  $\epsilon_r = 46.918$ ;  $\rho = 1000$  kg/m<sup>3</sup>

Phantom section: Flat Section

Measurement Standard: DASY5 (IEEE/IEC/ANSI C63.19-2011)

DASY5 Configuration

Probe: EX3DV4 - SN3922; ConvF(3.87, 3.87, 3.87); Calibrated: 2015/06/17;

Sensor-Surface: 1.4mm (Mechanical Surface Detection)

Electronics: DAE4 Sn1372; Calibrated: 2015/06/15

Phantom: ELI v5.0 TP1207 (30deg probe tilt); Type: QDOVA002AA; Serial: TP:1207

Measurement SW: DASY52, Version 52.8 (8); SEMCAD X Version 14.6.10 (7331)

**Area Scan (101x151x1):** Interpolated grid: dx=1.000 mm, dy=1.000 mm

Maximum value of SAR (interpolated) = 0.320 W/kg

**Zoom Scan (8x8x7)/Cube 0:** Measurement grid: dx=4mm, dy=4mm, dz=1.4mm

Reference Value = 6.118 V/m; Power Drift = -0.16 dB

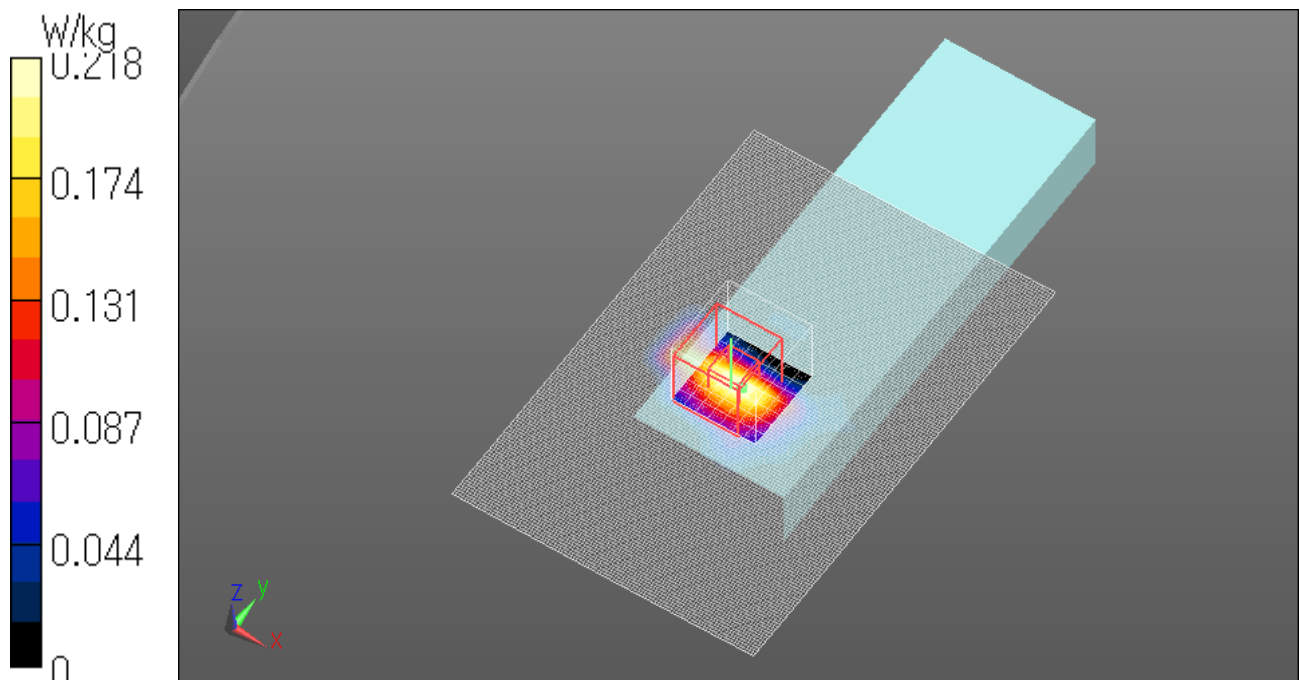
Peak SAR (extrapolated) = 0.357 W/kg

**SAR(1 g) = 0.078 W/kg; SAR(10 g) = 0.025 W/kg**

Maximum value of SAR (measured) = 0.218 W/kg

Date: 2016/05/17

Ambient Temp. : 24.0 degree.C. Liquid Temp.; 23.5 degree.C.



### Measurement data 5.8GHz

#### WLAN 11n40 MCS0 5755MHz Top

Communication System: UID 0, WLAN (0); Communication System Band: 11n40/ac40; Frequency: 5755 MHz; Duty Cycle: 1:1

Medium parameters used (interpolated):  $f = 5755$  MHz;  $\sigma = 6.153$  S/m;  $\epsilon_r = 47.04$ ;  $\rho = 1000$  kg/m<sup>3</sup>

Phantom section: Flat Section

Measurement Standard: DASY5 (IEEE/IEC/ANSI C63.19-2011)

DASY5 Configuration

Probe: EX3DV4 - SN3922; ConvF(4.08, 4.08, 4.08); Calibrated: 2015/06/17;

Sensor-Surface: 1.4mm (Mechanical Surface Detection)

Electronics: DAE4 Sn1372; Calibrated: 2015/06/15

Phantom: ELI v5.0 TP1207 (30deg probe tilt); Type: QDOVA002AA; Serial: TP:1207

Measurement SW: DASY52, Version 52.8 (8); SEMCAD X Version 14.6.10 (7331)

**Area Scan (61x91x1):** Interpolated grid: dx=1.000 mm, dy=1.000 mm

Maximum value of SAR (interpolated) = 0.404 W/kg

**Zoom Scan (8x8x7)/Cube 0:** Measurement grid: dx=4mm, dy=4mm, dz=1.4mm

Reference Value = 7.820 V/m; Power Drift = 0.07 dB

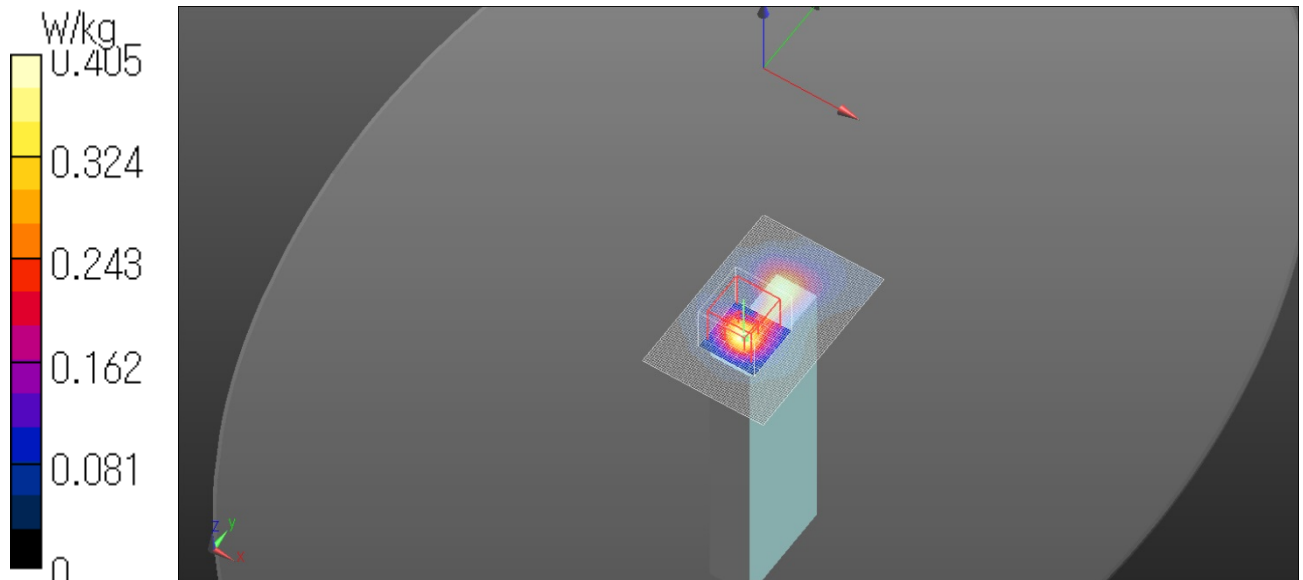
Peak SAR (extrapolated) = 0.689 W/kg

**SAR(1 g) = 0.138 W/kg; SAR(10 g) = 0.042 W/kg**

Maximum value of SAR (measured) = 0.405 W/kg

Date: 2016/05/18

Ambient Temp. : 24.0 degree.C. Liquid Temp.; 23.5 degree.C.



**WLAN 11n40 MCS0 5755MHz Top tilt**

Communication System: UID 0, WLAN (0); Communication System Band: 11n40/ac40; Frequency: 5755 MHz; Duty Cycle: 1:1

Medium parameters used (interpolated):  $f = 5755$  MHz;  $\sigma = 6.153$  S/m;  $\epsilon_r = 47.04$ ;  $\rho = 1000$  kg/m<sup>3</sup>

Phantom section: Flat Section

Measurement Standard: DASY5 (IEEE/IEC/ANSI C63.19-2011)

DASY5 Configuration

Probe: EX3DV4 - SN3922; ConvF(4.08, 4.08, 4.08); Calibrated: 2015/06/17;

Sensor-Surface: 1.4mm (Mechanical Surface Detection)

Electronics: DAE4 Sn1372; Calibrated: 2015/06/15

Phantom: ELI v5.0 TP1207 (30deg probe tilt); Type: QDOVA002AA; Serial: TP:1207

Measurement SW: DASY52, Version 52.8 (8); SEMCAD X Version 14.6.10 (7331)

**Area Scan (61x91x1):** Interpolated grid: dx=1.000 mm, dy=1.000 mm

Maximum value of SAR (interpolated) = 0.355 W/kg

**Zoom Scan (8x8x7)/Cube 0:** Measurement grid: dx=4mm, dy=4mm, dz=1.4mm

Reference Value = 7.422 V/m; Power Drift = 0.14 dB

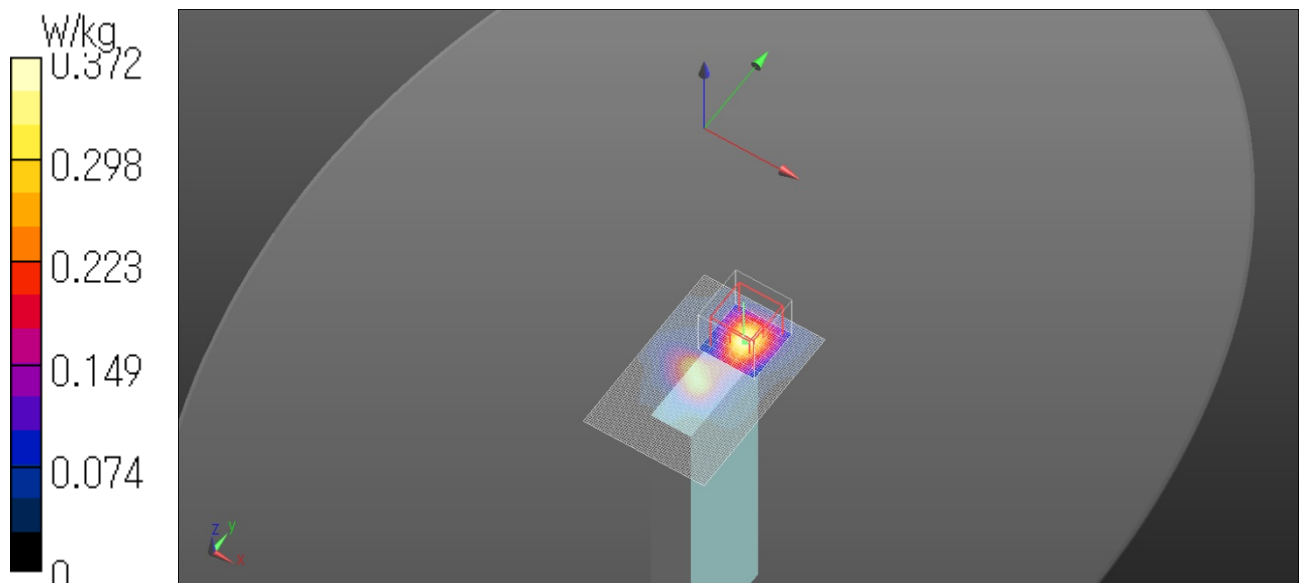
Peak SAR (extrapolated) = 0.631 W/kg

**SAR(1 g) = 0.132 W/kg; SAR(10 g) = 0.044 W/kg**

Maximum value of SAR (measured) = 0.372 W/kg

Date: 2016/05/18

Ambient Temp. : 24.0 degree.C. Liquid Temp.; 23.5 degree.C.





**WLAN 11n40 MCS0 5755MHz Right**

Communication System: UID 0, WLAN (0); Communication System Band: 11n40/ac40; Frequency: 5755 MHz; Duty Cycle: 1:1

Medium parameters used (interpolated):  $f = 5755$  MHz;  $\sigma = 6.153$  S/m;  $\epsilon_r = 47.04$ ;  $\rho = 1000$  kg/m<sup>3</sup>

Phantom section: Flat Section

Measurement Standard: DASY5 (IEEE/IEC/ANSI C63.19-2011)

DASY5 Configuration

Probe: EX3DV4 - SN3922; ConvF(4.08, 4.08, 4.08); Calibrated: 2015/06/17;

Sensor-Surface: 1.4mm (Mechanical Surface Detection)

Electronics: DAE4 Sn1372; Calibrated: 2015/06/15

Phantom: ELI v5.0 TP1207 (30deg probe tilt); Type: QDOVA002AA; Serial: TP:1207

Measurement SW: DASY52, Version 52.8 (8); SEMCAD X Version 14.6.10 (7331)

**Area Scan (91x121x1):** Interpolated grid: dx=1.000 mm, dy=1.000 mm

Maximum value of SAR (interpolated) = 0.297 W/kg

**Zoom Scan (8x8x7)/Cube 0:** Measurement grid: dx=4mm, dy=4mm, dz=1.4mm

Reference Value = 6.989 V/m; Power Drift = 0.02 dB

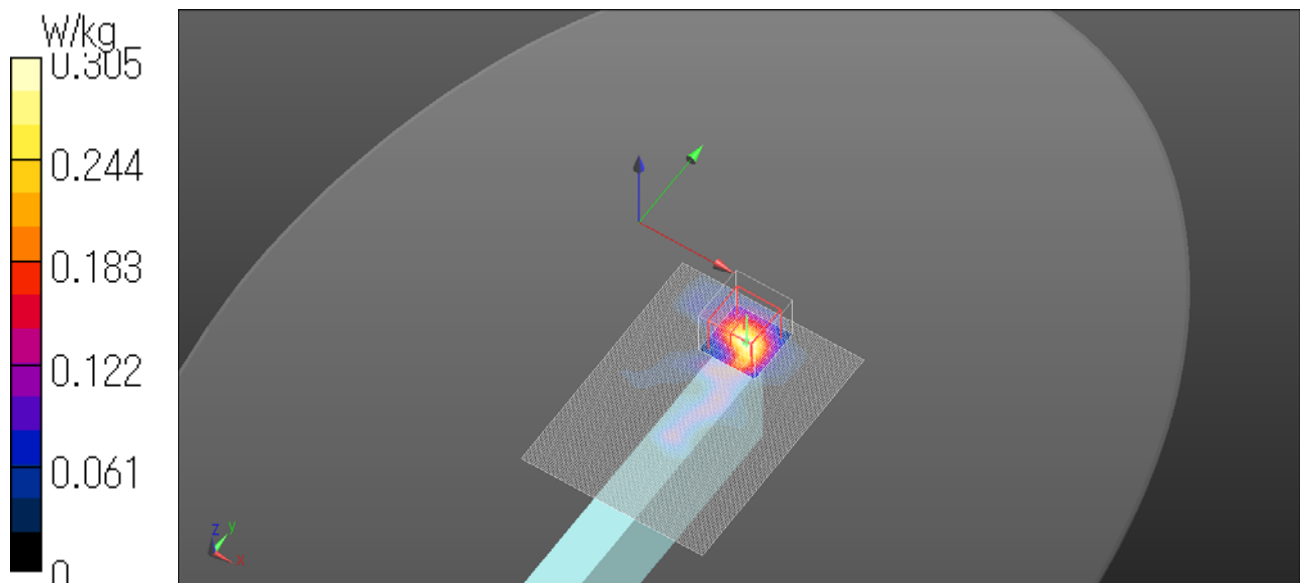
Peak SAR (extrapolated) = 0.506 W/kg

**SAR(1 g) = 0.106 W/kg; SAR(10 g) = 0.035 W/kg**

Maximum value of SAR (measured) = 0.305 W/kg

Date: 2016/05/18

Ambient Temp. : 24.0 degree.C. Liquid Temp.; 23.5 degree.C.



**WLAN 11n40 MCS0 5755MHz Left**

Communication System: UID 0, WLAN (0); Communication System Band: 11n40/ac40; Frequency: 5755 MHz; Duty Cycle: 1:1

Medium parameters used (interpolated):  $f = 5755$  MHz;  $\sigma = 6.153$  S/m;  $\epsilon_r = 47.04$ ;  $\rho = 1000$  kg/m<sup>3</sup>

Phantom section: Flat Section

Measurement Standard: DASY5 (IEEE/IEC/ANSI C63.19-2011)

DASY5 Configuration

Probe: EX3DV4 - SN3922; ConvF(4.08, 4.08, 4.08); Calibrated: 2015/06/17;

Sensor-Surface: 1.4mm (Mechanical Surface Detection)

Electronics: DAE4 Sn1372; Calibrated: 2015/06/15

Phantom: ELI v5.0 TP1207 (30deg probe tilt); Type: QDOVA002AA; Serial: TP:1207

Measurement SW: DASY52, Version 52.8 (8); SEMCAD X Version 14.6.10 (7331)

**Area Scan (121x151x1):** Interpolated grid: dx=1.000 mm, dy=1.000 mm

Maximum value of SAR (interpolated) = 0.218 W/kg

**Zoom Scan (8x8x7)/Cube 0:** Measurement grid: dx=4mm, dy=4mm, dz=1.4mm

Reference Value = 5.469 V/m; Power Drift = -0.06 dB

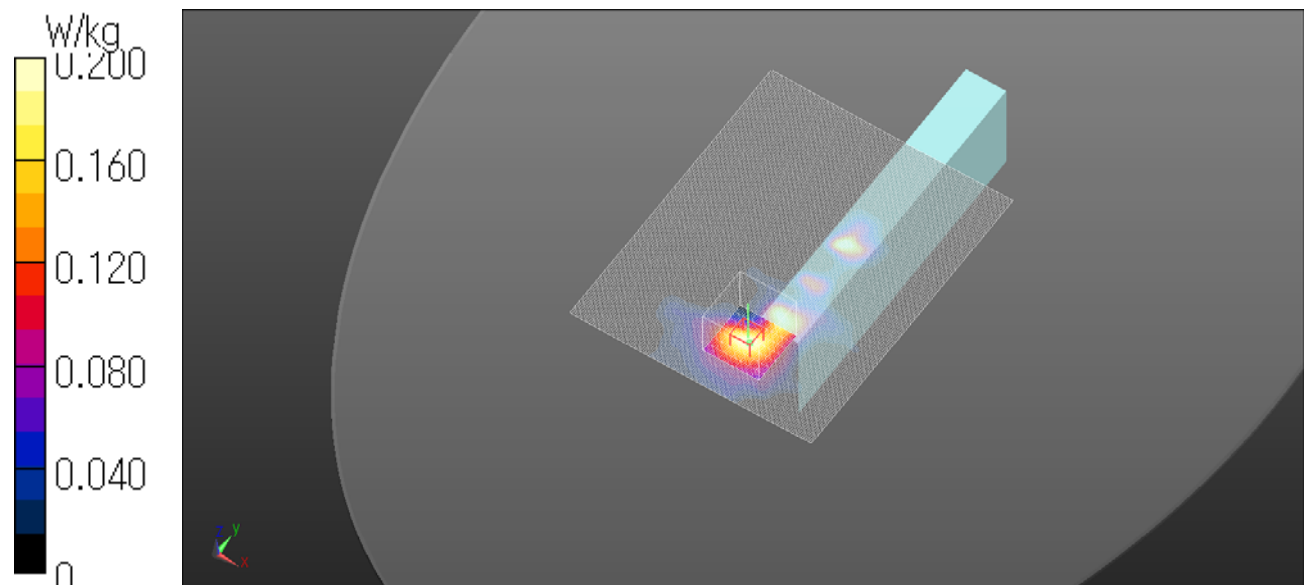
Peak SAR (extrapolated) = 0.335 W/kg

**SAR(1 g) = 0.071 W/kg**

Maximum value of SAR (measured) = 0.200 W/kg

Date: 2016/05/18

Ambient Temp. : 24.0 degree.C. Liquid Temp.; 23.5 degree.C.





**WLAN 11n40 MCS0 5755MHz Front**

Communication System: UID 0, WLAN (0); Communication System Band: 11n40/ac40; Frequency: 5755 MHz; Duty Cycle: 1:1

Medium parameters used (interpolated):  $f = 5755$  MHz;  $\sigma = 6.153$  S/m;  $\epsilon_r = 47.04$ ;  $\rho = 1000$  kg/m<sup>3</sup>

Phantom section: Flat Section

Measurement Standard: DASY5 (IEEE/IEC/ANSI C63.19-2011)

DASY5 Configuration

Probe: EX3DV4 - SN3922; ConvF(4.08, 4.08, 4.08); Calibrated: 2015/06/17;

Sensor-Surface: 1.4mm (Mechanical Surface Detection)

Electronics: DAE4 Sn1372; Calibrated: 2015/06/15

Phantom: ELI v5.0 TP1207 (30deg probe tilt); Type: QDOVA002AA; Serial: TP:1207

Measurement SW: DASY52, Version 52.8 (8); SEMCAD X Version 14.6.10 (7331)

**Area Scan (91x121x1):** Interpolated grid: dx=1.000 mm, dy=1.000 mm

Maximum value of SAR (interpolated) = 0.256 W/kg

**Zoom Scan (8x8x7)/Cube 0:** Measurement grid: dx=4mm, dy=4mm, dz=1.4mm

Reference Value = 6.505 V/m; Power Drift = -0.08 dB

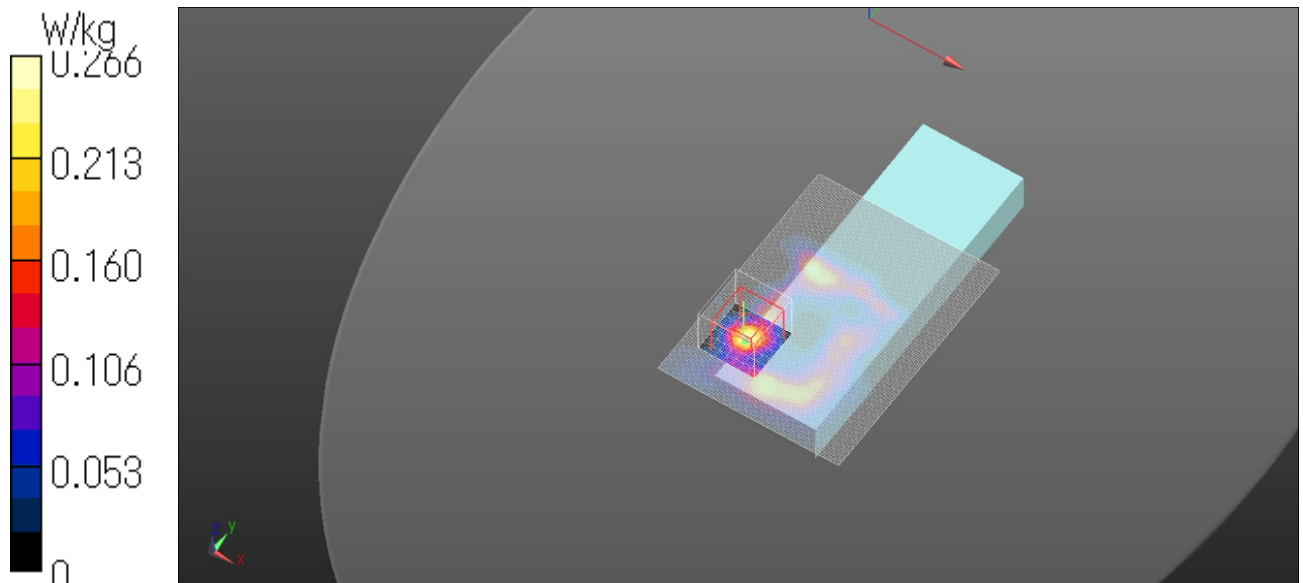
Peak SAR (extrapolated) = 0.446 W/kg

**SAR(1 g) = 0.085 W/kg; SAR(10 g) = 0.021 W/kg**

Maximum value of SAR (measured) = 0.266 W/kg

Date: 2016/05/18

Ambient Temp. : 24.0 degree.C. Liquid Temp.; 23.5 degree.C.



**WLAN 11n40 MCS0 5755MHz Rear**

Communication System: UID 0, WLAN (0); Communication System Band: 11n40/ac40; Frequency: 5755 MHz; Duty Cycle: 1:1

Medium parameters used (interpolated):  $f = 5755$  MHz;  $\sigma = 6.153$  S/m;  $\epsilon_r = 47.04$ ;  $\rho = 1000$  kg/m<sup>3</sup>

Phantom section: Flat Section

Measurement Standard: DASY5 (IEEE/IEC/ANSI C63.19-2011)

DASY5 Configuration

Probe: EX3DV4 - SN3922; ConvF(4.08, 4.08, 4.08); Calibrated: 2015/06/17;

Sensor-Surface: 1.4mm (Mechanical Surface Detection)

Electronics: DAE4 Sn1372; Calibrated: 2015/06/15

Phantom: ELI v5.0 TP1207 (30deg probe tilt); Type: QDOVA002AA; Serial: TP:1207

Measurement SW: DASY52, Version 52.8 (8); SEMCAD X Version 14.6.10 (7331)

**Area Scan (151x181x1):** Interpolated grid: dx=1.000 mm, dy=1.000 mm

Maximum value of SAR (interpolated) = 0.0732 W/kg

**Zoom Scan (8x8x7)/Cube 0:** Measurement grid: dx=4mm, dy=4mm, dz=1.4mm

Reference Value = 3.208 V/m; Power Drift = -0.06 dB

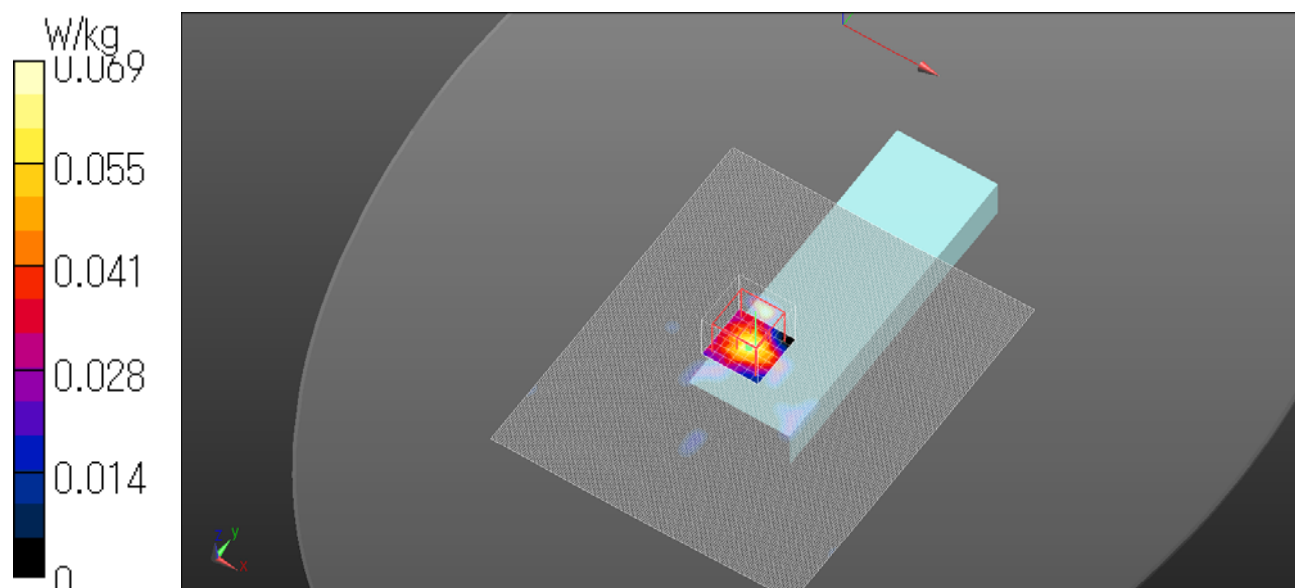
Peak SAR (extrapolated) = 0.300 W/kg

**SAR(1 g) = 0.022 W/kg; SAR(10 g) = 0.00761 W/kg**

Maximum value of SAR (measured) = 0.0688 W/kg

Date: 2016/05/18

Ambient Temp. : 24.0 degree.C. Liquid Temp.; 23.5 degree.C.



**WLAN 11n40 MCS0 5755MHz Rear BT-W75GA**

Communication System: UID 0, WLAN (0); Communication System Band: 11n40/ac40; Frequency: 5755 MHz; Duty Cycle: 1:1

Medium parameters used (interpolated):  $f = 5755$  MHz;  $\sigma = 6.153$  S/m;  $\epsilon_r = 47.04$ ;  $\rho = 1000$  kg/m<sup>3</sup>

Phantom section: Flat Section

Measurement Standard: DASYS (IEEE/IEC/ANSI C63.19-2011)

DASY5 Configuration

Probe: EX3DV4 - SN3922; ConvF(4.08, 4.08, 4.08); Calibrated: 2015/06/17;

Sensor-Surface: 1.4mm (Mechanical Surface Detection)

Electronics: DAE4 Sn1372; Calibrated: 2015/06/15

Phantom: ELI v5.0 TP1207 (30deg probe tilt); Type: QDOVA002AA; Serial: TP:1207

Measurement SW: DASYS2, Version 52.8 (8); SEMCAD X Version 14.6.10 (7331)

**Area Scan (101x151x1):** Interpolated grid: dx=1.000 mm, dy=1.000 mm

Maximum value of SAR (interpolated) = 0.301 W/kg

**Zoom Scan (8x8x7)/Cube 0:** Measurement grid: dx=4mm, dy=4mm, dz=1.4mm

Reference Value = 5.921 V/m; Power Drift = -0.15 dB

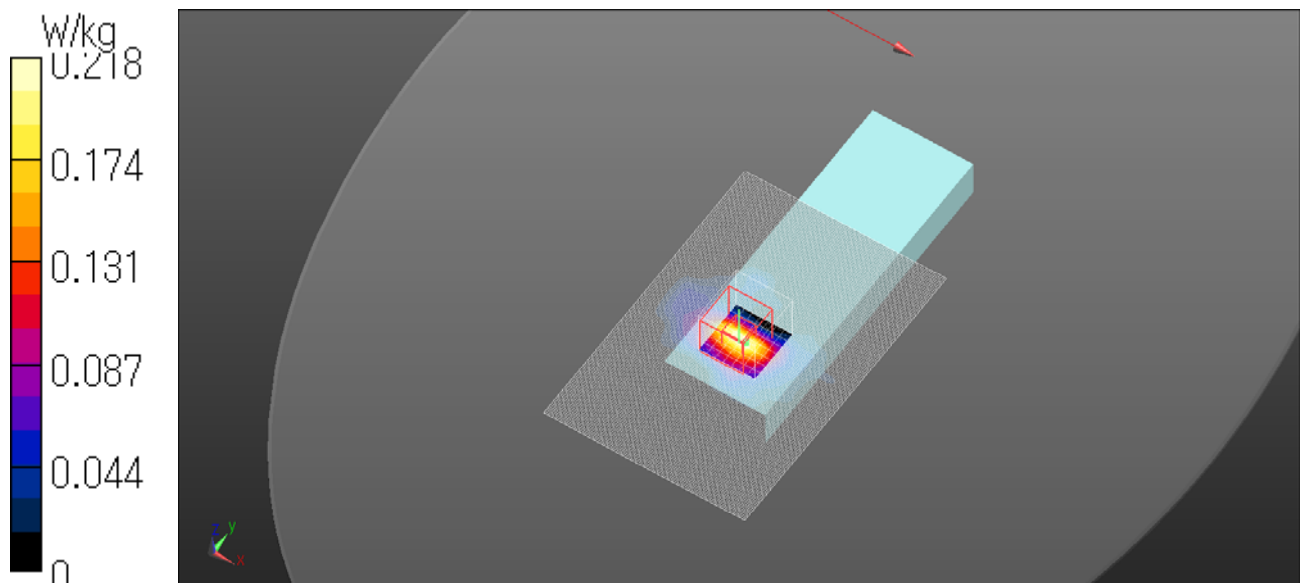
Peak SAR (extrapolated) = 0.373 W/kg

**SAR(1 g) = 0.076 W/kg; SAR(10 g) = 0.025 W/kg**

Maximum value of SAR (measured) = 0.218 W/kg

Date: 2016/05/18

Ambient Temp. : 24.0 degree.C. Liquid Temp.; 23.5 degree.C.



## APPENDIX2 : System Check

### System check result Body 2450MHz

#### BODY 2450MHz System Check DATA / Dipole 2450MHz / Forward Conducted Power : 250mW

Communication System: UID 0, CW (0)Communication System Band: D2450 (2450.0 MHz); Frequency: 2450 MHz; Duty Cycle: 1:1

Medium parameters used:  $f = 2450$  MHz;  $\sigma = 2.008$  S/m;  $\epsilon_r = 50.708$ ;  $\rho = 1000$  kg/m<sup>3</sup>

Phantom section: Flat Section

Measurement Standard: DASYS (IEEE/IEC/ANSI C63.19-2007)

DASY5 Configuration

Probe: EX3DV4 - SN3825; ConvF(7.29, 7.29, 7.29); Calibrated: 2015/12/11;

Sensor-Surface: 2mm (Mechanical Surface Detection)

Electronics: DAE4 Sn509; Calibrated: 2015/07/07

Phantom: ELI v4.0 (20deg probe tilt); Type: QDOVA001BB; Serial: TP:1045

Measurement SW: DASYS2, Version 52.8 (8); SEMCAD X Version 14.6.10 (7331)

**Area Scan (81x71x1):** Interpolated grid: dx=1.200 mm, dy=1.200 mm

Maximum value of SAR (interpolated) = 20.6 W/kg

**Zoom Scan (7x7x7) (7x7x7)/Cube 0:** Measurement grid: dx=5mm, dy=5mm, dz=5mm

Reference Value = 99.32 V/m; Power Drift = -0.08 dB

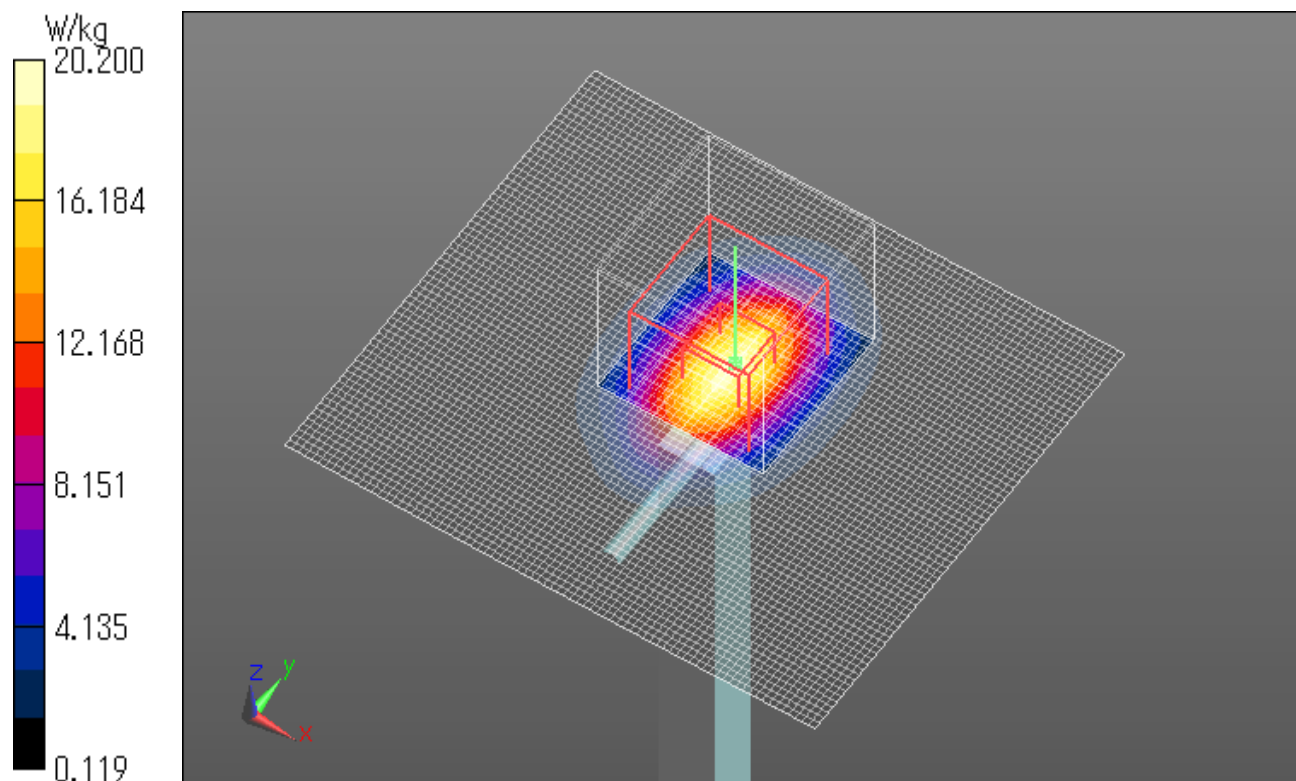
Peak SAR (extrapolated) = 27.2 W/kg

**SAR(1 g) = 13.3 W/kg; SAR(10 g) = 6.16 W/kg**

Maximum value of SAR (measured) = 20.2 W/kg

Date: 2016/04/20

Ambient Temp. : 24.0 degree.C. Liquid Temp.; 23.5 degree.C.



**BODY 2450MHz System Check DATA / Dipole 2450MHz / Forward Conducted Power : 250mW**

Communication System: UID 0, CW (0)Communication System Band: D2450 (2450.0 MHz); Frequency: 2450 MHz; Duty Cycle: 1:1

Medium parameters used:  $f = 2450$  MHz;  $\sigma = 2.008$  S/m;  $\epsilon_r = 50.708$ ;  $\rho = 1000$  kg/m<sup>3</sup>

Phantom section: Flat Section

Measurement Standard: DASYS (IEEE/IEC/ANSI C63.19-2007)

DASY5 Configuration

Probe: EX3DV4 - SN3825; ConvF(7.29, 7.29, 7.29); Calibrated: 2015/12/11;

Sensor-Surface: 0mm (Fix Surface)

Electronics: DAE4 Sn509; Calibrated: 2015/07/07

Phantom: ELI v4.0 (20deg probe tilt); Type: QDOVA001BB; Serial: TP:1045

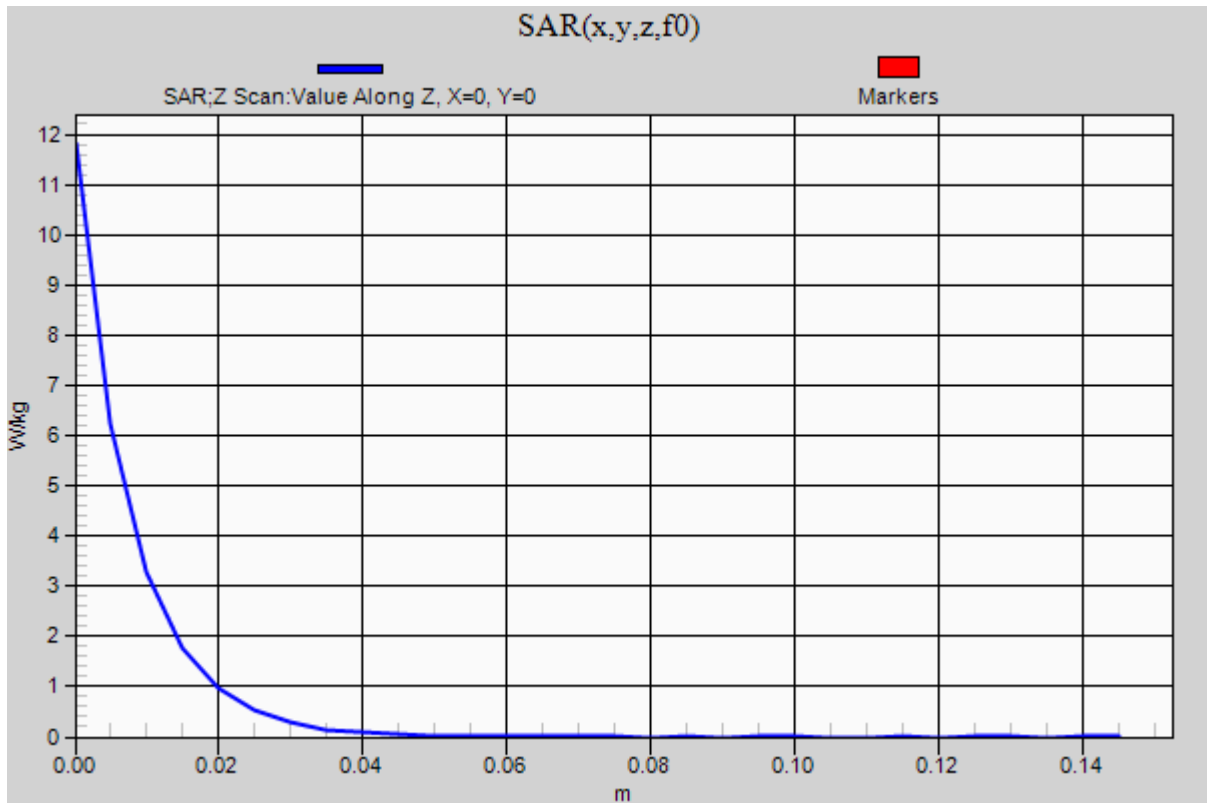
Measurement SW: DASYS2, Version 52.8 (8); SEMCAD X Version 14.6.10 (7331)

**Z Scan (1x1x31):** Measurement grid: dx=20mm, dy=20mm, dz=5mm

Maximum value of SAR (measured) = 11.8 W/kg

Date: 2016/04/20

Ambient Temp. : 24.0 degree.C. Liquid Temp.; 23.5 degree.C.



**System check result Body 5250MHz**

**BODY 5250MHz System Check DATA / Dipole 5250MHz / Forward Conducted Power : 100mW**

Communication System: UID 0, CW; Communication System Band: D5GHz (5000.0 - 6000.0 MHz); Frequency: 5250 MHz; Duty Cycle: 1:1

Medium parameters used:  $f = 5250$  MHz;  $\sigma = 5.581$  S/m;  $\epsilon_r = 48.648$ ;  $\rho = 1000$  kg/m<sup>3</sup>

Phantom section: Flat Section

Measurement Standard: DASYS (IEEE/IEC/ANSI C63.19-2011)

DASY5 Configuration

Probe: EX3DV4 - SN3922; ConvF(4.46, 4.46, 4.46); Calibrated: 2015/06/17;

Sensor-Surface: 1.4mm (Mechanical Surface Detection)

Electronics: DAE4 Sn1372; Calibrated: 2015/06/15

Phantom: ELI v5.0 TP1207 (30deg probe tilt); Type: QDOVA002AA; Serial: TP:1207

Measurement SW: DASYS2, Version 52.8 (8); SEMCAD X Version 14.6.10 (7331)

**Area Scan (91x91x1):** Interpolated grid: dx=1.000 mm, dy=1.000 mm

Maximum value of SAR (interpolated) = 18.2 W/kg

**Zoom Scan (4x4x1.4mm, graded), dist=1.4mm (8x8x7)/Cube 0:** Measurement grid: dx=4mm, dy=4mm, dz=1.4mm

Reference Value = 62.30 V/m; Power Drift = 0.03 dB

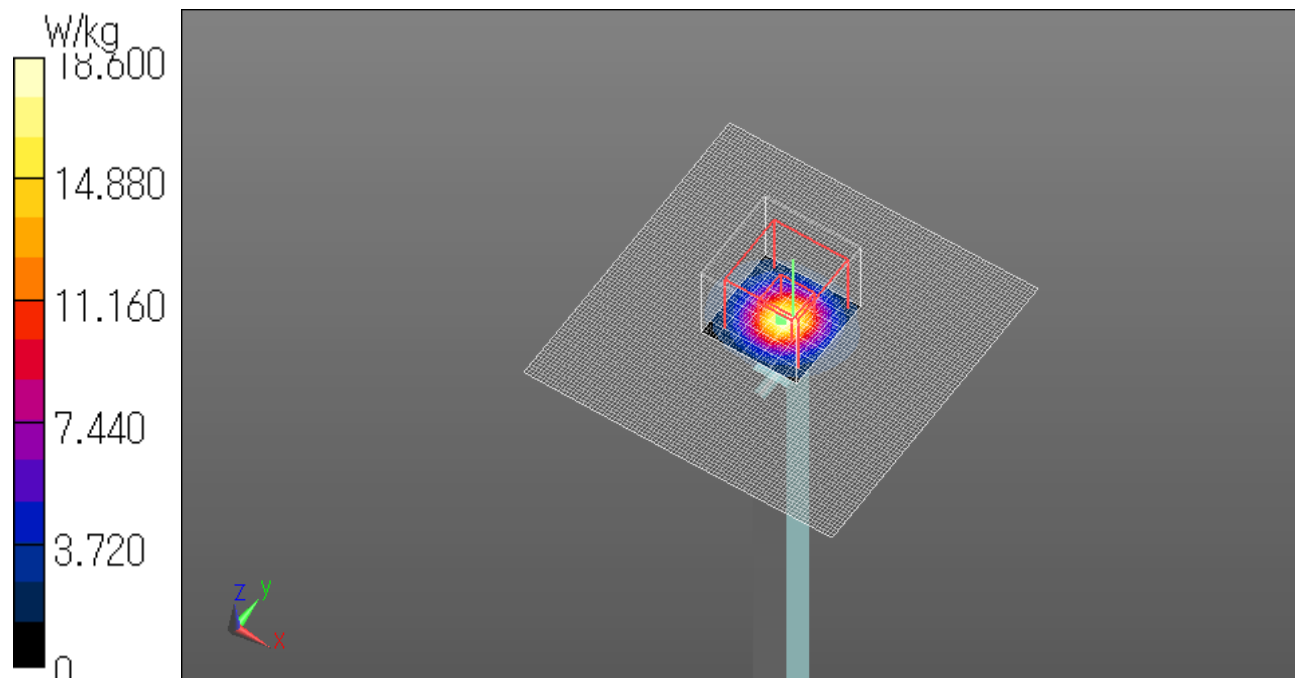
Peak SAR (extrapolated) = 32.8 W/kg

**SAR(1 g) = 7.52 W/kg; SAR(10 g) = 2.11 W/kg**

Maximum value of SAR (measured) = 18.6 W/kg

Date: 2016/05/17

Ambient Temp. : 24.0 degree.C. Liquid Temp.; 23.5 degree.C.



**BODY 5250MHz System Check DATA / Dipole 5250MHz / Forward Conducted Power : 100mW**

Communication System: UID 0, CW; Communication System Band: D5GHz (5000.0 - 6000.0 MHz); Frequency: 5250 MHz; Duty Cycle: 1:1

Medium parameters used:  $f = 5250$  MHz;  $\sigma = 5.581$  S/m;  $\epsilon_r = 48.648$ ;  $\rho = 1000$  kg/m<sup>3</sup>

Phantom section: Flat Section

Measurement Standard: DASYS5 (IEEE/IEC/ANSI C63.19-2011)

DASY5 Configuration

Probe: EX3DV4 - SN3922; ConvF(4.46, 4.46, 4.46); Calibrated: 2015/06/17;

Sensor-Surface: 0mm (Fix Surface)

Electronics: DAE4 Sn1372; Calibrated: 2015/06/15

Phantom: ELI v5.0 TP1207 (30deg probe tilt); Type: QDOVA002AA; Serial: TP:1207

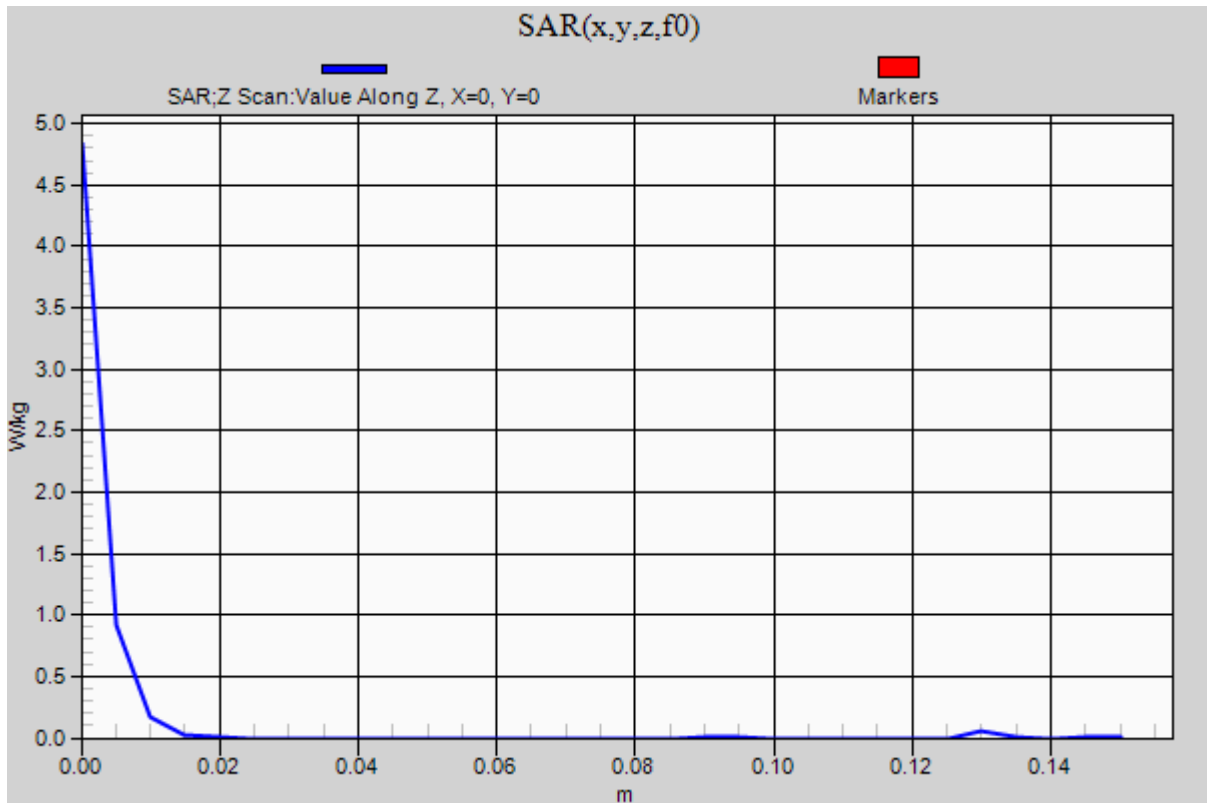
Measurement SW: DASYS52, Version 52.8 (8); SEMCAD X Version 14.6.10 (7331)

**Z Scan (1x1x31):** Measurement grid: dx=20mm, dy=20mm, dz=5mm

Maximum value of SAR (measured) = 4.83 W/kg

Date: 2016/05/17

Ambient Temp. : 24.0 degree.C. Liquid Temp.; 23.5 degree.C.





**System check result Body 5600MHz**

**BODY 5600MHz System Check DATA / Dipole 5600MHz / Forward Conducted Power : 100mW**

Communication System: UID 0, CW (0); Communication System Band: D5GHz (5000.0 - 6000.0 MHz); Frequency: 5600 MHz; Duty Cycle: 1:1

Medium parameters used:  $f = 5600$  MHz;  $\sigma = 5.794$  S/m;  $\epsilon_r = 47.108$ ;  $\rho = 1000$  kg/m<sup>3</sup>

Phantom section: Flat Section

Measurement Standard: DASY5 (IEEE/IEC/ANSI C63.19-2011)

DASY5 Configuration

Probe: EX3DV4 - SN3922; ConvF(3.87, 3.87, 3.87); Calibrated: 2015/06/17;

Sensor-Surface: 1.4mm (Mechanical Surface Detection)

Electronics: DAE4 Sn1372; Calibrated: 2015/06/15

Phantom: ELI v5.0 TP1207 (30deg probe tilt); Type: QDOVA002AA; Serial: TP:1207

Measurement SW: DASY52, Version 52.8 (8); SEMCAD X Version 14.6.10 (7331)

**Area Scan (91x91x1):** Interpolated grid: dx=1.000 mm, dy=1.000 mm

Maximum value of SAR (interpolated) = 19.7 W/kg

**Zoom Scan (4x4x1.4mm, graded), dist=1.4mm (8x8x7)/Cube 0:** Measurement grid: dx=4mm, dy=4mm, dz=1.4mm

Reference Value = 62.50 V/m; Power Drift = 0.09 dB

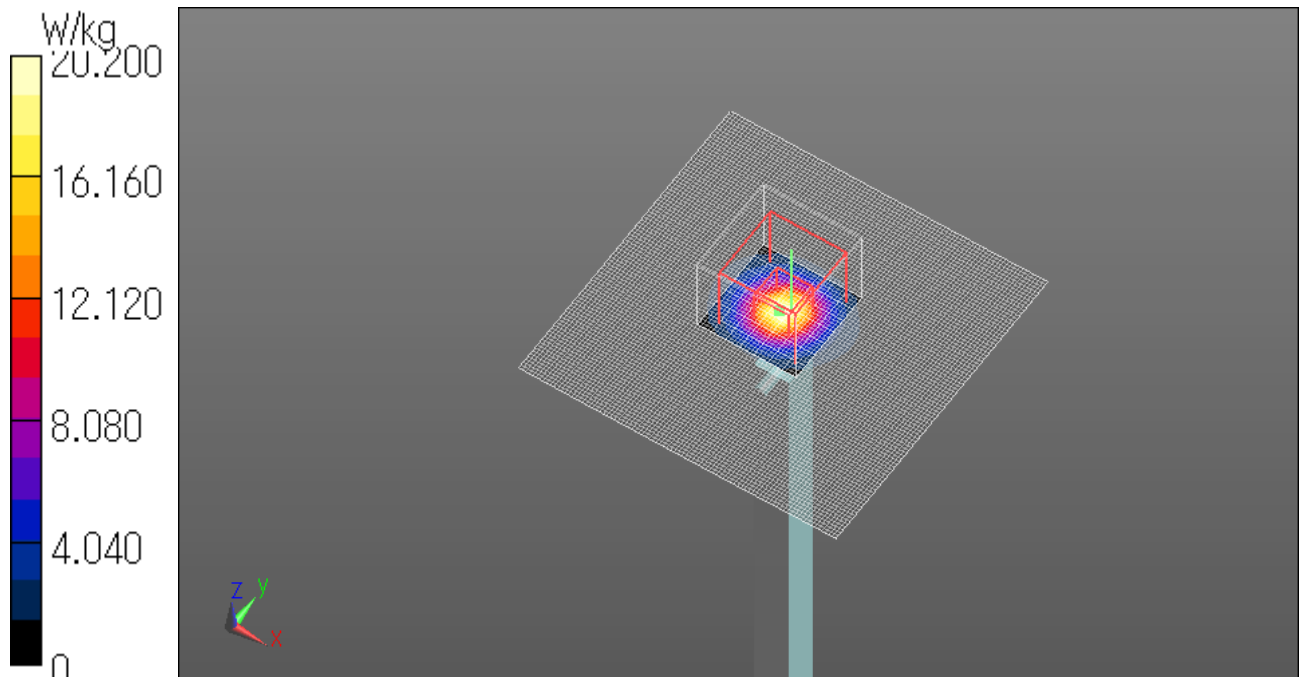
Peak SAR (extrapolated) = 36.3 W/kg

**SAR(1 g) = 8 W/kg; SAR(10 g) = 2.18 W/kg**

Maximum value of SAR (measured) = 20.2 W/kg

Date: 2016/05/17

Ambient Temp. : 24.0 degree.C. Liquid Temp.; 23.5 degree.C.





**BODY 5600MHz System Check DATA / Dipole 5600MHz / Forward Conducted Power : 100mW**

Communication System: UID 0, CW (0); Communication System Band: D5GHz (5000.0 - 6000.0 MHz); Frequency: 5600 MHz; Duty Cycle: 1:1

Medium parameters used:  $f = 5600$  MHz;  $\sigma = 5.794$  S/m;  $\epsilon_r = 47.108$ ;  $\rho = 1000$  kg/m<sup>3</sup>

Phantom section: Flat Section

Measurement Standard: DASY5 (IEEE/IEC/ANSI C63.19-2011)

DASY5 Configuration

Probe: EX3DV4 - SN3922; ConvF(3.87, 3.87, 3.87); Calibrated: 2015/06/17;

Sensor-Surface: 0mm (Fix Surface)

Electronics: DAE4 Sn1372; Calibrated: 2015/06/15

Phantom: ELI v5.0 TP1207 (30deg probe tilt); Type: QDOVA002AA; Serial: TP:1207

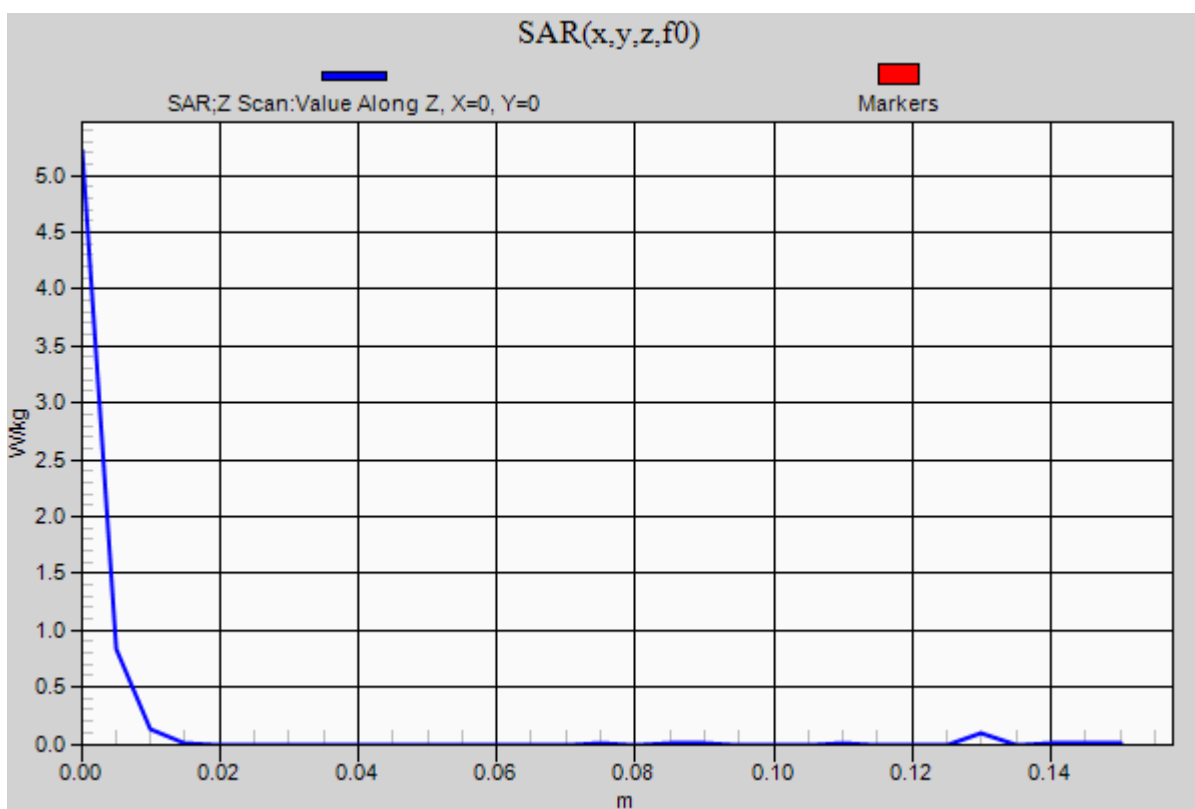
Measurement SW: DASY52, Version 52.8 (8); SEMCAD X Version 14.6.10 (7331)

**Z Scan (1x1x31):** Measurement grid: dx=20mm, dy=20mm, dz=5mm

Maximum value of SAR (measured) = 5.22 W/kg

Date: 2016/05/17

Ambient Temp. : 24.0 degree.C. Liquid Temp.; 23.5 degree.C.



**System check result Body 5750MHz**

**BODY 5750MHz System Check DATA / Dipole 5750MHz / Forward Conducted Power : 100mW**

Communication System: UID 0, CW (0); Communication System Band: D5GHz (5000.0 - 6000.0 MHz); Frequency: 5750 MHz; Duty Cycle: 1:1

Medium parameters used:  $f = 5750$  MHz;  $\sigma = 6.183$  S/m;  $\epsilon_r = 46.95$ ;  $\rho = 1000$  kg/m<sup>3</sup>

Phantom section: Flat Section

Measurement Standard: DASYS (IEEE/IEC/ANSI C63.19-2011)

DASY5 Configuration

Probe: EX3DV4 - SN3922; ConvF(4.08, 4.08, 4.08); Calibrated: 2015/06/17;

Sensor-Surface: 1.4mm (Mechanical Surface Detection)

Electronics: DAE4 Sn1372; Calibrated: 2015/06/15

Phantom: ELI v5.0 TP1207 (30deg probe tilt); Type: QDOVA002AA; Serial: TP:1207

Measurement SW: DASYS2, Version 52.8 (8); SEMCAD X Version 14.6.10 (7331)

**Area Scan (91x91x1):** Interpolated grid: dx=1.000 mm, dy=1.000 mm

Maximum value of SAR (interpolated) = 17.2 W/kg

**Zoom Scan (4x4x1.4mm, graded), dist=1.4mm (8x8x7)/Cube 0:** Measurement grid: dx=4mm, dy=4mm, dz=1.4mm

Reference Value = 60.38 V/m; Power Drift = -0.09 dB

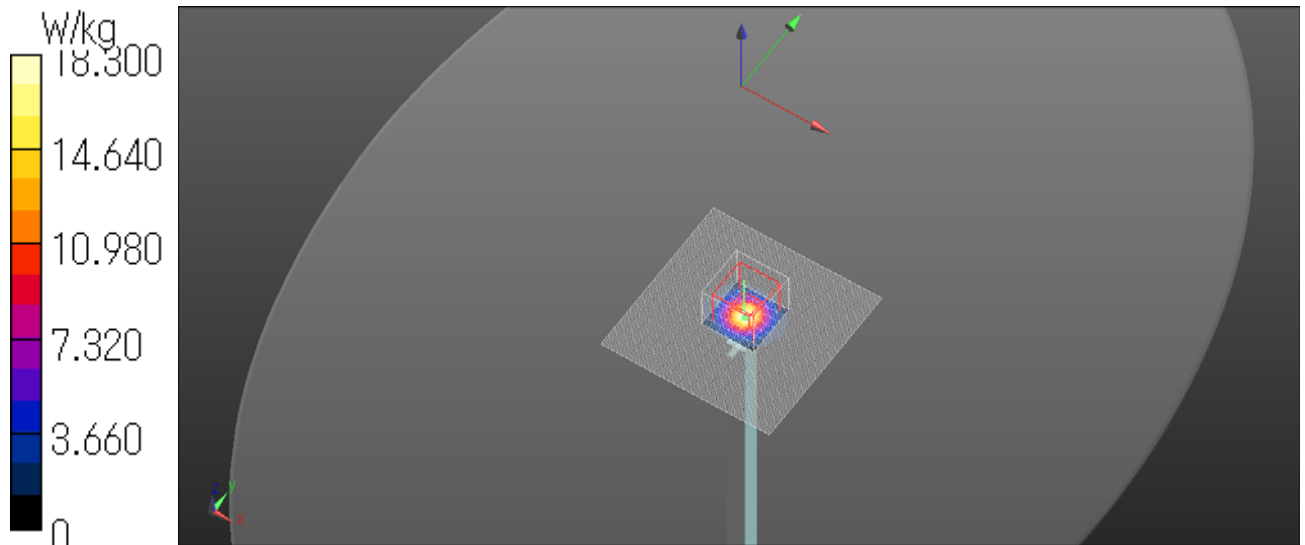
Peak SAR (extrapolated) = 35.4 W/kg

**SAR(1 g) = 7.35 W/kg; SAR(10 g) = 2.04 W/kg**

Maximum value of SAR (measured) = 18.3 W/kg

Date: 2016/05/18

Ambient Temp. : 24.0 degree.C. Liquid Temp.; 23.5 degree.C.



**BODY 5750MHz System Check DATA / Dipole 5750MHz / Forward Conducted Power : 100mW**

Communication System: UID 0, CW (0); Communication System Band: D5GHz (5000.0 - 6000.0 MHz); Frequency: 5750 MHz; Duty Cycle: 1:1

Medium parameters used:  $f = 5750$  MHz;  $\sigma = 6.183$  S/m;  $\epsilon_r = 46.95$ ;  $\rho = 1000$  kg/m<sup>3</sup>

Phantom section: Flat Section

Measurement Standard: DASYS (IEEE/IEC/ANSI C63.19-2011)

DASY5 Configuration

Probe: EX3DV4 - SN3922; ConvF(4.08, 4.08, 4.08); Calibrated: 2015/06/17;

Sensor-Surface: 0mm (Fix Surface)

Electronics: DAE4 Sn1372; Calibrated: 2015/06/15

Phantom: ELI v5.0 TP1207 (30deg probe tilt); Type: QDOVA002AA; Serial: TP:1207

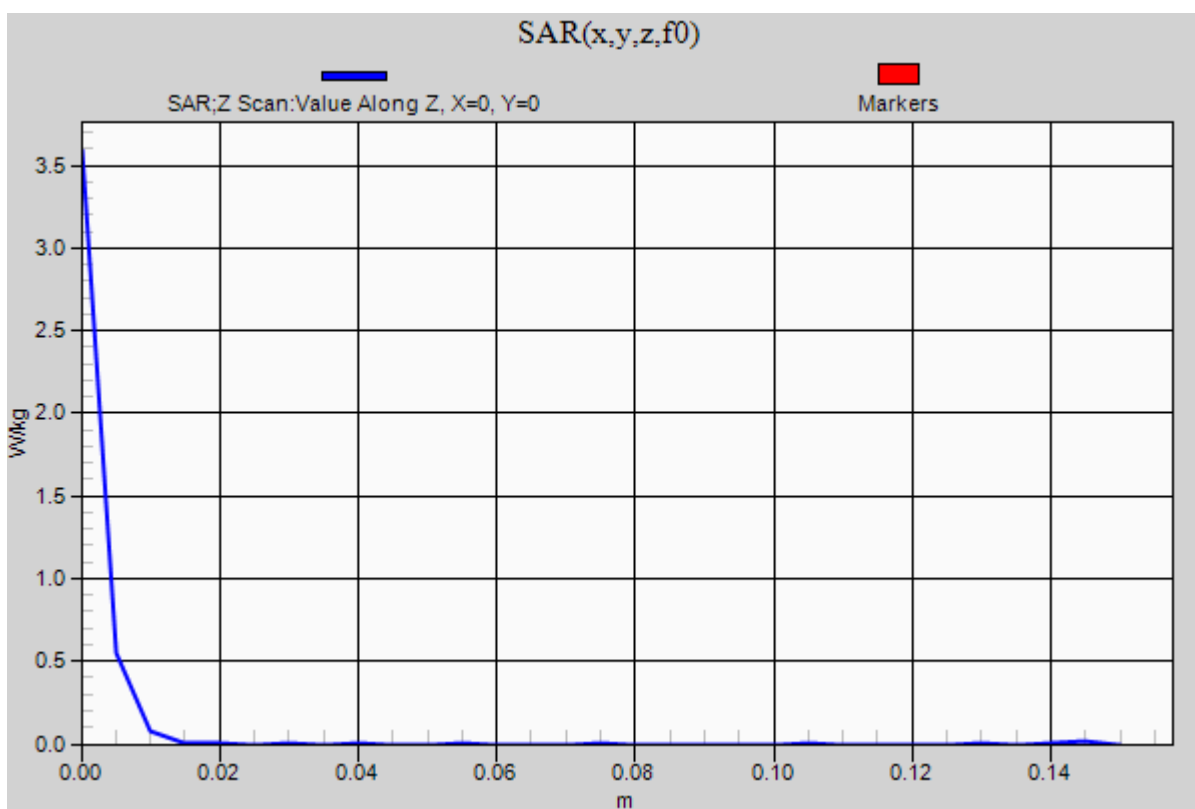
Measurement SW: DASYS2, Version 52.8 (8); SEMCAD X Version 14.6.10 (7331)

**Z Scan (1x1x31):** Measurement grid: dx=20mm, dy=20mm, dz=5mm

Maximum value of SAR (measured) = 3.59 W/kg

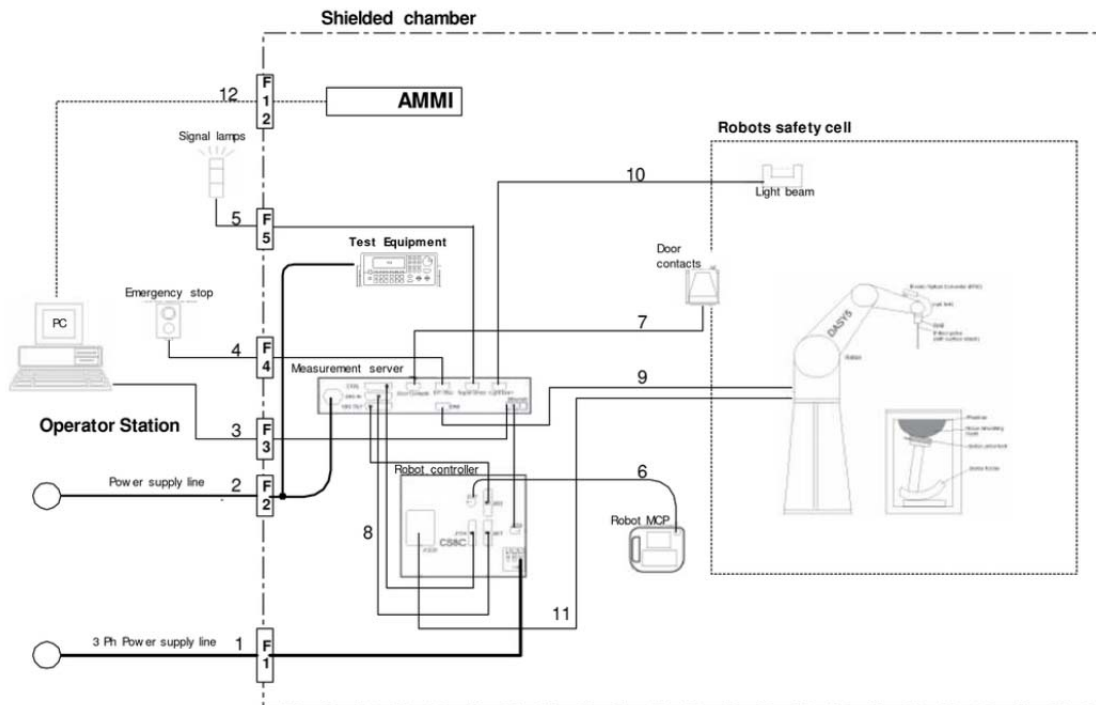
Date: 2016/05/18

Ambient Temp. : 24.0 degree.C. Liquid Temp.; 23.5 degree.C.



## APPENDIX 3 : System specifications

### Configuration and peripherals



The DASYS system for performing compliance tests consist of the following items:

- a) A standard high precision 6-axis robot (Stäubli RX family) with controller and software.  
An arm extension for accommodating the data acquisition electronics (DAE).
- b) An isotropic field probe optimized and calibrated for the targeted measurement.
- c) A data acquisition electronic (DAE), which performs the signal amplification, signal multiplexing, AD-conversion, offset measurements, mechanical surface detection, collision detection, etc. The unit is battery powered with standard or rechargeable batteries. The signal is optically transmitted to the EOC.
- d) The Electro-optical converter (EOC) performs the conversion between optical and electrical of the signals for the digital communication to the DAE and for the analog signal from the optical surface detection.  
The EOC is connected to the measurement server.
- e) The function of the measurement server is to perform the time critical tasks such as signal filtering, control of the robot operation and fast movement interrupts.
- f) The Light Beam used is for probe alignment. This improves the (absolute) accuracy of the probe positioning.
- g) A computer running WinXP and the DASYS software.
- h) Remote control with teaches pendant and additional circuitry for robot safety such as warning lamps, etc.
- i) The phantom, the device holder and other accessories according to the targeted measurement.

## Specifications

### **a) Robot TX60L**

<b>Number of Axes</b>	:	6
<b>Nominal Load</b>	:	2 kg
<b>Maximum Load</b>	:	5kg
<b>Reach</b>	:	920mm
<b>Repeatability</b>	:	+/-0.03mm
<b>Control Unit</b>	:	CS8c
<b>Programming Language</b>	:	VAL3
<b>Weight</b>	:	52.2kg
<b>Manufacture</b>	:	Stäubli Robotics

### **b) E-Field Probe**

<b>Model</b>	:	EX3DV4
<b>Construction</b>	:	Symmetrical design with triangular core Built-in shielding against static charges PEEK enclosure material (resistant to organic solvents, e.g., glycol ether)
<b>Frequency</b>	:	10 MHz to > 6 GHz Linearity: $\pm 0.2$ dB (30 MHz to 6 GHz)
<b>Directivity</b>	:	+/-0.3 dB in HSL (rotation around probe axis) +/-0.5 dB in tissue material (rotation normal probe axis)
<b>Dynamic Range</b>	:	10uW/g to > 100 mW/g; Linearity +/-0.2 dB (noise: typically < 1uW/g)
<b>Dimensions</b>	:	Overall length: 337 mm (Tip: 20 mm) Tip diameter: 2.5mm (Body: 12 mm) Typical distance from probe tip to dipole centers: 1 mm
<b>Application</b>	:	Highprecision dosimetric measurement in any exposure scenario (e.g., very strong gradient fields). Only probe which enables compliance testing for frequencies up to 6GHz with precision of better 30%.
<b>Manufacture</b>	:	Schmid & Partner Engineering AG



**EX3DV4 E-field Probe**

**c)Data Acquisition Electronic (DAE4)**

<b>Features</b>	:	Signal amplifier, multiplexer, A/D converter and control logic Serial optical link for communication with DASY5 embedded system (fully remote controlled) Two step probe touch detector for mechanical surface detection and emergency robot stop
<b>Measurement Range</b>	:	-100 to +300 mV (16 bit resolution and two range settings: 4mV, 400mV)
<b>Input Offset voltage</b>	:	< 5 $\mu$ V (with auto zero)
<b>Input Resistance</b>	:	200 M $\Omega$
<b>Input Bias Current</b>	:	< 50 fA
<b>Battery Power</b>	:	> 10 h of operation (with two 9.6 V NiMH accus)
<b>Dimension</b>	:	60 x 60 x 68 mm
<b>Manufacture</b>	:	Schmid & Partner Engineering AG

**d)Electro-Optic Converter (EOC)**

<b>Version</b>	:	EOC 61
<b>Description</b>	:	for TX60 robot arm, including proximity sensor
<b>Manufacture</b>	:	Schmid & Partner Engineering AG

**e)DASY5 Measurement server**

<b>Features</b>	:	Intel ULV Celeron 400MHz 128MB chip disk and 128MB RAM 16 Bit A/D converter for surface detection system Vacuum Fluorescent Display Robot Interface Serial link to DAE (with watchdog supervision) Door contact port (Possibility to connect a light curtain) Emergency stop port (to connect the remote control) Signal lamps port Light beam port Three Ethernet connection ports Two USB 2.0 Ports Two serial links Expansion port for future applications
<b>Dimensions (L x W x H)</b>	:	440 x 241 x 89 mm
<b>Manufacture</b>	:	Schmid & Partner Engineering AG

**f) Light Beam Switches**

<b>Version</b>	:	LB5
<b>Dimensions (L x H)</b>	:	110 x 80 mm
<b>Thickness</b>	:	12 mm
<b>Beam-length</b>	:	80 mm
<b>Manufacture</b>	:	Schmid & Partner Engineering AG

**g)Software**

<b>Item</b>	:	Dosimetric Assessment System DASY5
<b>Type No.</b>	:	SD 000 401A, SD 000 402A
<b>Software version No.</b>	:	DASY52, Version 52.6 (1)
<b>Manufacture / Origin</b>	:	Schmid & Partner Engineering AG

**h)Robot Control Unit**

<b>Weight</b>	:	70 Kg
<b>AC Input Voltage</b>	:	selectable
<b>Manufacturer</b>	:	Stäubli Robotics

### i) Phantom and Device Holder

#### Phantom

<b>Type</b>	:	SAM Twin Phantom V4.0
<b>Description</b>	:	The shell corresponds to the specifications of the Specific Anthropomorphic Mannequin (SAM) phantom defined in IEEE 1528 and IEC 62209-1. It enables the dosimetric evaluation of left and right hand phone usage as well as body mounted usage at the flat phantom region. A cover prevents evaporation of the liquid. Reference markings on the phantom allow the complete setup of all predefined phantom positions and measurement grids by teaching three points with the robot.
<b>Material</b>	:	Vinylester, glass fiber reinforced (VE-GF)
<b>Shell Material</b>	:	Fiberglass
<b>Thickness</b>	:	2.0 +/-0.2 mm
<b>Dimensions</b>	:	Length: 1000 mm Width: 500 mm Height: adjustable feet
<b>Volume</b>	:	Approx. 25 liters
<b>Manufacture</b>	:	Schmid & Partner Engineering AG

<b>Type</b>	:	2mm Flat phantom ERI4.0
<b>Description</b>	:	Phantom for compliance testing of handheld and body-mounted wireless devices in the frequency range of 30 MHz to 6 GHz. ELI4 is fully compatible with the latest draft of the standard IEC 62209 Part II and all known tissue simulating liquids. ELI4 has been optimized regarding its performance and can be integrated into our standard phantom tables. A cover prevents evaporation of the liquid. Reference markings on the phantom allow installation of the complete setup, including all predefined phantom positions and measurement grids, by teaching three points. The phantom is supported by software version DASY4.5 and higher and is compatible with all SPEAG dosimetric probes and dipoles.
<b>Material</b>	:	Vinylester, glass fiber reinforced (VE-GF)
<b>Shell Thickness</b>	:	2.0 ± 0.2 mm (sagging: <1%)
<b>Filling Volume</b>	:	approx. 30 liters
<b>Dimensions</b>	:	Major ellipse axis: 600 mm Minor axis: 400 mm
<b>Manufacture</b>	:	Schmid & Partner Engineering AG

#### Device Holder

In combination with the Twin SAM Phantom V4.0/V4.0c or ELI4, the Mounting Device enables the rotation of the mounted transmitter device in spherical coordinates. Rotation point is the ear opening point. Transmitter devices can be easily and accurately positioned according to IEC, IEEE, FCC or other specifications. The device holder can be locked for positioning at different phantom sections (left head, right head, flat).

**Material** : POM

#### Laptio Extensions kit

Simple but effective and easy-to-use extension for Mounting Device that facilitates the testing of larger devices according to IEC 62209-2 (e.g., laptops, cameras, etc.). It is lightweight and fits easily on the upper part of the Mounting Device in place of the phone positioner. The extension is fully compatible with the Twin-SAM, ELI4 Phantoms.

**Material** : POM, Acrylic glass, Foam

#### Urethane

For this measurement, the urethane foam was used as device holder.

**j) Simulated Tissues (Liquid)**

The following tissue formulations are provided for reference only as some of the parameters have not been thoroughly verified. The composition of ingredients may be modified accordingly to achieve the desired target tissue parameters required for routine SAR evaluation.

Mixture (%)	Frequency (MHz)									
	450		900		1800		1950		2450	
Tissue Type	Head	Body	Head	Body	Head	Body	Head	Body	Head	Body
Water	38.91	46.21	40.29	50.75	55.24	70.17	55.41	69.79	55.0	68.64
Sugar	56.93	51.17	57.90	48.21	-	-	-	-	-	-
Cellulose	0.25	0.18	0.24	0.00	-	-	-	-	-	-
Salt (NaCl)	3.79	2.34	1.38	0.94	0.31	0.39	0.08	0.2	-	-
Preventol	0.12	0.08	0.18	0.10	-	-	-	-	-	-
DGMBE	-	-	-	-	44.45	29.44	44.51	30.0	45.0	31.37
Dielectric Constant	43.42	58.0	42.54	56.1	42.0	56.8	39.9	54.0	39.8	52.5
Conductivity (S/m)	0.85	0.83	0.91	0.95	1.0	1.07	1.42	1.45	1.88	1.78

Note: DGMBE (Diethylenglycol-monobuthyl ether)

The simulated tissue (liquid) of 1800MHz was used for the test frequency of 1700MHz to 1800MHz.

Mixture (%)	Frequency (MHz)	
	650&750	1450
Tissue Type	Head and Body	Head and Body
Water	35-58%	52-75%
Sugar	40-60%	-
Cellulose	<0.3%	-
Salt (NaCl)	0-6%	<1%
Preventol	0.1-0.7%	-
DGMBE	-	25-48%

Mixture (%)	Frequency (MHz)	
	5800	
Tissue Type	Head	Body
Water	64.0	78.0
Mineral Oil	18.0	11.0
Emulsifiers	15.0	9.0
Additives and salt	3.0	2.0



**System Check Dipole SAR Calibration Certificate -Dipole 2450MHz(D2450V2,S/N:713)**

**Calibration Laboratory of  
Schmid & Partner  
Engineering AG**  
Zeughausstrasse 43, 8004 Zurich, Switzerland



**S** Schweizerischer Kalibrierdienst  
**S** Service suisse d'étalonnage  
**C** Servizio svizzero di taratura  
**S** Swiss Calibration Service

Accredited by the Swiss Accreditation Service (SAS)  
The Swiss Accreditation Service is one of the signatories to the EA  
Multilateral Agreement for the recognition of calibration certificates

Accreditation No.: **SCS 108**

Client **UL Japan (PTT)**

Certificate No: **D2450V2-713\_Sep13**

<b>CALIBRATION CERTIFICATE</b>			
Object	D2450V2 - SN: 713		
Calibration procedure(s)	QA CAL-05.v9 Calibration procedure for dipole validation kits above 700 MHz		
Calibration date:	September 10, 2013		
This calibration certificate documents the traceability to national standards, which realize the physical units of measurements (SI). The measurements and the uncertainties with confidence probability are given on the following pages and are part of the certificate.			
All calibrations have been conducted in the closed laboratory facility: environment temperature (22 ± 3)°C and humidity < 70%.			
Calibration Equipment used (M&TE critical for calibration)			
<b>Primary Standards</b>	<b>ID #</b>	<b>Cal Date (Certificate No.)</b>	<b>Scheduled Calibration</b>
Power meter EPM-442A	GB37480704	01-Nov-12 (No. 217-01640)	Oct-13
Power sensor HP 8481A	US37292783	01-Nov-12 (No. 217-01640)	Oct-13
Reference 20 dB Attenuator	SN: 5058 (20k)	04-Apr-13 (No. 217-01736)	Apr-14
Type-N mismatch combination	SN: 5047.3 / 06327	04-Apr-13 (No. 217-01739)	Apr-14
Reference Probe ES3DV3	SN: 3205	28-Dec-12 (No. ES3-3205_Dec12)	Dec-13
DAE4	SN: 601	25-Apr-13 (No. DAE4-601_Apr13)	Apr-14
<b>Secondary Standards</b>	<b>ID #</b>	<b>Check Date (in house)</b>	<b>Scheduled Check</b>
Power sensor HP 8481A	MY41092317	18-Oct-02 (in house check Oct-11)	In house check: Oct-13
RF generator R&S SMT-06	100005	04-Aug-99 (in house check Oct-11)	In house check: Oct-13
Network Analyzer HP 8753E	US37390585 S4206	18-Oct-01 (in house check Oct-12)	In house check: Oct-13
Calibrated by:	Name Israe El-Naouq	Function Laboratory Technician	Signature 
Approved by:	Katja Pokovic	Technical Manager	
			Issued: September 10, 2013
This calibration certificate shall not be reproduced except in full without written approval of the laboratory.			

Certificate No: D2450V2-713\_Sep13

Page 1 of 8

**Calibration Laboratory of  
Schmid & Partner  
Engineering AG**  
Zeughausstrasse 43, 8004 Zurich, Switzerland



**S** Schweizerischer Kalibrierdienst  
**S** Service suisse d'étalonnage  
**C** Servizio svizzero di taratura  
**S** Swiss Calibration Service

Accredited by the Swiss Accreditation Service (SAS)  
The Swiss Accreditation Service is one of the signatories to the EA  
Multilateral Agreement for the recognition of calibration certificates

Accreditation No.: **SCS 108**

**Glossary:**

TSL tissue simulating liquid  
ConvF sensitivity in TSL / NORM x,y,z  
N/A not applicable or not measured

**Calibration is Performed According to the Following Standards:**

- a) IEEE Std 1528-2003, "IEEE Recommended Practice for Determining the Peak Spatial-Averaged Specific Absorption Rate (SAR) in the Human Head from Wireless Communications Devices: Measurement Techniques", December 2003
- b) IEC 62209-1, "Procedure to measure the Specific Absorption Rate (SAR) for hand-held devices used in close proximity to the ear (frequency range of 300 MHz to 3 GHz)", February 2005
- c) KDB 865664, "SAR Measurement Requirements for 100 MHz to 6 GHz"

**Additional Documentation:**

- d) DASy4/5 System Handbook

**Methods Applied and Interpretation of Parameters:**

- *Measurement Conditions:* Further details are available from the Validation Report at the end of the certificate. All figures stated in the certificate are valid at the frequency indicated.
- *Antenna Parameters with TSL:* The dipole is mounted with the spacer to position its feed point exactly below the center marking of the flat phantom section, with the arms oriented parallel to the body axis.
- *Feed Point Impedance and Return Loss:* These parameters are measured with the dipole positioned under the liquid filled phantom. The impedance stated is transformed from the measurement at the SMA connector to the feed point. The Return Loss ensures low reflected power. No uncertainty required.
- *Electrical Delay:* One-way delay between the SMA connector and the antenna feed point. No uncertainty required.
- *SAR measured:* SAR measured at the stated antenna input power.
- *SAR normalized:* SAR as measured, normalized to an input power of 1 W at the antenna connector.
- *SAR for nominal TSL parameters:* The measured TSL parameters are used to calculate the nominal SAR result.

The reported uncertainty of measurement is stated as the standard uncertainty of measurement multiplied by the coverage factor  $k=2$ , which for a normal distribution corresponds to a coverage probability of approximately 95%.

### Measurement Conditions

DASY system configuration, as far as not given on page 1.

DASY Version	DASY5	V52.8.7
Extrapolation	Advanced Extrapolation	
Phantom	Modular Flat Phantom	
Distance Dipole Center - TSL	10 mm	with Spacer
Zoom Scan Resolution	dx, dy, dz = 5 mm	
Frequency	2450 MHz ± 1 MHz	

### Head TSL parameters

The following parameters and calculations were applied.

	Temperature	Permittivity	Conductivity
Nominal Head TSL parameters	22.0 °C	39.2	1.80 mho/m
Measured Head TSL parameters	(22.0 ± 0.2) °C	39.4 ± 6 %	1.83 mho/m ± 6 %
Head TSL temperature change during test	< 0.5 °C	----	----

### SAR result with Head TSL

SAR averaged over 1 cm <sup>3</sup> (1 g) of Head TSL	Condition	
SAR measured	250 mW input power	13.0 W/kg
SAR for nominal Head TSL parameters	normalized to 1W	51.6 W/kg ± 17.0 % (k=2)

SAR averaged over 10 cm <sup>3</sup> (10 g) of Head TSL	condition	
SAR measured	250 mW input power	6.05 W/kg
SAR for nominal Head TSL parameters	normalized to 1W	24.1 W/kg ± 16.5 % (k=2)

### Body TSL parameters

The following parameters and calculations were applied.

	Temperature	Permittivity	Conductivity
Nominal Body TSL parameters	22.0 °C	52.7	1.95 mho/m
Measured Body TSL parameters	(22.0 ± 0.2) °C	52.2 ± 6 %	2.00 mho/m ± 6 %
Body TSL temperature change during test	< 0.5 °C	----	----

### SAR result with Body TSL

SAR averaged over 1 cm <sup>3</sup> (1 g) of Body TSL	Condition	
SAR measured	250 mW input power	12.6 W/kg
SAR for nominal Body TSL parameters	normalized to 1W	49.7 W/kg ± 17.0 % (k=2)

SAR averaged over 10 cm <sup>3</sup> (10 g) of Body TSL	condition	
SAR measured	250 mW input power	5.89 W/kg
SAR for nominal Body TSL parameters	normalized to 1W	23.4 W/kg ± 16.5 % (k=2)

## Appendix

### Antenna Parameters with Head TSL

Impedance, transformed to feed point	51.8 $\Omega$ + 0.7 j $\Omega$
Return Loss	- 34.4 dB

### Antenna Parameters with Body TSL

Impedance, transformed to feed point	48.7 $\Omega$ + 2.8 j $\Omega$
Return Loss	- 30.0 dB

### General Antenna Parameters and Design

Electrical Delay (one direction)	1.162 ns
----------------------------------	----------

After long term use with 100W radiated power, only a slight warming of the dipole near the feedpoint can be measured.

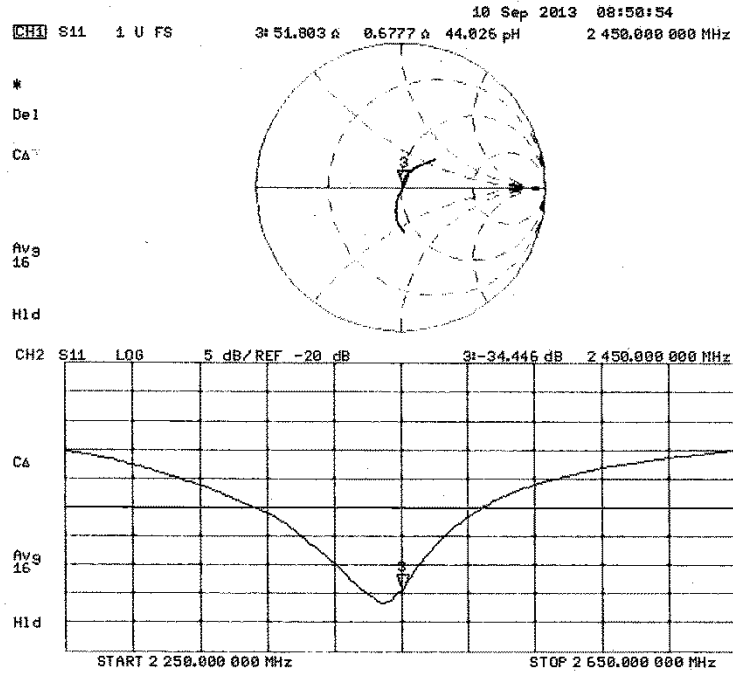
The dipole is made of standard semirigid coaxial cable. The center conductor of the feeding line is directly connected to the second arm of the dipole. The antenna is therefore short-circuited for DC-signals. On some of the dipoles, small end caps are added to the dipole arms in order to improve matching when loaded according to the position as explained in the "Measurement Conditions" paragraph. The SAR data are not affected by this change. The overall dipole length is still according to the Standard.

No excessive force must be applied to the dipole arms, because they might bend or the soldered connections near the feedpoint may be damaged.

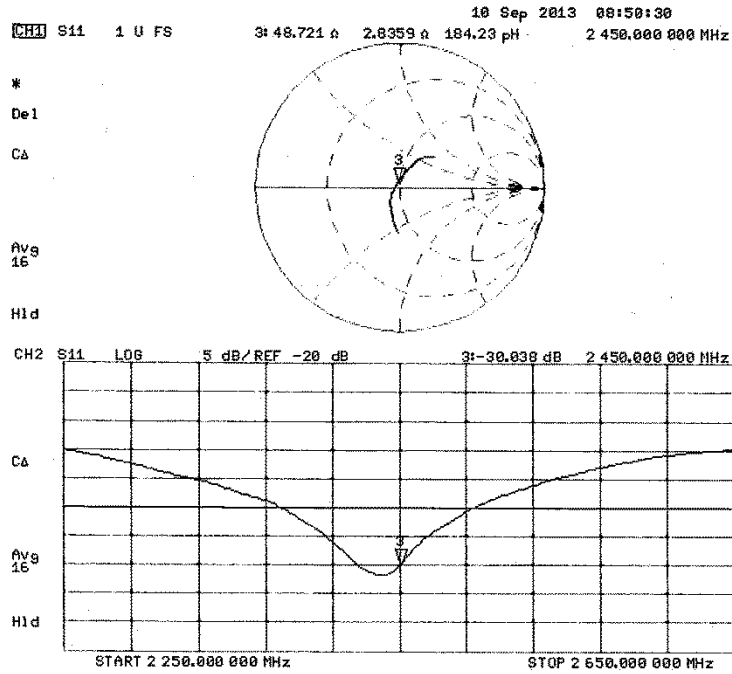
### Additional EUT Data

Manufactured by	SPEAG
Manufactured on	July 05, 2002

Impedance Measurement Plot for Head TSL



Impedance Measurement Plot for Body TSL



D2450V2 Calibration for Impedance and Return-loss

**1. Test environment**

Date	July 21, 2015		
Ambient Temperature	24.0 deg.C	Relative humidity	50%RH

**2. Equipment used**

Control No.	Instrument	Manufacturer	Model No	Serial No	Test Item	Calibration Date * Interval(month)
EST-54	Network Analyzer	Hewlett Packard	8753ES	US39171615	SAR	2015/05/05 * 12
EST-08	Calibration Kit	Agilent	85032B	3217A12903	SAR	2015/05/04 * 12
MPF-04	2mm Oval Flat Phantom	Schmid&Partner Engineering AG	QDOVA001BB	1207	SAR	2015/05/11 * 12
MPSAM-04	SAM Phantom	Schmid&Partner Engineering AG	QD000P40CD	1762	SAR	2015/05/11 * 12
MOS-38	Digital thermometer	HANNA	Checktemp 4	-	SAR	2015/04/28 * 12
MOS-31	Thermo-Hygrometer	Custom	CTH-201	3101	SAR	2015/07/07 * 12
HSL2450						Daily check
MSL2450						Daily check
SAR room1						Daily check

**3. Test Result**

Impedance, Transformed to feed point	Head	Deviation	Tolerance	Result
Calibration (SPEAG) 2013/09/10	51.8 Ω+0.7jΩ	-	-	-
Calibration(ULJ)2015/7/21	50.94Ω+0.86jΩ	-0.9Ω+0.2jΩ	+/-5Ω+/-5jΩ	Complied

Return loss	Head	Deviation	Tolerance	Result
Calibration (SPEAG) 2013/09/10	-34.4dB	-	-	-
Calibration(ULJ)2015/7/21	-37.97dB	-3.5dB	-34.4 *+/-20%	Complied

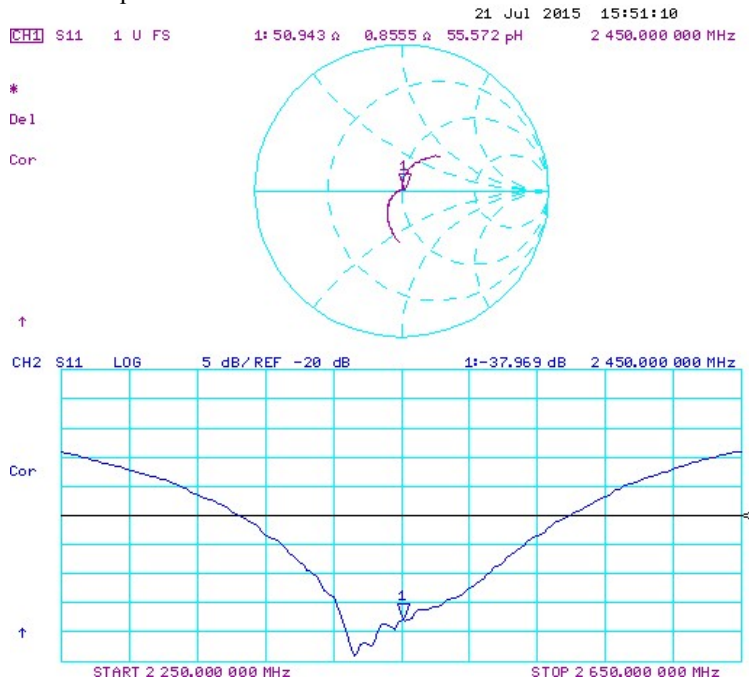
Impedance, Transformed to feed point	Body	Deviation	Tolerance	Result
Calibration (SPEAG) 2013/09/10	48.7Ω+2.8jΩ	-	-	-
Calibration(ULJ)2015/7/21	50.53Ω+2.48jΩ	+1.8Ω+/-0.3jΩ	+/-5Ω+/-5jΩ	Complied

Return loss	Body	Deviation	Tolerance	Result
Calibration (SPEAG) 2013/09/10	-30.0dB	-	-	-
Calibration(ULJ)2015/7/21	-31.95dB	-1.95dB	-30.0 *+/-20%	Complied

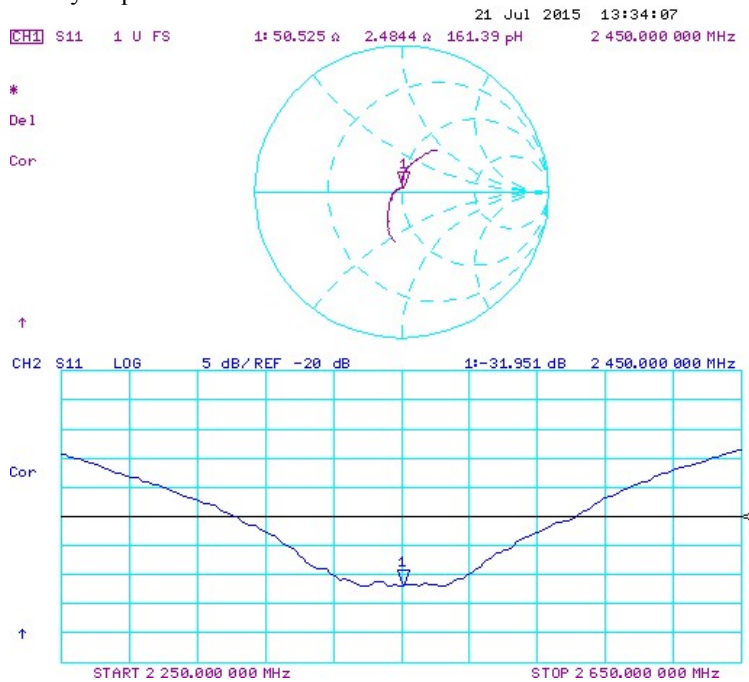
\*Tolerance : According to the KDB450824D02

Measurement Plots

<Head Liquid>



<Body Liquid>





**System Check Dipole SAR Calibration Certificate -Dipole 5GHz(D5GHzV2,S/N:1020)**

**Calibration Laboratory of  
Schmid & Partner  
Engineering AG**  
Zeughausstrasse 43, 8004 Zurich, Switzerland



**S** Schweizerischer Kalibrierdienst  
**C** Service suisse d'étalonnage  
**S** Servizio svizzero di taratura  
**S** Swiss Calibration Service

Accredited by the Swiss Accreditation Service (SAS)  
The Swiss Accreditation Service is one of the signatories to the EA  
Multilateral Agreement for the recognition of calibration certificates

Accreditation No.: **SCS 0108**

Client **UL Japan HQ (Vitec)**

Certificate No: **D5GHzV2-1020\_Jan16**

CALIBRATION CERTIFICATE			
Object	D5GHzV2 - SN: 1020		
Calibration procedure(s)	QA CAL-22.v2 Calibration procedure for dipole validation kits between 3-6 GHz		
Calibration date:	January 20, 2016		
This calibration certificate documents the traceability to national standards, which realize the physical units of measurements (SI). The measurements and the uncertainties with confidence probability are given on the following pages and are part of the certificate.			
All calibrations have been conducted in the closed laboratory facility: environment temperature (22 ± 3)°C and humidity < 70%.			
Calibration Equipment used (M&TE critical for calibration)			
Primary Standards	ID #	Cal Date (Certificate No.)	Scheduled Calibration
Power meter EPM-442A	GB37480704	07-Oct-15 (No. 217-02222)	Oct-16
Power sensor HP 8481A	US37292783	07-Oct-15 (No. 217-02222)	Oct-16
Power sensor HP 8481A	MY41092317	07-Oct-15 (No. 217-02223)	Oct-16
Reference 20 dB Attenuator	SN: 5058 (20k)	01-Apr-15 (No. 217-02131)	Mar-16
Type-N mismatch combination	SN: 5047.2 / 06327	01-Apr-15 (No. 217-02134)	Mar-16
Reference Probe EX3DV4	SN: 3503	31-Dec-15 (No. EX3-3503_Dec15)	Dec-16
DAE4	SN: 601	30-Dec-15 (No. DAE4-601_Dec15)	Dec-16
Secondary Standards	ID #	Check Date (in house)	Scheduled Check
RF generator R&S SMT-06	100972	15-Jun-15 (in house check Jun-15)	In house check: Jun-18
Network Analyzer HP 8753E	US37390585 S4206	18-Oct-01 (in house check Oct-15)	In house check: Oct-16
Calibrated by:	Name Jeton Kastrati	Function Laboratory Technician	Signature 
Approved by:	Name Katja Pokovic	Function Technical Manager	Signature 
			Issued: January 20, 2016
This calibration certificate shall not be reproduced except in full without written approval of the laboratory.			

Certificate No: D5GHzV2-1020\_Jan16

Page 1 of 17

**Calibration Laboratory of  
Schmid & Partner  
Engineering AG**  
Zeughausstrasse 43, 8004 Zurich, Switzerland



**S** Schweizerischer Kalibrierdienst  
**C** Service suisse d'étalonnage  
**S** Servizio svizzero di taratura  
**S** Swiss Calibration Service

Accredited by the Swiss Accreditation Service (SAS)  
The Swiss Accreditation Service is one of the signatories to the EA  
Multilateral Agreement for the recognition of calibration certificates

Accreditation No.: **SCS 0108**

**Glossary:**

TSL tissue simulating liquid  
ConvF sensitivity in TSL / NORM x,y,z  
N/A not applicable or not measured

**Calibration is Performed According to the Following Standards:**

- a) IEEE Std 1528-2013, "IEEE Recommended Practice for Determining the Peak Spatial-Averaged Specific Absorption Rate (SAR) in the Human Head from Wireless Communications Devices: Measurement Techniques", June 2013
- b) IEC 62209-2, "Procedure to determine the Specific Absorption Rate (SAR) for wireless communication devices used in close proximity to the human body (frequency range of 30 MHz to 6 GHz)", March 2010
- c) KDB 865664, "SAR Measurement Requirements for 100 MHz to 6 GHz"

**Additional Documentation:**

- d) DASY4/5 System Handbook

**Methods Applied and Interpretation of Parameters:**

- *Measurement Conditions:* Further details are available from the Validation Report at the end of the certificate. All figures stated in the certificate are valid at the frequency indicated.
- *Antenna Parameters with TSL:* The dipole is mounted with the spacer to position its feed point exactly below the center marking of the flat phantom section, with the arms oriented parallel to the body axis.
- *Feed Point Impedance and Return Loss:* These parameters are measured with the dipole positioned under the liquid filled phantom. The impedance stated is transformed from the measurement at the SMA connector to the feed point. The Return Loss ensures low reflected power. No uncertainty required.
- *Electrical Delay:* One-way delay between the SMA connector and the antenna feed point. No uncertainty required.
- *SAR measured:* SAR measured at the stated antenna input power.
- *SAR normalized:* SAR as measured, normalized to an input power of 1 W at the antenna connector.
- *SAR for nominal TSL parameters:* The measured TSL parameters are used to calculate the nominal SAR result.

The reported uncertainty of measurement is stated as the standard uncertainty of measurement multiplied by the coverage factor  $k=2$ , which for a normal distribution corresponds to a coverage probability of approximately 95%.

### Measurement Conditions

DASY system configuration, as far as not given on page 1.

DASY Version	DASY5	V52.8.8
Extrapolation	Advanced Extrapolation	
Phantom	Modular Flat Phantom V5.0	
Distance Dipole Center - TSL	10 mm	with Spacer
Zoom Scan Resolution	dx, dy = 4.0 mm, dz = 1.4 mm	Graded Ratio = 1.4 (Z direction)
Frequency	5200 MHz ± 1 MHz 5250 MHz ± 1 MHz 5300 MHz ± 1 MHz 5500 MHz ± 1 MHz 5600 MHz ± 1 MHz 5750 MHz ± 1 MHz 5800 MHz ± 1 MHz	

### Head TSL parameters at 5200 MHz

The following parameters and calculations were applied.

	Temperature	Permittivity	Conductivity
Nominal Head TSL parameters	22.0 °C	36.0	4.66 mho/m
Measured Head TSL parameters	(22.0 ± 0.2) °C	35.2 ± 6 %	4.51 mho/m ± 6 %
Head TSL temperature change during test	< 0.5 °C	----	----

### SAR result with Head TSL at 5200 MHz

SAR averaged over 1 cm <sup>3</sup> (1 g) of Head TSL	Condition	
SAR measured	100 mW input power	7.79 W/kg
SAR for nominal Head TSL parameters	normalized to 1W	77.5 W/kg ± 19.9 % (k=2)

SAR averaged over 10 cm <sup>3</sup> (10 g) of Head TSL	condition	
SAR measured	100 mW input power	2.25 W/kg
SAR for nominal Head TSL parameters	normalized to 1W	22.3 W/kg ± 19.5 % (k=2)

**Head TSL parameters at 5250 MHz**

The following parameters and calculations were applied.

	Temperature	Permittivity	Conductivity
Nominal Head TSL parameters	22.0 °C	35.9	4.71 mho/m
Measured Head TSL parameters	(22.0 ± 0.2) °C	35.2 ± 6 %	4.55 mho/m ± 6 %
Head TSL temperature change during test	< 0.5 °C	----	----

**SAR result with Head TSL at 5250 MHz**

SAR averaged over 1 cm <sup>3</sup> (1 g) of Head TSL	Condition	
SAR measured	100 mW input power	8.00 W/kg
SAR for nominal Head TSL parameters	normalized to 1W	79.6 W/kg ± 19.9 % (k=2)

SAR averaged over 10 cm <sup>3</sup> (10 g) of Head TSL	condition	
SAR measured	100 mW input power	2.31 W/kg
SAR for nominal Head TSL parameters	normalized to 1W	22.9 W/kg ± 19.5 % (k=2)

**Head TSL parameters at 5300 MHz**

The following parameters and calculations were applied.

	Temperature	Permittivity	Conductivity
Nominal Head TSL parameters	22.0 °C	35.9	4.76 mho/m
Measured Head TSL parameters	(22.0 ± 0.2) °C	35.1 ± 6 %	4.60 mho/m ± 6 %
Head TSL temperature change during test	< 0.5 °C	----	----

**SAR result with Head TSL at 5300 MHz**

SAR averaged over 1 cm <sup>3</sup> (1 g) of Head TSL	Condition	
SAR measured	100 mW input power	8.28 W/kg
SAR for nominal Head TSL parameters	normalized to 1W	82.3 W/kg ± 19.9 % (k=2)

SAR averaged over 10 cm <sup>3</sup> (10 g) of Head TSL	condition	
SAR measured	100 mW input power	2.39 W/kg
SAR for nominal Head TSL parameters	normalized to 1W	23.7 W/kg ± 19.5 % (k=2)

**Head TSL parameters at 5500 MHz**

The following parameters and calculations were applied.

	Temperature	Permittivity	Conductivity
Nominal Head TSL parameters	22.0 °C	35.6	4.96 mho/m
Measured Head TSL parameters	(22.0 ± 0.2) °C	34.8 ± 6 %	4.79 mho/m ± 6 %
Head TSL temperature change during test	< 0.5 °C	----	----

**SAR result with Head TSL at 5500 MHz**

SAR averaged over 1 cm <sup>3</sup> (1 g) of Head TSL	Condition	
SAR measured	100 mW input power	8.10 W/kg
SAR for nominal Head TSL parameters	normalized to 1W	80.5 W/kg ± 19.9 % (k=2)

SAR averaged over 10 cm <sup>3</sup> (10 g) of Head TSL	condition	
SAR measured	100 mW input power	2.32 W/kg
SAR for nominal Head TSL parameters	normalized to 1W	23.0 W/kg ± 19.5 % (k=2)

**Head TSL parameters at 5600 MHz**

The following parameters and calculations were applied.

	Temperature	Permittivity	Conductivity
Nominal Head TSL parameters	22.0 °C	35.5	5.07 mho/m
Measured Head TSL parameters	(22.0 ± 0.2) °C	34.7 ± 6 %	4.90 mho/m ± 6 %
Head TSL temperature change during test	< 0.5 °C	----	----

**SAR result with Head TSL at 5600 MHz**

SAR averaged over 1 cm <sup>3</sup> (1 g) of Head TSL	Condition	
SAR measured	100 mW input power	8.42 W/kg
SAR for nominal Head TSL parameters	normalized to 1W	83.7 W/kg ± 19.9 % (k=2)

SAR averaged over 10 cm <sup>3</sup> (10 g) of Head TSL	condition	
SAR measured	100 mW input power	2.43 W/kg
SAR for nominal Head TSL parameters	normalized to 1W	24.1 W/kg ± 19.5 % (k=2)

**Head TSL parameters at 5750 MHz**

The following parameters and calculations were applied.

	Temperature	Permittivity	Conductivity
Nominal Head TSL parameters	22.0 °C	35.4	5.22 mho/m
Measured Head TSL parameters	(22.0 ± 0.2) °C	34.5 ± 6 %	5.05 mho/m ± 6 %
Head TSL temperature change during test	< 0.5 °C	----	----

**SAR result with Head TSL at 5750 MHz**

SAR averaged over 1 cm <sup>3</sup> (1 g) of Head TSL	Condition	
SAR measured	100 mW input power	7.96 W/kg
SAR for nominal Head TSL parameters	normalized to 1W	79.1 W/kg ± 19.9 % (k=2)

SAR averaged over 10 cm <sup>3</sup> (10 g) of Head TSL	condition	
SAR measured	100 mW input power	2.28 W/kg
SAR for nominal Head TSL parameters	normalized to 1W	22.6 W/kg ± 19.5 % (k=2)

**Head TSL parameters at 5800 MHz**

The following parameters and calculations were applied.

	Temperature	Permittivity	Conductivity
Nominal Head TSL parameters	22.0 °C	35.3	5.27 mho/m
Measured Head TSL parameters	(22.0 ± 0.2) °C	34.4 ± 6 %	5.10 mho/m ± 6 %
Head TSL temperature change during test	< 0.5 °C	----	----

**SAR result with Head TSL at 5800 MHz**

SAR averaged over 1 cm <sup>3</sup> (1 g) of Head TSL	Condition	
SAR measured	100 mW input power	7.99 W/kg
SAR for nominal Head TSL parameters	normalized to 1W	79.4 W/kg ± 19.9 % (k=2)

SAR averaged over 10 cm <sup>3</sup> (10 g) of Head TSL	condition	
SAR measured	100 mW input power	2.29 W/kg
SAR for nominal Head TSL parameters	normalized to 1W	22.7 W/kg ± 19.5 % (k=2)

**Body TSL parameters at 5250 MHz**

The following parameters and calculations were applied.

	Temperature	Permittivity	Conductivity
Nominal Body TSL parameters	22.0 °C	48.9	5.36 mho/m
Measured Body TSL parameters	(22.0 ± 0.2) °C	47.0 ± 6 %	5.44 mho/m ± 6 %
Body TSL temperature change during test	< 0.5 °C	----	----

**SAR result with Body TSL at 5250 MHz**

SAR averaged over 1 cm <sup>3</sup> (1 g) of Body TSL	Condition	
SAR measured	100 mW input power	7.36 W/kg
SAR for nominal Body TSL parameters	normalized to 1W	73.0 W/kg ± 19.9 % (k=2)

SAR averaged over 10 cm <sup>3</sup> (10 g) of Body TSL	condition	
SAR measured	100 mW input power	2.09 W/kg
SAR for nominal Body TSL parameters	normalized to 1W	20.7 W/kg ± 19.5 % (k=2)

**Body TSL parameters at 5600 MHz**

The following parameters and calculations were applied.

	Temperature	Permittivity	Conductivity
Nominal Body TSL parameters	22.0 °C	48.5	5.77 mho/m
Measured Body TSL parameters	(22.0 ± 0.2) °C	46.4 ± 6 %	5.91 mho/m ± 6 %
Body TSL temperature change during test	< 0.5 °C	----	----

**SAR result with Body TSL at 5600 MHz**

SAR averaged over 1 cm <sup>3</sup> (1 g) of Body TSL	Condition	
SAR measured	100 mW input power	7.82 W/kg
SAR for nominal Body TSL parameters	normalized to 1W	77.6 W/kg ± 19.9 % (k=2)

SAR averaged over 10 cm <sup>3</sup> (10 g) of Body TSL	condition	
SAR measured	100 mW input power	2.21 W/kg
SAR for nominal Body TSL parameters	normalized to 1W	21.9 W/kg ± 19.5 % (k=2)

**Body TSL parameters at 5750 MHz**

The following parameters and calculations were applied.

	Temperature	Permittivity	Conductivity
Nominal Body TSL parameters	22.0 °C	48.3	5.94 mho/m
Measured Body TSL parameters	(22.0 ± 0.2) °C	46.1 ± 6 %	6.12 mho/m ± 6 %
Body TSL temperature change during test	< 0.5 °C	----	----

**SAR result with Body TSL at 5750 MHz**

SAR averaged over 1 cm <sup>3</sup> (1 g) of Body TSL	Condition	
SAR measured	100 mW input power	7.39 W/kg
SAR for nominal Body TSL parameters	normalized to 1W	73.3 W/kg ± 19.9 % (k=2)

SAR averaged over 10 cm <sup>3</sup> (10 g) of Body TSL	condition	
SAR measured	100 mW input power	2.07 W/kg
SAR for nominal Body TSL parameters	normalized to 1W	20.5 W/kg ± 19.5 % (k=2)



Appendix (Additional assessments outside the scope of SCS 0108)

Antenna Parameters with Head TSL at 5200 MHz

Impedance, transformed to feed point	49.4 $\Omega$ - 9.7 j $\Omega$
Return Loss	- 20.2 dB

Antenna Parameters with Head TSL at 5250 MHz

Impedance, transformed to feed point	49.4 $\Omega$ - 5.7 j $\Omega$
Return Loss	- 24.7 dB

Antenna Parameters with Head TSL at 5300 MHz

Impedance, transformed to feed point	51.7 $\Omega$ - 3.6 j $\Omega$
Return Loss	- 28.3 dB

Antenna Parameters with Head TSL at 5500 MHz

Impedance, transformed to feed point	49.2 $\Omega$ - 1.5 j $\Omega$
Return Loss	- 35.0 dB

Antenna Parameters with Head TSL at 5600 MHz

Impedance, transformed to feed point	54.8 $\Omega$ - 3.3 j $\Omega$
Return Loss	- 25.1 dB

Antenna Parameters with Head TSL at 5750 MHz

Impedance, transformed to feed point	57.5 $\Omega$ + 0.3 j $\Omega$
Return Loss	- 23.1 dB

Antenna Parameters with Head TSL at 5800 MHz

Impedance, transformed to feed point	56.0 $\Omega$ + 0.1 j $\Omega$
Return Loss	- 25.0 dB

**Antenna Parameters with Body TSL at 5250 MHz**

Impedance, transformed to feed point	51.8 $\Omega$ - 5.2 $j\Omega$
Return Loss	- 25.4 dB

**Antenna Parameters with Body TSL at 5600 MHz**

Impedance, transformed to feed point	54.4 $\Omega$ - 1.6 $j\Omega$
Return Loss	- 26.9 dB

**Antenna Parameters with Body TSL at 5750 MHz**

Impedance, transformed to feed point	58.8 $\Omega$ + 0.9 $j\Omega$
Return Loss	- 21.8 dB

**General Antenna Parameters and Design**

Electrical Delay (one direction)	1.199 ns
----------------------------------	----------

After long term use with 100W radiated power, only a slight warming of the dipole near the feedpoint can be measured.

The dipole is made of standard semirigid coaxial cable. The center conductor of the feeding line is directly connected to the second arm of the dipole. The antenna is therefore short-circuited for DC-signals. On some of the dipoles, small end caps are added to the dipole arms in order to improve matching when loaded according to the position as explained in the "Measurement Conditions" paragraph. The SAR data are not affected by this change. The overall dipole length is still according to the Standard.

No excessive force must be applied to the dipole arms, because they might bend or the soldered connections near the feedpoint may be damaged.

**Additional EUT Data**

Manufactured by	SPEAG
Manufactured on	February 05, 2004

## DASY5 Validation Report for Head TSL

Date: 20.01.2016

Test Laboratory: SPEAG, Zurich, Switzerland

**DUT: Dipole D5GHzV2; Type: D5GHzV2; Serial: D5GHzV2 - SN: 1020**

Communication System: UID 0 - CW; Frequency: 5200 MHz, Frequency: 5250 MHz, Frequency: 5300 MHz, Frequency: 5500 MHz, Frequency: 5600 MHz, Frequency: 5750 MHz, Frequency: 5800 MHz  
Medium parameters used:  $f = 5200$  MHz;  $\sigma = 4.51$  S/m;  $\epsilon_r = 35.2$ ;  $\rho = 1000$  kg/m<sup>3</sup>, Medium parameters used:  $f = 5250$  MHz;  $\sigma = 4.55$  S/m;  $\epsilon_r = 35.2$ ;  $\rho = 1000$  kg/m<sup>3</sup>, Medium parameters used:  $f = 5300$  MHz;  $\sigma = 4.6$  S/m;  $\epsilon_r = 35.1$ ;  $\rho = 1000$  kg/m<sup>3</sup>, Medium parameters used:  $f = 5500$  MHz;  $\sigma = 4.79$  S/m;  $\epsilon_r = 34.8$ ;  $\rho = 1000$  kg/m<sup>3</sup>, Medium parameters used:  $f = 5600$  MHz;  $\sigma = 4.9$  S/m;  $\epsilon_r = 34.7$ ;  $\rho = 1000$  kg/m<sup>3</sup>, Medium parameters used:  $f = 5750$  MHz;  $\sigma = 5.05$  S/m;  $\epsilon_r = 34.5$ ;  $\rho = 1000$  kg/m<sup>3</sup>, Medium parameters used:  $f = 5800$  MHz;  $\sigma = 5.1$  S/m;  $\epsilon_r = 34.4$ ;  $\rho = 1000$  kg/m<sup>3</sup>  
Phantom section: Flat Section  
Measurement Standard: DASY5 (IEE/IEC/ANSI C63.19-2011)

DASY52 Configuration:

- Probe: EX3DV4 - SN3503; ConvF(5.59, 5.59, 5.59); Calibrated: 31.12.2015, ConvF(5.53, 5.53, 5.53); Calibrated: 31.12.2015, ConvF(5.25, 5.25, 5.25); Calibrated: 31.12.2015, ConvF(5.18, 5.18, 5.18); Calibrated: 31.12.2015, ConvF(4.99, 4.99, 4.99); Calibrated: 31.12.2015, ConvF(4.95, 4.95, 4.95); Calibrated: 31.12.2015; ConvF(4.95, 4.95, 4.95); Calibrated: 31.12.2015;
- Sensor-Surface: 1.4mm (Mechanical Surface Detection)
- Electronics: DAE4 Sn601; Calibrated: 30.12.2015
- Phantom: Flat Phantom 5.0 (front); Type: QD000P50AA; Serial: 1001
- DASY52 52.8.8(1258); SEMCAD X 14.6.10(7372)

**Dipole Calibration for Head Tissue 2/Pin=100mW, dist=10mm, f=5200 MHz/Zoom Scan, dist=1.4mm (8x8x7)/Cube 0:** Measurement grid: dx=4mm, dy=4mm, dz=1.4mm  
Reference Value = 72.07 V/m; Power Drift = 0.01 dB  
Peak SAR (extrapolated) = 28.1 W/kg  
SAR(1 g) = 7.79 W/kg; SAR(10 g) = 2.25 W/kg  
Maximum value of SAR (measured) = 18.2 W/kg

**Dipole Calibration for Head Tissue 2/Pin=100mW, dist=10mm, f=5250 MHz/Zoom Scan, dist=1.4mm (8x8x7)/Cube 0:** Measurement grid: dx=4mm, dy=4mm, dz=1.4mm  
Reference Value = 72.72 V/m; Power Drift = 0.06 dB  
Peak SAR (extrapolated) = 29.2 W/kg  
SAR(1 g) = 8 W/kg; SAR(10 g) = 2.31 W/kg  
Maximum value of SAR (measured) = 18.7 W/kg

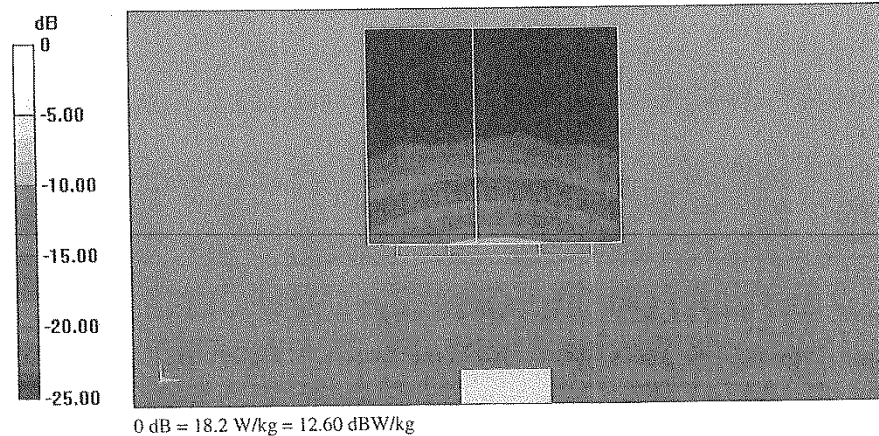
**Dipole Calibration for Head Tissue 2/Pin=100mW, dist=10mm, f=5300 MHz/Zoom Scan, dist=1.4mm (8x8x7)/Cube 0:** Measurement grid: dx=4mm, dy=4mm, dz=1.4mm  
Reference Value = 73.60 V/m; Power Drift = 0.09 dB  
Peak SAR (extrapolated) = 31.2 W/kg  
SAR(1 g) = 8.28 W/kg; SAR(10 g) = 2.39 W/kg  
Maximum value of SAR (measured) = 19.6 W/kg

Dipole Calibration for Head Tissue 2/Pin=100mW, dist=10mm, f=5500 MHz/Zoom Scan, dist=1.4mm  
(8x8x7)/Cube 0: Measurement grid: dx=4mm, dy=4mm, dz=1.4mm  
Reference Value = 72.02 V/m; Power Drift = 0.06 dB  
Peak SAR (extrapolated) = 32.0 W/kg  
SAR(1 g) = 8.1 W/kg; SAR(10 g) = 2.32 W/kg  
Maximum value of SAR (measured) = 19.7 W/kg

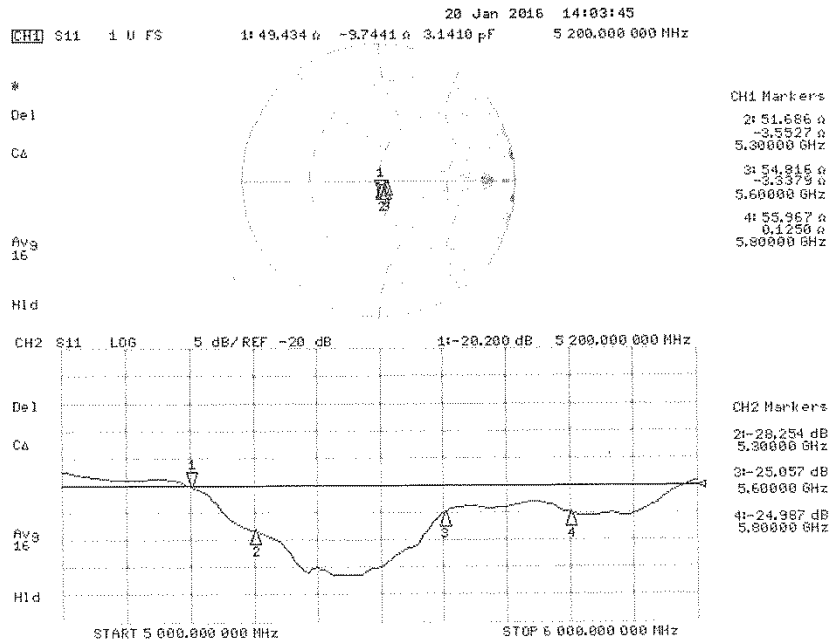
Dipole Calibration for Head Tissue 2/Pin=100mW, dist=10mm, f=5600 MHz/Zoom Scan, dist=1.4mm  
(8x8x7)/Cube 0: Measurement grid: dx=4mm, dy=4mm, dz=1.4mm  
Reference Value = 72.66 V/m; Power Drift = 0.02 dB  
Peak SAR (extrapolated) = 32.9 W/kg  
SAR(1 g) = 8.42 W/kg; SAR(10 g) = 2.43 W/kg  
Maximum value of SAR (measured) = 20.5 W/kg

Dipole Calibration for Head Tissue 2/Pin=100mW, dist=10mm, f=5750 MHz/Zoom Scan, dist=1.4mm  
(8x8x7)/Cube 0: Measurement grid: dx=4mm, dy=4mm, dz=1.4mm  
Reference Value = 70.61 V/m; Power Drift = 0.05 dB  
Peak SAR (extrapolated) = 32.4 W/kg  
SAR(1 g) = 7.96 W/kg; SAR(10 g) = 2.28 W/kg  
Maximum value of SAR (measured) = 19.5 W/kg

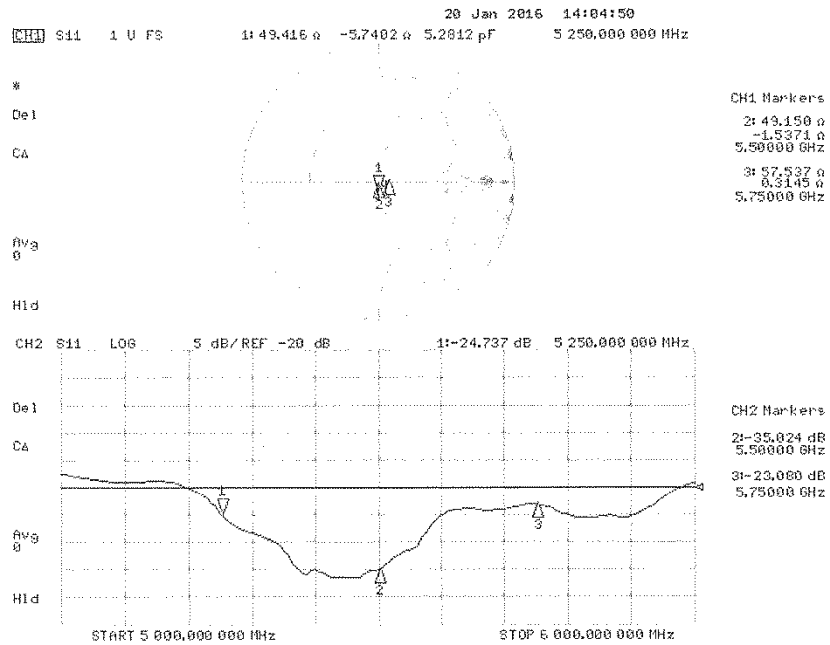
Dipole Calibration for Head Tissue 2/Pin=100mW, dist=10mm, f=5800 MHz/Zoom Scan, dist=1.4mm  
(8x8x7)/Cube 0: Measurement grid: dx=4mm, dy=4mm, dz=1.4mm  
Reference Value = 70.21 V/m; Power Drift = 0.07 dB  
Peak SAR (extrapolated) = 32.7 W/kg  
SAR(1 g) = 7.99 W/kg; SAR(10 g) = 2.29 W/kg  
Maximum value of SAR (measured) = 19.8 W/kg



Impedance Measurement Plot for Head TSL (5200, 5300, 5600, 5800)



Impedance Measurement Plot for Head TSL (5250, 5500, 5750)



## DASY5 Validation Report for Body TSL

Date: 13.01.2016

Test Laboratory: SPEAG, Zurich, Switzerland

**DUT: Dipole 5GHz; Type: D5GHzV2; Serial: D5GHzV2 - SN: 1020**

Communication System: UID 0 - CW; Frequency: 5250 MHz, Frequency: 5600 MHz, Frequency: 5750 MHz  
Medium parameters used:  $f = 5250$  MHz;  $\sigma = 5.44$  S/m;  $\epsilon_r = 47$ ;  $\rho = 1000$  kg/m<sup>3</sup>, Medium parameters used:  $f = 5600$  MHz;  $\sigma = 5.91$  S/m;  $\epsilon_r = 46.4$ ;  $\rho = 1000$  kg/m<sup>3</sup>, Medium parameters used:  $f = 5750$  MHz;  $\sigma = 6.12$  S/m;  $\epsilon_r = 46.1$ ;  $\rho = 1000$  kg/m<sup>3</sup>

Phantom section: Flat Section

Measurement Standard: DASY5 (IEEE/IEC/ANSI C63.19-2011)

DASY52 Configuration:

- Probe: EX3DV4 - SN3503; ConvF(4.85, 4.85, 4.85); Calibrated: 31.12.2015, ConvF(4.35, 4.35, 4.35); Calibrated: 31.12.2015, ConvF(4.3, 4.3, 4.3); Calibrated: 31.12.2015;
- Sensor-Surface: 1.4mm (Mechanical Surface Detection)
- Electronics: DAE4 Sn601; Calibrated: 30.12.2015
- Phantom: Flat Phantom 5.0 (back); Type: QD000P50AA; Serial: 1002
- DASY52 52.8.8(1258); SEMCAD X 14.6.10(7372)

### Dipole Calibration for Body Tissue/Pin=100mW, dist=10mm, f=5250 MHz/Zoom Scan, dist=1.4mm

(8x8x7)/Cube 0: Measurement grid: dx=4mm, dy=4mm, dz=1.4mm

Reference Value = 66.83 V/m; Power Drift = -0.04 dB

Peak SAR (extrapolated) = 27.5 W/kg

SAR(1 g) = 7.36 W/kg; SAR(10 g) = 2.09 W/kg

Maximum value of SAR (measured) = 17.4 W/kg

### Dipole Calibration for Body Tissue/Pin=100mW, dist=10mm, f=5600 MHz/Zoom Scan, dist=1.4mm

(8x8x7)/Cube 0: Measurement grid: dx=4mm, dy=4mm, dz=1.4mm

Reference Value = 67.07 V/m; Power Drift = -0.01 dB

Peak SAR (extrapolated) = 31.9 W/kg

SAR(1 g) = 7.82 W/kg; SAR(10 g) = 2.21 W/kg

Maximum value of SAR (measured) = 19.1 W/kg

### Dipole Calibration for Body Tissue/Pin=100mW, dist=10mm, f=5750 MHz/Zoom Scan, dist=1.4mm

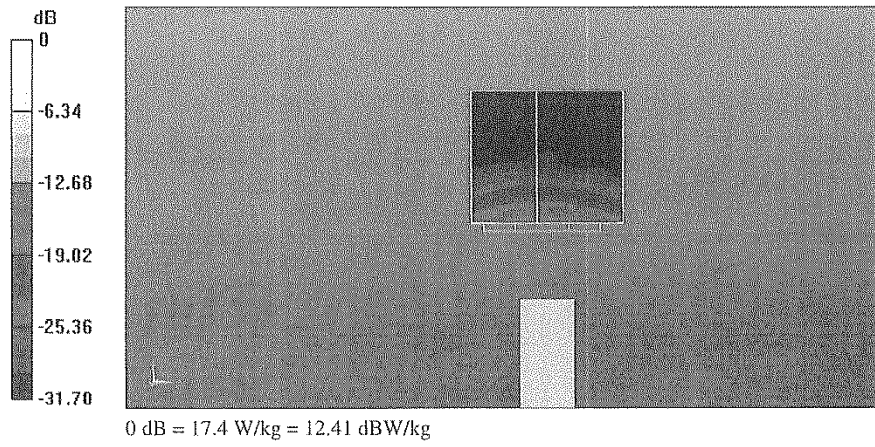
(8x8x7)/Cube 0: Measurement grid: dx=4mm, dy=4mm, dz=1.4mm

Reference Value = 64.16 V/m; Power Drift = 0.01 dB

Peak SAR (extrapolated) = 31.5 W/kg

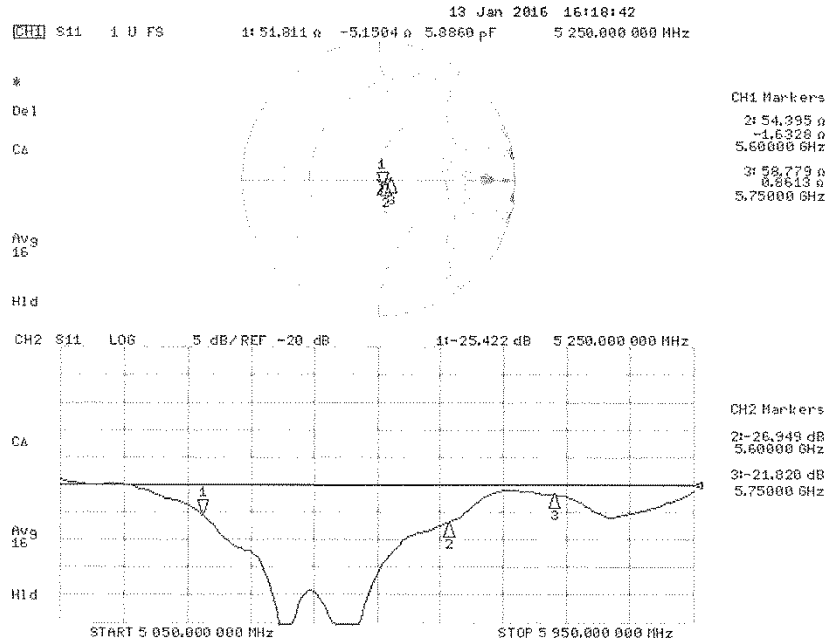
SAR(1 g) = 7.39 W/kg; SAR(10 g) = 2.07 W/kg

Maximum value of SAR (measured) = 18.3 W/kg





Impedance Measurement Plot for Body TSL



Dosimetric E-Field Probe Calibration Certificate (EX3DV4, S/N: 3825)

Calibration Laboratory of  
Schmid & Partner  
Engineering AG  
Zeughausstrasse 43, 8004 Zurich, Switzerland



S Schweizerischer Kalibrierdienst  
S Service suisse d'étalonnage  
S Servizio svizzero di taratura  
S Swiss Calibration Service

Accredited by the Swiss Accreditation Service (SAS)  
The Swiss Accreditation Service is one of the signatories to the EA  
Multilateral Agreement for the recognition of calibration certificates

Accreditation No.: SCS 0108

Client **UL Japan (Vitec)**

Certificate No: EX3-3825\_Dec15

**CALIBRATION CERTIFICATE**

Object EX3DV4 - SN:3825

Calibration procedure(s) QA CAL-01.v9, QA CAL-14.v4, QA CAL-23.v5, QA CAL-25.v6  
Calibration procedure for dosimetric E-field probes

Calibration date: December 11, 2015

This calibration certificate documents the traceability to national standards, which realize the physical units of measurements (SI).  
The measurements and the uncertainties with confidence probability are given on the following pages and are part of the certificate.

All calibrations have been conducted in the closed laboratory facility: environment temperature (22 ± 3)°C and humidity < 70%.

Calibration Equipment used (M&E critical for calibration)

Primary Standards	ID	Cal Date (Certificate No.)	Scheduled Calibration
Power meter E4419B	GB41293874	01-Apr-15 (No. 217-02128)	Mar-16
Power sensor E4412A	MY41498087	01-Apr-15 (No. 217-02128)	Mar-16
Reference 3 dB Attenuator	SN: S5054 (3c)	01-Apr-15 (No. 217-02129)	Mar-16
Reference 20 dB Attenuator	SN: S5277 (20x)	01-Apr-15 (No. 217-02132)	Mar-16
Reference 30 dB Attenuator	SN: S5129 (30x)	01-Apr-15 (No. 217-02133)	Mar-16
Reference Probe ES3DV2	SN: 3013	30-Dec-14 (No. ES3-3013_Dec14)	Dec-15
D4E4	SN: 660	14-Jan-15 (No. D4E4-660_Jan15)	Jan-16
Secondary Standards	ID	Check Date (in house)	Scheduled Check
RF generator HP 8648C	US3642U01700	4-Aug-99 (in house check Apr-13)	In house check: Apr-16
Network Analyzer HP 8753E	US37390585	18-Oct-01 (in house check Oct-15)	In house check: Oct-16

Calibrated by:	Name Lelf Klynsner	Function Laboratory Technician	Signature 
Approved by:	Katja Pokovic	Technical Manager	
			Issued: December 15, 2015

This calibration certificate shall not be reproduced except in full without written approval of the laboratory.

Calibration Laboratory of  
Schmid & Partner  
Engineering AG  
Zeughausstrasse 43, 8004 Zurich, Switzerland



SCS  
Schweizerischer Kalibrierdienst  
Service suisse d'étalonnage  
Servizio svizzero di taratura  
Swiss Calibration Service

Accredited by the Swiss Accreditation Service (SAS)

The Swiss Accreditation Service is one of the signatories to the EA  
Multilateral Agreement for the recognition of calibration certificates

Accreditation No.: SCS 0108

#### Glossary:

TSL	tissue simulating liquid
NORM <sub>x,y,z</sub>	sensitivity in free space
ConvF	sensitivity in TSL / NORM <sub>x,y,z</sub>
DCP	diode compression point
CF	crest factor (1/duty_cycle) of the RF signal
A, B, C, D	modulation dependent linearization parameters
Polarization $\varphi$	$\varphi$ rotation around probe axis
Polarization $\vartheta$	$\vartheta$ rotation around an axis that is in the plane normal to probe axis (at measurement center), i.e., $\vartheta = 0$ is normal to probe axis
Connector Angle	information used in DASY system to align probe sensor X to the robot coordinate system

#### Calibration is Performed According to the Following Standards:

- IEEE Std 1528-2013, "IEEE Recommended Practice for Determining the Peak Spatial-Averaged Specific Absorption Rate (SAR) in the Human Head from Wireless Communications Devices: Measurement Techniques", June 2013
- IEC 62209-1, "Procedure to measure the Specific Absorption Rate (SAR) for hand-held devices used in close proximity to the ear (frequency range of 300 MHz to 3 GHz)", February 2005
- IEC 62209-2, "Procedure to determine the Specific Absorption Rate (SAR) for wireless communication devices used in close proximity to the human body (frequency range of 30 MHz to 6 GHz)", March 2010
- KDB 865664, "SAR Measurement Requirements for 100 MHz to 6 GHz"

#### Methods Applied and Interpretation of Parameters:

- NORM<sub>x,y,z</sub>: Assessed for E-field polarization  $\vartheta = 0$  ( $f \leq 900$  MHz in TEM-cell;  $f > 1800$  MHz: R22 waveguide). NORM<sub>x,y,z</sub> are only intermediate values, i.e., the uncertainties of NORM<sub>x,y,z</sub> does not affect the  $E^2$ -field uncertainty inside TSL (see below ConvF).
- NORM(f)<sub>x,y,z</sub> = NORM<sub>x,y,z</sub> \* frequency\_response (see Frequency Response Chart). This linearization is implemented in DASY4 software versions later than 4.2. The uncertainty of the frequency response is included in the stated uncertainty of ConvF.
- DCP<sub>x,y,z</sub>: DCP are numerical linearization parameters assessed based on the data of power sweep with CW signal (no uncertainty required). DCP does not depend on frequency nor media.
- PAR: PAR is the Peak to Average Ratio that is not calibrated but determined based on the signal characteristics
- A<sub>x,y,z</sub>; B<sub>x,y,z</sub>; C<sub>x,y,z</sub>; D<sub>x,y,z</sub>; VR<sub>x,y,z</sub>: A, B, C, D are numerical linearization parameters assessed based on the data of power sweep for specific modulation signal. The parameters do not depend on frequency nor media. VR is the maximum calibration range expressed in RMS voltage across the diode.
- ConvF and Boundary Effect Parameters: Assessed in flat phantom using E-field (or Temperature Transfer Standard for  $f \leq 800$  MHz) and inside waveguide using analytical field distributions based on power measurements for  $f > 800$  MHz. The same setups are used for assessment of the parameters applied for boundary compensation (alpha, depth) of which typical uncertainty values are given. These parameters are used in DASY4 software to improve probe accuracy close to the boundary. The sensitivity in TSL corresponds to NORM<sub>x,y,z</sub> \* ConvF whereby the uncertainty corresponds to that given for ConvF. A frequency dependent ConvF is used in DASY version 4.4 and higher which allows extending the validity from  $\pm 50$  MHz to  $\pm 100$  MHz.
- Spherical isotropy (3D deviation from Isotropy): in a field of low gradients realized using a flat phantom exposed by a patch antenna.
- Sensor Offset: The sensor offset corresponds to the offset of virtual measurement center from the probe tip (on probe axis). No tolerance required.
- Connector Angle: The angle is assessed using the information gained by determining the NORM<sub>x</sub> (no uncertainty required).

EX3DV4 – SN:3825

December 11, 2015

# Probe EX3DV4

## SN:3825

Manufactured: September 6, 2011  
Calibrated: December 11, 2015

Calibrated for DASY/EASY Systems  
(Note: non-compatible with DASY2 system!)

EX3DV4--SN:3825

December 11, 2015

## DASY/EASY - Parameters of Probe: EX3DV4 - SN:3825

### Basic Calibration Parameters

	Sensor X	Sensor Y	Sensor Z	Unc (k=2)
Norm ( $\mu V/(V/m)^2$ ) <sup>A</sup>	0.43	0.39	0.43	$\pm 10.1\%$
DCP (mV) <sup>B</sup>	101.4	102.7	100.2	

### Modulation Calibration Parameters

UID	Communication System Name		A dB	B dB $\sqrt{\mu V}$	C	D dB	VR mV	Unc <sup>C</sup> (k=2)
0	CW	X	0.0	0.0	1.0	0.00	143.6	$\pm 2.7\%$
		Y	0.0	0.0	1.0		139.1	
		Z	0.0	0.0	1.0		153.8	

The reported uncertainty of measurement is stated as the standard uncertainty of measurement multiplied by the coverage factor k=2, which for a normal distribution corresponds to a coverage probability of approximately 95%.

<sup>A</sup> The uncertainties of Norm X,Y,Z do not affect the E<sup>2</sup>-field uncertainty inside TSL (see Pages 5 and 6).

<sup>B</sup> Numerical linearization parameter: uncertainty not required.

<sup>C</sup> Uncertainty is determined using the max. deviation from linear response applying rectangular distribution and is expressed for the square of the field value.

EX3DV4- SN:3825

December 11, 2015

## DASY/EASY - Parameters of Probe: EX3DV4 - SN:3825

### Calibration Parameter Determined in Head Tissue Simulating Media

f (MHz) <sup>c</sup>	Relative Permittivity <sup>f</sup>	Conductivity (S/m) <sup>f</sup>	ConvF X	ConvF Y	ConvF Z	Alpha <sup>g</sup>	Depth <sup>g</sup> (mm)	Unc (k=2)
750	41.9	0.89	9.79	9.79	9.79	0.23	1.25	± 12.0 %
835	41.5	0.90	9.49	9.49	9.49	0.21	1.30	± 12.0 %
900	41.5	0.97	9.23	9.23	9.23	0.24	1.24	± 12.0 %
1450	40.5	1.20	8.30	8.30	8.30	0.12	2.03	± 12.0 %
1750	40.1	1.37	8.18	8.18	8.18	0.24	0.95	± 12.0 %
1900	40.0	1.40	7.94	7.94	7.94	0.31	0.85	± 12.0 %
1950	40.0	1.40	7.69	7.69	7.69	0.31	0.85	± 12.0 %
2450	39.2	1.80	7.31	7.31	7.31	0.34	0.83	± 12.0 %
3500	37.9	2.91	6.91	6.91	6.91	0.28	1.25	± 13.1 %
5200	36.0	4.66	5.13	5.13	5.13	0.35	1.80	± 13.1 %
5250	35.9	4.71	5.06	5.06	5.06	0.35	1.80	± 13.1 %
5300	35.9	4.76	4.83	4.83	4.83	0.40	1.80	± 13.1 %
5500	35.6	4.96	4.60	4.60	4.60	0.45	1.80	± 13.1 %
5600	35.5	5.07	4.27	4.27	4.27	0.50	1.80	± 13.1 %
5750	35.4	5.22	4.44	4.44	4.44	0.50	1.80	± 13.1 %
5800	35.3	5.27	4.34	4.34	4.34	0.50	1.80	± 13.1 %

<sup>c</sup> Frequency validity above 300 MHz of ± 100 MHz only applies for DASY v4.4 and higher (see Page 2), else it is restricted to ± 50 MHz. The uncertainty is the RSS of the ConvF uncertainty at calibration frequency and the uncertainty for the indicated frequency band. Frequency validity below 300 MHz is ± 10, 25, 40, 50 and 70 MHz for ConvF assessments at 30, 64, 128, 150 and 220 MHz respectively. Above 5 GHz frequency validity can be extended to ± 110 MHz.

<sup>f</sup> At frequencies below 3 GHz, the validity of tissue parameters ( $\epsilon$  and  $\sigma$ ) can be relaxed to ± 10% if liquid compensation formula is applied to measured SAR values. At frequencies above 3 GHz, the validity of tissue parameters ( $\epsilon$  and  $\sigma$ ) is restricted to ± 5%. The uncertainty is the RSS of the ConvF uncertainty for indicated target tissue parameters.

<sup>g</sup> Alpha/Depth are determined during calibration. SPEAG warrants that the remaining deviation due to the boundary effect after compensation is always less than ± 1% for frequencies below 3 GHz and below ± 2% for frequencies between 3-6 GHz at any distance larger than half the probe tip diameter from the boundary.

EX3DV4- SN:3825

December 11, 2015

## DASY/EASY - Parameters of Probe: EX3DV4 - SN:3825

### Calibration Parameter Determined in Body Tissue Simulating Media

f (MHz) <sup>c</sup>	Relative Permittivity <sup>e</sup>	Conductivity (S/m) <sup>f</sup>	ConvF X	ConvF Y	ConvF Z	Alpha <sup>g</sup>	Depth <sup>g</sup> (mm)	Unc (k=2)
750	55.5	0.96	9.89	9.89	9.89	0.35	0.92	± 12.0 %
835	55.2	0.97	9.67	9.67	9.67	0.23	1.22	± 12.0 %
900	55.0	1.05	9.56	9.56	9.56	0.30	0.98	± 12.0 %
1450	54.0	1.30	8.18	8.18	8.18	0.24	1.09	± 12.0 %
1750	53.4	1.49	7.94	7.94	7.94	0.32	0.88	± 12.0 %
1900	53.3	1.52	7.66	7.66	7.66	0.23	1.10	± 12.0 %
1950	53.3	1.52	7.93	7.93	7.93	0.29	0.96	± 12.0 %
2450	52.7	1.95	7.29	7.29	7.29	0.32	0.85	± 12.0 %
3500	51.3	3.31	6.39	6.39	6.39	0.36	1.06	± 13.1 %
5250	48.9	5.36	4.25	4.25	4.25	0.50	1.90	± 13.1 %
5600	48.5	5.77	3.61	3.61	3.61	0.60	1.90	± 13.1 %
5750	48.3	5.94	3.85	3.85	3.85	0.60	1.90	± 13.1 %

<sup>c</sup> Frequency validity above 300 MHz of ± 100 MHz only applies for DASY v4.4 and higher (see Page 2), else it is restricted to ± 50 MHz. The uncertainty is the RSS of the ConvF uncertainty at calibration frequency and the uncertainty for the indicated frequency band. Frequency validity below 300 MHz is ± 10, 25, 40, 50 and 70 MHz for ConvF assessments at 30, 64, 128, 160 and 220 MHz respectively. Above 5 GHz frequency validity can be extended to ± 110 MHz.

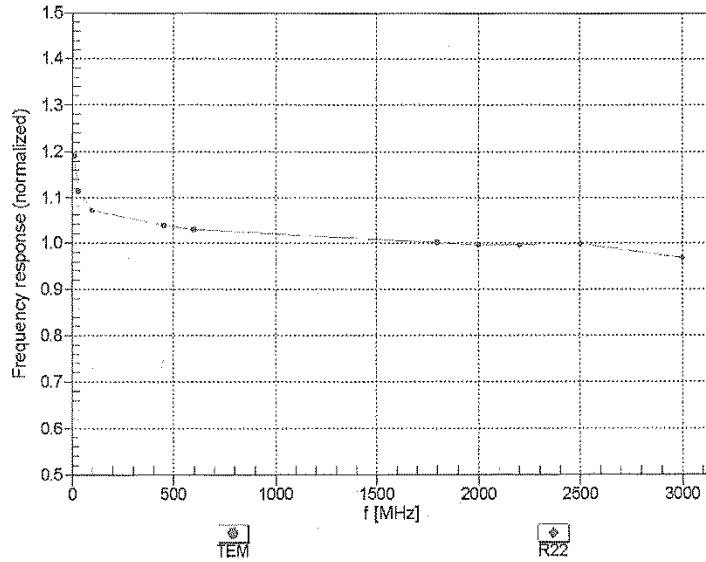
<sup>e</sup> At frequencies below 3 GHz, the validity of tissue parameters ( $\epsilon$  and  $\sigma$ ) can be relaxed to ± 10% if liquid compensation formula is applied to measured SAR values. At frequencies above 3 GHz, the validity of tissue parameters ( $\epsilon$  and  $\sigma$ ) is restricted to ± 5%. The uncertainty is the RSS of the ConvF uncertainty for indicated target tissue parameters.

<sup>g</sup> Alpha/Depth are determined during calibration. SPEAG warrants that the remaining deviation due to the boundary effect after compensation is always less than ± 1% for frequencies below 3 GHz and below ± 2% for frequencies between 3-6 GHz at any distance larger than half the probe tip diameter from the boundary.

EX3DV4- SN:3825

December 11, 2015

### Frequency Response of E-Field (TEM-Cell:ifi110 EXX, Waveguide: R22)



Uncertainty of Frequency Response of E-field:  $\pm 6.3\%$  (k=2)



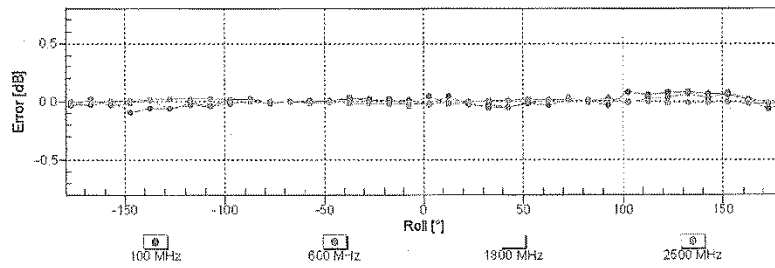
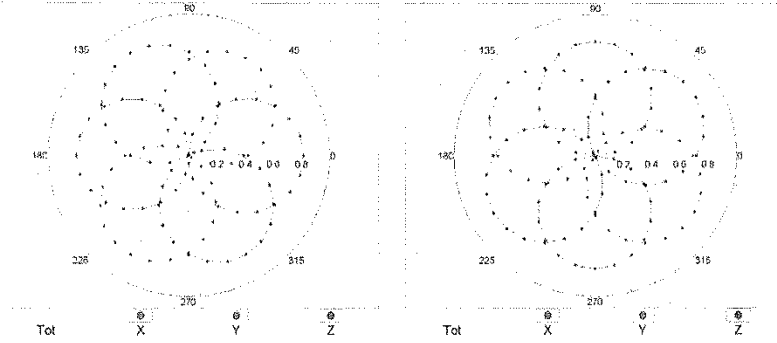
EX3DV4- SN:3825

December 11, 2015

Receiving Pattern ( $\phi$ ),  $\theta = 0^\circ$

f=600 MHz,TEM

f=1800 MHz,R22

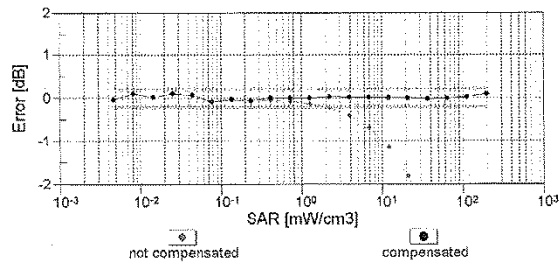
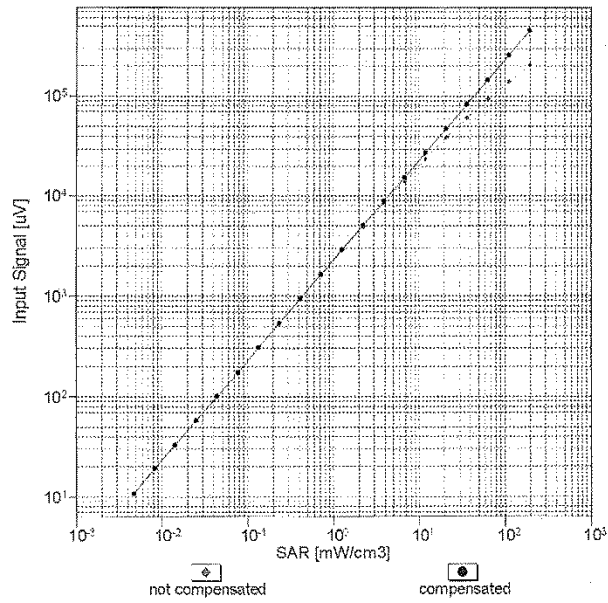


Uncertainty of Axial Isotropy Assessment:  $\pm 0.5\%$  ( $k=2$ )

EX3DV4- SN:3825

December 11, 2015

### Dynamic Range $f(\text{SAR}_{\text{head}})$ (TEM cell, $f_{\text{eval}} = 1900 \text{ MHz}$ )

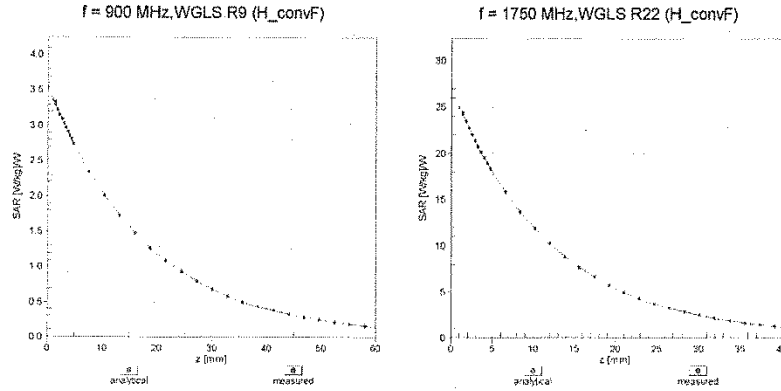


Uncertainty of Linearity Assessment:  $\pm 0.6\%$  (k=2)

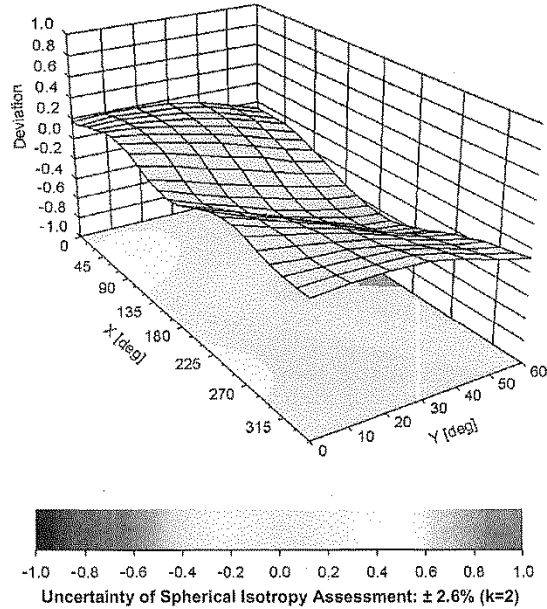
EX3DV4-SN:3825

December 11, 2015

### Conversion Factor Assessment



### Deviation from Isotropy in Liquid Error ( $\phi, \theta$ ), f = 900 MHz



EX3DV4-SN:3825

December 11, 2015

## DASY/EASY - Parameters of Probe: EX3DV4 - SN:3825

### Other Probe Parameters

Sensor Arrangement	Triangular
Connector Angle (°)	-27.3
Mechanical Surface Detection Mode	enabled
Optical Surface Detection Mode	disabled
Probe Overall Length	337 mm
Probe Body Diameter	10 mm
Tip Length	9 mm
Tip Diameter	2.5 mm
Probe Tip to Sensor X Calibration Point	1 mm
Probe Tip to Sensor Y Calibration Point	1 mm
Probe Tip to Sensor Z Calibration Point	1 mm
Recommended Measurement Distance from Surface	1.4 mm

**Dosimetric E-Field Probe Calibration Certificate (EX3DV4, S/N: 3922)**

Calibration Laboratory of  
 Schmid & Partner  
 Engineering AG  
 Zeughausstrasse 43, 8004 Zurich, Switzerland



S Schweizerischer Kalibrierdienst  
 C Service suisse d'étalonnage  
 S Servizio svizzero di taratura  
 S Swiss Calibration Service

Accredited by the Swiss Accreditation Service (SAS)  
 The Swiss Accreditation Service is one of the signatories to the EA  
 Multilateral Agreement for the recognition of calibration certificates

Accreditation No.: SCS 0108

Client **UL Japan (Vitec)**

Certificate No: **EX3-3922\_Jun15**

CALIBRATION CERTIFICATE	
Object	EX3DV4 - SN:3922
Calibration procedure(s)	QA CAL-01.v9, QA CAL-14.v4, QA CAL-23.v5, QA CAL-25.v6 Calibration procedure for dosimetric E-field probes
Calibration date:	June 17, 2015
This calibration certificate documents the traceability to national standards, which realize the physical units of measurements (SI). The measurements and the uncertainties with confidence probability are given on the following pages and are part of the certificate.	
All calibrations have been conducted in the closed laboratory facility: environment temperature (22 ± 3)°C and humidity < 70%.	
Calibration Equipment used (M&TE critical for calibration)	

Primary Standards	ID	Cal Date (Certificate No.)	Scheduled Calibration
Power meter E4419B	GB41293874	01-Apr-15 (No. 217-02128)	Mar-16
Power sensor E4412A	MY41498087	01-Apr-15 (No. 217-02128)	Mar-16
Reference 3 dB Attenuator	SN: S5054 (3c)	01-Apr-15 (No. 217-02129)	Mar-16
Reference 20 dB Attenuator	SN: S5277 (20x)	01-Apr-15 (No. 217-02132)	Mar-16
Reference 30 dB Attenuator	SN: S5129 (30b)	01-Apr-15 (No. 217-02133)	Mar-16
Reference Probe ES3DV2	SN: 3013	30-Dec-14 (No. ES3-3013_Dec14)	Dec-15
DAE4	SN: 660	14-Jan-15 (No. DAE4-660_Jan15)	Jan-16
Secondary Standards	ID	Check Date (in house)	Scheduled Check
RF generator HP 8648C	US3642U01700	4-Aug-99 (in house check Apr-13)	In house check: Apr-16
Network Analyzer HP 8753E	US37390585	18-Oct-01 (in house check Oct-14)	In house check: Oct-15

	Name	Function	Signature
Calibrated by:	Israe Elnaouq	Laboratory Technician	<i>Israe Elnaouq</i>
Approved by:	Katja Pokovic	Technical Manager	<i>Katja Pokovic</i>
			Issued: June 18, 2015
This calibration certificate shall not be reproduced except in full without written approval of the laboratory.			

Calibration Laboratory of  
Schmid & Partner  
Engineering AG  
Zeughausstrasse 43, 8004 Zurich, Switzerland



S Schweizerischer Kalibrierdienst  
S Service suisse d'étalonnage  
S Servizio svizzero di taratura  
S Swiss Calibration Service

Accredited by the Swiss Accreditation Service (SAS)  
The Swiss Accreditation Service is one of the signatories to the EA  
Multilateral Agreement for the recognition of calibration certificates

Accreditation No.: SCS 0108

#### Glossary:

TSL	tissue simulating liquid
NORM <sub>x,y,z</sub>	sensitivity in free space
ConvF	sensitivity in TSL / NORM <sub>x,y,z</sub>
DCP	diode compression point
CF	crest factor (1/duty_cycle) of the RF signal
A, B, C, D	modulation dependent linearization parameters
Polarization $\varphi$	$\varphi$ rotation around probe axis
Polarization $\theta$	$\theta$ rotation around an axis that is in the plane normal to probe axis (at measurement center), i.e., $\theta = 0$ is normal to probe axis
Connector Angle	information used in DASY system to align probe sensor X to the robot coordinate system

#### Calibration is Performed According to the Following Standards:

- IEEE Std 1528-2013, "IEEE Recommended Practice for Determining the Peak Spatial-Averaged Specific Absorption Rate (SAR) in the Human Head from Wireless Communications Devices: Measurement Techniques", June 2013
- IEC 62209-1, "Procedure to measure the Specific Absorption Rate (SAR) for hand-held devices used in close proximity to the ear (frequency range of 300 MHz to 3 GHz)", February 2005

#### Methods Applied and Interpretation of Parameters:

- NORM<sub>x,y,z</sub>**: Assessed for E-field polarization  $\theta = 0$  ( $f \leq 900$  MHz in TEM-cell;  $f > 1800$  MHz: R22 waveguide). NORM<sub>x,y,z</sub> are only intermediate values, i.e., the uncertainties of NORM<sub>x,y,z</sub> does not affect the E<sup>2</sup>-field uncertainty inside TSL (see below ConvF).
- NORM(f)<sub>x,y,z</sub> = NORM<sub>x,y,z</sub> \* frequency\_response** (see Frequency Response Chart). This linearization is implemented in DASY4 software versions later than 4.2. The uncertainty of the frequency response is included in the stated uncertainty of ConvF.
- DCP<sub>x,y,z</sub>**: DCP are numerical linearization parameters assessed based on the data of power sweep with CW signal (no uncertainty required). DCP does not depend on frequency nor media.
- PAR**: PAR is the Peak to Average Ratio that is not calibrated but determined based on the signal characteristics
- A<sub>x,y,z</sub>; B<sub>x,y,z</sub>; C<sub>x,y,z</sub>; D<sub>x,y,z</sub>; VR<sub>x,y,z</sub>; A, B, C, D** are numerical linearization parameters assessed based on the data of power sweep for specific modulation signal. The parameters do not depend on frequency nor media. VR is the maximum calibration range expressed in RMS voltage across the diode.
- ConvF and Boundary Effect Parameters**: Assessed in flat phantom using E-field (or Temperature Transfer Standard for  $f \leq 800$  MHz) and inside waveguide using analytical field distributions based on power measurements for  $f > 800$  MHz. The same setups are used for assessment of the parameters applied for boundary compensation (alpha, depth) of which typical uncertainty values are given. These parameters are used in DASY4 software to improve probe accuracy close to the boundary. The sensitivity in TSL corresponds to NORM<sub>x,y,z</sub> \* ConvF whereby the uncertainty corresponds to that given for ConvF. A frequency dependent ConvF is used in DASY version 4.4 and higher which allows extending the validity from  $\pm 50$  MHz to  $\pm 100$  MHz.
- Spherical isotropy (3D deviation from isotropy)**: in a field of low gradients realized using a flat phantom exposed by a patch antenna.
- Sensor Offset**: The sensor offset corresponds to the offset of virtual measurement center from the probe tip (on probe axis). No tolerance required.
- Connector Angle**: The angle is assessed using the information gained by determining the NORM<sub>x</sub> (no uncertainty required).

EX3DV4 – SN:3922

June 17, 2015

# Probe EX3DV4

## SN:3922

Manufactured: March 8, 2013  
Calibrated: June 17, 2015

Calibrated for DASY/EASY Systems  
(Note: non-compatible with DASY2 system!)

EX3DV4- SN:3922

June 17, 2015

## DASY/EASY - Parameters of Probe: EX3DV4 - SN:3922

### Basic Calibration Parameters

	Sensor X	Sensor Y	Sensor Z	Unc (k=2)
Norm ( $\mu\text{V}/(\text{V}/\text{m})^2$ ) <sup>A</sup>	0.37	0.45	0.50	$\pm 10.1 \%$
DCP (mV) <sup>B</sup>	104.8	103.1	100.7	

### Modulation Calibration Parameters

UID	Communication System Name		A dB	B dB $\sqrt{\mu\text{V}}$	C	D dB	VR mV	Unc <sup>C</sup> (k=2)
0	CW	X	0.0	0.0	1.0	0.00	134.1	$\pm 3.3 \%$
		Y	0.0	0.0	1.0		131.4	
		Z	0.0	0.0	1.0		141.4	

The reported uncertainty of measurement is stated as the standard uncertainty of measurement multiplied by the coverage factor k=2, which for a normal distribution corresponds to a coverage probability of approximately 95%.

<sup>A</sup> The uncertainties of NormX,Y,Z do not affect the E<sup>2</sup>-field uncertainty inside TSL (see Pages 5 and 6).

<sup>B</sup> Numerical linearization parameter: uncertainty not required.

<sup>C</sup> Uncertainty is determined using the max. deviation from linear response applying rectangular distribution and is expressed for the square of the field value.



EX3DV4- SN:3922

June 17, 2015

## DASY/EASY - Parameters of Probe: EX3DV4 - SN:3922

### Calibration Parameter Determined in Head Tissue Simulating Media

f (MHz) <sup>C</sup>	Relative Permittivity <sup>F</sup>	Conductivity (S/m) <sup>F</sup>	ConvF X	ConvF Y	ConvF Z	Alpha <sup>G</sup>	Depth <sup>G</sup> (mm)	Unct. (k=2)
2450	39.2	1.80	7.39	7.39	7.39	0.23	1.15	± 12.0 %
2600	39.0	1.96	7.20	7.20	7.20	0.34	0.95	± 12.0 %
5200	36.0	4.66	5.35	5.35	5.35	0.30	1.80	± 13.1 %
5250	35.9	4.71	5.10	5.10	5.10	0.30	1.80	± 13.1 %
5300	35.9	4.76	5.07	5.07	5.07	0.30	1.80	± 13.1 %
5500	35.6	4.96	4.85	4.85	4.85	0.35	1.80	± 13.1 %
5600	35.5	5.07	4.62	4.62	4.62	0.40	1.80	± 13.1 %
5750	35.4	5.22	4.75	4.75	4.75	0.40	1.80	± 13.1 %
5800	35.3	5.27	4.60	4.60	4.60	0.40	1.80	± 13.1 %

<sup>C</sup> Frequency validity above 300 MHz of ± 100 MHz only applies for DASY v4.4 and higher (see Page 2), else it is restricted to ± 50 MHz. The uncertainty is the RSS of the ConvF uncertainty at calibration frequency and the uncertainty for the indicated frequency band. Frequency validity below 300 MHz is ± 10, 25, 40, 50 and 70 MHz for ConvF assessments at 30, 64, 128, 150 and 220 MHz respectively. Above 5 GHz frequency validity can be extended to ± 110 MHz.

<sup>F</sup> At frequencies below 3 GHz, the validity of tissue parameters ( $\epsilon$  and  $\sigma$ ) can be relaxed to ± 10% if liquid compensation formula is applied to measured SAR values. At frequencies above 3 GHz, the validity of tissue parameters ( $\epsilon$  and  $\sigma$ ) is restricted to ± 5%. The uncertainty is the RSS of the ConvF uncertainty for indicated target tissue parameters.

<sup>G</sup> Alpha/Depth are determined during calibration. SPEAG warrants that the remaining deviation due to the boundary effect after compensation is always less than ± 1% for frequencies below 3 GHz and below ± 2% for frequencies between 3-6 GHz at any distance larger than half the probe tip diameter from the boundary.

EX3DV4- SN:3922

June 17, 2015

## DASY/EASY - Parameters of Probe: EX3DV4 - SN:3922

### Calibration Parameter Determined in Body Tissue Simulating Media

f (MHz) <sup>C</sup>	Relative Permittivity <sup>F</sup>	Conductivity (S/m) <sup>F</sup>	ConvF X	ConvF Y	ConvF Z	Alpha <sup>G</sup>	Depth <sup>H</sup> (mm)	Unct. (k=2)
2450	52.7	1.95	7.49	7.49	7.49	0.30	0.80	± 12.0 %
2600	52.5	2.16	7.28	7.28	7.28	0.30	0.80	± 12.0 %
5250	48.9	5.36	4.46	4.46	4.46	0.40	1.90	± 13.1 %
5800	48.5	5.77	3.87	3.87	3.87	0.50	1.90	± 13.1 %
5750	48.3	5.94	4.08	4.08	4.08	0.50	1.90	± 13.1 %

<sup>C</sup> Frequency validity above 300 MHz of ± 100 MHz only applies for DASY v4.4 and higher (see Page 2), else it is restricted to ± 50 MHz. The uncertainty is the RSS of the ConvF uncertainty at calibration frequency and the uncertainty for the indicated frequency band. Frequency validity below 300 MHz is ± 10, 25, 40, 60 and 70 MHz for ConvF assessments at 30, 64, 128, 150 and 220 MHz respectively. Above 5 GHz frequency validity can be extended to ± 110 MHz.

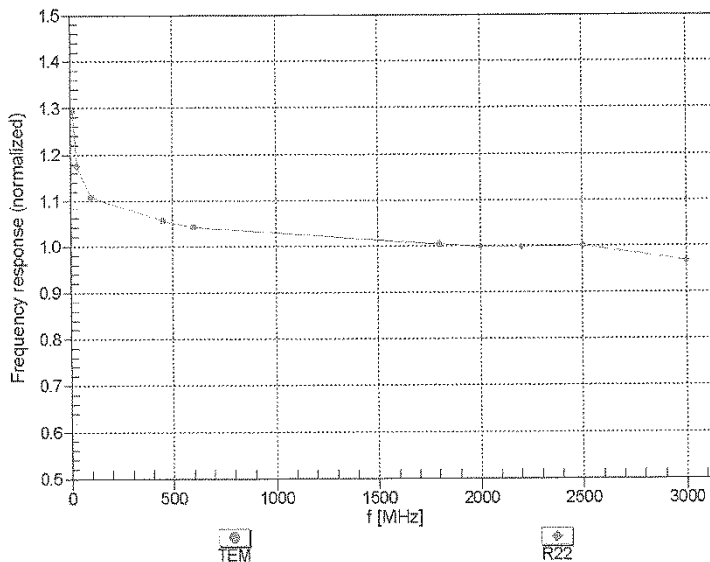
<sup>F</sup> At frequencies below 3 GHz, the validity of tissue parameters ( $\epsilon$  and  $\sigma$ ) can be relaxed to ± 10% if liquid compensation formula is applied to measured SAR values. At frequencies above 3 GHz, the validity of tissue parameters ( $\epsilon$  and  $\sigma$ ) is restricted to ± 5%. The uncertainty is the RSS of the ConvF uncertainty for indicated target tissue parameters.

<sup>G</sup> Alpha/Depth are determined during calibration. SPEAG warrants that the remaining deviation due to the boundary effect after compensation is always less than ± 1% for frequencies below 3 GHz and below ± 2% for frequencies between 3-6 GHz at any distance larger than half the probe tip diameter from the boundary.

EX3DV4- SN:3922

June 17, 2015

### Frequency Response of E-Field (TEM-Cell:ifi110 EXX, Waveguide: R22)

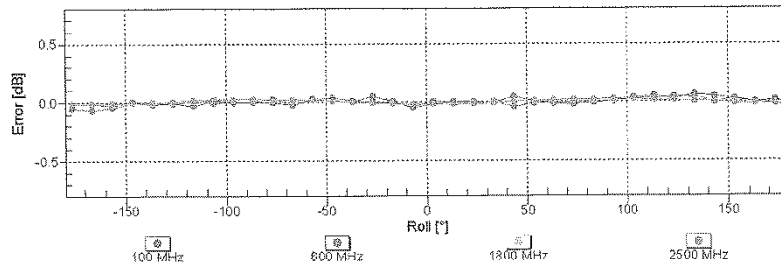
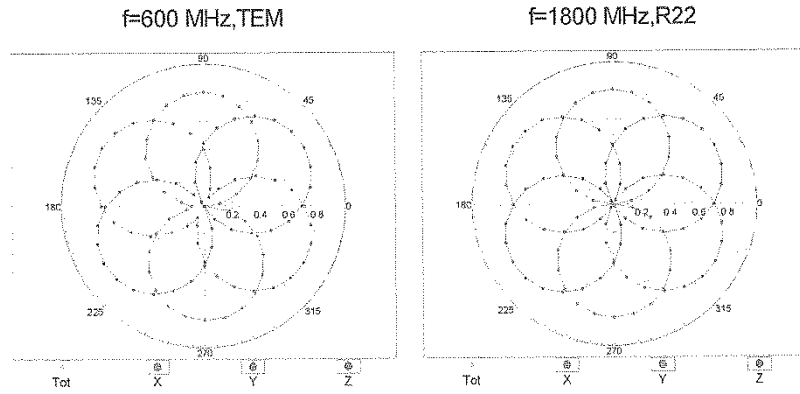


Uncertainty of Frequency Response of E-field:  $\pm 6.3\%$  ( $k=2$ )

EX3DV4- SN:3922

June 17, 2015

### Receiving Pattern ( $\phi$ ), $\theta = 0^\circ$

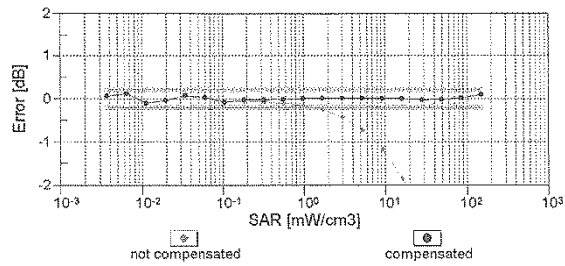
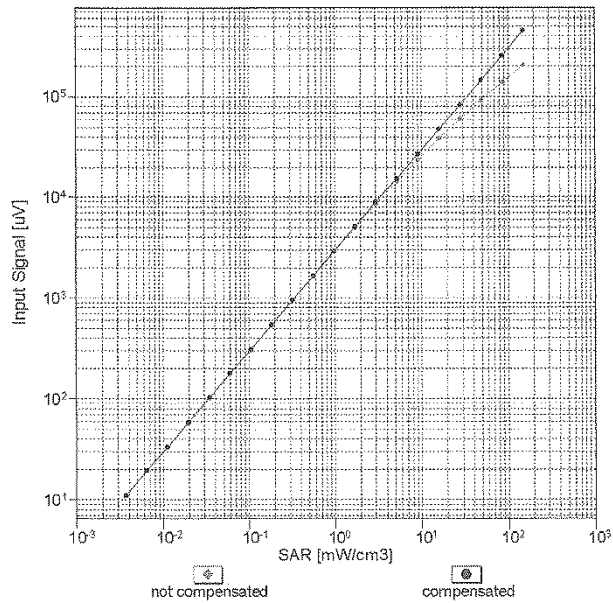


Uncertainty of Axial Isotropy Assessment:  $\pm 0.5\%$  ( $k=2$ )

EX3DV4- SN:3922

June 17, 2015

### Dynamic Range f(SAR<sub>head</sub>) (TEM cell , f<sub>eval</sub>= 1900 MHz)

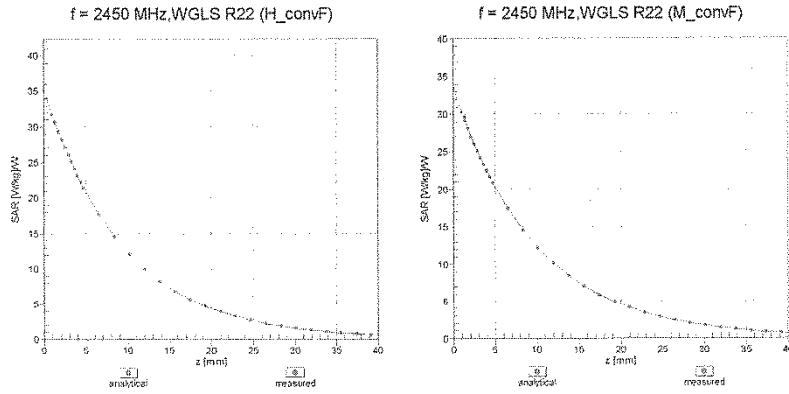


Uncertainty of Linearity Assessment:  $\pm 0.6\%$  (k=2)

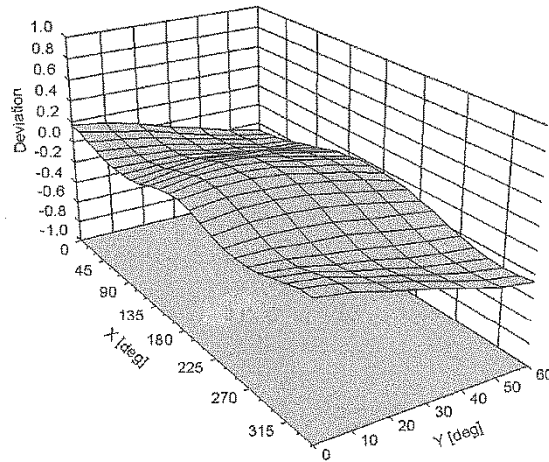
EX3DV4- SN:3922

June 17, 2015

### Conversion Factor Assessment



### Deviation from Isotropy in Liquid Error ( $\phi, \theta$ ), $f = 900$ MHz



Uncertainty of Spherical Isotropy Assessment:  $\pm 2.6\%$  ( $k=2$ )

EX3DV4- SN:3922

June 17, 2015

## DASY/EASY - Parameters of Probe: EX3DV4 - SN:3922

### Other Probe Parameters

Sensor Arrangement	Triangular
Connector Angle (°)	73.4
Mechanical Surface Detection Mode	enabled
Optical Surface Detection Mode	disabled
Probe Overall Length	337 mm
Probe Body Diameter	10 mm
Tip Length	9 mm
Tip Diameter	2.5 mm
Probe Tip to Sensor X Calibration Point	1 mm
Probe Tip to Sensor Y Calibration Point	1 mm
Probe Tip to Sensor Z Calibration Point	1 mm
Recommended Measurement Distance from Surface	1.4 mm

### System check uncertainty

The uncertainty budget has been determined for the DASY5 measurement system according to the SPEAG documents and is given in the following Table.

#### Repeatability Budget for System Check

<0.3 – 3GHz range Body>

Error Description	Uncertainty value ± %	Probability distribution	divisor	(ci) lg	Standard (lg)	vi or veff
<b>Measurement System</b>						
Probe calibration	± 1.8	Normal	1	1	± 1.8	∞
Axial isotropy of the probe	± 0.0	Rectangular	√3	1	± 0.0	∞
Spherical isotropy of the probe	± 0.0	Rectangular	√3	0	± 0.0	∞
Boundary effects	± 0.0	Rectangular	√3	1	± 0.0	∞
Probe linearity	± 0.0	Rectangular	√3	1	± 0.0	∞
Detection limit	± 0.0	Rectangular	√3	1	± 0.0	∞
Modulation response	± 0.0	Rectangular	√3	1	± 0.0	∞
Readout electronics	± 0.0	Normal	1	1	± 0.0	∞
Response time	± 0.0	Rectangular	√3	1	± 0.0	∞
Integration time	± 0.0	Rectangular	√3	1	± 0.0	∞
RF ambient Noise	± 0.0	Rectangular	√3	1	± 0.0	∞
RF ambient Reflections	± 0.0	Rectangular	√3	1	± 0.0	∞
Probe Positioner	± 0.4	Rectangular	√3	1	± 0.2	∞
Probe positioning	± 2.9	Rectangular	√3	1	± 1.7	∞
Max.SAR Eval.	± 0.0	Rectangular	√3	1	± 0.0	∞
<b>Test Sample Related</b>						
Deviation of wxp.dipole	± 0.0	Normal	√3	1	± 0.0	∞
Dipole Axis to Liquid Distance	± 2.0	Normal	√3	1	± 1.2	∞
Input power and SAR drift meas.	± 3.4	Rectangular	√3	1	± 2.0	∞
<b>Phantom and Setup</b>						
Phantom uncertainty	± 4.0	Rectangular	√3	1	± 2.3	∞
Algorithm for correcting SAR for deviations in permittivity and conductivity	± 1.9	Normal	1	1	± 1.9	∞
Liquid conductivity (meas.)	± 5.0	Rectangular	1	0.78	+ 3.9	∞
Liquid permittivity (meas.)	± 5.0	Rectangular	1	0.26	- 1.3	∞
Liquid conductivity - temp.unc (below 2deg.C.)	± 1.7	Rectangular	√3	0.78	± 0.8	∞
Liquid permittivity - temp.unc (below 2deg.C.)	± 0.3	Rectangular	√3	0.23	± 0.0	∞
<b>Combined Standard Uncertainty</b>					± 6.144	
<b>Expanded Uncertainty (k=2)</b>					± 12.3	

UL Japan, Inc.

Ise EMC Lab.

4383-326 Asama-cho, Ise-shi, Mie-ken 516-0021 JAPAN

Telephone: +81 596 24 8999

Facsimile: +81 596 24 8124



<3 – 6GHz range Body>

Error Description	Uncertainty value ± %	Probability distribution	divisor	(ci) lg	Standard (lg)	vi or v <sub>eff</sub>
<b>Measurement System</b>						
Probe calibration	± 1.8	Normal	1	1	± 1.8	∞
Axial isotropy of the probe	± 0.0	Rectangular	√3	1	± 0.0	∞
Spherical isotropy of the probe	± 0.0	Rectangular	√3	0	± 0.0	∞
Boundary effects	± 0.0	Rectangular	√3	1	± 0.0	∞
Probe linearity	± 0.0	Rectangular	√3	1	± 0.0	∞
Detection limit	± 0.0	Rectangular	√3	1	± 0.0	∞
Modulation response	± 0.0	Rectangular	√3	1	± 0.0	∞
Readout electronics	± 0.0	Normal	1	1	± 0.0	∞
Response time	± 0.0	Rectangular	√3	1	± 0.0	∞
Integration time	± 0.0	Rectangular	√3	1	± 0.0	∞
RF ambient Noise	± 0.0	Rectangular	√3	1	± 0.0	∞
RF ambient Reflections	± 0.0	Rectangular	√3	1	± 0.0	∞
Probe Positioner	± 0.8	Rectangular	√3	1	± 0.5	∞
Probe positioning	± 6.7	Rectangular	√3	1	± 3.9	∞
Max.SAR Eval.	± 0.0	Rectangular	√3	1	± 0.0	∞
<b>Test Sample Related</b>						
Deviation of wxp.dipole	± 0.0	Normal	√3	1	± 0.0	∞
Dipole Axis to Liquid Distance	± 2.0	Normal	√3	1	± 1.2	∞
Input power and SAR drift meas.	± 3.4	Rectangular	√3	1	± 2.0	∞
<b>Phantom and Setup</b>						
Phantom uncertainty	± 4.0	Rectangular	√3	1	± 2.3	∞
Algorithm for correcting SAR for deviations in permittivity and conductivity	± 1.9	Normal	1	1	± 1.9	∞
Liquid conductivity (meas.)	± 5.0	Rectangular	1	0.78	+ 3.9	∞
Liquid permittivity (meas.)	± 5.0	Rectangular	1	0.26	- 1.3	∞
Liquid conductivity - temp.unc (below 2deg.C.)	± 1.7	Rectangular	√3	0.78	± 0.8	∞
Liquid permittivity - temp.unc (below 2deg.C.)	± 0.3	Rectangular	√3	0.23	± 0.0	∞
<b>Combined Standard Uncertainty</b>					± 7.078	
<b>Expanded Uncertainty (k=2)</b>					± 14.2	