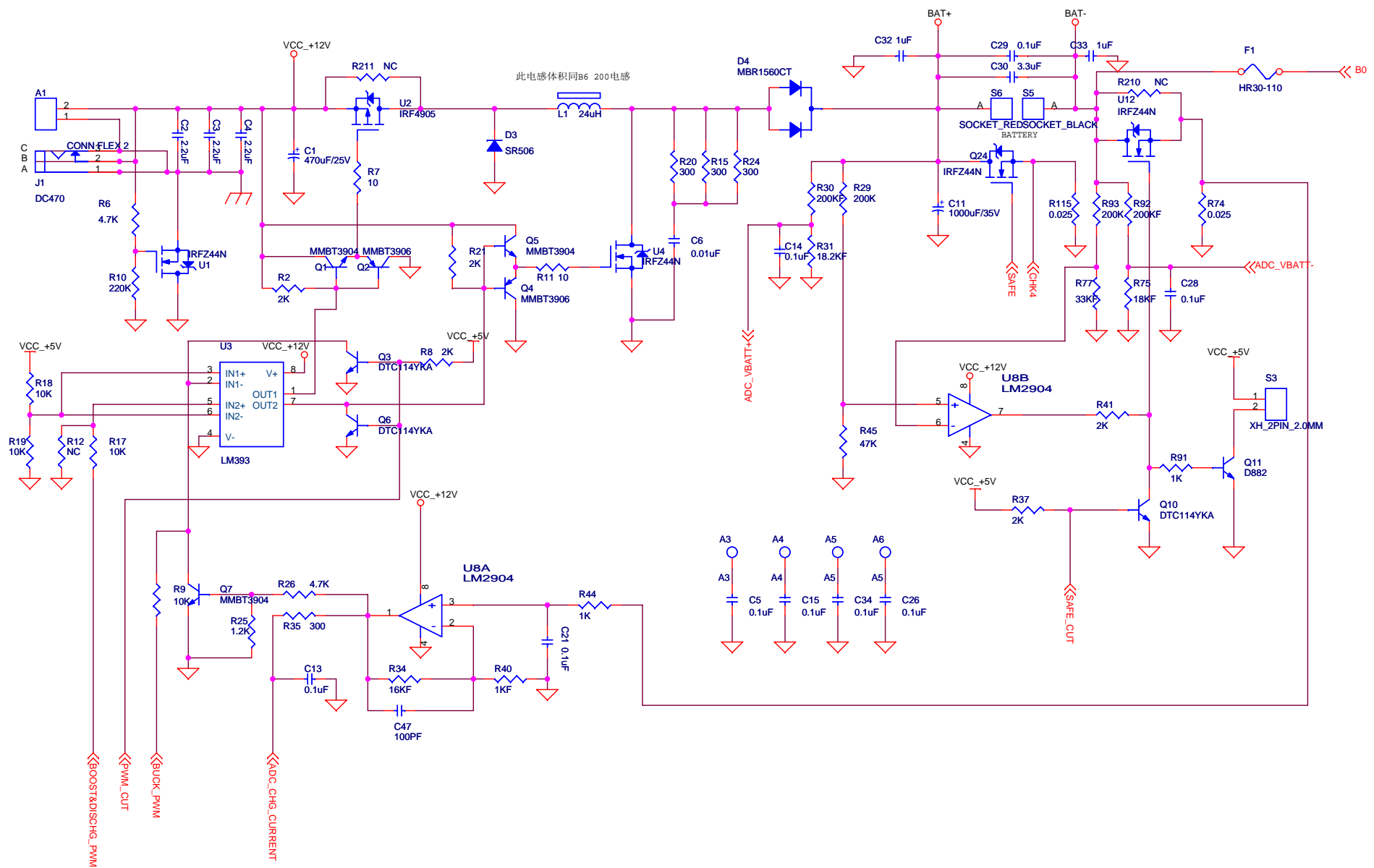

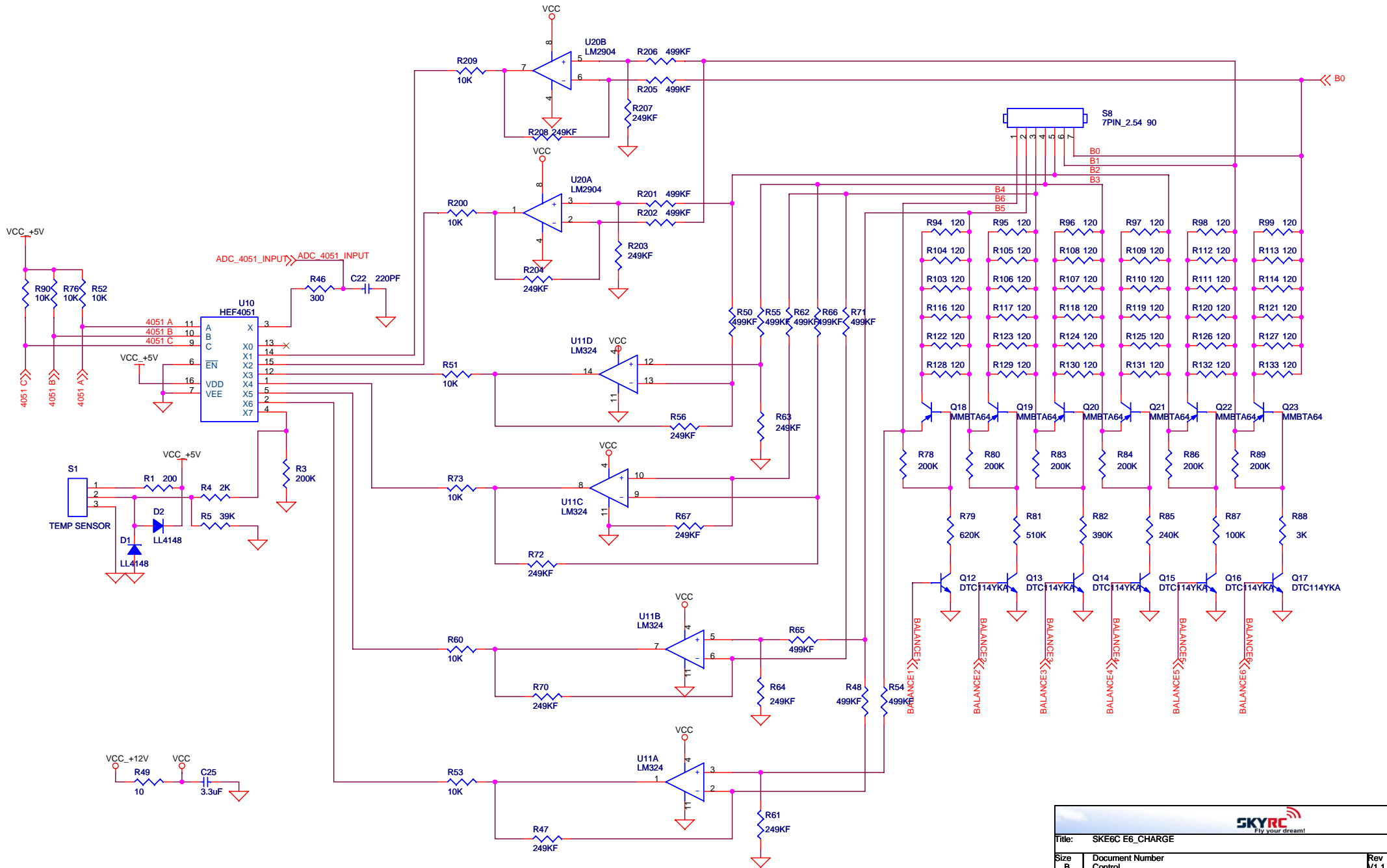



OUTPUT 15V4.3A/65W

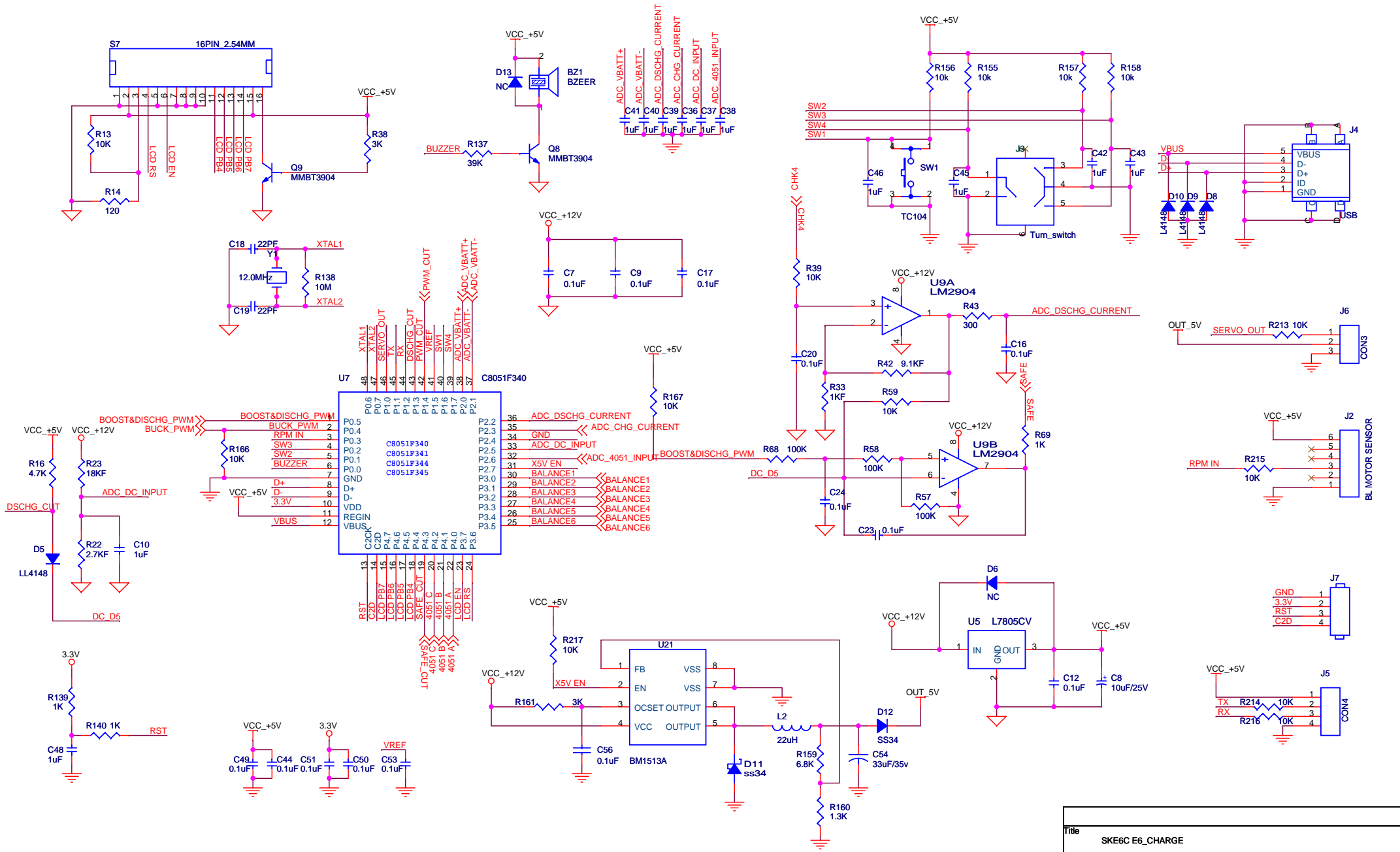
		
Title: CHOPIN		
Size B	Document Number <Doc>	Rev V1.0
Date: Tuesday, March 27, 2012	Sheet 1	of 1



		
Title: SKE6C E6_CHARGE		
Size B	Document Number Charger	Rev V1.1
Date: Friday, July 29, 2011	Sheet 1 of 1	

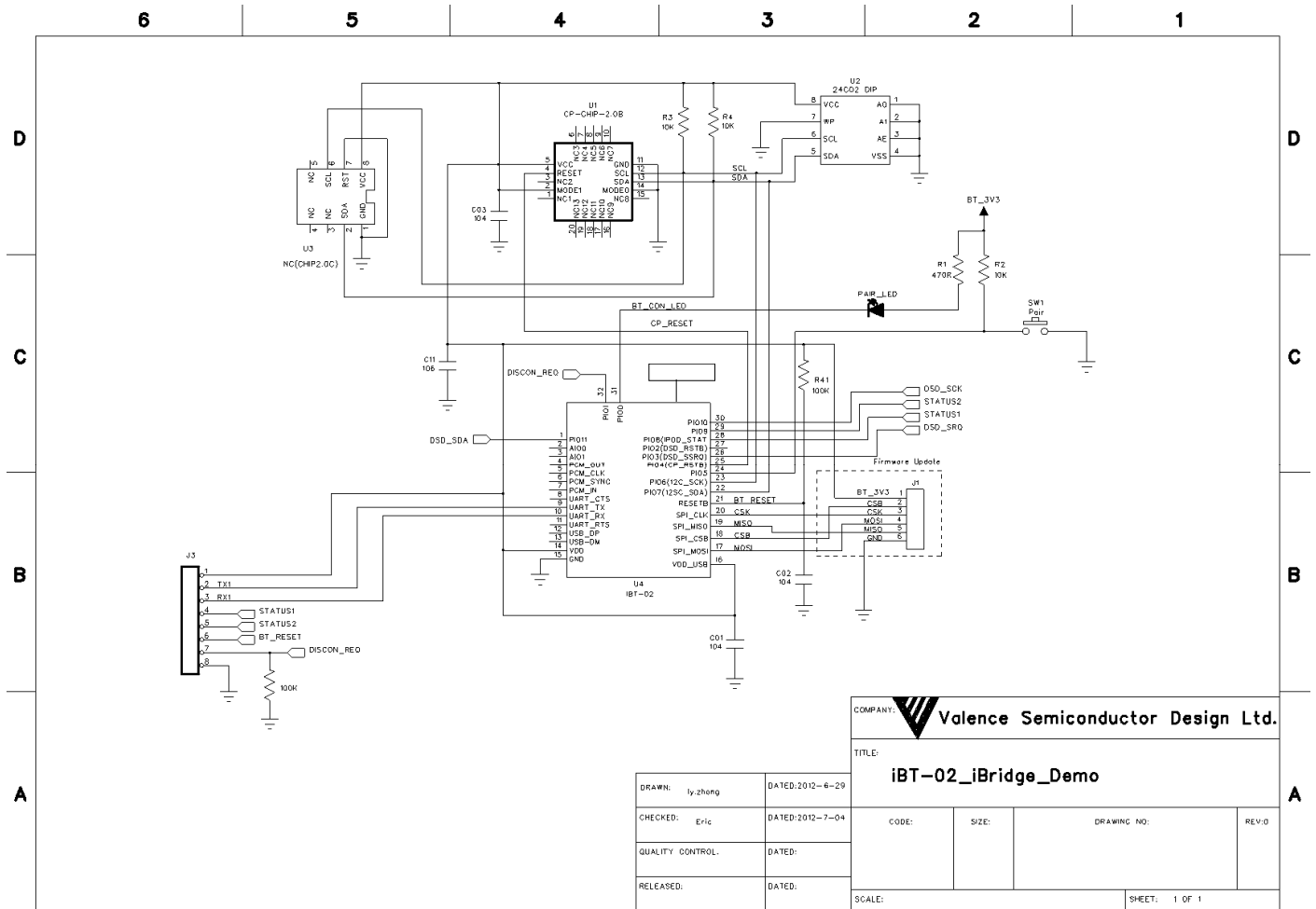


		
Title: SKE6C E6_CHARGE		
Size B	Document Number Control	Rev V1.1
Date: Wednesday, July 06, 2011	Sheet 1 of 1	



Title		
SKE6C E6_CHARGE		
Size	Document Number	Rev
B	MCU	V1.1
Date:	Friday, July 29, 2011	Sheet 1 of 1

6. Suggested Circuit for UART Application



COMPANY:  Valence Semiconductor Design Ltd.

TITLE: **iBT-02_iBridge_Demo**

DRAWN: ly.zheng	DATED: 2012-6-29
CHECKED: Eric	DATED: 2012-7-04
QUALITY CONTROL:	DATED:
RELEASED:	DATED:

CODE:	SIZE:	DRAWING NO:	REV:0
SCALE:			SHEET: 1 OF 1