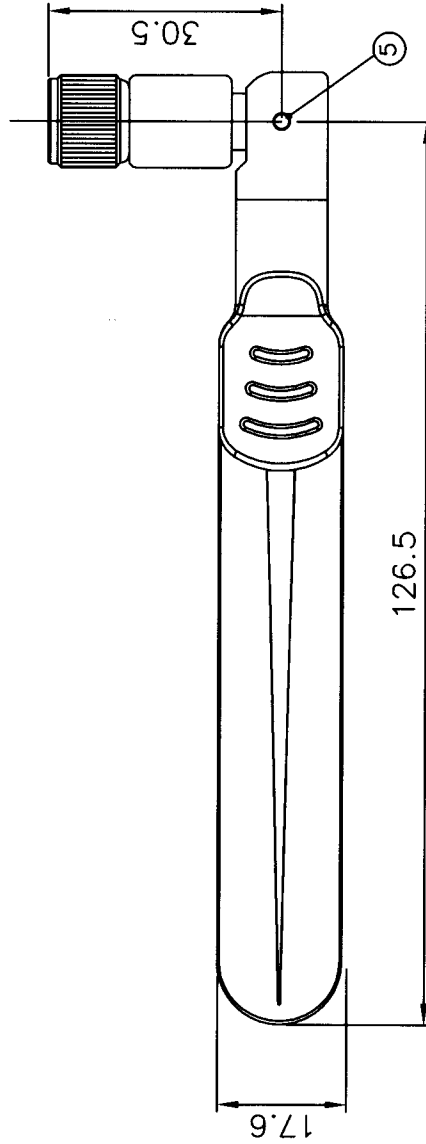
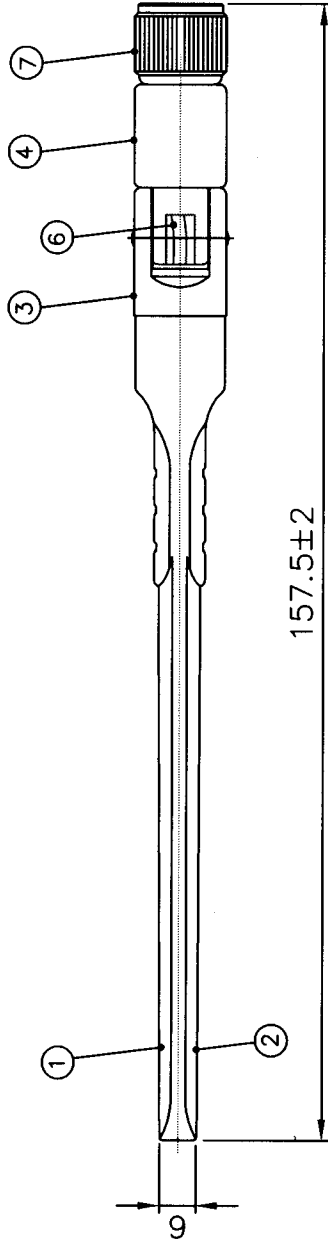
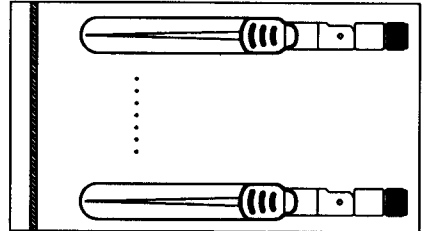


REV	DATE	DESCRIPTION
X1	6/24-2005	New Issue
X2	7/4-2005	Modify all



PE Bag
Shrink Line



NO	DESCRIPTION	QTY	REMARK
7	Connector	1	SMA Plug Straight Reverse
6	Cable	1	RG-178 Cable
5	Rivet	1	POM ; Black
4	Antenna Base	1	PBT Color : Black
3	Antenna Base	1	PC+ABS , Color : Black
2	Antenna Housing(S)	1	PC+ABS , Color : Black
1	Antenna Housing(M)	1	PC+ABS , Color : Black

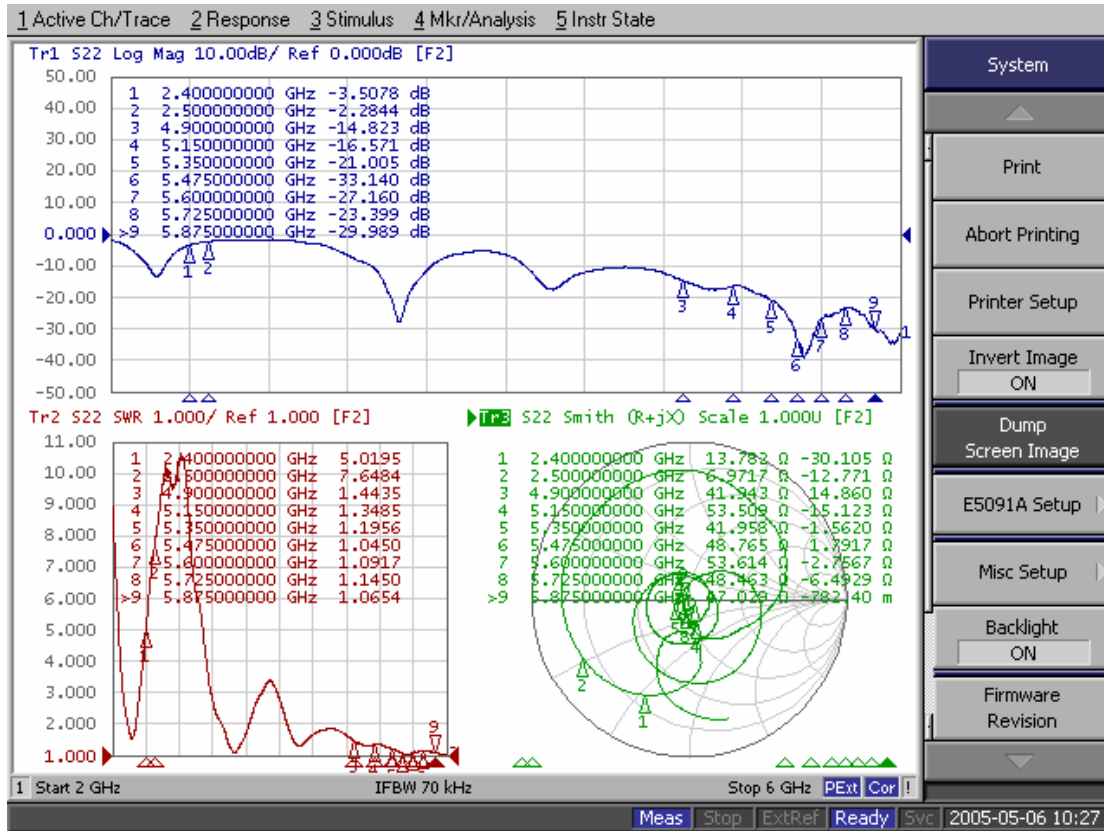
CUSTOMER:	Fire tide
PART NO :	
PARTNAME:	RF Antenna Assembly
W.Y/PNO :	C812-510012-A
REV	UNIT FILE :
X2	m/m SHEET :
	1/1

CUSTOMER'S SIGNATURE

Wha Yu
INDUSTRIAL CO.,LTD.
講裕實業股份有限公司

THIS DRAWING, AND ITS INHERENT DESIGN CONCEPTS, ARE THE PROPERTY OF WHA YU AND AS SUCH MAY NOT BE COPIED, REPRODUCED, OR GIVEN TO THIRD PARTIES WITHOUT THE WRITTEN CONSENT OF WHA YU.

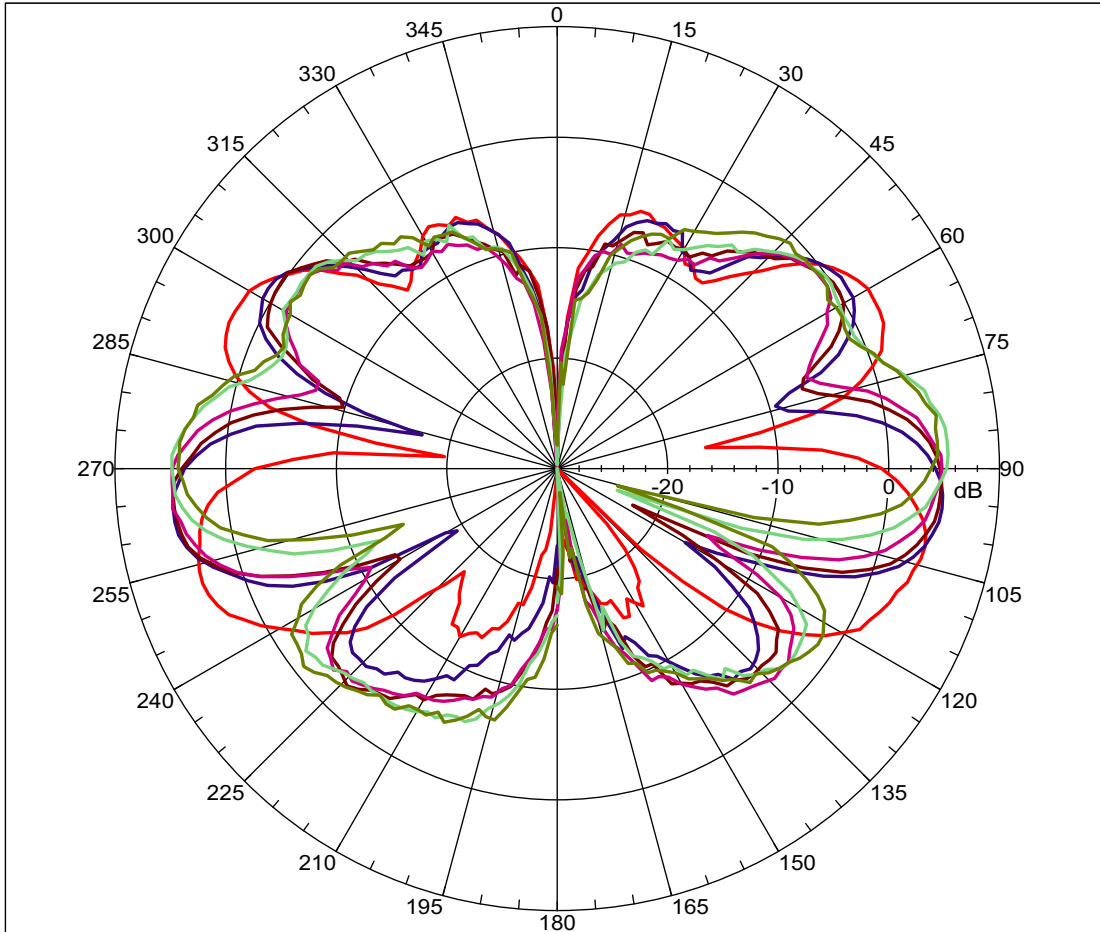
RF Antenna Assembly
P/NO :C812-510012-A SPEC : 5GHz





Far-field amplitude of C812-510012-A.nsi

4.900000 GHz 5.150000 GHz 5.250000 GHz
5.350000 GHz 5.725000 GHz 5.825000 GHz





Far-field amplitude of C812-510012-A.nsi

4.900000 GHz 5.150000 GHz 5.250000 GHz
5.350000 GHz 5.725000 GHz 5.825000 GHz

