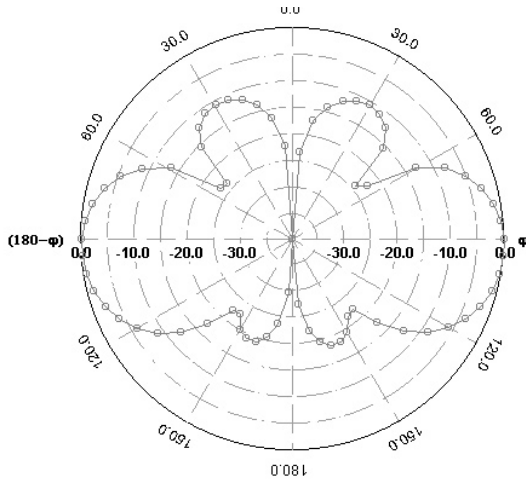
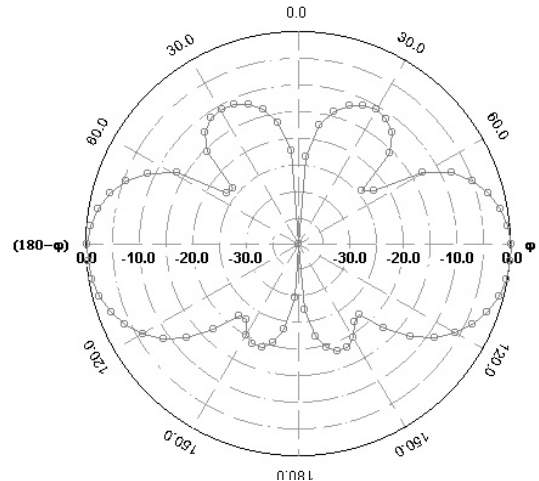


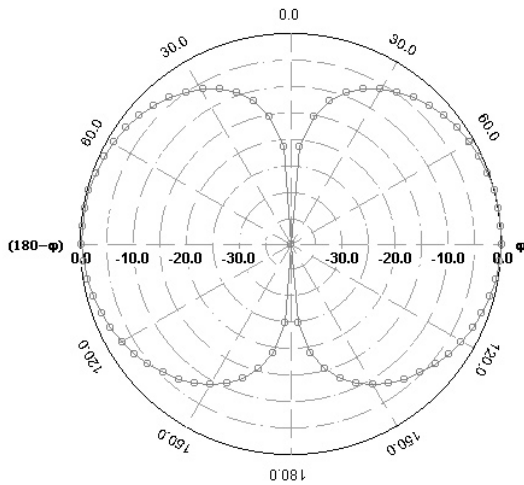
# WLAN & BASE STATION PATTERNS



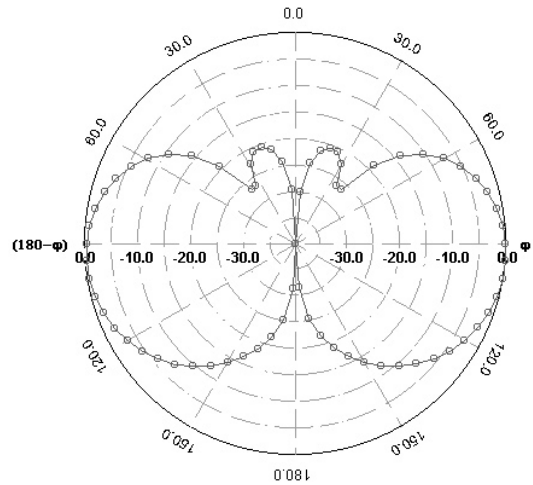
BSA SERIES (406-512 MHz)  
5/8 OVER 1/2 WAVE



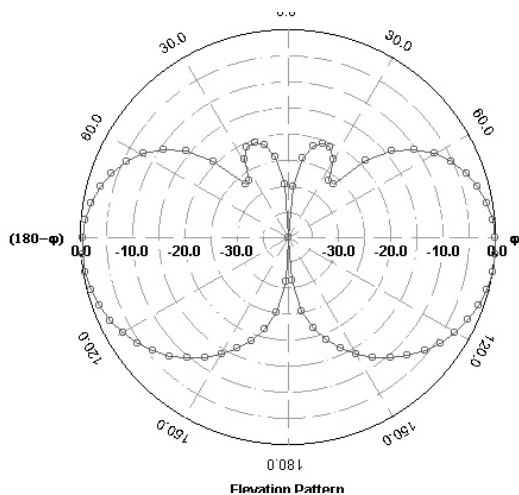
BSA 1/4 WAVE



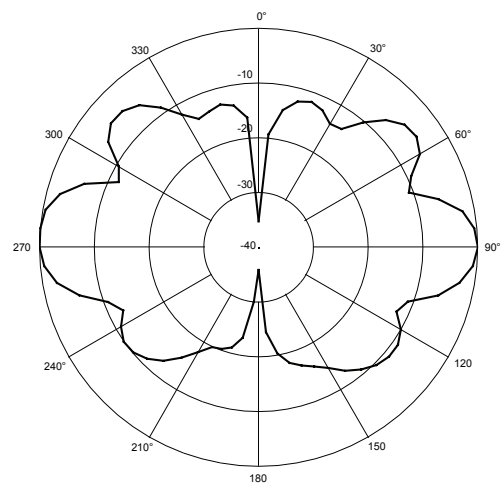
BSA SERIES (118-174 MHz)  
5/8 WAVE



FB2 & FB3 SERIES



FB35T SERIES (806-960 MHz)  
5/8 OVER 5/8 OVER 1/4 WAVE

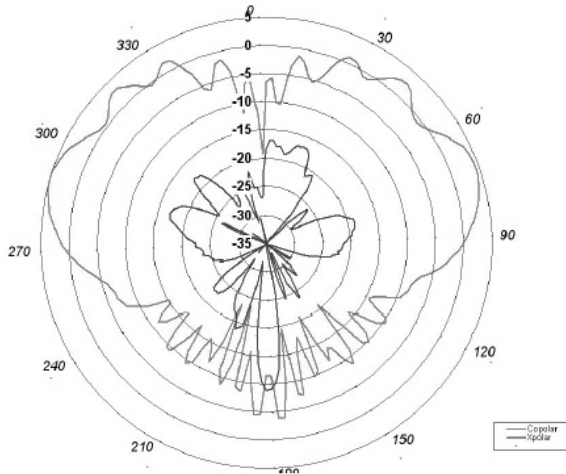


FB45T242400

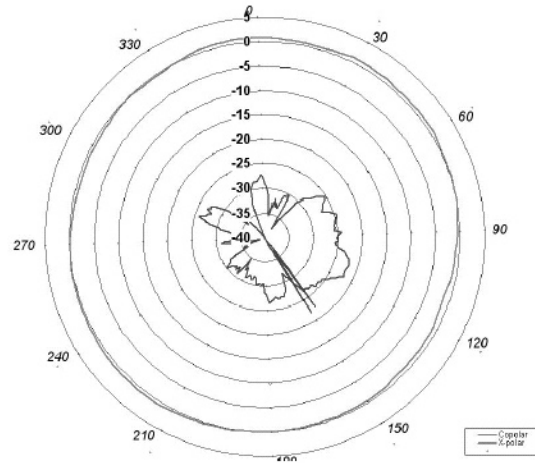
1 800 ANTENNA



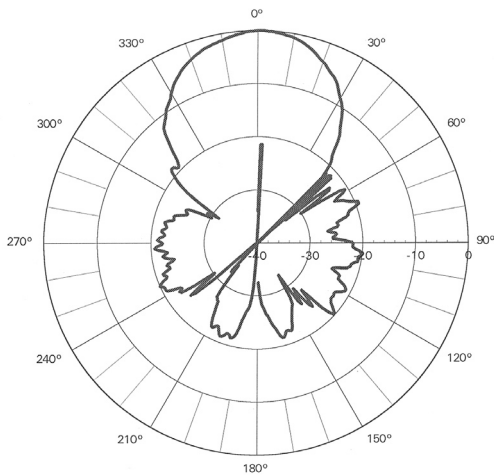
# WLAN & BASE STATION PATTERNS



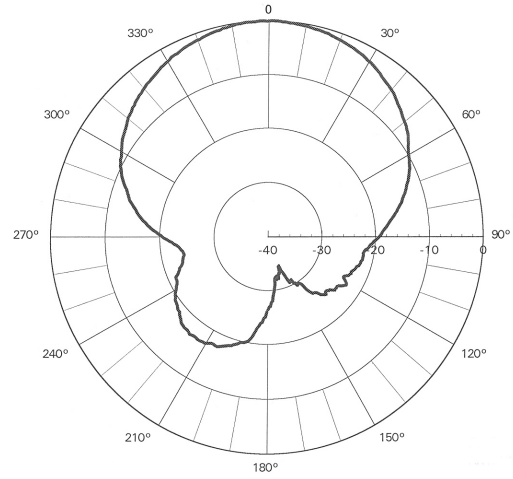
LPT2400NMOHF E-PLANE



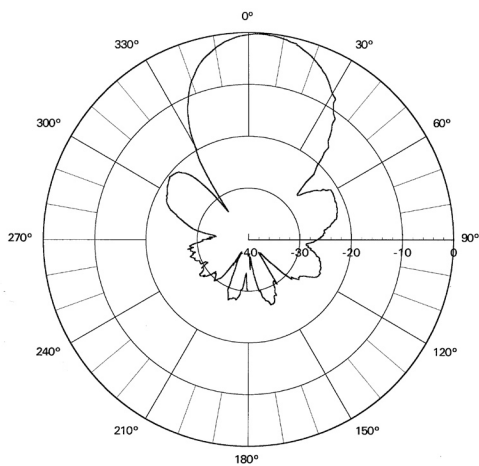
LPT2400NMOHF H-PLANE



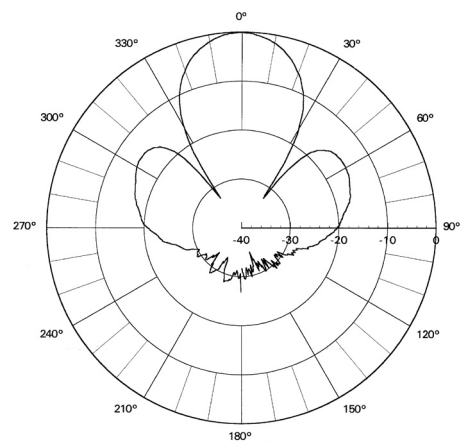
PA201850N E-PLANE



PA201850N H-PLANE

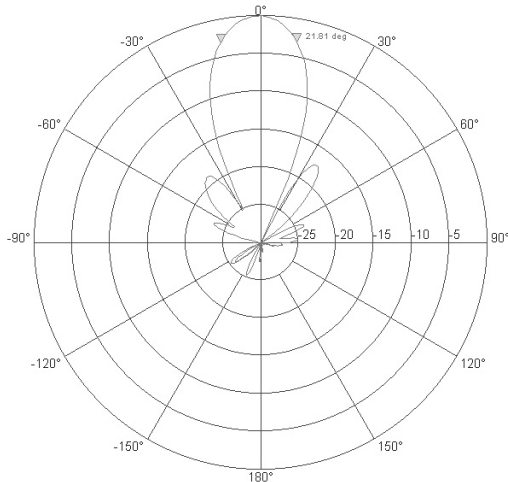


PA4142400 E-PLANE

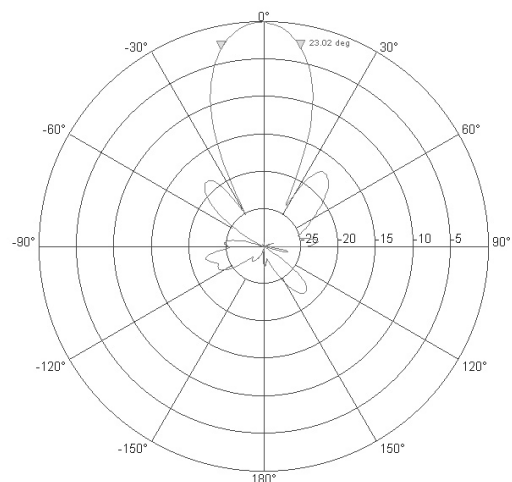


PA4142400 H-PLANE

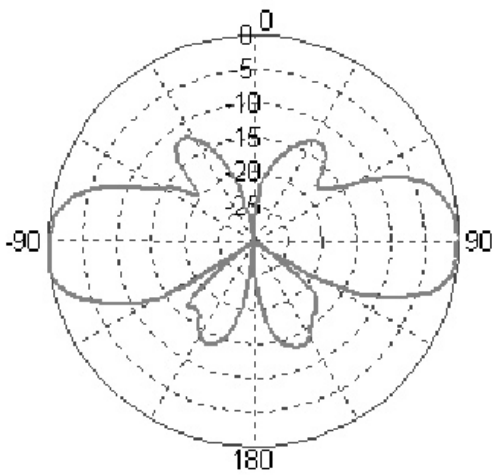
# WLAN & BASE STATION PATTERNS



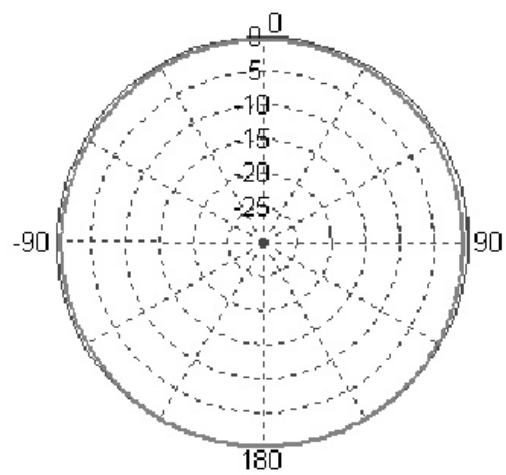
R380.500.217 / R380.500.218 E-PLANE



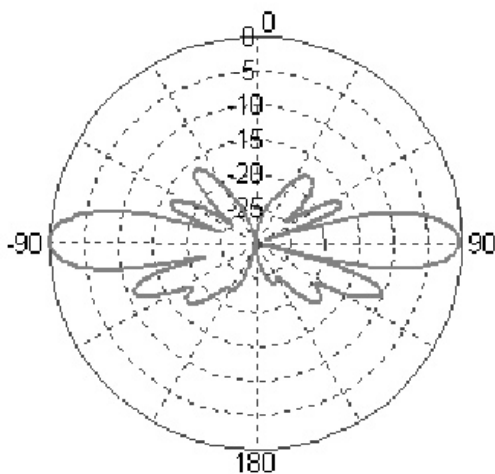
R380.500.217 / R380.500.218 H-PLANE



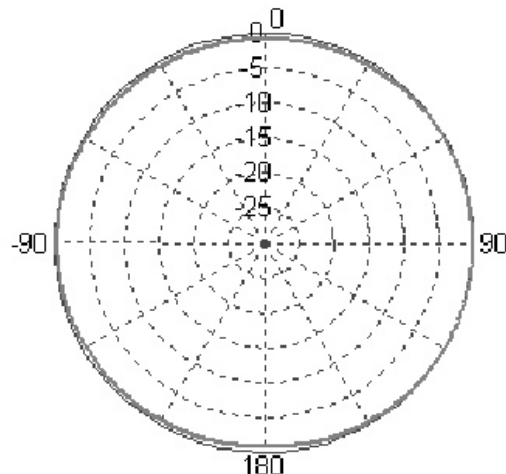
R380.500.219 E-PLANE



R380.500.219 H-PLANE



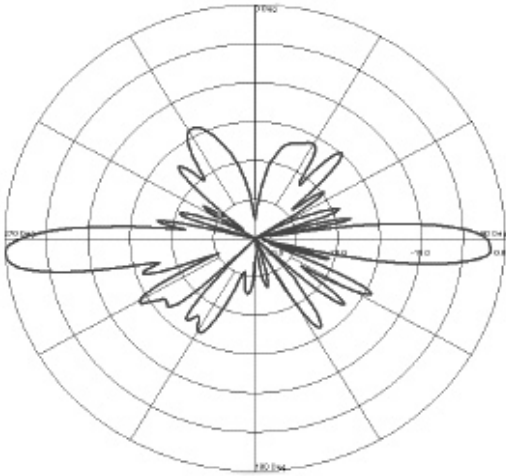
R380.500.220 E-PLANE



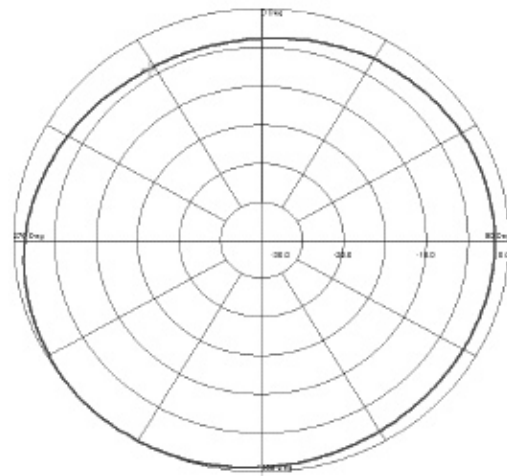
R380.500.220 H-PLANE



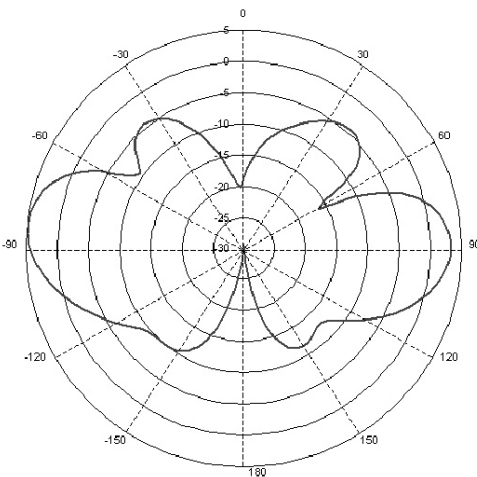
# WLAN & BASE STATION PATTERNS



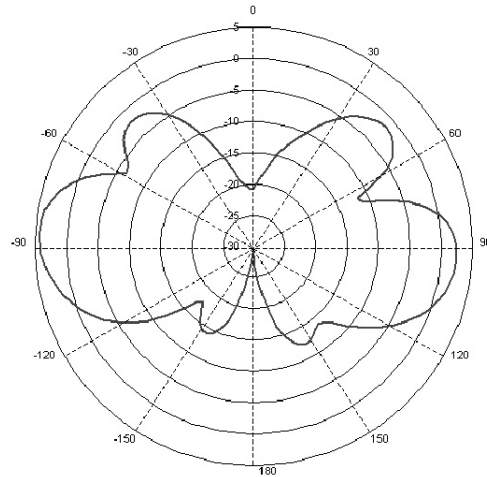
R380.500.223 E-PLANE



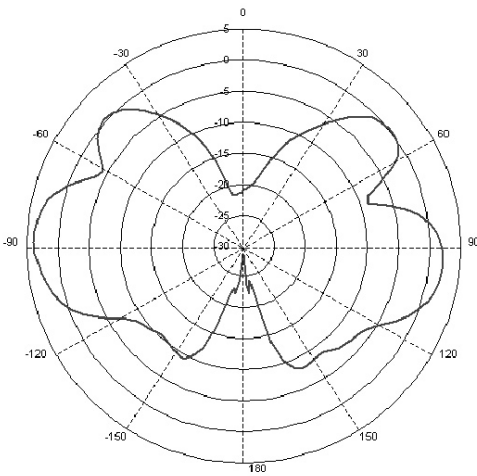
R380.500.223 H-PLANE



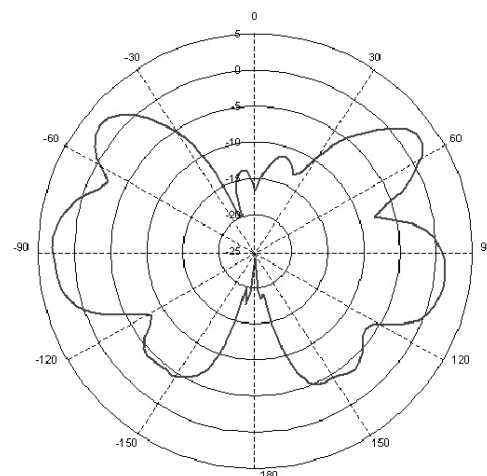
R380.500.312  
E-PLANE @ 5.2 GHz



R380.500.312 H-PLANE  
E-PLANE @ 5.55 GHz

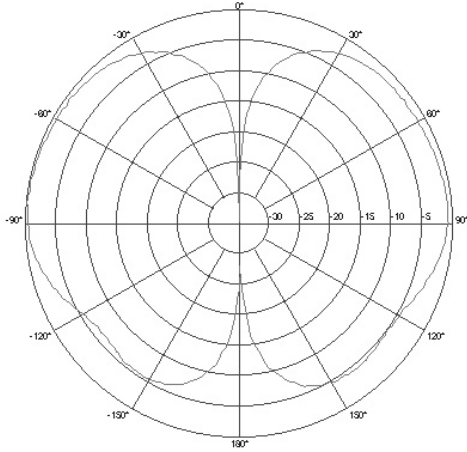


R380.500.312  
E-PLANE @ 5.7 GHz

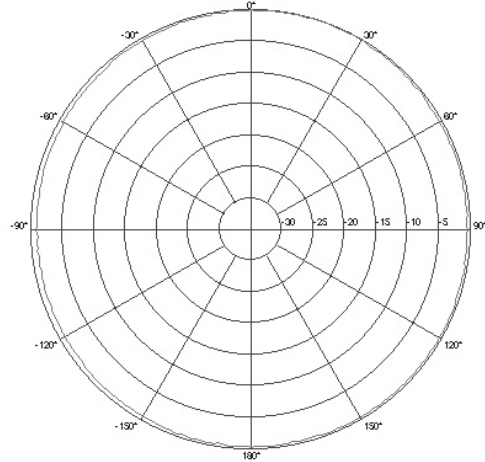


R380.500.312  
E-PLANE @ 5.9 GHz

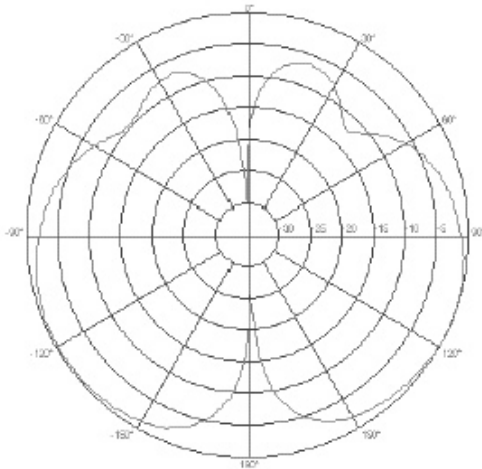
# WLAN & BASE STATION PATTERNS



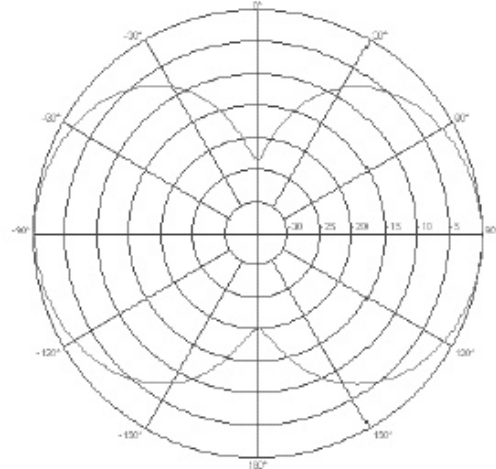
R380.500.501 E-PLANE



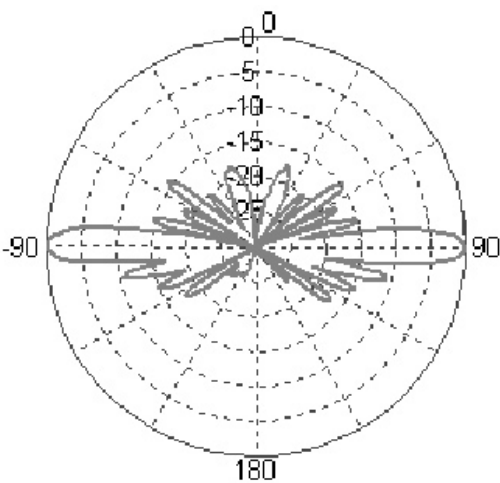
R380.500.501 H-PLANE



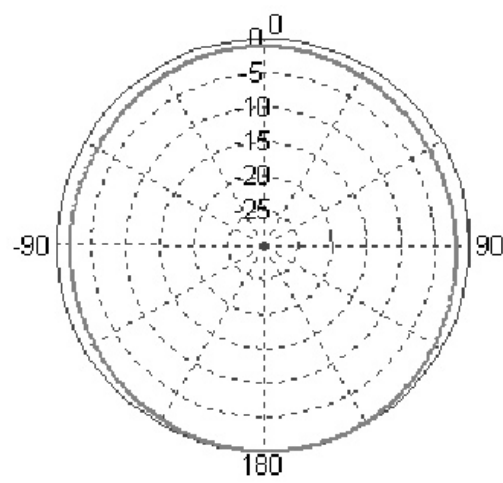
R380.500.901 E-PLANE



R380.500.901 H-PLANE



R380.600.200 E-PLANE



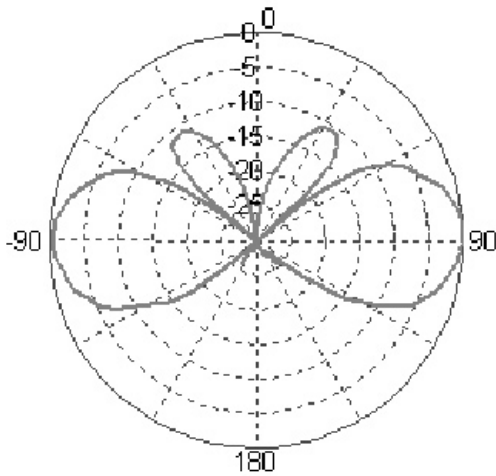
R380.600.200 H-PLANE

1 800 ANTENNA

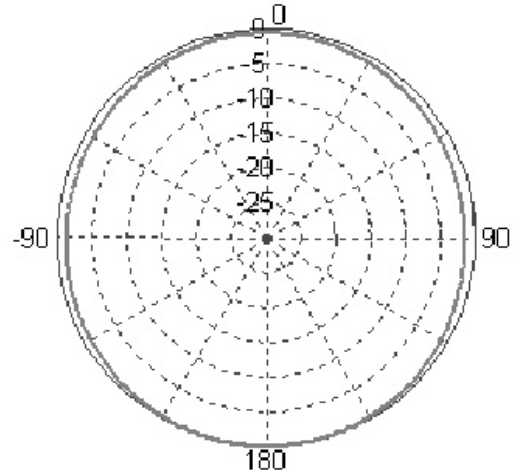




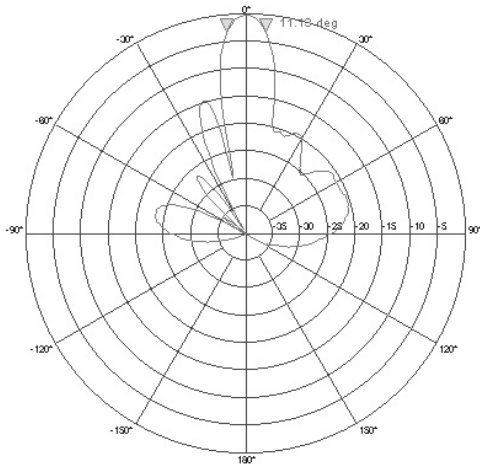
# WLAN & BASE STATION PATTERNS



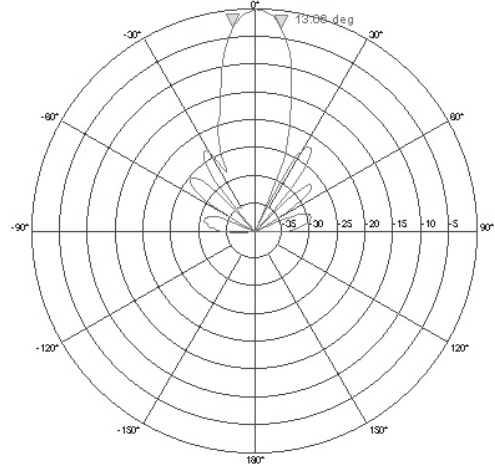
R380.600.201 E-PLANE



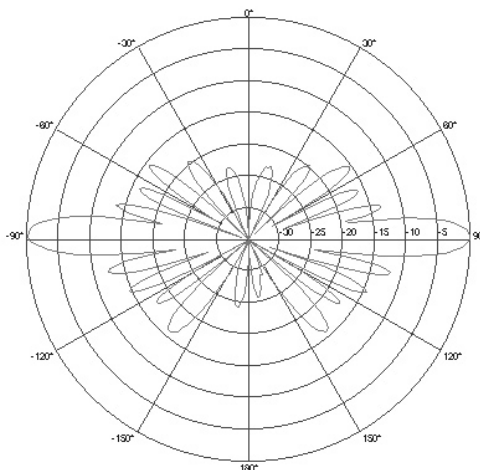
R380.600.201 H-PLANE



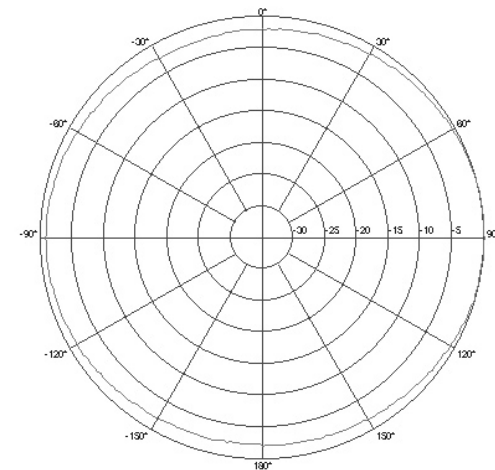
R380.700.203 / R380.700.204 E-PLANE



R380.700.203 / R380.700.204 H-PLANE

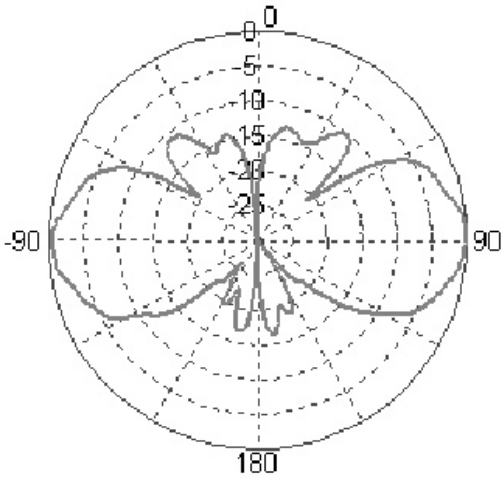


R380.700.205 E-PLANE

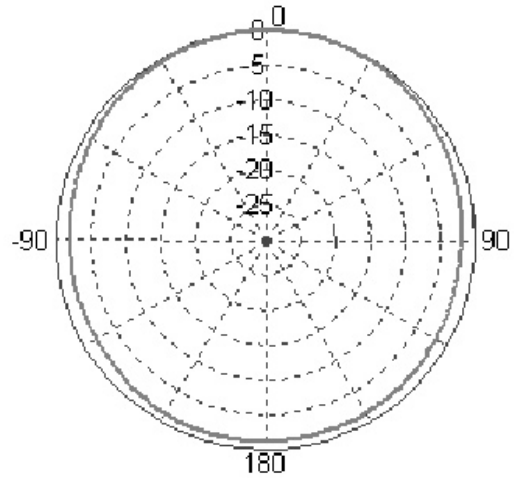


R380.700.205 H-PLANE

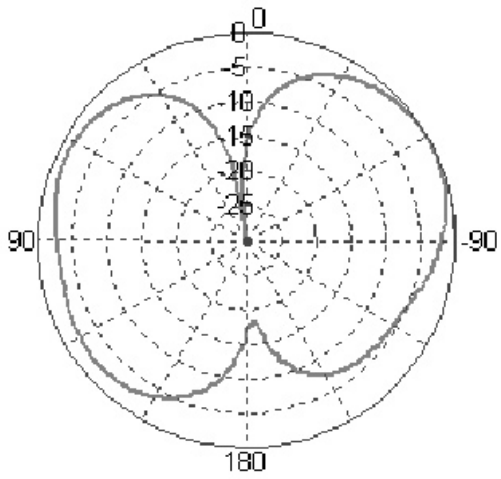
# WLAN & BASE STATION PATTERNS



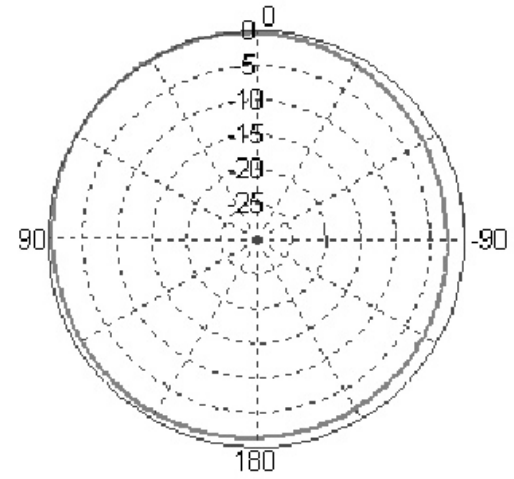
R380.700.206 E-PLANE



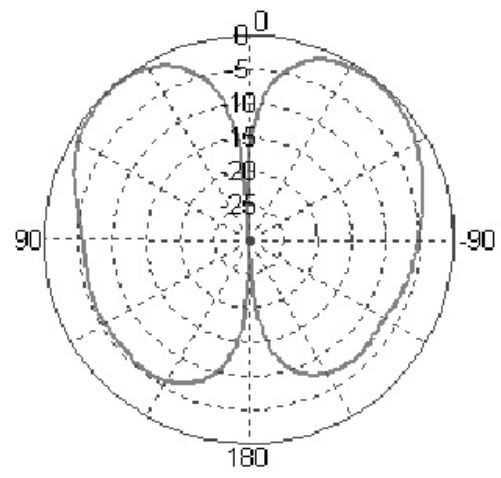
R380.700.206 H-PLANE



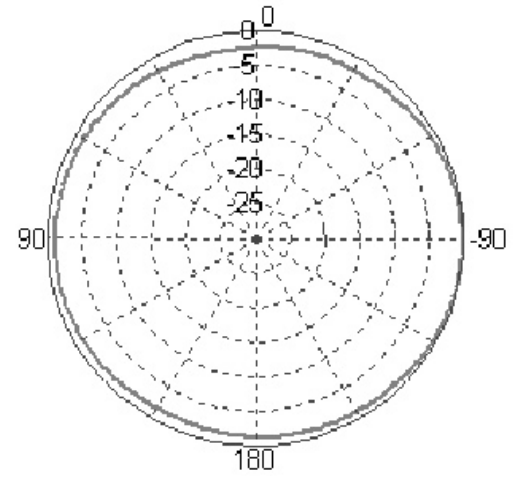
R380.900.500, 2 GHz, E-PLANE



R380.900.500, 2 GHz, H-PLANE



R380.900.500, 5 GHz, E-PLANE

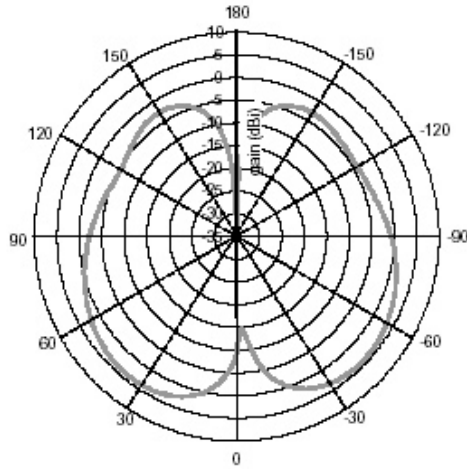


R380.900.500, 5 GHz, H-PLANE

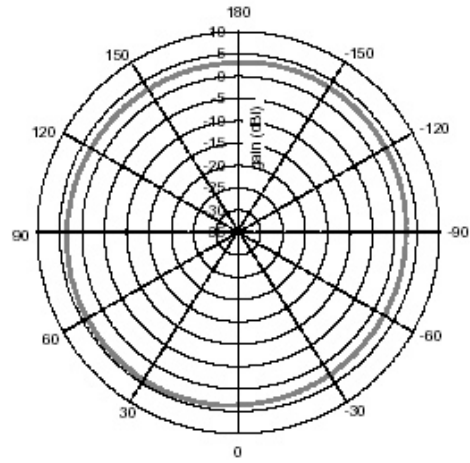
1 800 ANTENNA



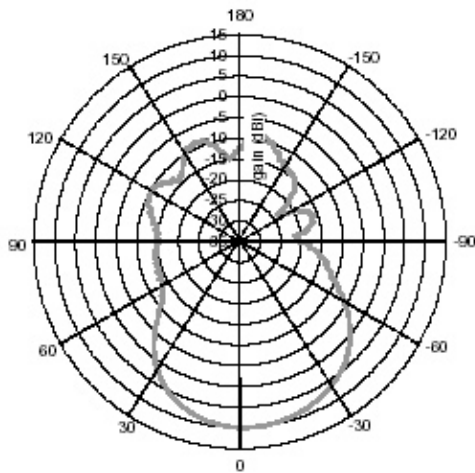
# WLAN & BASE STATION PATTERNS



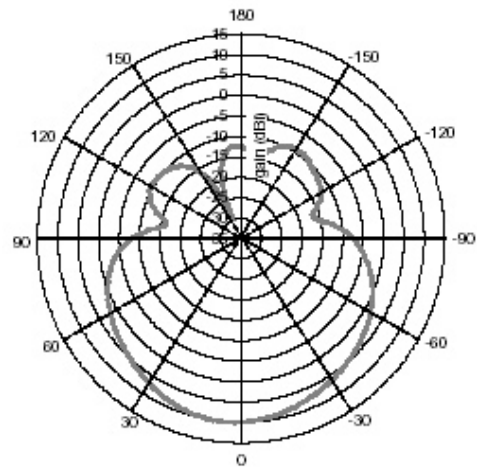
R380.900.903 E-PLANE



R380.900.903 H-PLANE



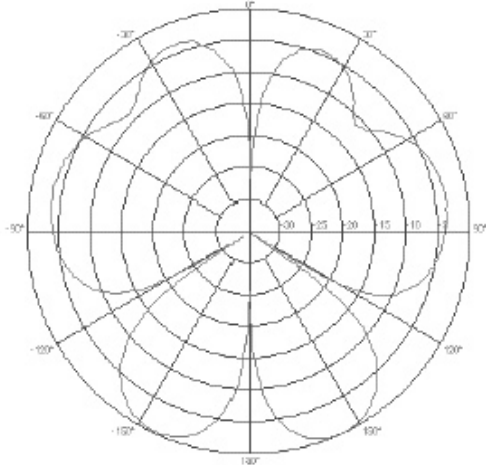
R380.900.904 E-PLANE



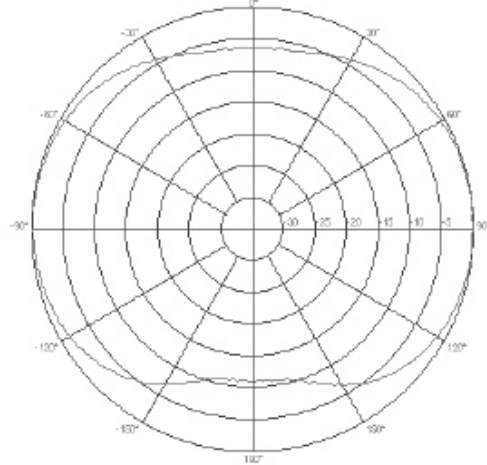
R380.900.904 H-PLANE



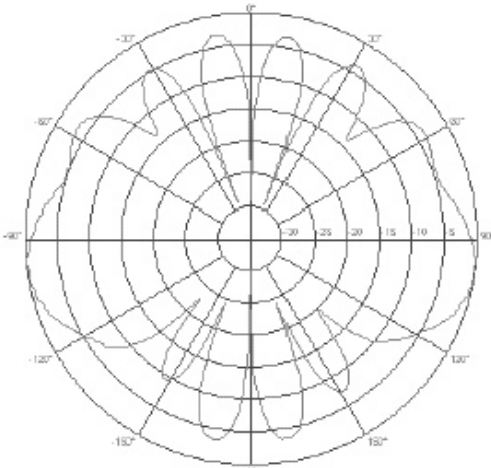
# WLAN & BASE STATION PATTERNS



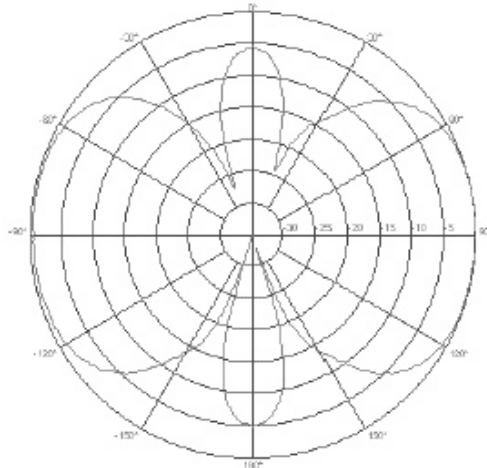
R380.900.908, 2.4 GHz, E-PLANE



R380.900.908, 2.4 GHz, H-PLANE



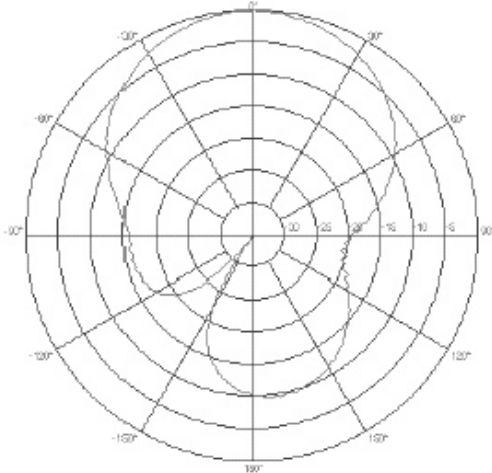
R380.900.908, 4.9 GHz, E-PLANE



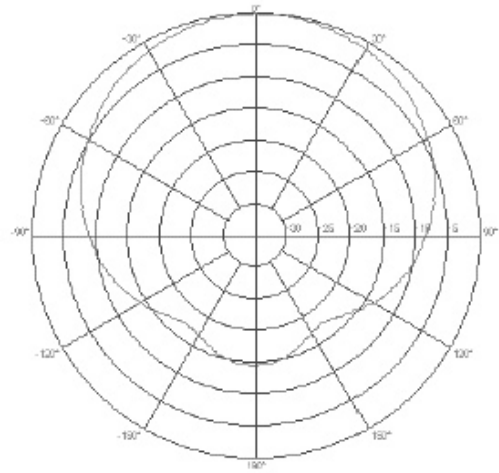
R380.900.908, 4.9 GHz, H-PLANE



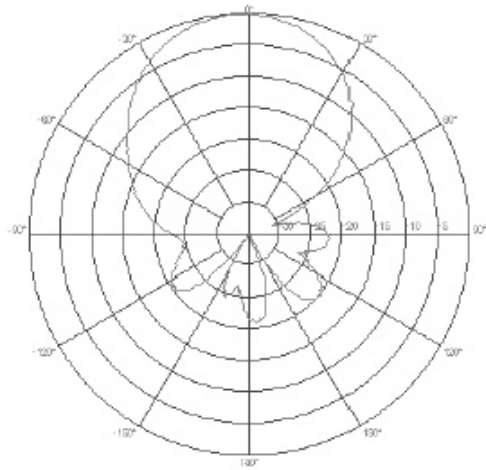
# WLAN & BASE STATION PATTERNS



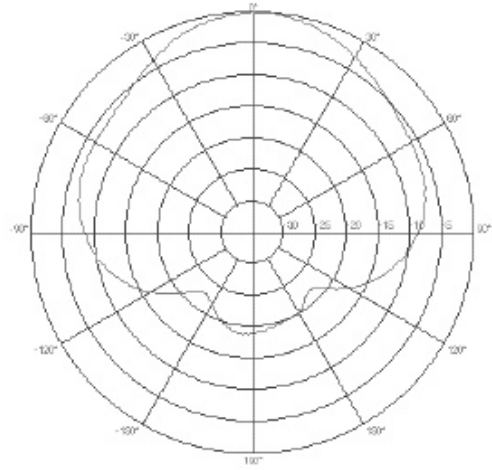
R380.900.909, 2.4 GHz, E-PLANE



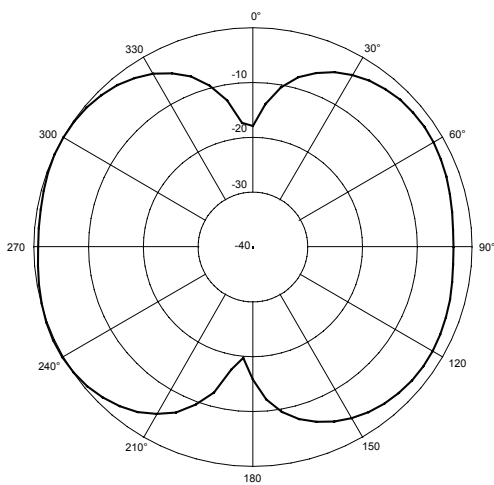
R380.900.909, 2.4 GHz, H-PLANE



R380.900.909, 4.9 GHz, E-PLANE

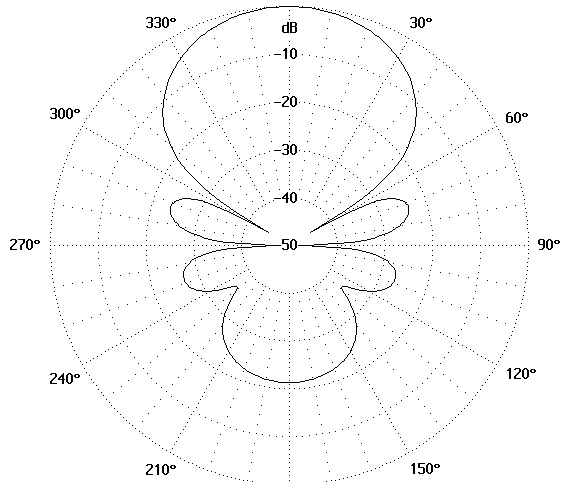


R380.900.909, 4.9 GHz, H-PLANE

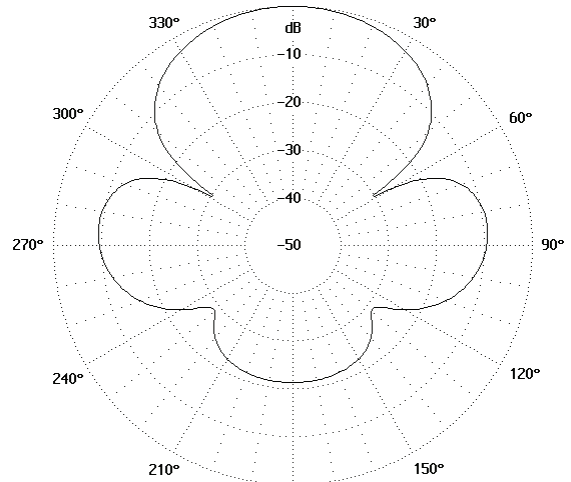


SB2400

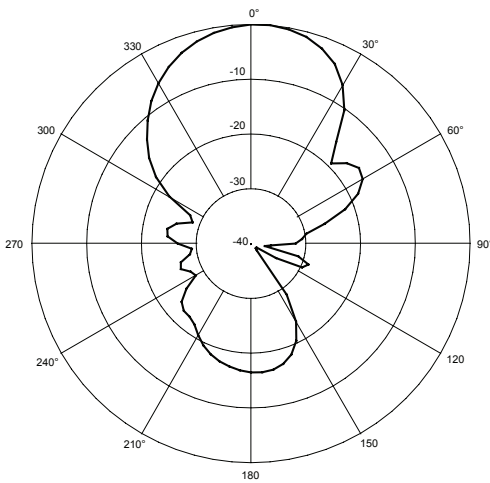
# WLAN & BASE STATION PATTERNS



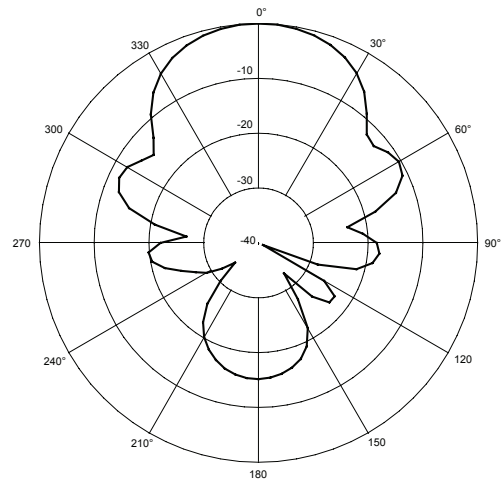
YA3 SERIES (406-512 MHz) E-PLANE



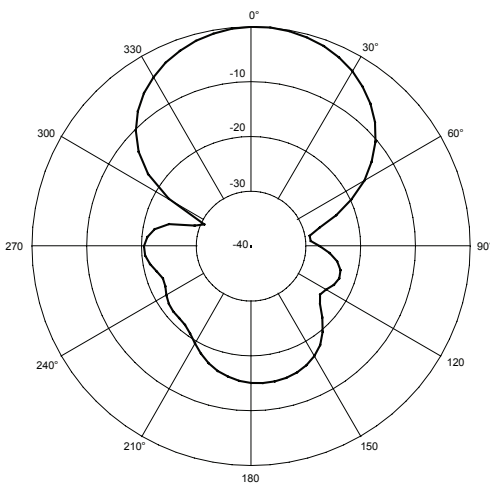
YA3 SERIES (406-512 MHz) H-PLANE



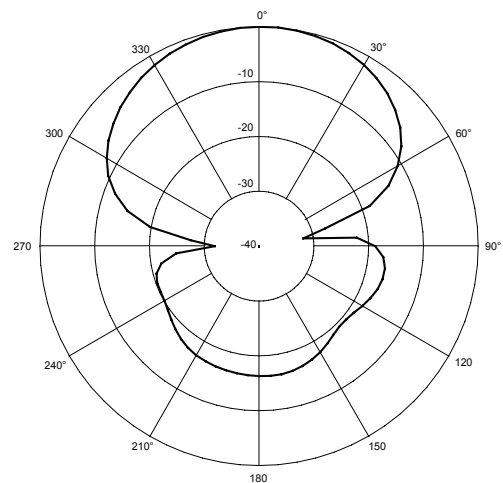
YA5 SERIES (740-960 MHz) E-PLANE



YA5 SERIES (740-960 MHz) H-PLANE



YA6 SERIES (740-960 MHz) E-PLANE



YA6 (740-960 MHz) SERIES H-PLANE

1 800 ANTENNA

