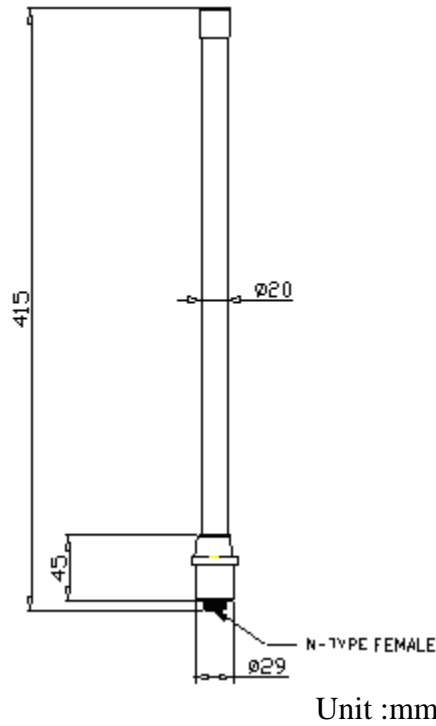


5.8GHz Antennas

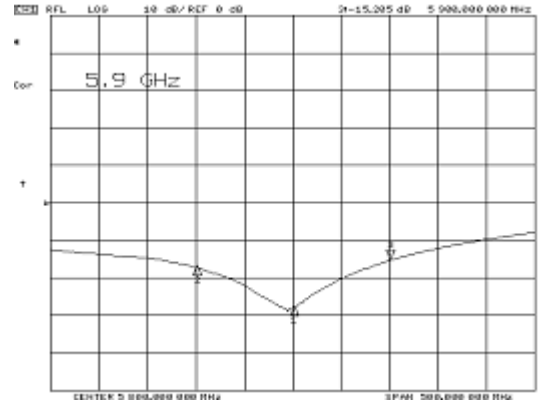
Omni-directional Antennas
EVERITIME COMMUNICATIONS CO., LTD.

[| Products](#) | [5.8GHz Antennas](#) | [Omni-directional Antennas](#) |

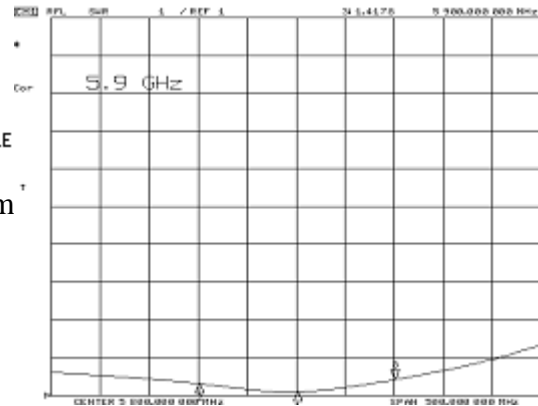
1GP-5808



Return Loss



VSWR



TECHNICAL DATA

Electrical Properties

Frequency Range : 5750~5850 MHz

Impedance : 50 OHMS \pm 5 Ω

SWR : \leq 1.3

Gain : 8 dBi

Radiation : Omni

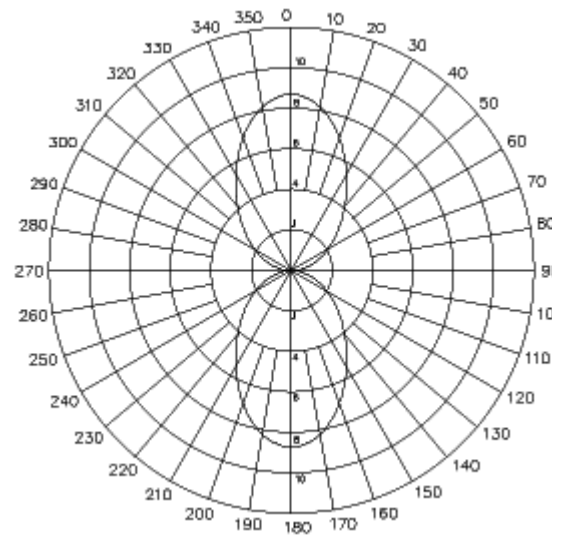
Polarization : Vertical

E-PLANE FIELD PATTERNS

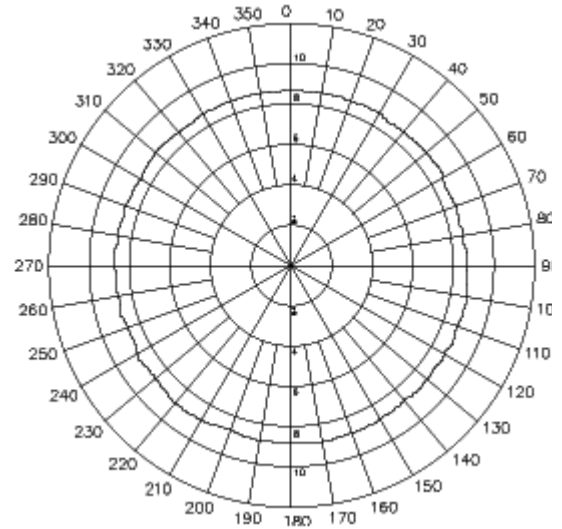
Mechanical Properties

Connector	: N (FEMALE)
Weight	: 370 g
Radiator	: Copper
Radome	: Fiberglass
Mounting	: Zinc
Guide Pipe	: Aluminum Alloy
Bracket	: Aluminum Alloy

* Mast kit Accepted $\varnothing 22$ - $\varnothing 24$ mast diameter



H-PLANE FIELD PATTERNS



Download Installation guide

Note: To obtain optimal results in extending wireless range with antenna installations, it is recommended that a qualified professional installer is consulted for site survey and proper installation.



[[BACK](#)] [[TOP](#)]

Evertime Communications Co., Ltd Copyright 2003 All Rights Reserved.