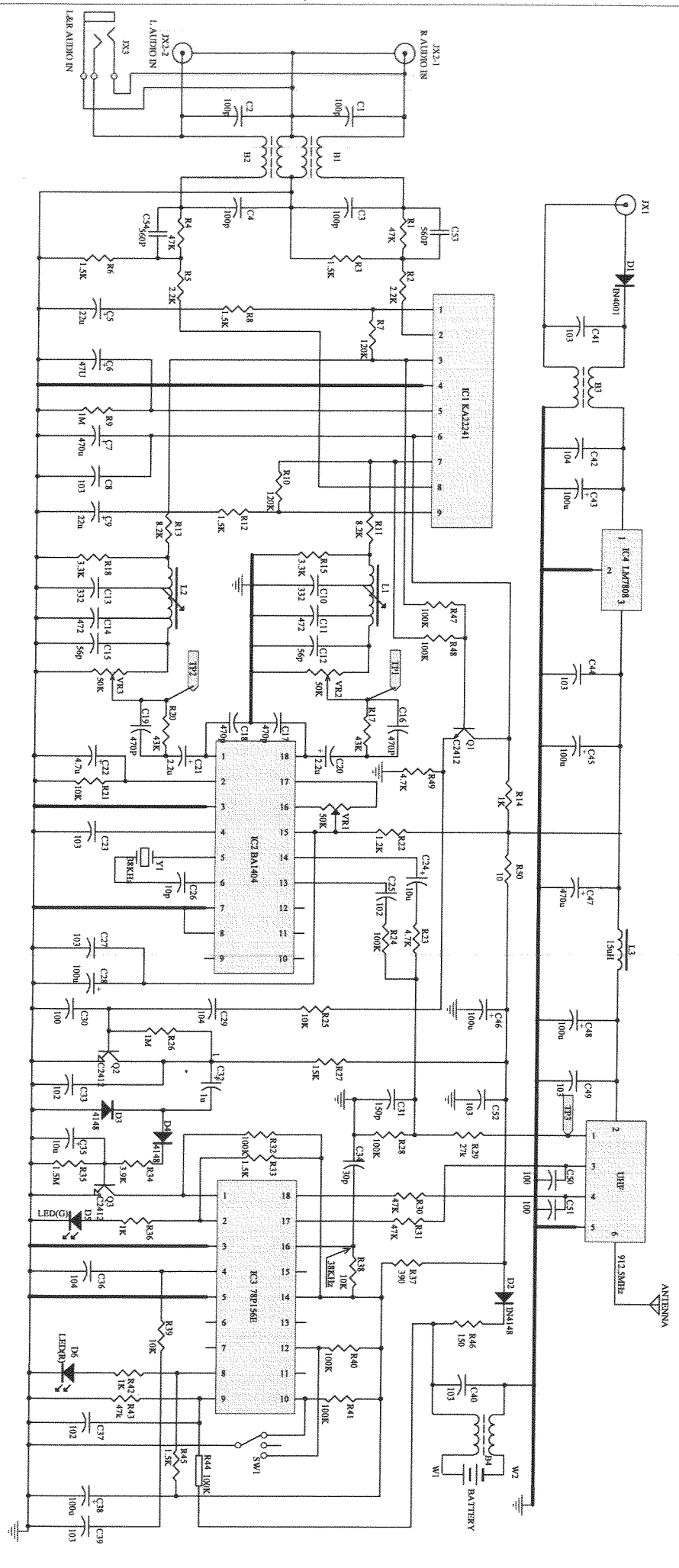


SCHEMATIC OF HP1291

02D/E



NOTE:
ALL RESISTANCE VALUES ARE INDICATED IN "OHM"
ALL CAPACITANCE VALUES ARE INDICATED IN "P"

ISSUE NO.	DESCRIPTION/REVISION	CHG.BY	APPR.BY	DATE

DESCRIPTION :
SCHEMATIC OF THE HP1291

MATERIAL :	REV. :
FINISH :	MODEL : HP1291
DRAWN BY : <i>[Signature]</i>	PART NO. :
CHECKED BY : <i>[Signature]</i>	DATE : 1/91
DATE : 1/91	SHEET 1 OF 1
APPROVED BY : <i>[Signature]</i>	DATE : 1/91
DATE : 1/91	DWG.NO. : SAAE1169