



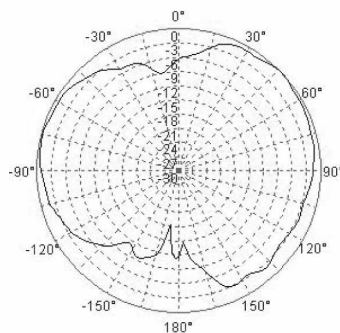
# ANT-I2ABGN-0304-0

## Ceiling Mount Omnidirectional Antenna for Indoor Use

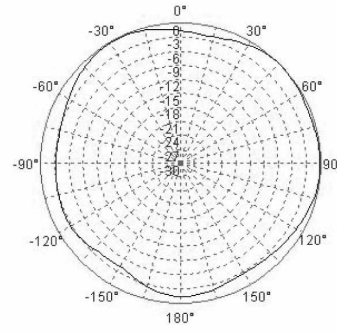
### External Ceiling Mount Indoor Antenna

The ANT-I2ABGN-0304-0 is a dual-band, ceiling-mount omnidirectional antenna, designed to operate indoors.

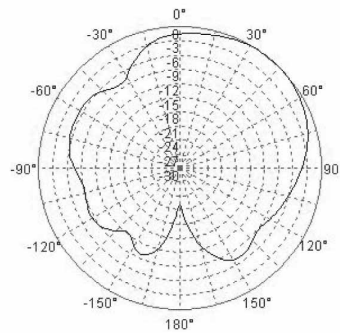
The dual-band frequency coverage means that a single type of antenna can be deployed with any radio in the 2.4–2.5 GHz or 5.1–5.850 GHz bands. The 36" cables have dual-band leads that support both 2.4 and 5 GHz with RPSMA connectors.



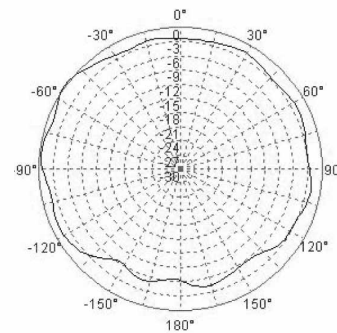
E Plane 2.4 GHz



H Plane 2.4 GHz



E Plane 5 GHz



H Plane 5 GHz

# ANT-I2ABGN-0304-O

## TECHNICAL SPECIFICATIONS

### Frequency Range

2.4–2.5 GHz and 5.1–5.850 GHz

### Gain

3 dBi for 2.4–2.5 GHz  
4 dBi for 5.1–5.850 GHz

### VSWR

≤2.0

### Vertical Beamwidth

100°/100°

### Horizontal Beamwidth

360°

### Polarization

Vertical

### Number of Leads

2

### Maximum Input Power

2 watts

### Lightning Protection

DC grounded

### Mechanical Size

2.9" x 5.41" x 1" (7.37 cm x 13.7 cm x 2.5 cm)

### Weight

0.39 lbs (0.177 kgs)

### Operating Temperature Range

-40 °F to 158 °F / -40 °C to 70 °C

### Antenna Connection

RPSMA plug with 3 ft cable

### Mount Style

Ceiling mount

### Cable Length

3 ft

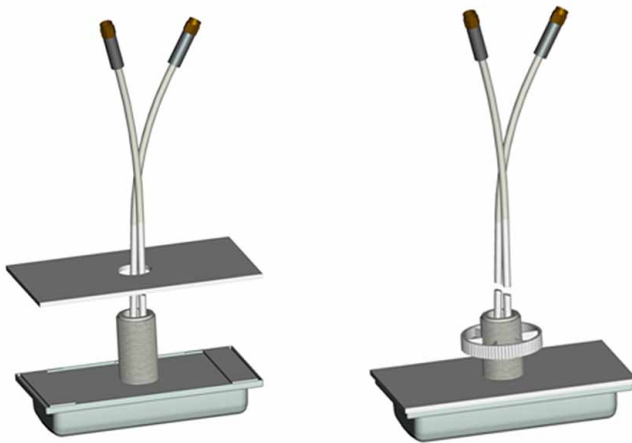
### Standard Warranty

1 year

### Part Numbers

ANT-I2ABGN-0304-O  
Dual-band, Omnidirectional External  
Antenna for 2.4/5.0/5.2/5.6/5.8 GHz

Meru delivers an all-wireless network that fully supports the enterprise, delivering a consistent, interactive experience for all users. No matter what applications they are running. No matter how many other users are on the network.



Ceiling mounting images



Corporate Headquarters  
894 Ross Drive, Sunnyvale, CA 94089  
T +1.408.215.5300  
F +1.408.215.5301  
E [info@merunetworks.com](mailto:info@merunetworks.com)

For more information about Meru antennas, visit [www.merunetworks.com](http://www.merunetworks.com) or email your questions to: [info@merunetworks.com](mailto:info@merunetworks.com)

Meru Networks | Copyright © 2012 Meru Networks, Inc. All rights reserved worldwide. Meru Networks is a registered trademark of Meru Networks, Inc. All other trademarks, trade names, or service marks mentioned in this document are the property of their respective owners. 04.12 DS1052