

ANTENNA



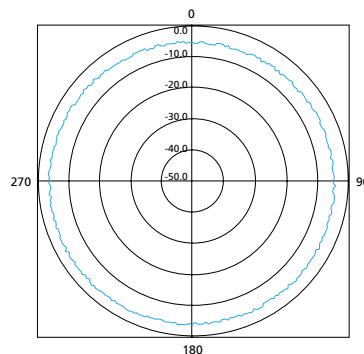
DUAL-BAND, OMNI-DIRECTIONAL, HIGH-GAIN ANTENNA ANT-ABGN470

Compact, cosmetically attractive, dual-band, 1/2-wave antenna covering the 2.45 GHz and 5.8 GHz bands

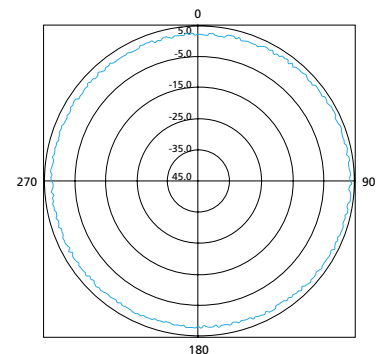


PRODUCT OVERVIEW

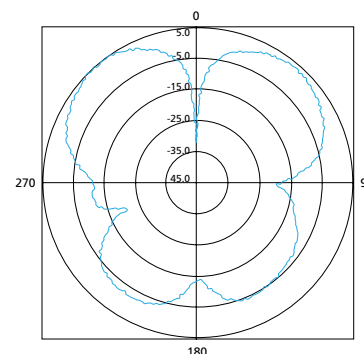
This is a compact, cosmetically attractive, dual-band, 1/2-wave antenna covering the 2.45 GHz and 5.8 GHz bands. The antenna features a tilt-and-swivel joint that allows it to be oriented at straight or right angles to the access point or to be conveniently folded for storage. The antenna offers higher gain compared to the default antennas on Meru access points. The antenna is ideal for indoor usage and helps increase the coverage and range of the wireless signal.



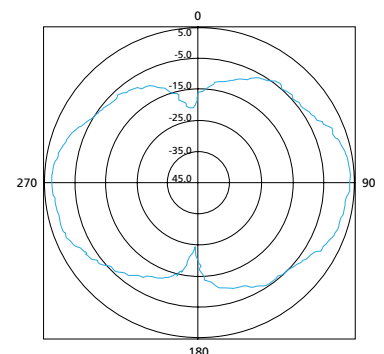
H Plane 2.4 GHz



H Plane 5.8 GHz



E Plane 2.4 GHz



H Plane 5.8 GHz

ANTENNA

SPECIFICATIONS

ELECTRICAL SPECIFICATIONS

Frequency Range
2.4–2.5 GHz

Gain
4.7 dBi

HPBW/Horizontal
360°

VSWR
1.9:1 max

Polarization
Linear, vertical

Impedance
50 Ohms

ENVIRONMENTAL & MECHANICAL CONSIDERATIONS

Temperature
-10° C to +55° C (14° F to 131° F)

Humidity
95% at 25° C (77° F)

Radome color
Black

Radome material
ABS

Dimensions
4" x 0.5" (10.2 cm x 1.3 cm)

Connector type
RP SMA plug

PART NUMBER

ANT-ABGN470

Dual-band, omni-directional antenna for 2.4 and 5.8 GHz

Meru delivers an all-wireless network that fully supports the enterprise, delivering a consistent, interactive experience for all users. No matter what applications they are running. No matter how many other users are on the network.

For more information about Meru antennas, visit | www.merunetworks.com | Or email your questions to: info@merunetworks.com

Meru Networks | Copyright © 2012 Meru Networks, Inc. All rights reserved worldwide. Meru Networks is a registered trademark of Meru Networks, Inc. All other trademarks, trade names, or service marks mentioned in this document are the property of their respective owners. 03.12 DS1028



Corporate Headquarters

894 Ross Drive

Sunnyvale, CA 94089

T +1 (408) 215-5300

F +1 (408) 215-5301

E info@merunetworks.com