



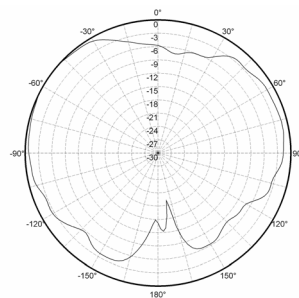
ANT-I3ABGN-0304-0

Ceiling Mount Omnidirectional Antenna for Indoor Use

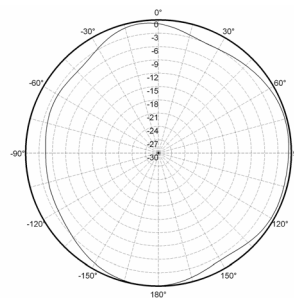
External Ceiling Mount Indoor Antenna

The ANT-I3ABGN-0304-0 is a dual-band, ceiling-mount omnidirectional antenna, designed to operate indoors.

The dual-band frequency coverage means that a single type of antenna can be deployed with any radio in the 2.4–2.5 GHz or 5.1–5.850 GHz bands. The 18" plenum pigtailed leads have dual-band leads that support both 2.4 and 5 GHz with RPSMA connectors.

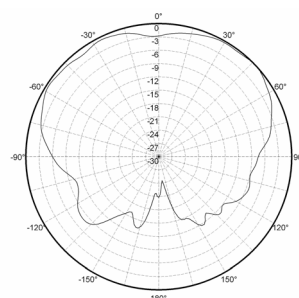


E-Plane Pattern

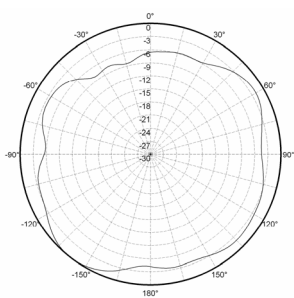


H-Plane Pattern

2.4 GHz



E-Plane Pattern



H-Plane Pattern

5 GHz

ANT-13ABGN-0304-0

TECHNICAL SPECIFICATIONS

Frequency Range

2.4–2.5 GHz and 5.1–5.850 GHz

Gain

3 dBi for 2.4–2.5 GHz
4 dBi for 5.1–5.850 GHz

VSWR

≤2.0

Vertical Beamwidth

90°/160°

Horizontal Beamwidth

360°

Polarization

Vertical

Number of Leads

3

Maximum Input Power

2 watts

Lightning Protection

DC grounded

Mechanical Size

5.9" x 2.9" x 1.0" (15 cm x 7.37 cm x 2.54 cm)

Weight

1.55 lbs (0.703 Kg)

Operating Temperature Range

-40 °F to 158 °F / -40 °C to 70 °C

Antenna Connection

RPSMA plug

Mount Style

Ceiling mount

Cable Length

18" plenum pigtails

Standard Warranty

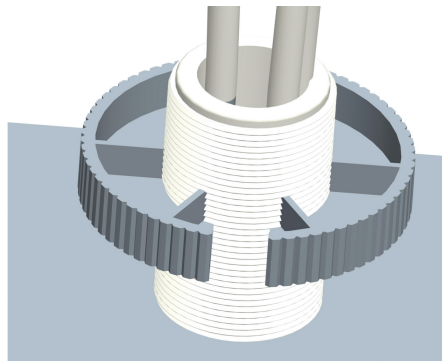
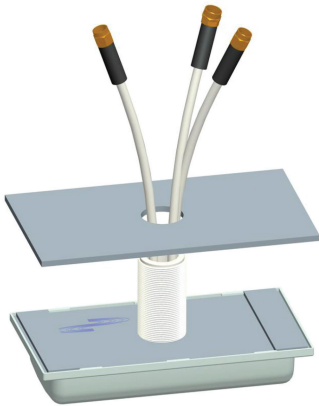
1 year

Part Numbers

ANT-13ABGN-0304-0

Dual-band, Omnidirectional External
Antenna for 2.4/5.0/5.2/5.6/5.8 GHz

Meru delivers an all-wireless network that fully supports the enterprise, delivering a consistent, interactive experience for all users. No matter what applications they are running. No matter how many other users are on the network.



Ceiling Mounting Images

For more information about Meru antennas, visit www.merunetworks.com or email your questions to: info@merunetworks.com

Meru Networks | Copyright © 2012 Meru Networks, Inc. All rights reserved worldwide. Meru Networks is a registered trademark of Meru Networks, Inc. All other trademarks, trade names, or service marks mentioned in this document are the property of their respective owners. 04.12 DS1052.1



Corporate Headquarters
894 Ross Drive, Sunnyvale, CA 94089
T +1.408.215.5300
F +1.408.215.5301
E info@merunetworks.com