

# ANTENNA



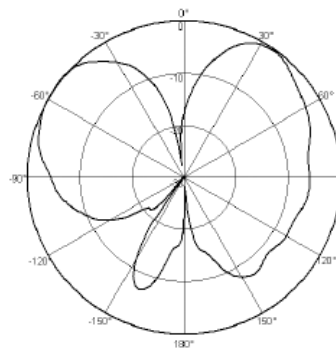
## DUAL-BAND MINI MIMO CEILING-MOUNT OMNI-DIRECTIONAL ANTENNA ANT-6ABGN-24

An aesthetically pleasing antenna to support demanding 802.11n applications

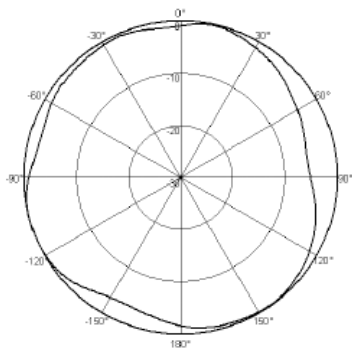


### PRODUCT OVERVIEW

This aesthetically pleasing antenna features six integrated 2.4 and 5 GHz dual-band, omni-directional antennas, ideal for demanding 802.11n applications.

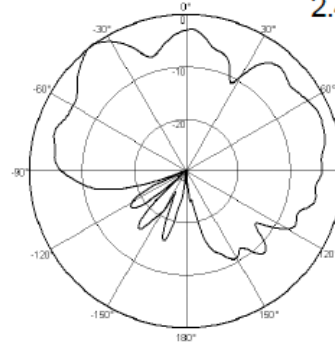


E-Plane Pattern

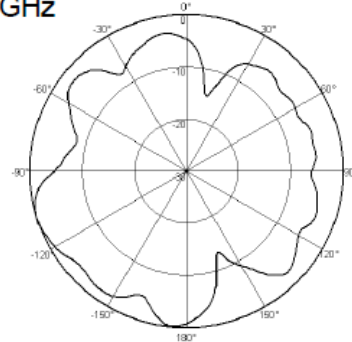


H-Plane Pattern

2.4 GHz



E-Plane Pattern



H-Plane Pattern

5 GHz

# ANTENNA

## SPECIFICATIONS

### ELECTRICAL SPECIFICATIONS

**Frequency range**

2.4–2.483 GHz  
5.15–5.85 GHz

**Gain**

2.5 dBi  
4 dBi

**VPBW/Vertical**

55°  
60°

**HPBW/Horizontal**

360°

**VSWR**

2.0 max  
2.5 max

**Polarization**

Vertical

**Impedance**

50 Ohms

### ENVIRONMENTAL & MECHANICAL CONSIDERATIONS

**Temperature**

-22° F to +158° F (-30° C to +70° C)

**Weight**

0.68 lbs (0.31 kgs)

**Dimensions**

7.1" x 5.1" x 1.9" (18 cm x 13 cm x 5 cm)

**Cable**

36" (91.5 cm) plenum

**Mounting Style**

Ceiling

**Connector Type**

RP SMA plug

### PART NUMBERS

ANT-6ABGN-24 Dual-band Mini MIMO  
Ceiling-mount Omni-directional Antenna  
for 2.4/5.0/5.2/5.6/5.8 GHz

---

**Meru** delivers an all-wireless network that fully supports the enterprise, delivering a consistent, interactive experience for all users. No matter what applications they are running. No matter how many other users are on the network.

---



Corporate Headquarters

894 Ross Drive

Sunnyvale, CA 94089

T +1 (408) 215-5300

F +1 (408) 215-5301

E [info@merunetworks.com](mailto:info@merunetworks.com)

For more information about Meru antennas, visit | [www.merunetworks.com](http://www.merunetworks.com) | Or email your questions to: [info@merunetworks.com](mailto:info@merunetworks.com)

Meru Networks | Copyright © 2012 Meru Networks, Inc. All rights reserved worldwide. Meru Networks is a registered trademark of Meru Networks, Inc. All other trademarks, trade names, or service marks mentioned in this document are the property of their respective owners. 03.12 DS1025