

NOTES: UNLESS OTHERWISE SPECIFIED)

1. MUST CONFORM TO UL969 MARKING & LABELING SYSTEM PGDQ2; VAL-THERM-D OR EQUIVALENT.
2. ALL TEXT AND GRAPHICS ARE BLACK.
3. CE, GITEKI & KOREAN MARK HAVE MINIMUM HEIGHT OF 5mm.
4. The diameter of the C-Tick mark has a minimum requirement of 3mm and the suppliers identification characters have a minimum height requirement of 1mm
5. For UAE mark, "TRA" min height 3mm, all other characters min height 2mm
6. For So. Africa mark, the ICASA logo min requirement is 3 x 3 mm
7. Factory Code: Shanghai = "S", Shenzhen = "SZ"

REV	DATE	DESCRIPTION
1	10/24/11	Initial Release
2	02/24/12	Change CE number to 1313
3	05/17/12	Change CE ID, Update FCC & IC IDs, remove Japan IDs

102 mm x 15.5 mm



SCALE 1:1

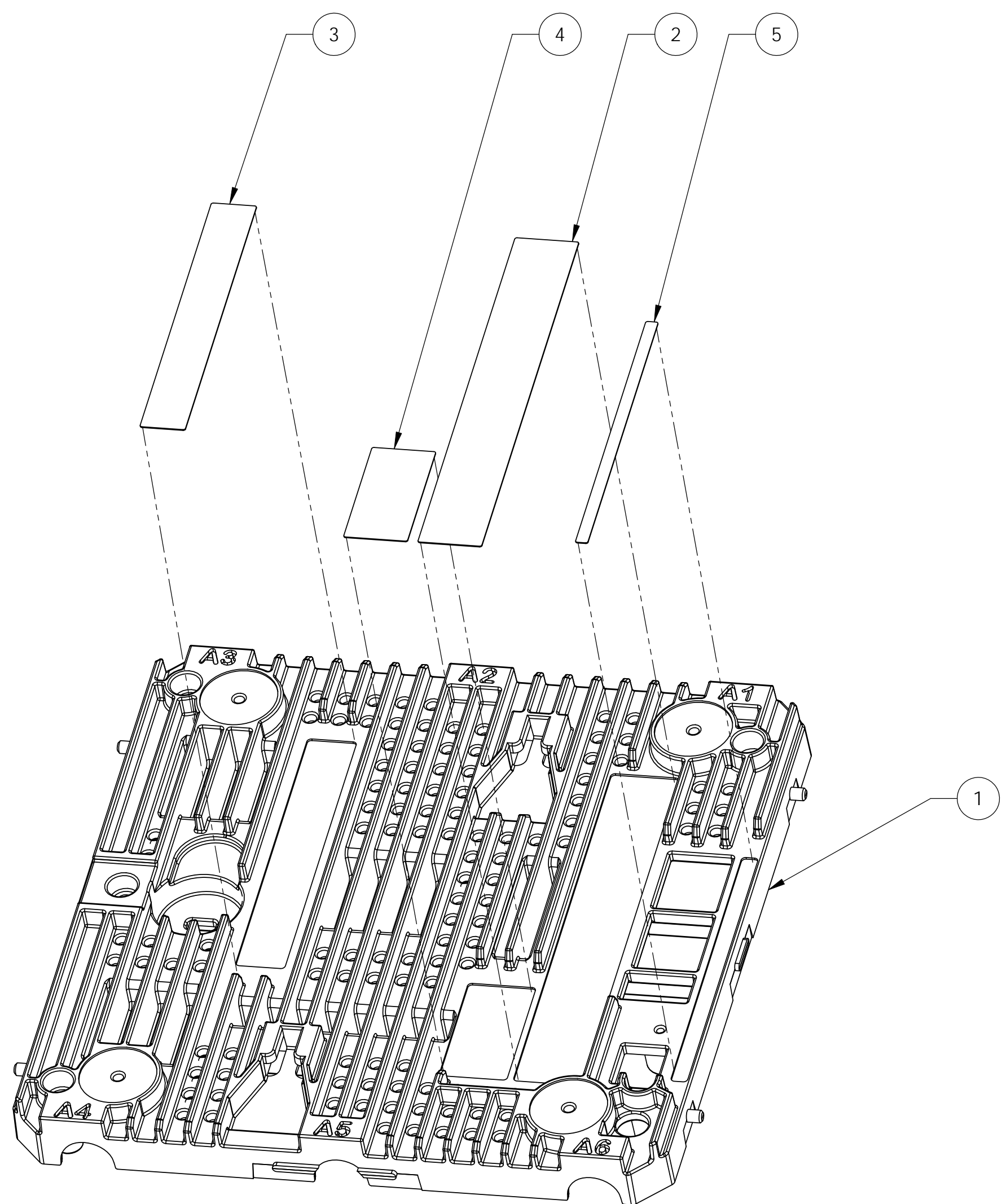
UNLESS OTHERWISE NOTED DIMENSIONS ARE IN INCHES			TITLE					
ANG	2 PLCS	3 PLCS	Label, Regulatory, AP332i					
±1.5°	±.05	±.010						
DO NOT SCALE THIS DRAWING			MERU NETWORKS PROPRIETARY USE PURSUANT TO COMPANY INSTRUCTIONS					
1:1								
PROFILENAME			THIRD ANGLE PROJECTION 		DRAWING NUMBER	SHEET	REV/REL	DWG SIZE
			ENG DATE      HS 05/17/12		845-00605		3	C2/A1R

P

NOTES: (UNLESS OTHERWISE SPECIFIED)

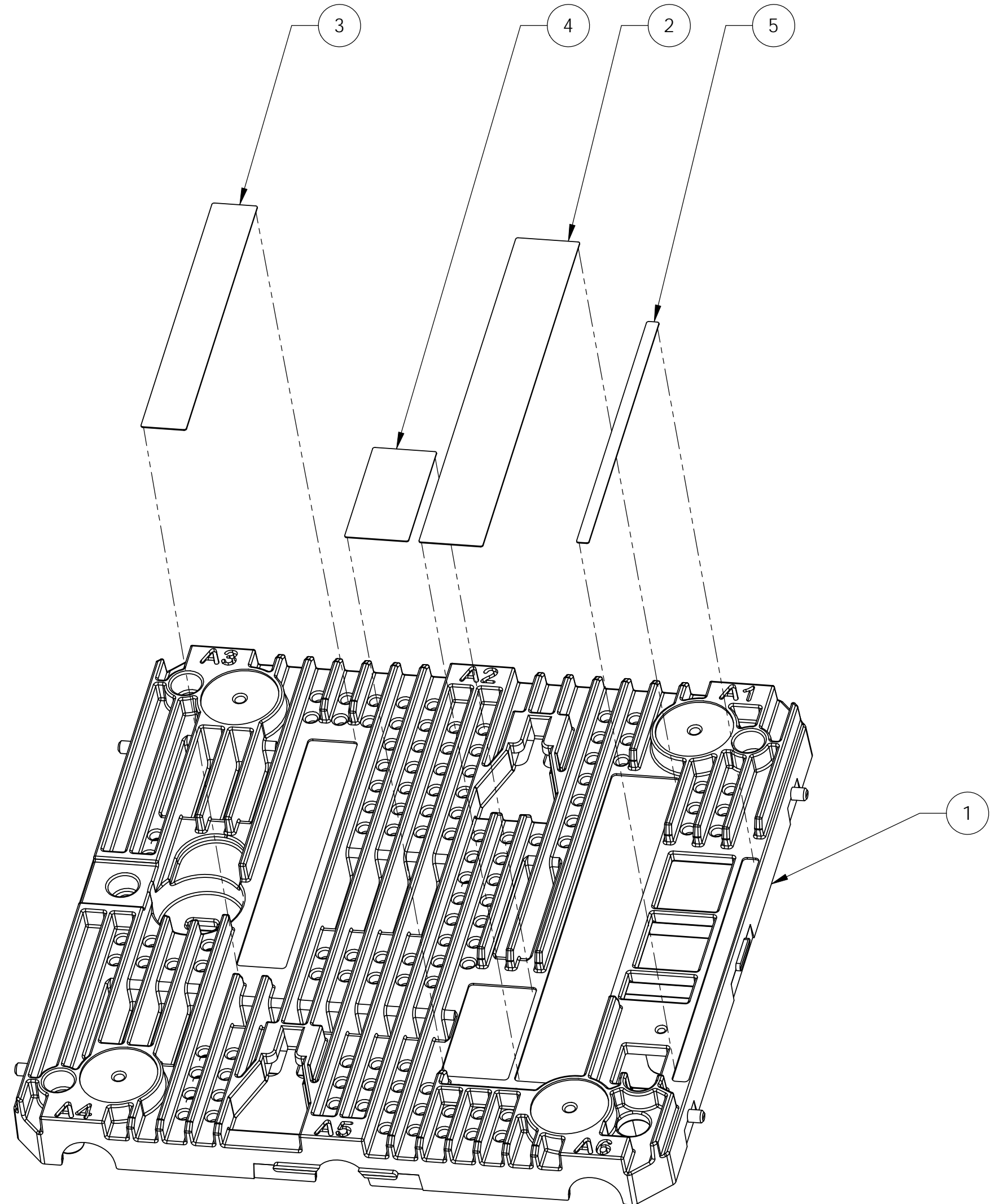
- PARTS SHALL BE CLEAN AND FREE OF ALL FOREIGN MATERIAL.
- SHIPPING BOX AND/OR CONTAINER TO BE CLEARLY MARKED OR LABELED WITH PART #, REV #, PRODUCTION DATE, AND QUANTITY OF PARTS ENCLOSED.

REVISIONS		
REV.	DESCRIPTION	DATE
1	PRODUCTION RELEASE	12/15/2011



840-00097-r01\_(ASSY, Bottom Cover, AP332e)

ITEM NO.	PART NUMBER	DESCRIPTION	QTY.
1	650-00230	ENCL, Bottom Cover, AP332	1
2	845-00593	Label, Regulatory1, AP332e	1
3	845-00594	Label, System, PN SN, AP332	1
4	845-00639	Label, Regulatory2, AP332e	1
5	845-00644	Label, IO, AP332	1



840-00107-r01\_(ASSY, Bottom Cover, AP332i)

ITEM NO.	PART NUMBER	DESCRIPTION	QTY.
1	650-00230	ENCL, Bottom Cover, AP332	1
2	845-00605	Label, Regulatory1, AP332i	1
3	845-00594	Label, System, PN SN, AP332	1
4	845-00606	Label, Regulatory2, AP332i	1
5	845-00644	Label, IO, AP332	1

UNLESS OTHERWISE SPECIFIED  
DIMENSIONS ARE IN MILLIMETERS [INCHES]  
TOLERANCES ARE:  
NONE

SEE NOTES

GEOMETRIC TOLERANCING PER ANSI Y14.5-1994  
ALL PROJECTION ARE THIRD ANGLE  
DO NOT SCALE DRAWING

	NAME	DATE
DRAWN	WHIPSAW	12/15/2011
CHECKED		
ENG APPR.		
MFG APPR.		
Q.A.		

PROPRIETARY AND CONFIDENTIAL

THE INFORMATION CONTAINED IN THIS DRAWING IS THE SOLE PROPERTY OF MERU NETWORKS.

ANY REPRODUCTION IN PART OR AS A WHOLE WITHOUT THE WRITTEN PERMISSION OF MERU NETWORKS IS PROHIBITED.

894 Ross Drive, Sunnyvale, CA 94089, USA

TITLE:  
**ASSY, Bottom Cover, AP332e**  
**ASSY, Bottom Cover, AP332i**

SIZE	DWG. NO.	REV
<b>D</b>	<b>840-00097</b> <b>840-00107</b>	<b>1</b>

SCALE: NONE  
CAD FILES: 840-00097-r01\_(ASSY, Bottom Cover, AP332e)  
840-00107-r01\_(ASSY, Bottom Cover, AP332i)

SHEET 1 OF 1

