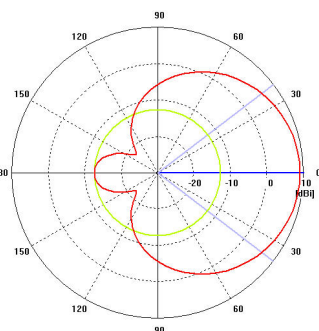
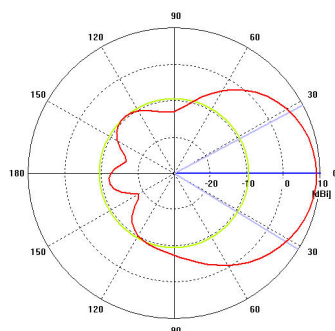
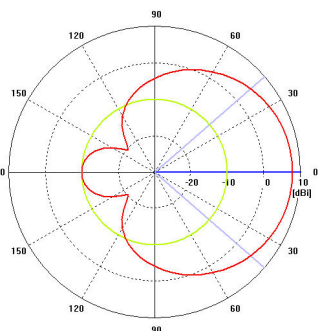
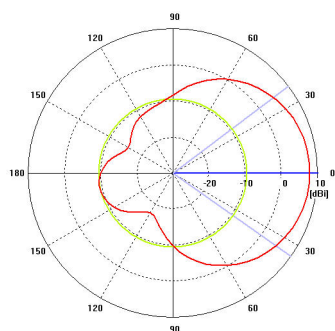




**TerraWave Solutions® 802.11n 2.4/5 GHz 6/7 dBi MIMO Patch Antenna with RPSMA Plug Connectors**

TerraWave’s new dual band 2.4/5 GHz multiple-input and multiple-output (MIMO) patch antenna is designed to operate with many manufacturers’ enterprise-class 802.11n MIMO access points (APs). This antenna features three integrated 2.4 GHz patch antennas and three integrated 5 GHz patch antennas in one enclosure, making it an ideal and aesthetically pleasing antenna to support demanding indoor or outdoor applications in next generation IEEE 802.11n wireless communication systems. Includes TerraWave’s Universal Articulating Mount for an easy and flexible wall/mast mount installation. Every TerraWave antenna is covered by the Company’s two-year TerraNet warranty program. Visit [www.terrawave.com](http://www.terrawave.com) for additional information.

Specifications	
Model	M6060070MP13620
Frequency Range	2400 ~ 2500 / 5100 ~ 5850 MHz
Bandwidth	100 / 750 MHz
Gain	6 dBi / 7 dBi
Vertical Beamwidth	72° / 60°
Horizontal Beamwidth	82° / 75°
Front-to-back Ratio	≥ 18 dB
VSWR	≤ 1.5 / ≤ 2.0
Nominal Impedance	50 Ohms
Polarization	Vertical
Max Power	50 Watts
Connector	RPSMA Plugs with 36" Pigtails
Dimensions	17.5" x 6.1" x 1.0"
Weight	1.9 lbs
Operating Temperature Range	-22°F to +158°F
Wind Load	134 mph
Mounting Style	Wall Mount / Mast Mount
Mast Diameter	1.5" - 1.96"



E-Plane Pattern

2.4 GHz

H-Plane Pattern

E-Plane Pattern

5 GHz

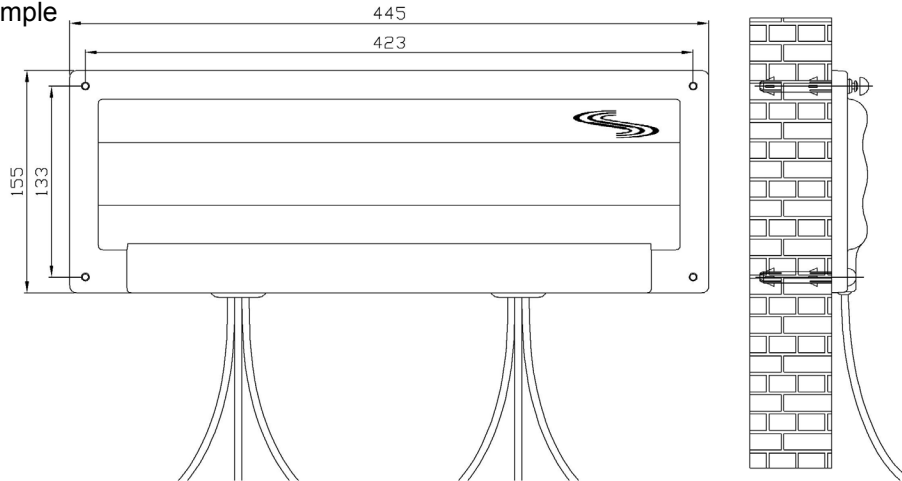
H-Plane Pattern



TerraWave Solutions® 802.11n 2.4/5 GHz 6/7 dBi MIMO Patch Antenna with RPSMA Plug Connectors

Mounting Options for M6060070MP13620

Flush Wall Mount Example



Mast / Wall Mount Example

