

NOTES: UNLESS OTHERWISE SPECIFIED)

1. MUST CONFORM TO UL969 MARKING & LABELING SYSTEM PGDQ2; VAL-THERM-D OR EQUIVALENT.
2. ALL TEXT AND GRAPHICS ARE BLACK.
3. CE, GITEKI & KOREAN MARK HAVE MINIMUM HEIGHT OF 5mm.
4. The diameter of the C-Tick mark has a minimum requirement of 3mm and the suppliers identification characters have a minimum height requirement of 1mm
5. For UAE mark, "TRA" min height 3mm, all other characters min height 2mm
6. For So. Africa mark, the ICASA logo min requirement is 3 x 3 mm
7. Factory Code: Shanghai = "S", Shenzhen = "SZ"

REV	DATE	DESCRIPTION
1	10/24/11	Initial Release
2	02/24/12	Change CE number to 1313
3	05/17/12	Change CE ID, Update FCC & IC IDs, remove Japan IDs

102 mm x 15.5 mm



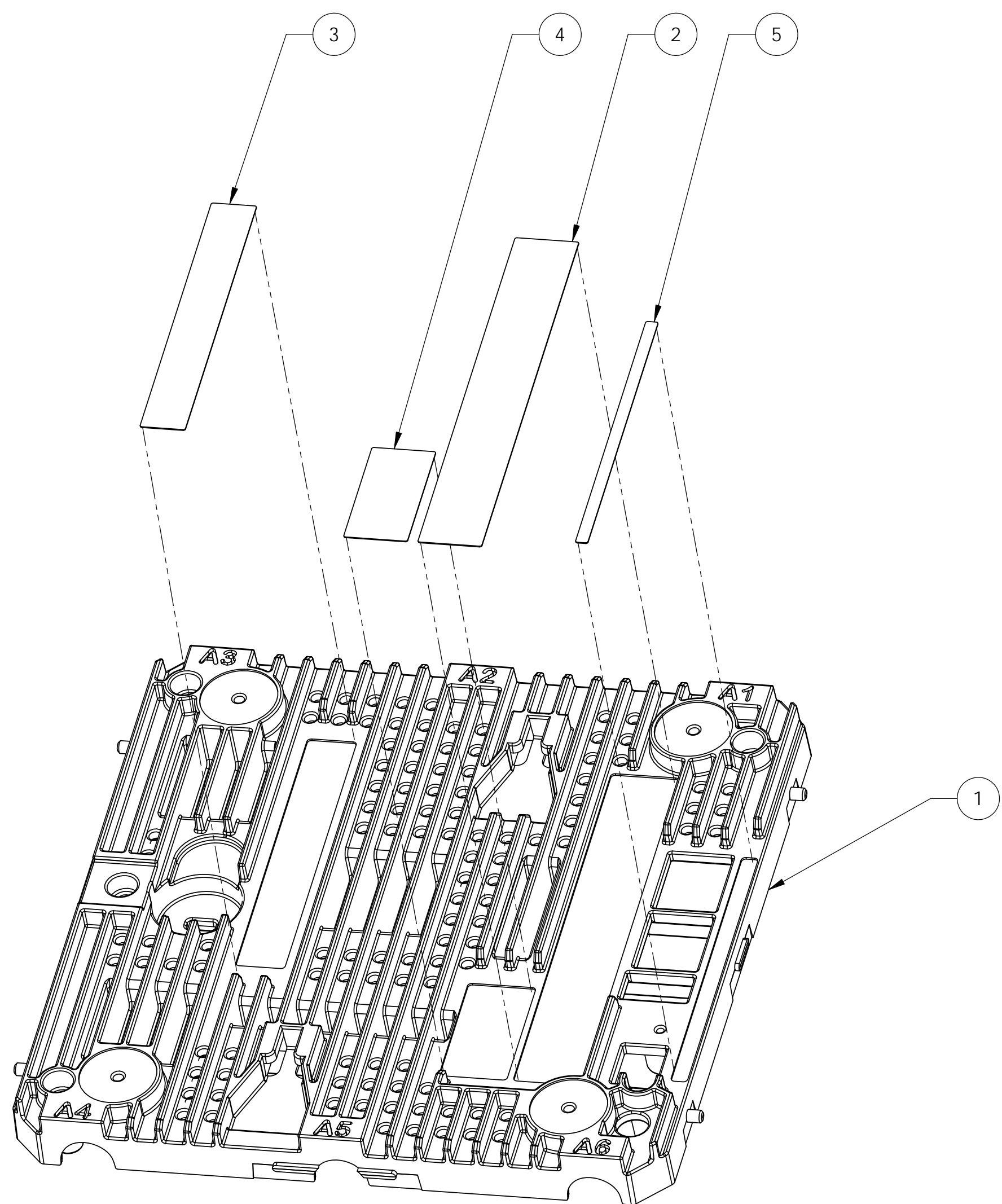
SCALE 1:1

UNLESS OTHERWISE NOTED DIMENSIONS ARE IN INCHES			TITLE					
ANG	2 PLCS	3 PLCS	Label, Regulatory, AP332e (P)					
±1.5°	±.05	±.010						
DO NOT SCALE THIS DRAWING			THIRD ANGLE PROJECTION 		MERU NETWORKS PROPRIETARY USE PURSUANT TO COMPANY INSTRUCTIONS			
1:1			ENG DATE	HS	DRAWING NUMBER	SHEET	REV/REL	DWG SIZE
PROFILENAME			05/17/12		845-00605		3	C2/A1R

NOTES: (UNLESS OTHERWISE SPECIFIED)

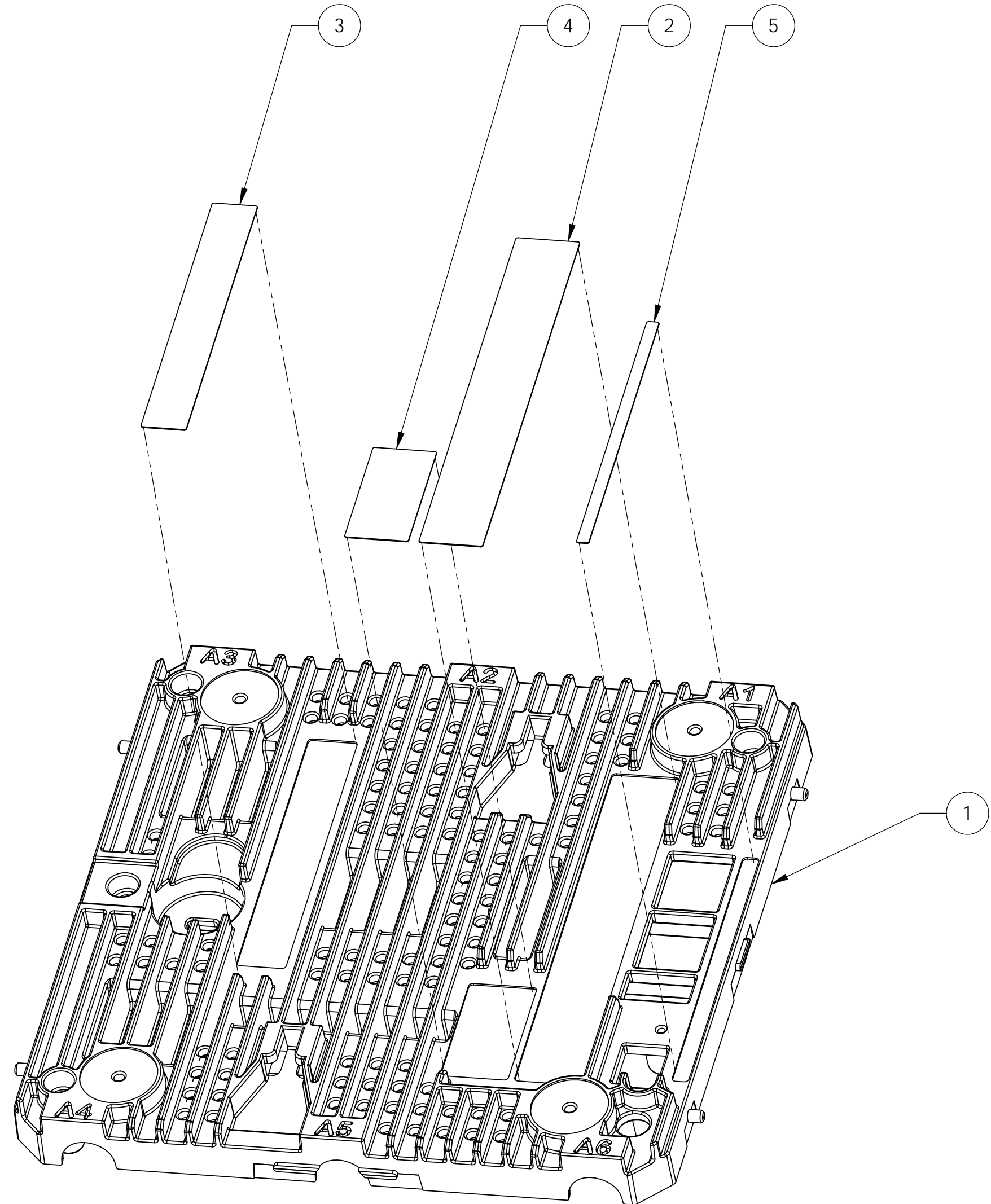
- PARTS SHALL BE CLEAN AND FREE OF ALL FOREIGN MATERIAL.
- SHIPPING BOX AND/OR CONTAINER TO BE CLEARLY MARKED OR LABELED WITH PART #, REV #, PRODUCTION DATE, AND QUANTITY OF PARTS ENCLOSED.

REVISIONS		
REV.	DESCRIPTION	DATE
1	PRODUCTION RELEASE	12/15/2011



840-00097-r01_(ASSY, Bottom Cover, AP332e)

ITEM NO.	PART NUMBER	DESCRIPTION	QTY.
1	650-00230	ENCL, Bottom Cover, AP332	1
2	845-00593	Label, Regulatory1, AP332e	1
3	845-00594	Label, System, PN SN, AP332	1
4	845-00639	Label, Regulatory2, AP332e	1
5	845-00644	Label, IO, AP332	1



840-00107-r01_(ASSY, Bottom Cover, AP332i)

ITEM NO.	PART NUMBER	DESCRIPTION	QTY.
1	650-00230	ENCL, Bottom Cover, AP332	1
2	845-00605	Label, Regulatory1, AP332i	1
3	845-00594	Label, System, PN SN, AP332	1
4	845-00606	Label, Regulatory2, AP332i	1
5	845-00644	Label, IO, AP332	1

UNLESS OTHERWISE SPECIFIED
DIMENSIONS ARE IN MILLIMETERS [INCHES]
TOLERANCES ARE:
NONE

SEE NOTES

GEOMETRIC TOLERANCING PER ANSI Y14.5-1994
ALL PROJECTION ARE THIRD ANGLE
DO NOT SCALE DRAWING

	NAME	DATE
DRAWN	WHIPSAW	12/15/2011
CHECKED		
ENG APPR.		
MFG APPR.		
Q.A.		

PROPRIETARY AND CONFIDENTIAL
THE INFORMATION CONTAINED IN THIS DRAWING IS THE SOLE PROPERTY OF MERU NETWORKS.
ANY REPRODUCTION IN PART OR AS A WHOLE WITHOUT THE WRITTEN PERMISSION OF MERU NETWORKS IS PROHIBITED.

894 Ross Drive, Sunnyvale, CA 94089, USA

ASSY, Bottom Cover, AP332e
ASSY, Bottom Cover, AP332i

SIZE	DWG. NO.	REV
D	840-00097 840-00107	1

SCALE: NONE
CAD FILES: 840-00097-r01_(ASSY, Bottom Cover, AP332e)
840-00107-r01_(ASSY, Bottom Cover, AP332i)

SHEET 1 OF 1

A

B

C

D

E

F

G

H

NOTES: UNLESS OTHERWISE SPECIFIED)

1. MUST CONFORM TO UL969 MARKING
& LABELING SYSTEM PGDQ2; VAL-THERM-D
OR EQUIVALENT.

材质: 50番消银龙 (银色)

2. ALL TEXT AND GRAPHICS ARE BLACK.

3. CE, GITEKI & KOREAN MARK HAVE MINIMUM HEIGHT OF 5mm.

4. C-Tick logo has a minimum height requirement of 2mm and text 1mm

5. USE ELECTRONIC FILE # 845-00606.AI

6. UL Certifications: Company Name(DA CHANG), UL File Number(MH45513);

UL File Number(PGAA-LP3253); UL Category Code: PGDQ2, HY-06





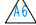

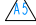


UL Marking: DA CHANG, MH45513 PGDQ2, HY-06 

30 mm x 15.5 mm

This device complies with part 15 of the FCC Rules. Operation is subject to the following two conditions: (1) This device may not cause harmful interference, and (2) this device must accept any interference received, including interference that may cause undesired operation.

This Class B digital apparatus meets all the requirements of the Canadian Interference Causing Equipment Regulations. Cet appareil numérique de la classe B respecte toutes les exigences du Règlement sur le matériel brouilleur du Canada.

SCALE 1:1

			 Universal Scientific Industrial Co., Ltd.					
			TITLE: FCC LBL, 30*15.5MM, MERU, AP332				SOURCE ORGANIZATION ED/SHED/MDE	
			MODEL NO			DWG NO	2B-037129	
				DESIGNER	DATE	SCALE: Free	UNIT: mm	
			UNLESS OTHERWISE TOLERANCE SPECIFIED	Yinling	05/21/12	USI P/N	SHEET	REV
				APR BY	DATE		59-531169-01	1/1
			± 0.5	Mark	05/21/12			
NO	DESCRIPTION	DATE						