

Omni-Directional Antenna for 2.4 GHz

Version 1

SAA04-050280

Electrical Specification

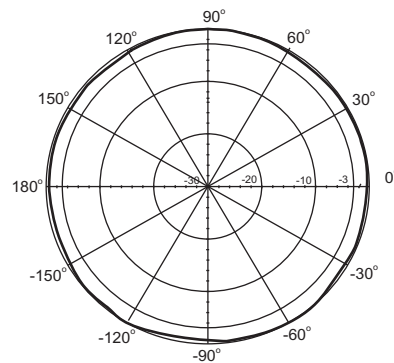
Frequency range	2400 MHz - 2500 MHz
Gain	8.0 dBi
VSWR	2.0 : 1 Max.
Polarization	Linear, vertical
HPBW / horizontal	360°
HPBW / vertical	15°
Downtilt	0°
Power handling	10 W (cw)
Impedance	50 Ohms
Connector	N female



Environmental & Mechanical Characteristics

Survival wind speed	216 km/hr
Temperature	- 40°C to +80°C
Humidity	95% @ 25° C
Lightning protection	DC ground
Radome color	Gray-white
Radome material	Fiber glass
Weight	0.34kg
Dimensions	φ19 x 520 mm

H-plane Co-polarization Pattern



V-plane Co-polarization Pattern

