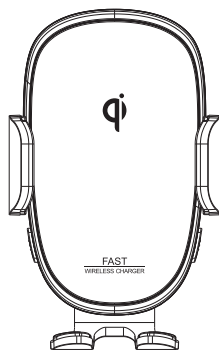


WP31- (A,B,C,D)
User Manual
 Model: WP31- (A,B,C,D)

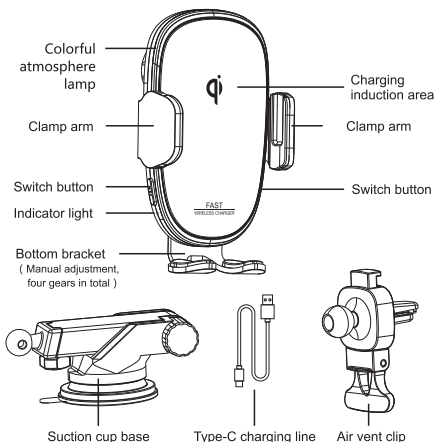


Thank you for using this product,
 please read the instructions carefully before using !

Product Introduction

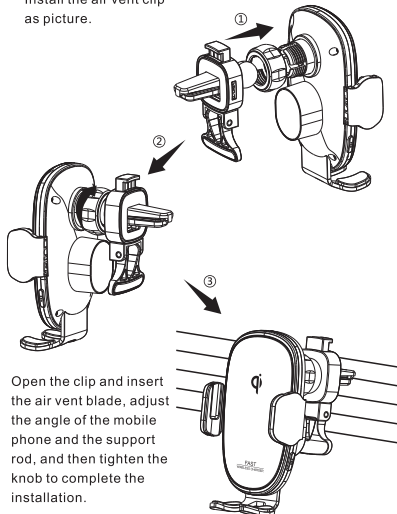
This product is an intelligent wireless charging device with auto induction shrinkage, and smart counter wireless charging point, allowing you to easily experience the wireless fun of smart digital products.

Product Description



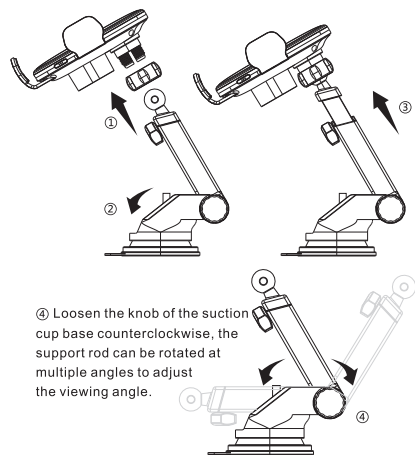
Installation Steps

Install the air vent clip as picture.



Open the clip and insert the air vent blade, adjust the angle of the mobile phone and the support rod, and then tighten the knob to complete the installation.

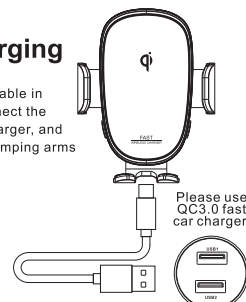
- 1 Connect the suction cup base to the product, insert the universal ball into the nut first, then insert it into the bolt on the back of the product and tighten the nut clockwise.
- 2 Place the base on the dashboard or windshield, press the vacuum switch to fix it.
- 3 Open the retractable arm, stretch and adjust the support arm.



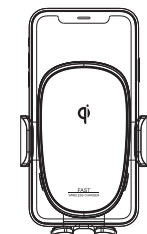
- 4 Loosen the knob of the suction cup base counterclockwise, the support rod can be rotated at multiple angles to adjust the viewing angle.

Phone Charging

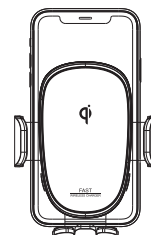
1. Use the Type-C cable in the package to connect the holder to the car charger, and the left and right clamping arms open automatically.



Please use QC3.0 fast car charger.



2. Place the phone on the wireless charging bracket, the clamping arms automatically clamp the mobile phone.



3. Press the switch button on one side, the clamp arm will automatically open, and the phone can be taken out at this time.

Product Parameter

Material: ABS+PC
 Input: 5V/9V/12V \Rightarrow 2A(MAX)
 Output: 5W / 7.5W / 10W / 15W(MAX)
 Input port: Type C
 Applicable size: 4.5-6.7 inch mobile phone
 Applicable place: Air outlet/ Dashboard/ Windshield

Precautions

- Please place it out of the reach of children.
- Cannot be used in humid environments.
- It is forbidden to disassemble the product without authorization.
- Please avoid violently hitting or bumping this product.
- Non-professionals, please do not open or repair this product by yourself.
- This product belongs to the motor gear bite control, please do not use external force to move the left and right clamp arms.
- Pay attention that this product needs to be equipped with QC2.0/QC3.0 and other formal certified car chargers to adapt.
- This product uses the principle of wireless charging and capacitive sensing, which is put and used, touch and take.

Tips

The back of the phone cannot have ring buckles, items that increase the thickness of the phone, or metal objects. The above items will affect the use and charging efficiency of the phone's wireless charging.

FCC Warning

This device complies with part 15 of the FCC Rules. Operation is subject to the following two conditions:
 (1) This device may not cause harmful interference, and
 (2) this device must accept any interference received, including interference that may cause undesired operation. Any Changes or modifications not expressly approved by the party responsible for compliance could void the user's authority to operate the equipment. This equipment has been tested and found to comply with the limits for a Class B digital device, pursuant to part 15 of the FCC Rules. These limits are designed to provide reasonable protection against harmful interference in a residential installation. This equipment generates uses and can radiate radio frequency energy and, if not installed and used in accordance with the instructions, may cause harmful interference to radio communications. However, there is no guarantee that interference will not occur in a particular installation. If this equipment does cause harmful interference to radio or television reception, which can be determined by turning the equipment off and on, the user is encouraged to try to correct the interference by one or more of the following measures:
 - Reorient or relocate the receiving antenna.
 - Increase the separation between the equipment and receiver.
 - Connect the equipment into an outlet on a circuit different from that to which the receiver is connected.
 - Consult the dealer or an experienced radio/TV technician for help. FCC RF exposure statement: The equipment complies with FCC radiation exposure limits set forth for an uncontrolled environment. This equipment should be installed and operated with minimum distance between 20cm the radiator your body.