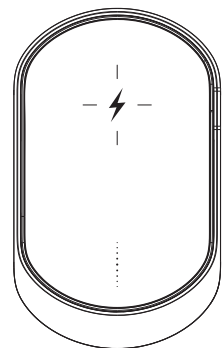


Magnetic Positioning
Wireless Charging Vehicle Support

User Manual

Model : WP26



Thank you for using this product,
please read the instructions carefully before using !

Product Parameters

Material: ABS + PC Input: 5V / 2A, 9V / 2A, 12V / 1.5A

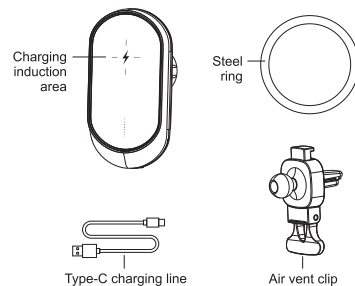
Output: 5W / 7.5W / 10W / 15W (max)

Input Interface: Type-C

Applicable Mobile Phones: iPhone 12 / 13 and above and mobile phones with wireless charging function (steel sheet is required)

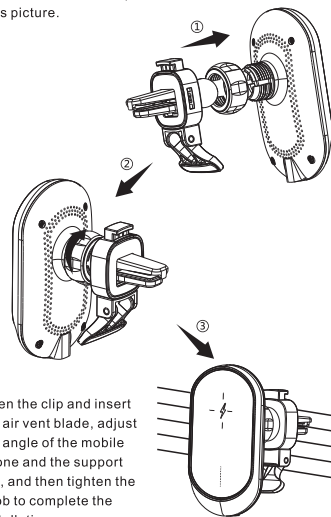
Applicable Scenario: Automobile air outlet / instrument panel / front windshield

Product Description



Installation Steps

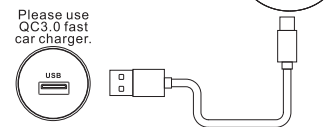
Install the air vent clip as picture.



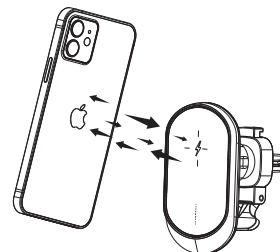
Open the clip and insert the air vent blade, adjust the angle of the mobile phone and the support rod, and then tighten the knob to complete the installation.

Phone Charging

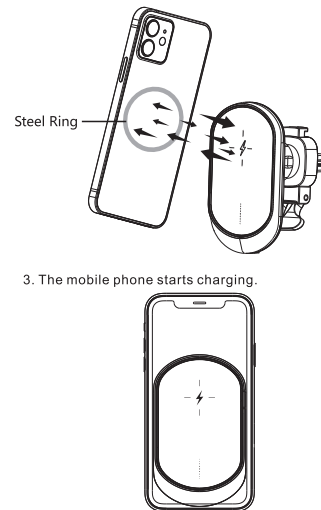
1. Use the Type-C cable in the package to connect the holder to the car charger.



2.1. When your mobile phone is iPhone 12 series or above, place the back of the mobile phone near the charging sensing area of the wireless charging bracket, and the mobile phone will automatically adsorb with the bracket.



2.2. When your mobile phone is iPhone 8 ~ iPhone 11 series or Android system mobile phone, tear off the 3M glue of the steel ring and paste the steel ring in the center of the back of the mobile phone. Then put the back of the mobile phone near the charging sensing area of the wireless charging bracket, and the mobile phone and the bracket will automatically adsorb.



3. The mobile phone starts charging.

Product Features

- built in magnet, automatic adsorption, one touch charging.
- built in new intelligent power management chip, the mobile phone does not need to be set, put it down for 0.1s and enter the wireless charging mode.
- luxury fast charging, rapid blood return without waiting. 15W fast charging makes you feel the fun of fast charging.
- soft atmosphere light, which is not dazzling.
- inductive charging can be realized as soon as it is placed, and 360° posture is not limited.
- low temperature in the whole process, fast charging, no scalding, safety and security.
- charging at full speed with ease.

Precautions

- Please place it out of the reach of children.
- Cannot be used in humid environments.
- It is forbidden to disassemble the product without authorization.
- Please avoid violently hitting or bumping this product.
- Non-professionals, please do not open or repair this product by yourself.
- This product belongs to the motor gear bite control, please do not use external force to move the left and right clamp arms.
- Pay attention that this product needs to be equipped with QC2.0/QC3.0 and other formal certified car chargers to adapt.
- This product uses the principle of wireless charging and capacitive sensing, which is put and used, touch and take.

Tips

The back of the phone cannot have ring buckles, items that increase the thickness of the phone, or metal objects. The above items will affect the use and charging efficiency of the phone's wireless charging.

FCC Requirement

Any changes or modifications not expressly approved by the party responsible for compliance could void the user's authority to operate the equipment.
This device complies with Part 15 of the FCC Rules. Operation is subject to the following two conditions:
(1) this device may not cause harmful interference, and
(2) this device must accept any interference received, including interference that may cause undesired operation.

Note: This equipment has been tested and found to comply with the limits for a Class B digital device, pursuant to Part 15 of the FCC Rules. These limits are designed to provide reasonable protection against harmful interference in a residential installation. This equipment generates, uses, and can radiate radio frequency energy, and if not installed and used in accordance with the instructions, may cause harmful interference to radio communications. However, there is no guarantee that interference will not occur in a particular installation. If this equipment does cause harmful interference to radio or television reception, which can be determined by turning the equipment off and on, the user is encouraged to try to correct the interference by one or more of the following measures:

- Reorient or relocate the receiving antenna.
- Increase the separation between the equipment and the receiver.
- Connect the equipment into an outlet on a circuit different from that to which the receiver is connected.
- Consult the dealer or an experienced radio/TV technician for help.