

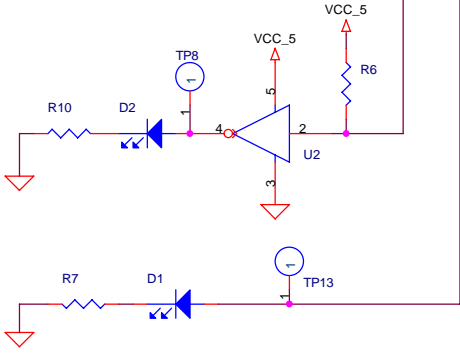
**VCC\_Ext : 5.0 V**  
**VCC\_GPS : 3.3 V**  
**VCC\_BT : 2.8 V**

TP1 : Charge IC Output  
 TP2 : VCC\_GPS  
 TP3 : VL\_DET  
 TP4 : Bluetooth\_RX  
 TP5 : Bluetooth\_TX  
 TP6 : Bluetooth\_CTS  
 TP7 : Bluetooth\_RTS  
 TP8 : Blue\_LED (GPIO13)  
 TP9 : Up\_Load\_PAD\_Boot  
 TP10 : Up\_Load\_PAD\_GND  
 TP11 : Up\_Load\_PAD\_VCC\_GPS  
 TP12 : Up\_Load\_PAD\_RX  
 TP13 : Power\_Indicator(GPIO10)  
 TP14 : Up\_Load\_PAD\_TX

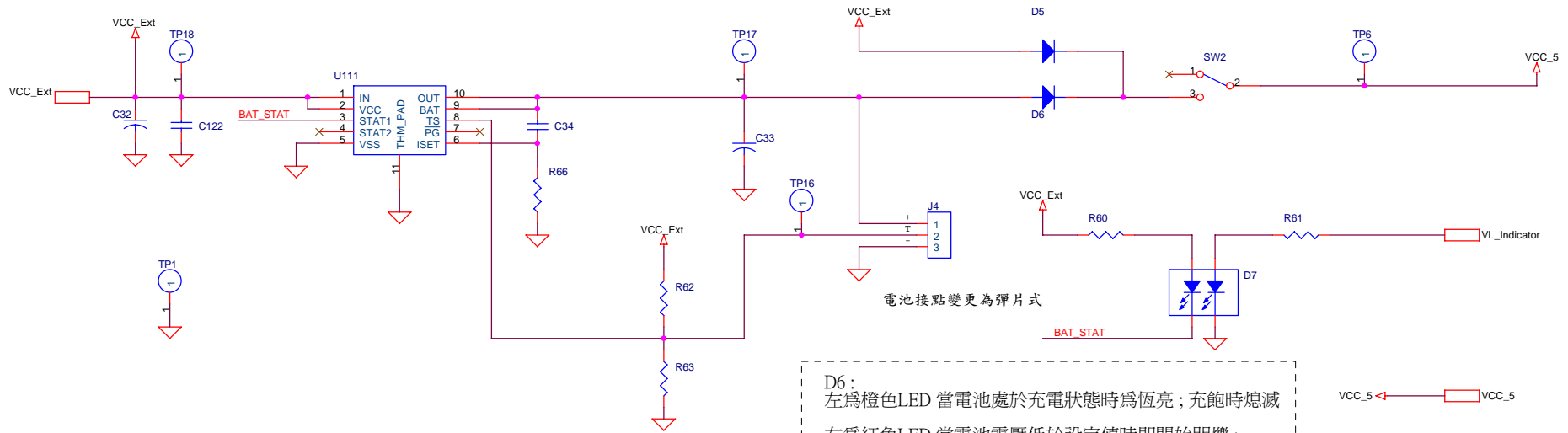
GPIO Function:  
 GPIO\_1: Pull High  
 GPIO\_3: No Use  
 GPIO\_4: RFPFC1  
 GPIO\_5: Pull High  
 GPIO\_6: Pull High  
 GPIO\_7: VL\_indicator  
 GPIO\_8: RF\_Regulator\_Control(SHDN)  
 GPIO\_9: TIMEMARK  
 GPIO\_10: Power\_indicator  
 GPIO\_13: Blue LED  
 GPIO\_15: VL\_DET

Blue LED:  
 熄滅(無連結);  
 閃爍(已連結)

Green LED:  
 恆亮(GPS No Fixd);  
 閃爍(GPS Fixd)

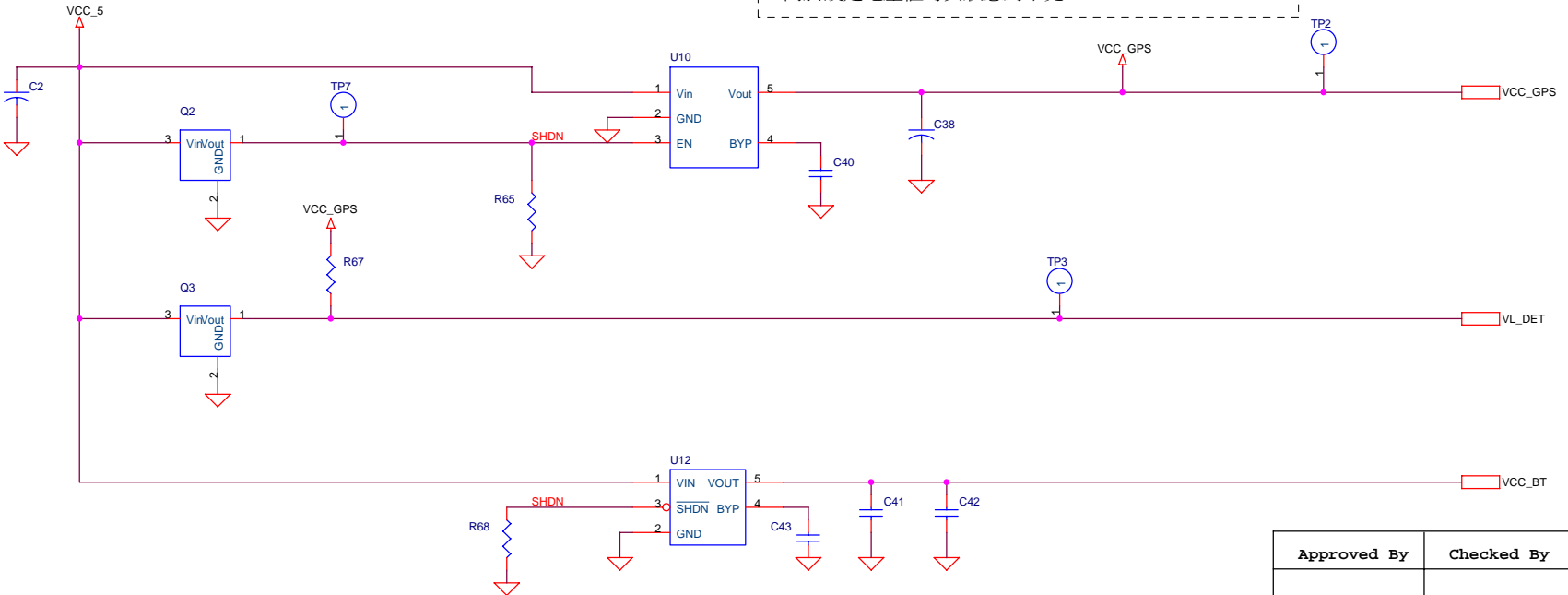


Approved By	Checked By	Prepared By
<b>RoyalTek</b>		
<b>RBT-1000 BlueGPS ROOT</b>		
Size	Document Number	Rev
Custom	<b>9K-1001</b>	1.0
Date:	Wednesday, April 21, 2004	Sheet 1 of 6

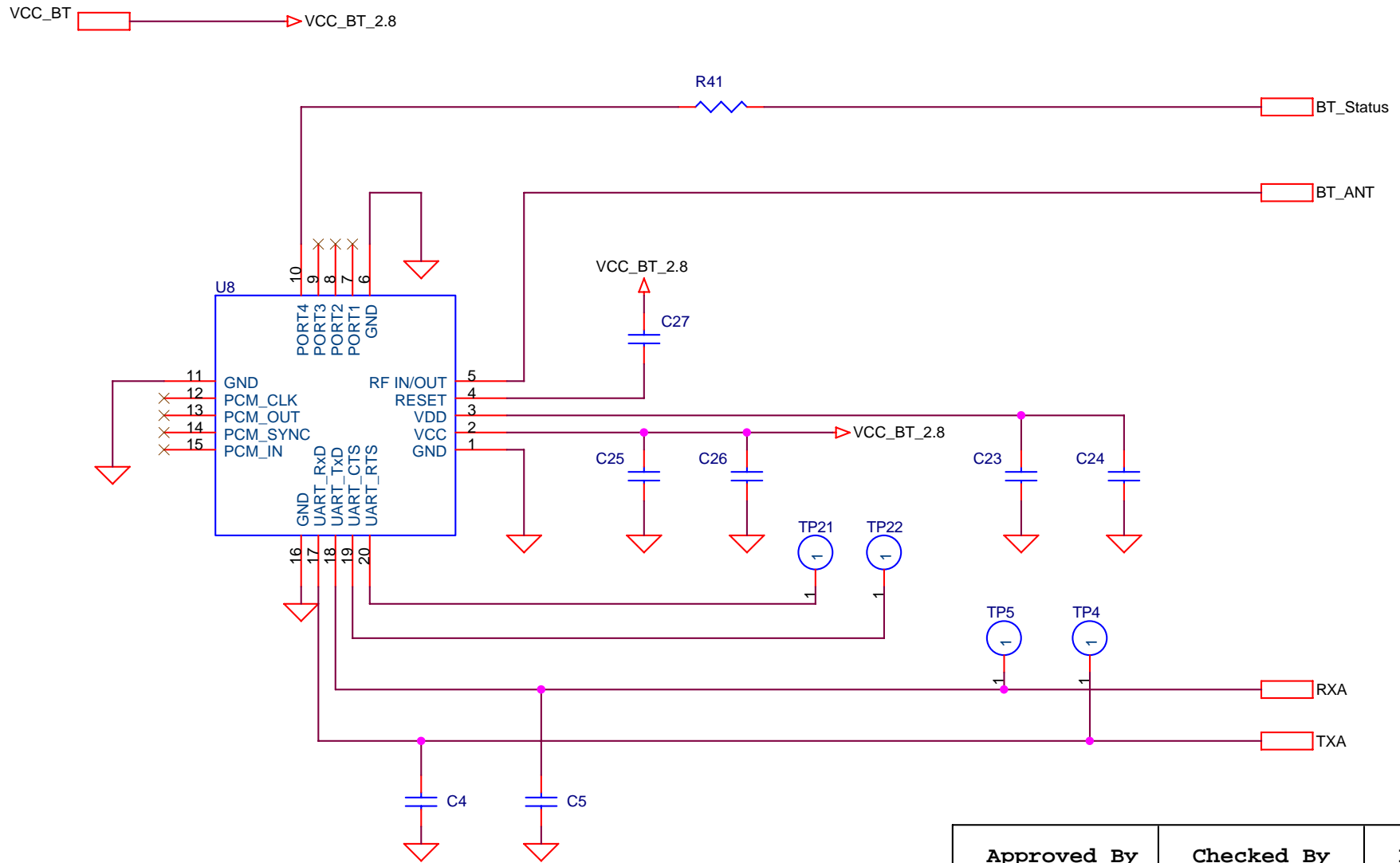


電池接點變更為彈片式

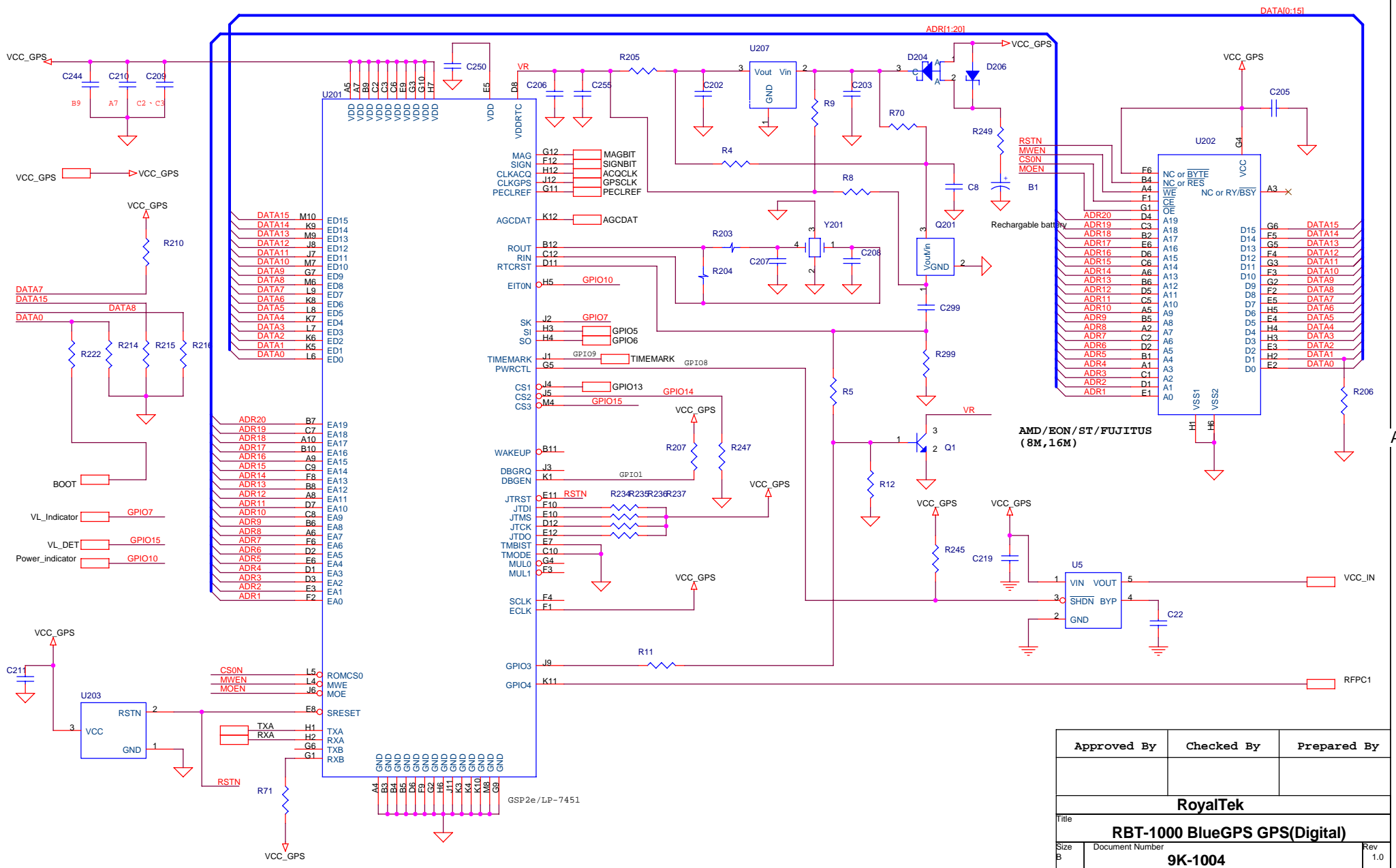
D6:  
 左為橙色LED 當電池處於充電狀態時為恆亮；充飽時熄滅  
 右為紅色LED 當電池電壓低於設定值時即開始閃爍；  
 高於設定電壓值時其狀態為不亮



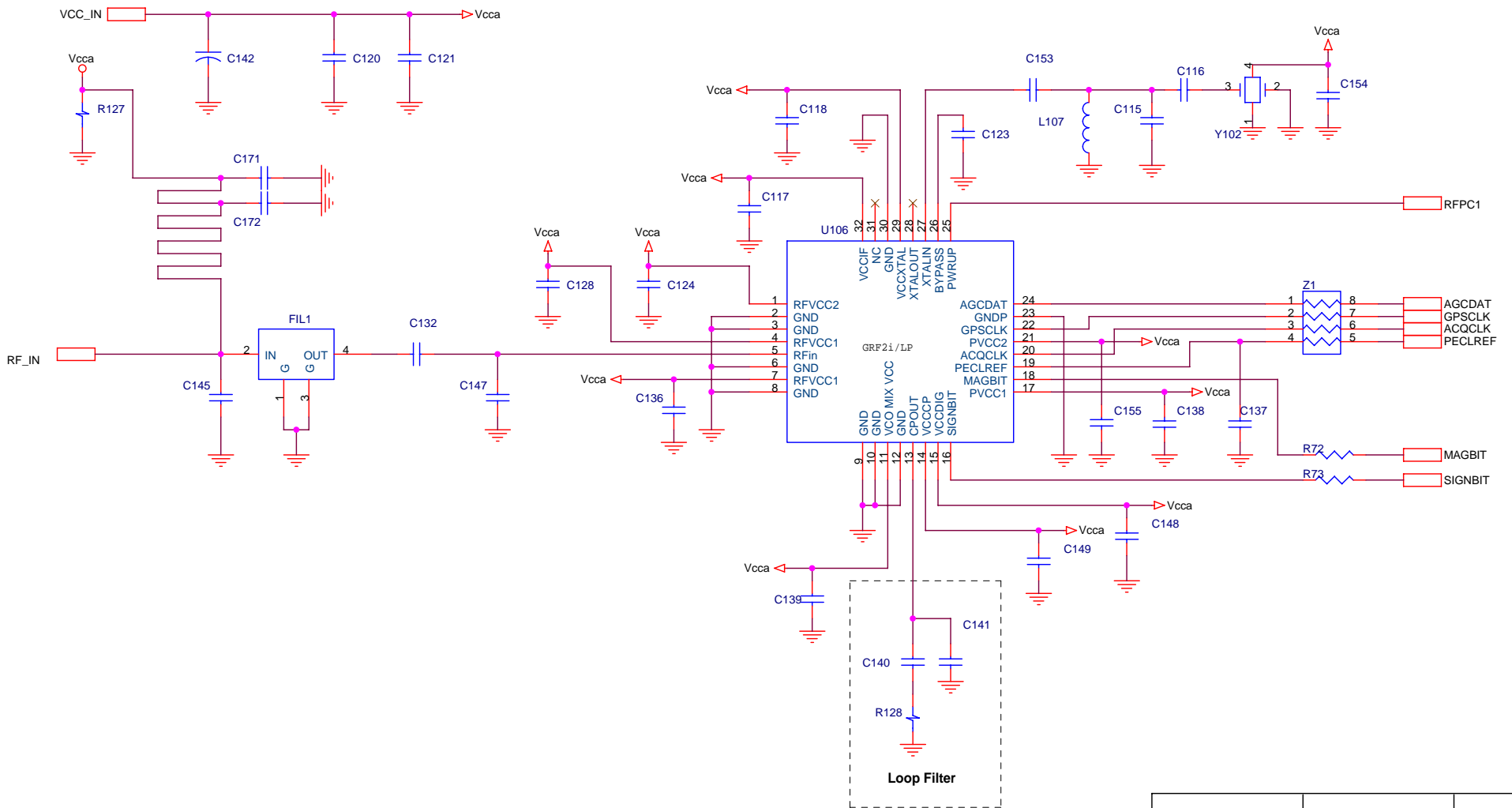
Approved By	Checked By	Prepared By
<b>RoyalTek</b>		
<b>RBT-1000 BlueGPS POWER</b>		
Size Custom	Document Number <b>9K-1002</b>	Rev 1.0
Date: Wednesday, April 21, 2004	Sheet 2	of 6



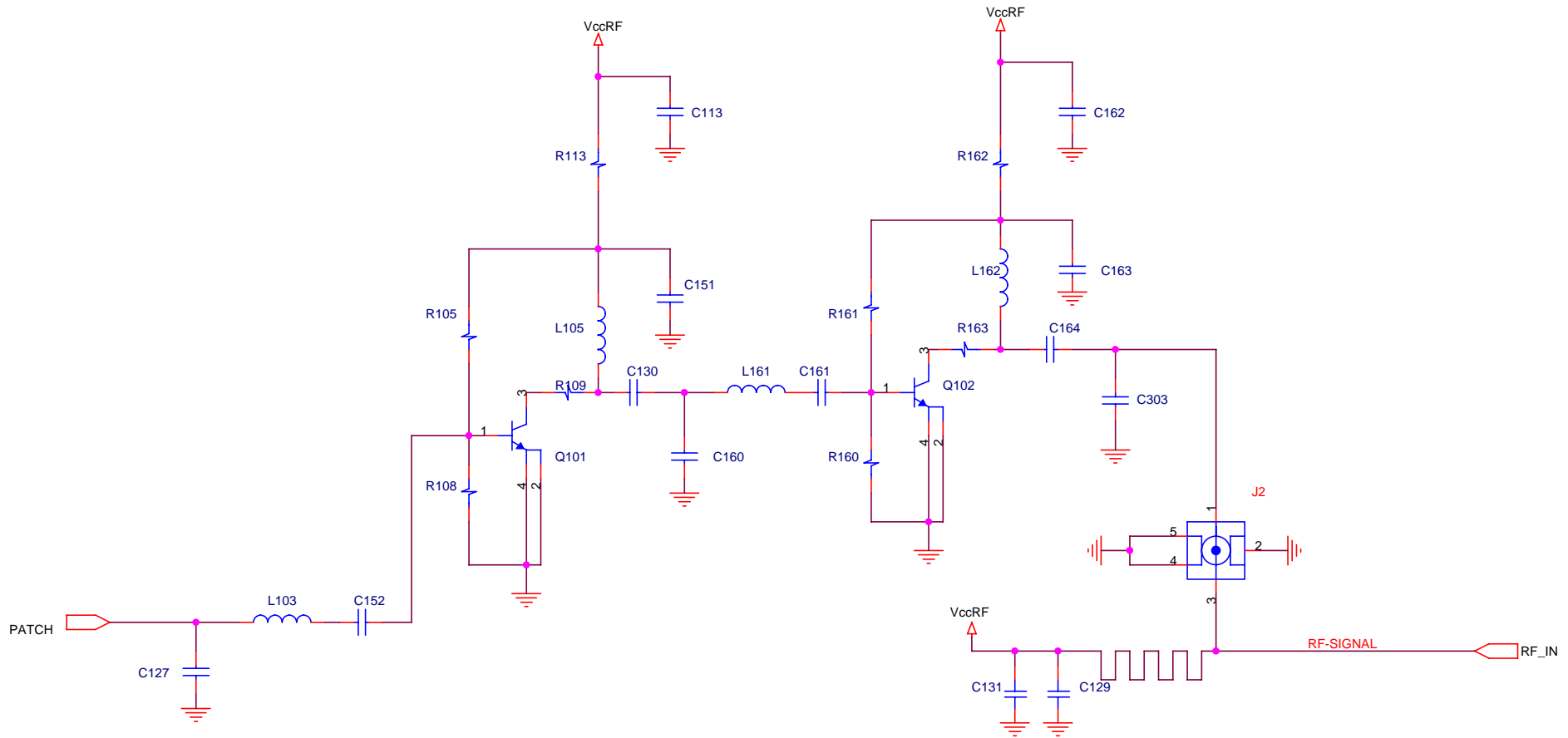
Approved By	Checked By	Prepared By
<b>RoyalTek</b>		
Title		
<b>RBT-1000 BlueGPS BT(ALPS)</b>		
Size	Document Number	Rev
A	<b>9K-1003</b>	1.0
Date:	Wednesday, April 21, 2004	Sheet 3 of 6



Approved By	Checked By	Prepared By
<b>RoyalTek</b>		
Title: <b>RBT-1000 BlueGPS GPS(Digital)</b>		
Size B	Document Number: <b>9K-1004</b>	Rev: 1.0
Date: Thursday, April 22, 2004	Sheet: 4	of 6



Approved By	Checked By	Prepared By
<b>RoyalTek</b>		
Title		
<b>RBT-1000 BlueGPS GPS(RF)</b>		
Size	Document Number	Rev
Custom	<b>9K-1005</b>	1.0
Date:	Wednesday, April 21, 2004	Sheet 5 of 6



Approved By	Checked By	Prepared By
<b>RoyalTek</b>		
Title		
<b>RBT-1000 BlueGPS GPS_LNA(2 STAGE)</b>		
Size	Document Number	Rev
Custom	<b>9K-1006</b>	1.0
Date:	Wednesday, April 21, 2004	Sheet 6 of 6