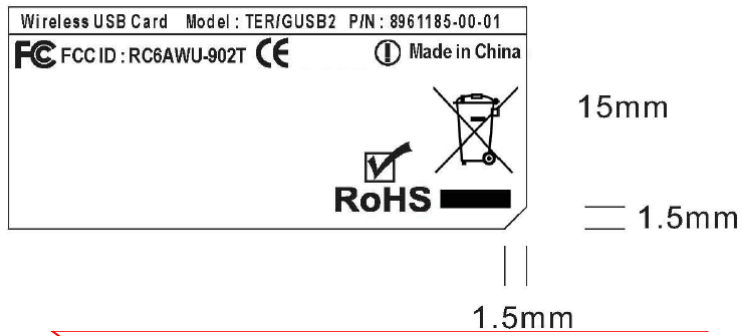


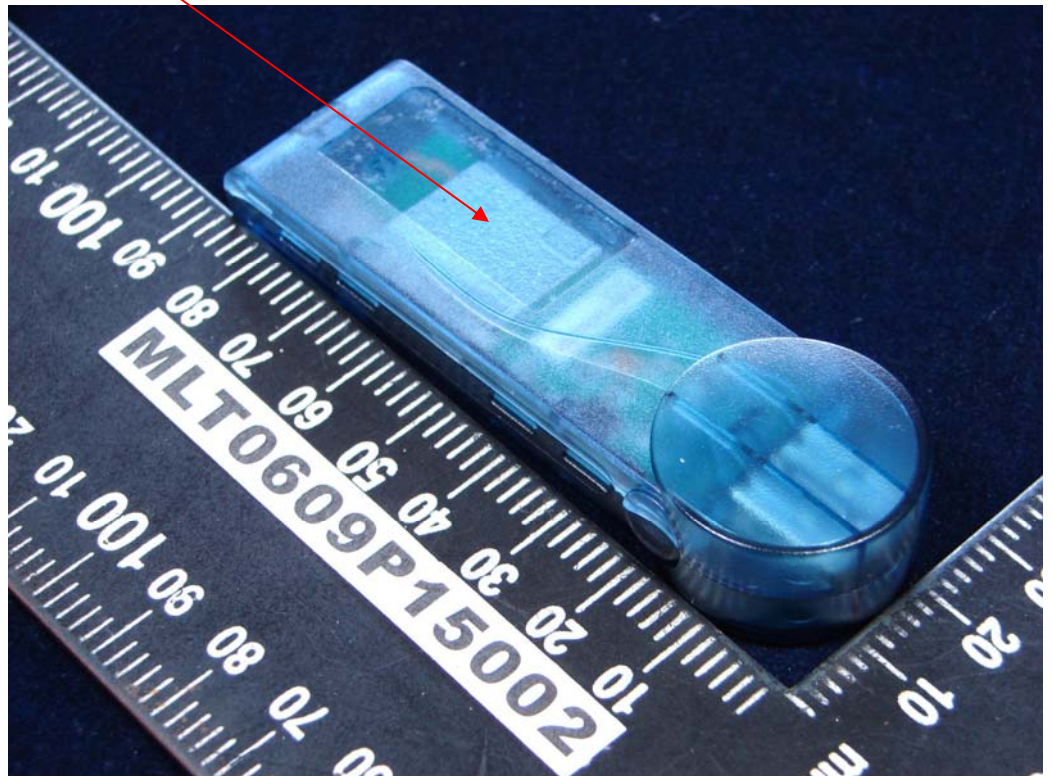
Label Format:



35mm



**Label Position:
Equipment Label**



Rear View