



USER MANUAL

Elo Touch Solutions
Elo[®] Tablet

SW602113 Rev A

Table of Contents

Read this first	3
Chapter 1: Product Overview	7
Product Description	7
Precautions	7
Tablet Layout.....	8
Tablet Docking Station (optional accessory) Layout.....	12
Accessories (optional)	15
Features.....	16
Specifications	18
Chapter 2: Getting Started.....	20
Unpacking the Tablet.....	20
Installing the Battery into your Tablet.....	20
Charging your Tablet and/or Battery	20
Using the Multi-touch Screen	23
Using the Onscreen Keyboard	24
Using the Elo Tablet Stylus.....	24
Screen Lock Mode	25
Chapter 3: Docking Station	27
General Mounting Information	27
Unpacking the Docking Station.....	27
Chapter 4: Operation.....	30
Power	30
Charging Battery.....	31
Audio	31
Chapter 5: Technical Support.....	32
Solutions to Common Problems	32
Technical Assistance	32
Chapter 6: Safety & Maintenance	33
Tablet Care and Handling	34
Tablet Battery Care and Handling.....	34
Waste Electrical & Electronic Equipment.....	34
Chapter 7: Regulatory Information	36
Chapter 8: Warranty Information	39

Read this first

Before using the tablet, read the important safety and handling information (this section), Safety & Maintenance (Chapter 6), Regulatory Notice (Chapter 7), and the Warranty Information (Chapter 8) chapters in this user manual.

This section provides guidance on the safe handling and use of your tablet. Please read to understand all of the details.

Important safety and handling information

To avoid personal injury, property damage, or accidental damage to your Elo Tablet (hereafter referred to as the tablet), please read through all of the information provided in this section before using the tablet.

For detailed operating instructions, refer to the Tablet User Manual (this publication).

Handle your tablet with care:

Do not drop, bend, puncture, insert foreign objects, or place heavy objects on your tablet, as this may damage the tablet. Your tablet screen is made of glass, and may break if the tablet is dropped on a hard surface, subjected to high impact, or crushed by a heavy object. In the event that the glass chips or cracks, do not touch the broken glass or attempt to remove it from the tablet. Stop using the tablet immediately and contact Elo technical support for repair, replacement, and/or disposal information.

Do not disassemble or modify your tablet:

Your tablet is a sealed unit and is not user-serviceable, meaning it is not designed for disassembly or internal hardware modification by end users. All internal repairs must be done by an Elo-authorized repair facility or an Elo-authorized technician. Attempting to disassemble or modify your tablet will void any warranty.

Prevent your tablet and charger from getting wet:

- Do not immerse your tablet in water or leave it in a location where it can get saturated with water or other liquids.
- Do not use the Elo Tablet AC/DC power adapter kit outdoors.

Battery Safety:

Warning: Using an incompatible battery may increase the risk of fire or explosion. Replace the battery only with a compatible battery purchased from Elo Touch Solutions that is designed to work with your Elo Tablet. Do not use a battery from other tablets.

Do not use/operate your tablet with a damaged battery. Do not charge a damaged battery. A damaged battery may pose a risk of personal injury. Damages include dents or punctures to

battery due to impact or shock, exposure to flame, and/or other deformations. If the battery is damaged, electrolyte may leak from the cells and/or fire may result which may cause personal injury. Handle a damaged or leaking battery pack with extreme care. Contact Elo technical support for replacement and/or disposal information.

Do not disassemble the battery.

Use approved charging methods only:

Use only the AC/DC power adapter kit supplied by Elo Touch Solutions for the tablet. You can safely recharge the tablet battery using any of the following configurations:

1. AC/DC power adapter kit connected to tablet.
2. AC/DC power adapter kit connected to tablet while tablet is mounted onto docking station.
3. AC/DC power adapter kit connected to docking station while tablet is mounted onto docking station.
4. AC/DC power adapter kit connected to docking station while spare battery is installed into battery compartment on docking station, with or without tablet mounted onto docking station.

The AC/DC power adapter kit may heat up during normal operation of your tablet. Ensure adequate ventilation around the charging device. Unplug the charging device if any of the following occurs:

- The charging device has been exposed to rain, liquid, or excessive moisture.
- The charging device shows signs of physical damage.
- You want to clean the charging device.

Elo is not responsible for the performance or safety of products not manufactured or approved by Elo.

Prevent hearing damage:

Your tablet has an audio port that allows you to connect headphones (also called a headset) or earphones to the tablet.

CAUTION:

Excessive sound pressure from earphones and headphones can cause hearing loss. Adjustment of the equalizer to maximum increases the earphone and headphone output voltage and the sound pressure level. Therefore, to protect your hearing, adjust the equalizer to an appropriate level.

Take care when using your tablet in a motor vehicle or on a bicycle:

Always prioritize your safety and the safety of others. Follow the law. Local laws and regulations might govern how you can use mobile electronic devices, such as your tablet, while you drive a motor vehicle or ride a bicycle.

Dispose according to local laws and regulations:

When your tablet reaches the end of its useful life, do not crush, incinerate, immerse in water, or dispose of your tablet in any manner contrary to local laws and regulations. Some internal parts contain substances that can explode, leak, or have an adverse environmental affect if disposed of incorrectly.

See Chapter 6 “Safety & Maintenance” for additional information on how to appropriately dispose of your tablet at the end of its useful life.

Keep your tablet and accessories away from small children:

Your tablet contains small parts that can be a choking hazard to small children. Additionally, the glass screen may break or crack if dropped on or thrown against a hard surface.

Protect your data and software:

Do not delete or change the name of files or directories that were not created by you; as this may prevent the tablet software from operating properly.

Be aware that accessing network resources can render your tablet vulnerable to computer viruses, hackers, spyware, and other malicious activities that might damage your tablet, software, or data. It is your responsibility to ensure that your tablet have adequate protection in the form of firewalls, antivirus software, and anti-spyware software and keep them up to date.

Keep electrical appliances such as an electric fan, radio, high-powered speakers, air conditioner, and microwave oven away from your tablet because the strong magnetic fields generated by these appliances can damage the screen and the data on the tablet.

Take precautions with plastic bags:

The tablet comes with plastic packaging material.

DANGER: Plastic bags can be dangerous. Keep plastic bags away from babies and children to avoid danger of suffocation.

Be aware of heat generated by your tablet:

Your tablet may heat up during tablet operation and/or battery charging. The tablet surface temperature depends on the amount of system activity and the level of charge in the battery. Extended contact with your body, even through clothing, could cause discomfort or even a skin burn. Avoid placing your hands, your lap, or any other parts of your body in contact with a hot section of the tablet for any extended time. When removing the tablet from its docking station, please take caution before holding the tablet by the hand strap as the tablet may be hot.

Radio Frequency (RF) Energy Exposure When the transmitter and receiver on your device are powered on, they transmit and receive Radio Frequency (RF) energy. The use of wireless technology may be restricted in certain situations or environments where risk of RF interference are perceived or identified as harmful. Turn off your device when instructed to do so by an airline staff, or when posted notices instruct you to do so.

To minimize user RF Energy exposure, keep device further away from body.

Polyvinyl Chloride (PVC) cable and cord notice:

WARNING: Handling the cord on this product or cords associated with accessories sold with this product, will expose you to lead, a chemical known to the State of California to cause cancer, and birth defects or other reproductive harm. ***Wash hands after handling.***

Chapter 1:Product Overview

This chapter provides an overview of the tablet, including the locations of the connectors and controls, tablet features, accessories, specifications, and operating environment.

Product Description

Your new tablet combines Elo Touch Solutions reliable performance with the latest developments in touchscreen technology and display design. This combination creates a natural flow of information between a user and the tablet.

This tablet incorporates a 24-bit color, 1366x768 LCD panel to provide superior display performance with 4-point touch panel. The Elo Tablet's 720p HD resolution is suitable for displaying graphics and images and running applications. This tablet is equipped with a hand strap to assist mobile operation of this device. Other features that enhance this tablet performance include Plug & Play compatibility, built-in speaker and microphone, and an optional docking station (Elo Tablet Dock) that adds an Ethernet, 3 USB, a VGA, and a power interface to the tablet. The tablet is designed to integrate into the tablet docking station without affecting its form factor and without requiring extra cabling.

Optional accessories such as spare batteries, stylus, and spare hand straps are also available for purchase from Elo Touch Solutions.

Precautions

Follow all warnings, precautions and maintenance tips as recommended in this user manual to maximize the life of your unit and prevent risks to user safety. See Chapter 6 for more information on safety.

This manual contains information that is important for the proper setup and maintenance of the tablet and docking station. Before setting up and powering on your new tablet and docking station, read through this manual.

Tablet Layout

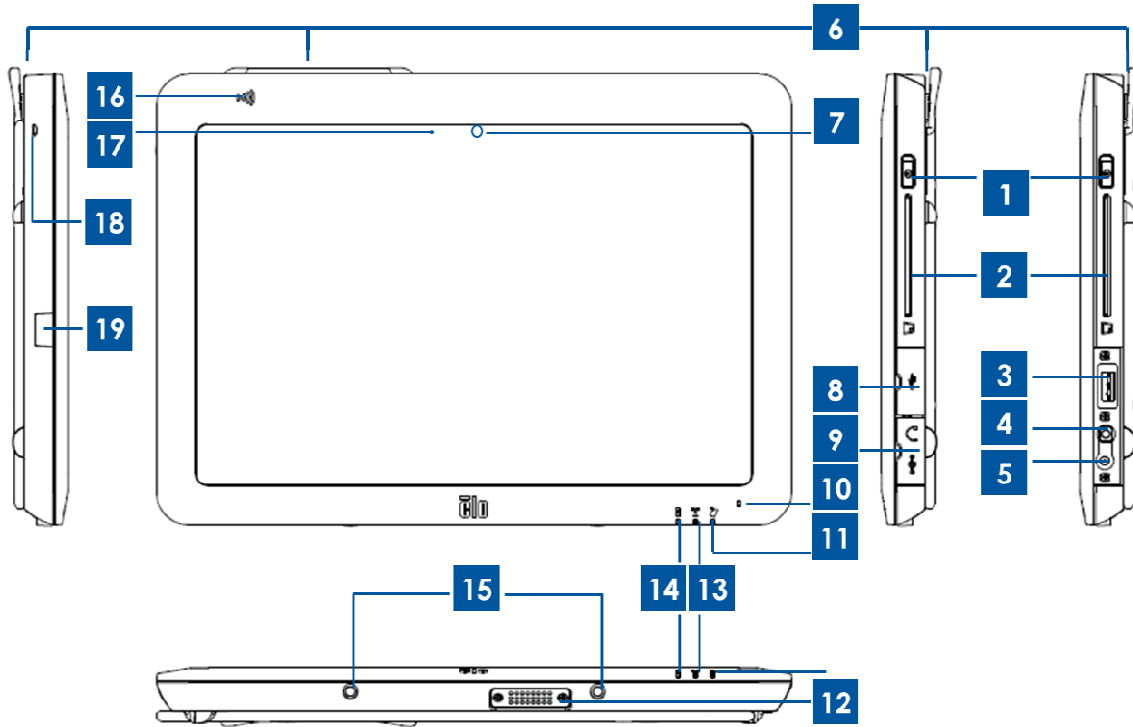


Figure 1. Tablet front and side view

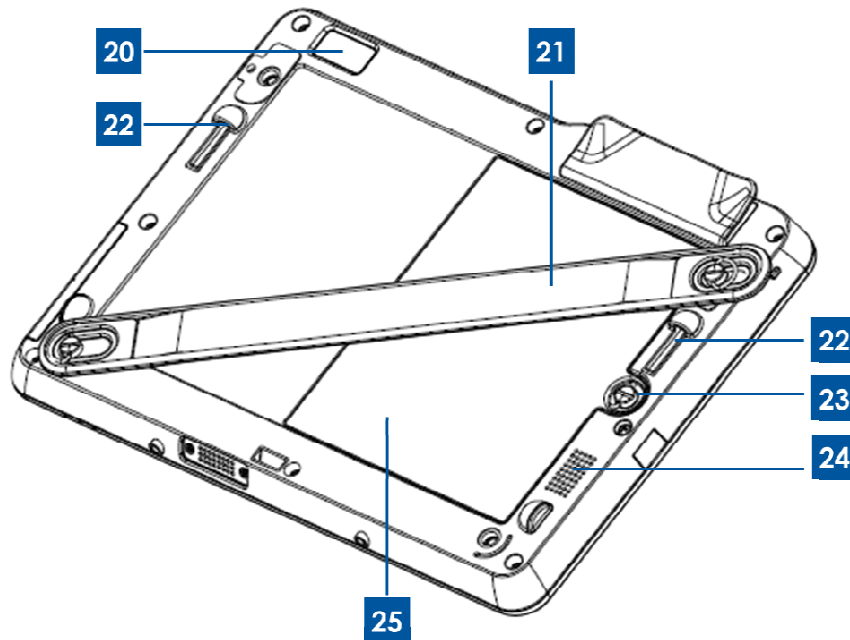


Figure 2. Tablet back view

1	Power button	14	Battery indicator LED
2	Smart Card Reader (SCR)	15	Dock pin ports (bottom)
3	USB port	16	Near Field Communication (NFC) reader
4	Audio port (green)	17	Ambient light sensor
5	Power port (yellow)	18	Tablet stylus string holes
6	Magnetic Stripe Reader (MSR)	19	Tablet stylus holder port cover
7	Front-facing camera	20	Rear-facing camera
8	USB port cover	21	Hand strap
9	Power / Audio port cover	22	Dock pin ports (top)
10	Microphone (built-in)	23	Battery screw
11	Payment LED	24	Speaker (built-in)
12	Tablet-Dock connector	25	Battery
13	Wireless indicator LED	26	-

1. Power button

Press the power button to turn on / off the tablet (set by default). When operating in Windows the tablet can also be turned off by shutting it down via the Start Menu. Next to the power button is an LED light that displays:

- Solid green light when the tablet is on.
- Blinking green light when the tablet is on standby/sleep.
- No light when the tablet is off.

2. Smart Card Reader

Your tablet has a Smart Card Reader, refer to “Payment Features” section in Chapter 2 for more information.

3. USB port

Use the full-size USB port to connect a compatible USB device (e.g. storage device or other external peripherals).

4. Audio port

Headphones, microphones, and headsets with integrated microphones can be connected to the tablet via the audio port. Do not plug headphones, microphones, and headsets into the power port. The green audio port is distinguishable from the yellow power port. Plug in headphones to tablet before turning headphones on or putting them on your ears.

5. Power port

Plug the DC cable of the AC/DC power adapter kit into the power port to power and charge the tablet. Do not plug the DC power cable into the audio port. The yellow power port is distinguishable from the green audio port.

6. Magnetic Stripe Reader

The tablet has a built in magnetic stripe reader and can read various credit cards and other cards (e.g. loyalty cards, drivers licenses). Refer to “Payment Features” section in Chapter 2 for more information.

7. Front-facing camera

Your tablet has a 2-megapixel front-facing camera, which you can use to take pictures, create videos, or make video calls.

8. USB port cover

Open the USB port cover to access the full-size USB port.

9. Power/Audio port cover

Open the power/audio port cover to access the power and audio port.

10. Microphone (built-in)

The built-in microphone captures sound and voice when it is used with an application that is capable of using audio input.

11. Payment LED

Flashes when Magnetic Swipe Reader, NFC Reader, or Smart Card Reader successfully captures data.

12. Tablet-Dock connector

When the tablet is mounted properly onto the Elo Tablet Dock, this connector connects with the Dock-Tablet connector located on the docking station to establish connection between the two devices. Refer to Chapter 3 for more information on tablet integration to the docking station.

The optional Elo Tablet Dock is available for purchase from Elo Touch Solutions.

13. Wireless indicator LED

Flashes green when the tablet is connected to a Wi-Fi network and flashes blue when the tablet Bluetooth is on.

14. Battery indicator LED

This light-emitting diode will:

- Display solid green light when the battery is fully charged
- Flash amber light when the battery is charging.

15. Dock pin ports (bottom)

When mounting the tablet onto the docking station, align the docking station docking pins with the tablet docking pins to ensure proper mounting. For more information on how to mount the tablet onto the docking station, refer to Chapter 3.

16. Near Field Communication(NFC)

Your tablet has Near Field Communication function, refer to “Payment Features” section in Chapter 2 for more information.

17. Ambient light sensor

The built-in ambient light sensor detects the brightness of the environment and allows the screen brightness to automatically adjust according to ambient light conditions.

18. Tablet Stylusstring holes

These holes may be used to tether a stylus to the tablet.

19. Tablet Stylusholder port cover

Open the tablet stylusholder port cover to access the tablet stylusholder port. The Elo Tablet stylus accessory comes with a holder that can be installed into this port. You can use the holder to store your tablet stylus.

20. Rear-facing camera

Your tablet has a 2-megapixel rear-facing camera, which may be used for barcode reading functionality in addition to picture or video capture.

21. Handstrap

Use the hand strap to ease mobile use of the tablet. The hand strap comes with thumb screws for easy user installation/uninstallation onto the tablet. The hand strap can be installed onto the tablet for right hand use or for left hand use. Refer to Chapter 2 for more information on how to install/uninstall the hand strap onto the tablet.

22. Dock pin ports (top)

When mounting the tablet onto the docking station, align the docking station docking pins with the tablet docking pins to ensure proper mounting. For more information on how to mount the tablet onto the docking station, refer to Chapter 3.

23. Battery Screw

Loosen the battery thumb screw to remove the battery from the tablet. Tighten the battery thumb screw to secure a battery onto the tablet.

24. Speaker (built-in)

The integrated speaker provides audio output for video and music playback.

25. Battery

The tablet battery is a Lithium-ion battery with a rating of 41.81 Wh. For more information regarding agency approval of the tablet battery, refer to Chapter 7.

Tablet Docking Station (optional accessory) Layout

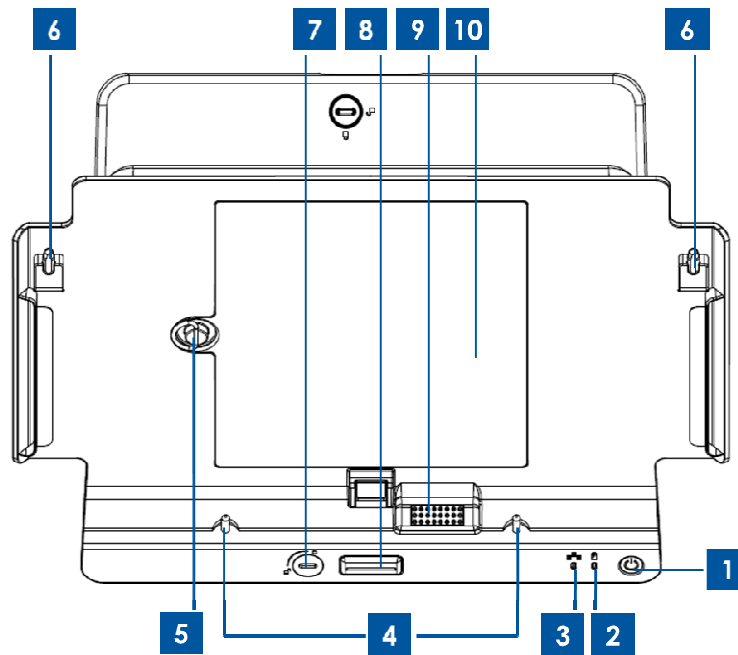


Figure 3. Tablet docking station front view

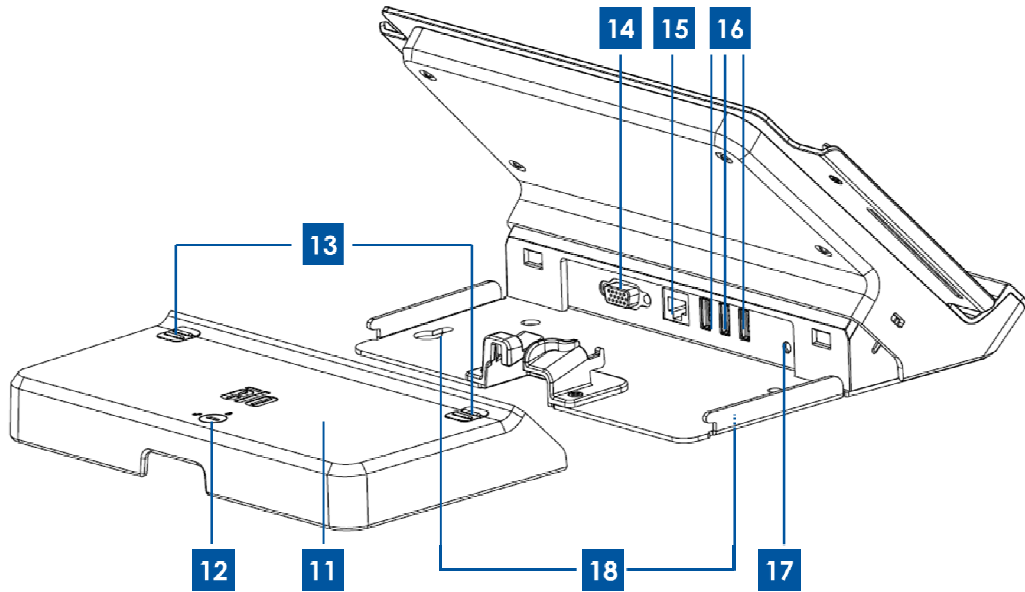


Figure 4. Tablet docking station rearview

1	Power button	10	Dock battery compartment
2	Wireless indicator LED	11	Dock cable cover
3	Ethernet indicator LED	12	Dock cable cover lock*
4	Dock alignment pins (bottom)	13	Dock cable cover release buttons
5	Battery Screw	14	VGA port
6	Dock alignment pins (top)	15	Ethernet port
7	Dock lock*	16	USB ports
8	Dock release button	17	Dock power port
9	Dock-Tablet connector	18	Dockscrew holes

****The docking station will come with a set of keys for easy locking/unlocking. If lost, use screwdriver or a similar tool to lock/unlock.***

1. Power button

Press the power button to turn on / off the tablet (set by default). When operating in Windows the tablet can also be turned off by shutting it down via the Start Menu. The power button is equipped with LED light that displays:

- Solid green light when the tablet is on.
- Blinking green light when the tablet is on standby/sleep.
- No light when the tablet is off.

2. Wireless indicator LED

Flashes green when the mounted tablet is connected to a Wi-Fi network and flashes blue when the tablet Bluetooth is on.

3. Ethernet indicator LED

Flashes green when the mounted tablet is connected to a network via an Ethernet cable.

4. Dock alignment pins (bottom)

These pins support tablet mounting onto the docking station. Align and slide these pins into the docking pin ports located on the tablet to mount the tablet to the docking station. For more information on how to mount the tablet onto the docking station, refer to Chapter 3.

5. Battery Screw

Loosen the battery thumb screw to remove battery from the docking station battery compartment. Tighten the battery thumb screw to secure a battery into the docking station battery compartment.

6. Dock alignment pins (top)

These pins support tablet mounting onto the docking station. Align and slide these pins into the docking pin ports located on the tablet to mount the tablet to the docking station. For more information on how to mount the tablet onto the docking station, refer to Chapter 3.

7. Dock lock

Turn this accordingly to lock/unlock a mounted tablet onto the docking station. When in the 'locked' position, pressing the dock release button will not release the tablet from the dock.

8. Dock release button

Press this button to remove the tablet from the docking station. Turning the dock lock to 'locked' position will disable this functionality.

9. Dock-Tablet connector

When the tablet is mounted properly onto the Elo Tablet Dock, this connector connects with the Tablet-Dock connector located on the tablet to establish connection between the two devices. Refer to Chapter 3 for more information on tablet integration to the docking station.

10. Dock battery compartment

To access the dock battery compartment, remove the dock battery compartment door (by loosening its screw) that comes with the docking station. Use this battery compartment to charge a spare battery via the dock. The docking station is designed to allow simultaneous charging of a spare battery mounted in this battery compartment and a tablet mounted onto the docking station.

11. Dock cable cover

Remove dock cable cover to access the USB ports, Ethernet port, and VGA located behind the

docking station.

12. Dock cable cover lock

When the dock cable cover is properly installed to the docking station, turn this accordingly to lock/unlock the cable cover onto the docking station. **Note:** You cannot install the cable cover onto the docking station when it's in the 'locked' position. For more information on how to install/uninstall the cable cover to the docking station, refer to Chapter 3.

13. Dock cable cover release button

Press these buttons to remove the cable cover from the docking station. Turning the dock cable cover lock to the 'locked' position will disable this functionality.

14. VGA port

Use this port to connect a VGA cable between the docking station and an external monitor.

15. Ethernet port

Use this port to connect the tablet to a network via an Ethernet RJ-45 cable.

16. USB ports

Use the full-size USB port to connect a compatible USB device (e.g. storage device, scanner wand, or other external peripherals).

17. Dock power port

Connect the DC cable of the tablet AC/DC power adapter kit to the docking station power port to charge the tablet and/or a spare battery via the docking station.

18. Dock screw holes

Use these holes to mount the docking station to a countertop or other furniture surface.

Note: Mounting screws are not provided with the docking station.

Accessories (optional)

The following optional accessories and spare parts are available for purchase from Elo Touch Solutions. Shown in parenthesis is the Elo orderable part number.

- **Accessory Battery (E840851):** Spare battery for the Elo Tablet.
- **Replacement Hand Strap (E697779):** Replacement hand strap for the Elo Tablet.
- **Replacement Docking Station cable cover (E108413):** Replacement dock cable cover for

the Elo Tablet docking station.

- **Replacement Power Supply (E452058):** Replacement AC/DC power adapter kit for powering and charging the tablet.
- **Stylus (E761200):** Elo Tablet stylus with holder.
- **Docking Station (E518363):** Elo Tablet docking station with battery charging location, Ethernet port, 3 USB ports, and VGA connector.
- **VESA Bracket (E624438):** A VESA mounting bracket which will allow you to mount your tablet onto arms, stands, and other apparatus compatible with VESA 75mm x 75mm mounts. The VESA mounting bracket comes with four screws for fastening it onto the tablet. It does not come with additional mounting screws. When mounting the tablet with VESA mount, use four M4 threaded screws. The VESA mounting bracket allows for a maximum screw depth of 10 mm from the mounting surface. Mounting the tablet with VESA mount with longer screws may damage the tablet.

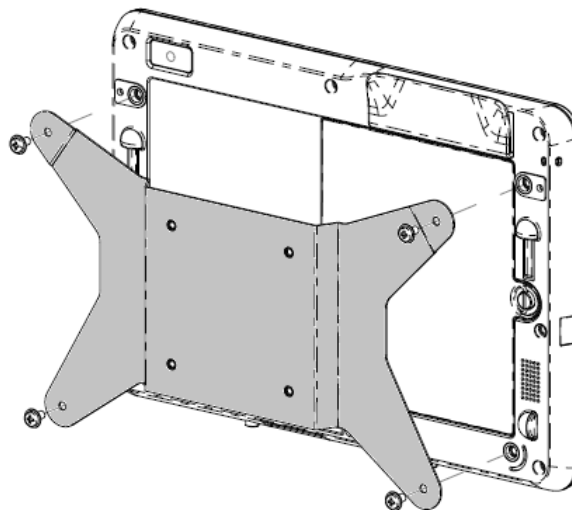


Figure 5. Optional VESA mounting bracket attaches to tablet

Features

Processor

- Intel Atom N2600 Dual Core 1.6 GHz

Operating system options

- Windows Embedded Standard 7 (32-bit)

Memory (RAM)

- 2 GB DDR3 – 1066 MHz (not expandable beyond 2GB)

Storage

- 32 GB SSD

Bios

- Phoenix

Video

- Intel 3600

Chipset

- Intel NM10

Display

- Screen Size : 257 mm (10.1 inches)
- Active Display Area: 222.8 mm x 125.8 mm
- Aspect ratio: 16:9 (wide)
- Native (optimal) resolution: 1366 x 768@ 60 Hz
- Brightness (typical): 380 nits
- Contrast Ratio (typical): 600:1
- Touch Technology : PCAP (Projected Capacitive) MultiTouch (4 touch)
- Automatic brightness control
- Thin Film Transistor Liquid Crystal Display (TFT LCD) technology with LED backlight

Integrated cameras

- Front-facing camera, auto-focus 2 megapixel
- Rear-facing camera, auto-focus 2 megapixel

Connectors

- 1 x USB 2.0 on tablet; 3 x USB 2.0 on docking station
- 1 x LAN RJ45 (10/100Mbps) (when docked in docking station)

Payment features

- Integrated Magnetic Swipe Reader (MSR)
- Internal/integrated Barcode Reader (via rear-facing camera)
- Internal/integrated Smart Card Reader
- Integrated Near Field Communication Reader

Wireless features

- Wi-Fi (802.11 b/g/n, 2.4 Hz band, max. 150 Mbps)
Modulation: CCK, DQPSK, DBPSK

802.11 g: 64 QAM, 16 QAM, QPSK, BPSK
802.11 n: 64 QAM, 16 QAM, QPSK, BPSK

Output Power: 802.11b (11Mbps): 16 ±1.5dBm
802.11g (6Mbps): 15 ±1.5dBm
802.11g (54Mbps): 14 ±1.5dBm
802.11n (HT20, MCS0): 15 ±1.5dBm
802.11n (HT20, MCS7): 13 ±1.5dBm
802.11n (HT40, MCS0): 13 ±1.5dBm
802.11n (HT40, MCS7): 13 ±1.5dBm

Receive Sensitivity: 802.11b: -76 dBm (11Mbps)
802.11g: -65 dBm (54Mbps)
802.11n: -64 dBm at HT20 MCS7
-61 dBm at HT40 MCS7

• Bluetooth 4.0 / 3.0 +HS

Frequency Range: 2402MHz~2483MHz

Modulation: Header GFSK
Payload 2M: π/4 DQPSK
Payload 3M: 8DPSK

Output Power: 10 dBm (Conductive)

Receive Sensitivity: BER < 0.1% (Anritsu 8852B Tx -70Bm)

• Near Field Communication

Other features

- Built-in speaker
- Built-in microphone

Languages

- English (default)
- French
- German
- Italy
- Spain

Specifications

Maximum Dimensions (W x H x D)

- Tablet : 11.52 " x 0.79" x 8.17"
- Docking station : 11.1" x 5.75" 7.8"

Tablet Weight:

- 2 kg (2.2 lb)

Battery

- 41.8 Wh 5650mAh Li-ion battery

Power

- AC 120/220V (50/60 Hz), 36 W
- Typical power consumption (w/o peripherals): 12 Watts – estimated battery run time up to 7 hours

Temperature:

- Operating : 0°C to 40.0°C (32°F to 104°F)
- Storage : -20.0°C to 60°C (4°F to 140°F)

Humidity (non-condensing):

- Operating : 20% to 80%
- Storage : 5% to 95%

If possible, place your tablet in a dry, well-ventilated area without direct exposure to sunshine. Do not use or store your tablet in dusty, dirty areas, or extreme hot or cold areas.

Chapter 2: Getting Started

Unpacking the Tablet

To unpack the tablet:

1. Open the box.
2. Check that the following items are present and in good condition:
 - Tablet
 - Quick Install Guide
 - AC/DC Power adapter kit
 - AC/DC power adapter w/ DC power cable
 - Charger plug adapter for North America, Europe/Korea, and U.K.
 - Battery
3. Remove the protection bag/cover, desiccant packs, and other packaging materials appropriately. Please take extra caution to ensure they are not accessible by small children.
4. Press the power button to start using the tablet. The tablet may need to be charged before initial use. We recommend that the tablet be charged for at least 2.5 hours prior to initial use.

Installing the Battery into your Tablet

To install the battery into the tablet, slide battery into the battery compartment. Tighten the battery screw to properly secure the battery to the tablet.

The tablet battery is designed for easy installation and removal by end users. Turn off and shut down the tablet before removing the battery. The battery can be removed by loosening the battery screw on the back of the tablet. When the tablet is powered by and plugged to the power supply, the battery may be replaced without turning off the tablet.

Additional batteries are available for purchase (**P/N E840851**).

Charging your Tablet and/or Battery

Setting up the AC/DC Power adapter kit:

- Push the release button on the AC/DC Power adapter head, and slide out the protective cover that came with the AC/DC Power adapter kit.
- Select the appropriate charger plug adapter for your region and slide it into the

AC/DC Power adapter head until you hear a click.

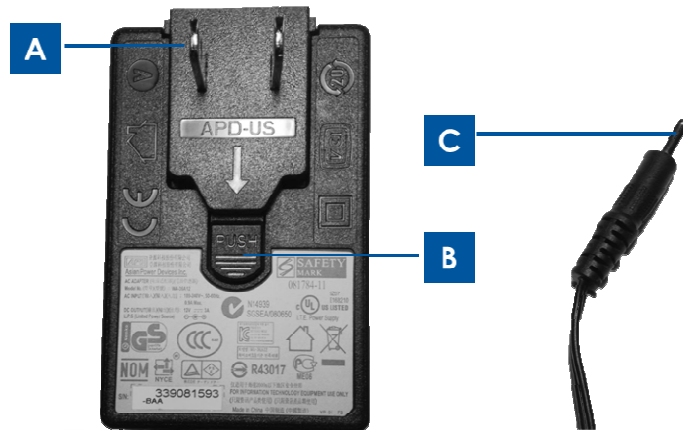


Figure 6. The charger plug adapter (A) is detachable from the AC/DC Power adapter head by pushing the release button (B) and sliding out the charger plug adapter. Plug the AC/DC adapter head (left) into a standard AC power outlet and plug the DC power cable (C) to the yellow tablet power port (5, Figure 1) or yellow docking station power port (17, Figure 4) to charge.

Charging your tablet:

- Plug the DC power cable to the tablet power port.
- Plug the AC/DC adapter head (with the correct charger plug adapter for your region) into a standard AC power outlet.

Note: The tablet is also designed to be able to charge via the optional docking station.

Charging spare tablet battery on optional docking station:

- Remove the dock battery compartment door by loosening its screw. Slide battery into the tablet dock battery compartment and tighten the battery screw to properly secure the battery to the docking station.
- Plug the DC power cable to the tablet docking station power port.
- Plug the AC/DC adapter head (with the correct charger plug adapter for your region) into a standard AC power outlet.

Charging tablet via the optional docking station:

- Mount tablet onto the docking station. Refer to the Tablet Docking Instructions section of Chapter 3.
- Plug the DC power cable to the tablet docking station power port.
- Plug the AC adapter into a standard AC power outlet.

Note: The tablet docking station allows for a tablet and a spare battery to charge simultaneously.

Installing the Hand Strap onto your Tablet

The hand strap is designed for easy user installation/uninstallation to/from the tablet. As shown in Figure 7, the hand strap can be installed onto the tablet in two different orientations for right hand use or for left hand use. If you plan to hold the tablet with your left hand, use the hand strap screw ports on the top left and bottom right (as you face the back of the tablet) on the back of the tablet. If you plan on using your right hand to hold the tablet, use the hand strap screw ports on the top right and bottom left (as you face the back of the tablet) located on the back of the tablet.

To install the hand strap onto the tablet:

1. Align the hand strap such that the slotted screw holder on the hand strap aligns with the designated top hand strap screw port on the back of the tablet. Fasten them together by tightening the screw.
2. Align the screw on the other end of the hand strap with the designated bottom hand strap screw port on the back of the tablet. Fasten them together by tightening the screw.

Figure 8 highlights how the two screw holders located at the two ends of the hand strap differ from each other.

To uninstall the hand strap from the tablet, loosen the two hand strap screws from the hand strap screw ports located on the back of the tablet.

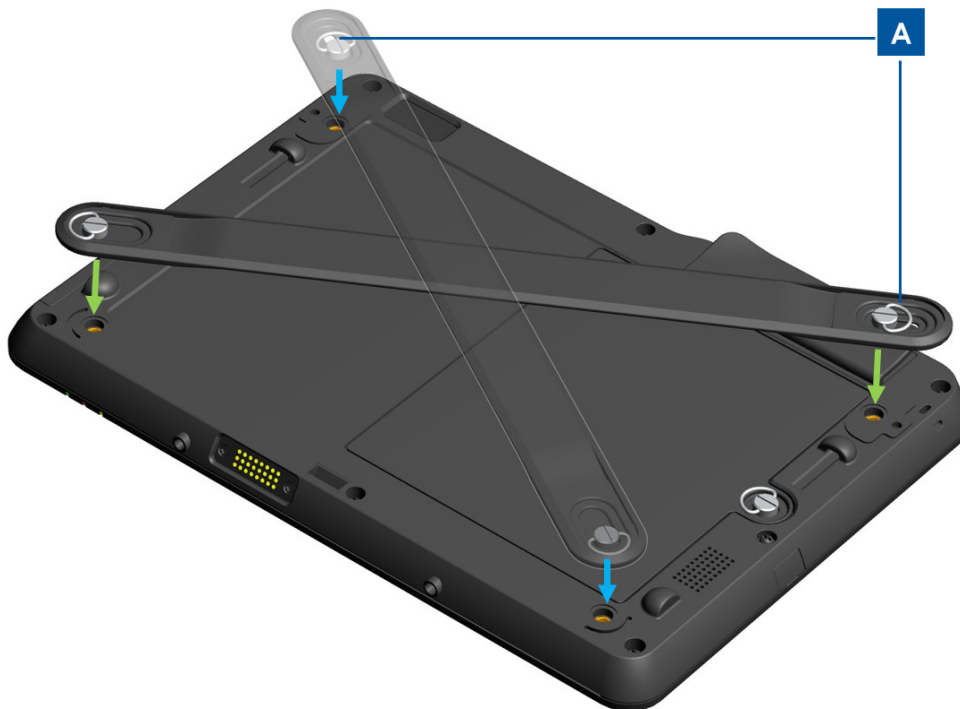


Figure 7. Hand strap can be installed onto tablet in two different orientations:
1) for holding the tablet with left hand (green arrows) and
2) for holding the tablet with right hand (blue arrows). Slotted hand strap screw holder (A)
to be fastened to a top screw port located on the back of the tablet.

Using the Multi-touch Screen

This section provides instructions on how to use the multi-touch screen. **Some of the touch features listed below may not always work, as it depends on whether the gesture or action is supported by the application software you have loaded on your tablet.**

Touch

Tap gently on the screen with your fingertip to select an item, open a menu, or type text using the onscreen keyboard. When operating in Windows, a touch acts like a left mouse click.

Touch and hold

Touch and hold an object or a blank area on the screen until an action occurs. When operating in Windows, a touch and hold acts like a right mouse click.

Drag

To move an item such as an image and an icon on the screen, touch and hold your finger on the item, move your finger to the desired location, and then take your finger off the screen.

Swipe or slide

Move your finger in a vertical or horizontal direction on the screen to scroll through Home screens, Webpages, lists, picture thumbnails, etc.

Zoom

- **Zoom out:** Move two fingers close together on the screen as if you are picking something up to reduce the view of an image or a Web page.
- **Zoom in:** Move two fingers apart on the screen to enlarge the view of an image or a Web page.

Editing

• To cut or copy text:

1. Select the text you want and to copy/cut by dragging across the text. To select all text, touch and hold on the text, and touch **Select All** on the pop-up menu. Selected text will be highlighted.
2. Touch and hold on the highlighted texts, and touch **Copy** or **Cut** on the pop-up menu. The text is saved to the clipboard.

• To paste text:

1. Touch and hold the area where you want to paste the text that you cut or copied.
2. Touch **Paste** on the pop-up menu to paste the text.

Using the Onscreen Keyboard

Typing text, numbers, symbols, and other characters

When you need to type text, touch the text field to bring up the onscreen keyboard and then touch keys on the keyboard to type.

Using the Elo Tablet Stylus

To use the Elo tablet stylus, hold the stylus and gently touch the screen with the tip to accomplish actions such as touch, touch and hold, drag, and slide.

Use the stylus instead of your finger in the following conditions:

- When you need precise and detailed input, such as drawing a picture or using handwriting mode
- When too many elements are crowded on the screen, for example, when you are playing games
- If you want to keep your screen free from smudges
- If you have long fingernails and it is difficult for you to type

The Elo Tablet stylus comes with a stylus holder that is installable into the stylus holder port located on the side of the tablet (Refer to Figure 9 below for installation instructions). When you are not using the stylus, store it in the stylus holder. If you need to use the stylus frequently, string the stylus to the Elo Tablet string holes to avoid losing it. Refer to the Tablet Layout section in Chapter 1 for the location of the stylus holder port and stylus string holes.

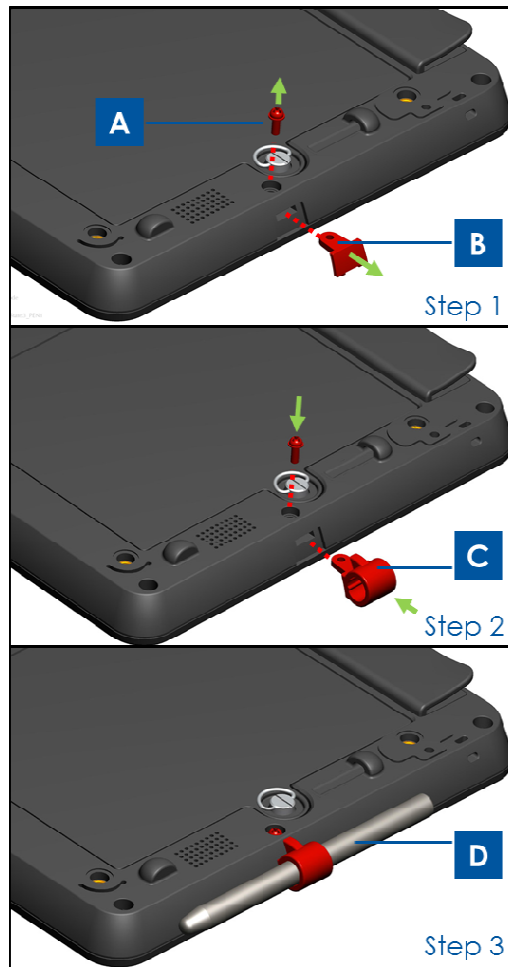


Figure 9. To install the stylus holder onto the tablet:
 Step 1 - Loosen and remove the screw (A) and remove the stylus holder port cover (B).
 Step 2 - Insert stylus holder (C) to the port and fasten it by tightening the screw (A) back to the tablet.
 Step 3 - Store the stylus (D) in the stylus holder when not in use.

Screen Lock Mode

To prevent unauthorized use and access to your data, lock your tablet when you are not using it. When operating on Windows Embedded Standard 7 (WES 7), setting up password protection upon standby mode be done via **Control panel > All Control panel items > power options > Systems Settings**.

Payment Features

The Elo Tablet contains three features for payment processing. It includes a magnetic swipereader (MSR), smart card reader (SCR) and near field communications (NFC) functionality.

Magnetic Swipe Reader (MSR)

A magnetic stripe card is a type of card capable of storing data on a band of magnetic material on the card. The magnetic stripe, sometimes called swipe card or magstripe, is read by swiping past a magnetic reading head. The tablet is capable of reading three tracks - these are known as tracks 1, 2, and 3. Track 3 is typically unused by the major worldwide card processing networks, and often isn't even physically present on the card by virtue of a narrower magnetic stripe. Point-of-sale card readers almost always read track 1, or track 2, and sometimes both, in case one track is unreadable. The minimum cardholder account information needed to complete a transaction is present on both tracks. Track 1 has a higher bit density (210 bits per inch vs. 75), and is the only track that may contain alphabetic text, and hence is the only track that contains the cardholder's name.

Smart Card Reader (SCR)

The smart card reader is capable of reading smart card, chip card, or integrated circuit card (ICC) of many pocket-sized cards with embedded integrated circuits. The SCR is capable of reading EMV (Euro MasterCard Visa) standard cards.

Near Field Communication (NFC)

Near field communication (NFC) is a set of standards for smartphones and similar devices to establish radio communication with each other by touching them together or bringing them into close proximity, usually no more than a few centimeters. Present and anticipated applications include contactless transactions and data exchange. Communication is also possible between an NFC device and an unpowered NFC chip, called a "tag". The NFC reader meets standards covered by communications protocols and data exchange formats, and is based on existing radio-frequency identification (RFID) standards including ISO/IEC 14443 and FeliCa. The standards include ISO/IEC 18092 and those defined by the NFC Forum.

Chapter 3: Docking Station

General Mounting Information

The optional Elo Tablet docking station is available for purchase (P/N E518363). The docking station provides additional connectors and interfaces to support peripherals such as keyboards, cash drawers, printers, etc. The Elo Tablet and docking station is also designed to allow the tablet and/or a spare battery to charge via the dock.

Unpacking the Docking Station

To unpack the docking station:

1. Open the box.
2. Check that the following items are present and in good condition:
 - a. Docking station with removable cable cover
 - b. Quick Install Guide
 - c. AC/DC Power adapter kit
 - i. AC/DC power adapter w/ DC power cable
 - ii. Plug charger adapter for North America, Europe/Korea, and U.K.
 - d. Two keys for easy locking/unlocking of dock lock and dock cable cover lock.
3. Remove the protection bag/cover, desiccant packs, and other packaging materials appropriately. Please take extra caution to ensure they are not accessible by small children.
4. The docking station is ready for use with the tablet.

Tablet Docking Instructions

To place the Elo Tablet into the docking station:

- Align the tablet with the docking station such that the top dock alignment pins align with top dock pin ports and the bottom dock alignment pins align with the bottom dock pin ports, as shown in Figure 10 below. For proper mounting of the tablet to the docking station, the Dock-Tablet connector will need to join with the Tablet-Dock connector, while the top and bottom dock alignment pins will need to slide into the top and bottom dock pin ports on the tablet, respectively.
- Ensure that the backside of the tablet rests against the front face of the docking station and gently slide the tablet into the docking station until you hear a click.
- The tablet is now properly placed into the docking station.

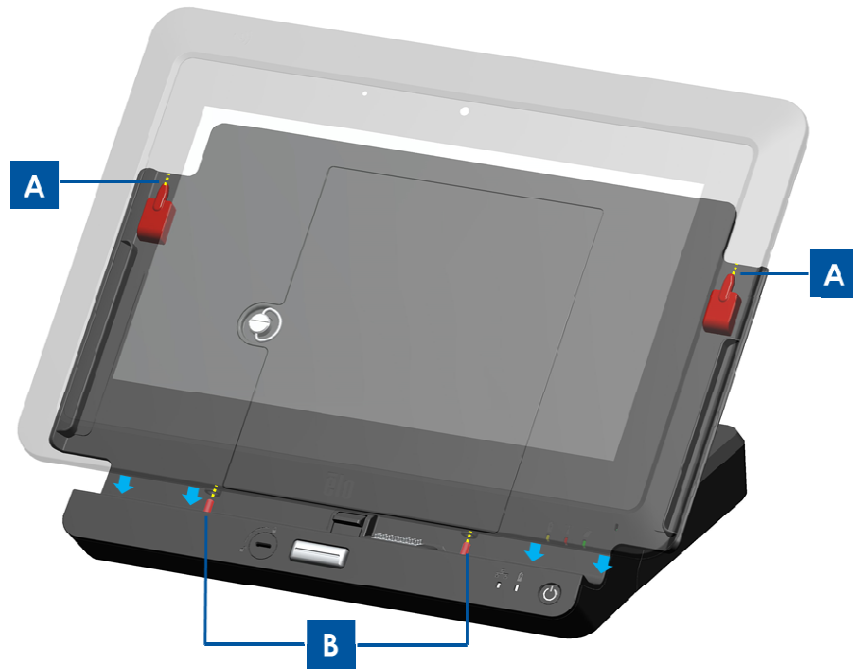


Figure 10. Mounting the tablet onto the docking station.
(A) Align top dock alignment pins with top dock pin ports.
(B) Align bottom dock alignment pins with bottom dock pin ports

Connecting Docked Tablet to External Peripherals

When the tablet is properly placed into the docking station, the tablet connects and can utilize the connections and interfaces available on the docking station. To access these connections and interfaces:

1. Remove the dock cable cover by pressing the dock cable cover release buttons while the dock cable cover lock is in the 'unlocked' position, and slide the dock cable cover away from the docking station.
2. Connect the AC/DC power adapter kit to the docking station power port to charge the tablet and/or a spare battery via the docking station.
3. Use the VGA port to connect an external video display to the tablet.
4. Use the USB ports to connect external peripherals to the tablet.
5. Slide the dock cable cover back onto the docking station (as shown in Figure 11 below) until you hear a click to re-install the cable cover. The dock cable cover has an opening through which cables can route through.

Note: When dock cable cover lock is in the 'locked' position, the dock cable cover will not install properly to the docking station. Ensure that the dock cable cover lock is in the 'unlocked' position before sliding the dock cable cover back to the docking station.

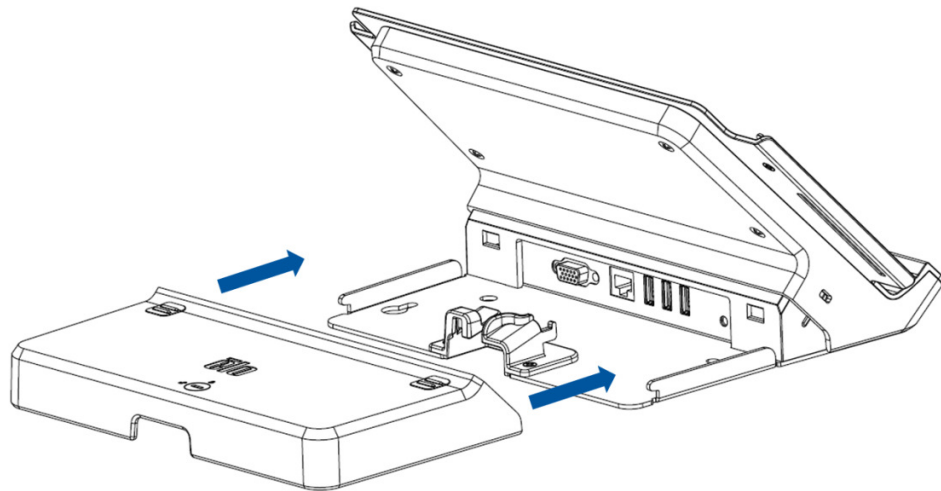


Figure 11: Sliding the back cover back onto the docking station

Chapter 4: Operation

Power

To turn the tablet on and off, press the tablet power button once. When the tablet is installed onto the docking station, then the tablet can also be turned on and off using the power button on the docking station.

To gracefully shut down the tablet, follow the operating systems normal power off procedure. To abruptly power off the tablet, press and hold either of the power button until the tablet shuts off. In the event that your tablet does not respond and does not turn off via the power button, reset the tablet by removing the battery.

A Power Status LED is provided on the tablet and docking station that functions according to the following table:

Tablet/Dock status	LED status
OFF	OFF
SLEEP	BLINKING
ON	ON

The system consumes low power when in SLEEP and OFF modes. For detailed power consumption specifications, refer to technical specifications available on the Elo website www.elotouch.com.

Touching the screen (if set up to do so) will bring the monitor out of MONITOR SLEEP mode, otherwise press the power button once to bring the unit out of sleep.

If long periods of non-use are planned, turn off tablet to save power.

The maximum voltage, frequency and current for the Elo Tablet, are provided in the power ratings table below:

	Operating Voltage Range	Operating Frequency Range	Operating Current Range
Tablet	100 - 240Vac	50/60 Hz	0.15~0.35A

Charging Battery

Use only the AC/DC power adapter kit supplied by Elo Touch Solutions to charge the tablet and its battery. The tablet battery has a 'charging threshold', and will only charge once it falls below this threshold level. The threshold level of the tablet battery has been set to 90% by default. Once the battery falls below this threshold limit, the battery can be charged back to 100%.

The tablet has a battery indicator LED that shows the charging status of the tablet battery. This light emitting diode will:

- Display solid green light when the battery is fully charged
- Flash amber light when the battery is charging.

In the event that the tablet battery was allowed to fully discharge, it is recommended to recharge the battery to at least 80%. To prevent over-discharge, charge the tablet battery at least every 3 months.

Audio

Audio can be played over the tablet internal speakers. When headphones are plugged into the tablet audio jack, the internal speaker turns off and audio is played over the headphones. When external microphones are plugged into the tablet audio jack, the internal microphone will turn off.

Chapter 5: Technical Support

If you are experiencing trouble with your tablet, refer to the following suggestions.

If the problem persists, please contact your local dealer or contact Elo Touch Solutions Customer Service.

Solutions to Common Problems

Problem	Suggested Troubleshooting
The Tablet does not respond when turning on the system.	Check that the AC/DC power adapter kit is properly connected or that the battery is charged. Verify the AC power source is functioning.
Tablet does not respond with charged battery or AC/DC power adapter kit connected	Remove the battery, wait 1 minute, reinstall battery, and try again.
Monitor display is blank.	If the Power Status LED is blinking, the tablet may be in SLEEP mode. Press the power button to see if the image reappears.

Technical Assistance

Visit <http://www.elotouch.com/Support/TechnicalSupport/default.asp> for technical support.

Refer to the last page of this user manual for Elo contact information worldwide.

Chapter 6: Safety & Maintenance

Safety

To avoid risk of electric shock, follow all safety notices and do not disassemble the Elo Tablet. The Elo Tablet is not user-serviceable.

Do not block or insert anything into any of the ventilation slots.

The Elo Tablet and docking station is equipped with an AC/DC power adapter kit. Do not use a damaged AC/DC power adapter kit. Use only the AC/DC power adapter kit supplied by Elo Touch Solutions for the tablet and tablet docking station. Use of an unauthorized AC/DC power adapter kit may invalidate your warranty.

Ensure that the system is maintained and runs within the specified environmental conditions listed below.

Environmental conditions for operating and storage

Temperature:

Operating	0 °C to 40 °C
Storage	-20 °C to 60 °C

Humidity (non-condensing):

Operating	20% to 80%
Storage	5% to 95%

Altitude:

Operating	0 to 3,500 m
Storage	0 to 12,000 m

Tablet Care and Handling

The following tips will help maintain optimal performance of your Elo Tablet:

- Disconnect the power cable before cleaning.
- To clean the display, use a soft cotton or microfiber cloth lightly dampened with a mild detergent.
- It is important that your unit remains dry. Do not get liquids on or inside the unit. In the event that liquid does get inside, have a qualified service technician inspect the unit before you power it on again.
- Do not wipe the screen with a cloth or sponge that could scratch the surface.
- When cleaning the touchscreen, use window or glass cleaner applied to a clean cloth. Never apply the cleaner directly on the touchscreen or Elo Tablet. Do not use alcohol (methyl, ethyl or isopropyl), thinner, benzene, or other abrasive cleaners.

Tablet Battery Care and Handling

Please follow these tips to ensure safe handling of the battery:

- When transporting / shipping Li-ion batteries, please refer and abide to local and international regulations that govern Lithium-ion battery shipments. Proper packaging, shipping documentations, and/or labeling may be required to ensure safe battery handling and transport.
- Short-circuiting may occur when an electrically conductive material (e.g. metal) electrically connects the two terminals of a battery. When handling the battery, be careful to not short circuit the battery.
- Do not puncture or crush battery.
- Use specified charger only.
- Do not immerse in water.
- Keep away from fire.
- Keep away from small children.

Waste Electrical & Electronic Equipment



This product should not be disposed of with household waste. It should be deposited at a facility that enables recovery and recycling. Ensure that product is disposed at the end of its useful life according to local laws and regulation.

Elo has put in place recycling arrangements in certain parts of the world. For information on how you can access these arrangements, please visit <http://www.elotouch.com/AboutElo/ewaste-program/>.

Battery Disposal

The tablet battery is a rechargeable Lithium-ion battery. Discard battery at the end of its useful life according to local laws and regulation.



Chapter 7:Regulatory Information

I. Electrical Safety Information

Compliance is required with respect to the voltage, frequency, and current requirements indicated on the manufacturer label. Connection to a different power source than those specified herein will likely result in improper operation,damage to the equipment or pose a fire hazard if the limitations are not followed.

There are no operator serviceable parts inside this equipment. There arehazardous voltages generated by this equipment which constitute a safety hazard. Service should be provided only by a qualified service technician.

Contact a qualified electrician or the manufacturer if there are questions about the installation prior to connecting the equipment to mains power.

II. Emissions and Immunity Information

Notice to Users in the United States:

This equipment has been tested and found to comply with the limits for a Class B digital device, pursuant to Part 15 of FCC Rules. These limits are designed to provide reasonable protection against harmful interference in a residential installation. This equipment generates, uses, and can radiate radio frequency energy and, if not installed and used in accordance with the instructions, may cause harmful interference to radiocommunications. However, there is no guarantee that interference will not occur in a particular installation. If this equipment does cause harmful interference to radio or television reception, which can be determined by turning the equipment off and on, the user is encouraged to try to correct the interference by one or more of the following measures:

- Reorient or relocate the receiving antenna.
- Increase the separation between the equipment and receiver.
- Connect the equipment to an outlet on a circuit different from that to which the receiver is connected.
- Consult the dealer or an experienced radio/TV technician for help.

Canada Compliance Statement:

This Class B digital apparatus complies with Canadian ICES-003.

Cetappareilnumérique de la classe B estconforme à la norme NMB-003 du Canada.

Notice to Users in Canada:

This equipment complies with the Class B limits for radio noise emissions from digital apparatus as established by the Radio Interference Regulations of Industrial Canada.

Notice to Users in the European Union:

Use only the provided power cords and interconnecting cabling provided with the equipment. Substitution of provided cords and cabling may compromise electrical safety or CE Mark Certification for emissions or immunity as required by the following standards:

This Information Technology Equipment (ITE) is required to have a CE Mark on the Manufacturers label which means that the equipment has been tested to the following Directives and Standards: This equipment has been tested to the requirements for the CE Mark as required by EMC Directive 2004/108/EC as indicated in European Standard EN 55022 Class B and the Low Voltage Directive 2006/95/EC as indicated in European Standard EN 60950.

General Information to all Users:

This equipment generates, uses, and can radiate radio frequency energy. If not installed and used according to this manual the equipment may cause interference with radio and television communications. There is, however, no guarantee that interference will not occur in any particular installation due to site-specific factors.

1. In order to meet emission and immunity requirements, the user must observe the following:
 - a. Use only the provided I/O cables to connect this digital device with any computer.
 - b. To ensure compliance, use only the provided manufacturers approved line cord.
 - c. The user is cautioned that changes or modifications to the equipment not expressly approved by the party responsible for compliance could void the user's authority to operate the equipment.
2. If this equipment appears to cause interference with radio or television reception, or any other device:
 - a. Verify an emission source by turning the equipment off and on. If you determine that this equipment is causing the interference, try to correct the interference by using one or more of the following measures:
 - I. Move the digital device away from the affected receiver.
 - II. Reposition (turn) the digital device with respect to the affected receiver.
 - III. Reorient the affected receiver's antenna.
 - IV. Plug the digital device into a different AC outlet so the digital device and the receiver are on different branch circuits.
 - V. Disconnect and remove any I/O cables that the digital device does not use. (Unterminated I/O cables are a potential source of high RF emission levels.)
 - VI. Plug the digital device into only a grounded outlet receptacle. Do not use AC adapter plugs. (Removing or cutting the line cord ground may increase RF emission levels and may also present a lethal shock hazard to the user.)

If you need additional help, consult your dealer, manufacturer, or an experienced radio or television technician.

III. Agency Certifications

The following certifications and marks have been issued or declared for the tablet and the docking station:

- Europe Union CE
- United States FCC
- Canada IC
- United States and Canada UL

The following certifications and marks have been issued or declared for tablet battery:

- United States and Canada UL
- European Union CE mark
- UN Manual of tests and criteria, Part III, subsection 38.3 (Lithium ion battery transportation test)

Chapter 8:Warranty Information

For warranty information, go to <http://www.elotouch.com/Support/warranty.asp>

Check out Our Website

www.elotouch.com

Get the latest...

- Product Information
- Specifications
- Upcoming events
- Press releases
- Software drivers

Getting in Touch with us

To find out more about the extensive range of Elo touch solutions, visit our website at www.elotouch.com, or simply call the office nearest you:

North America

Elo Touch Solutions
1033 McCarthy Blvd
Milpitas, CA 95035

Tel 800-ELO-TOUCH

Tel 1-408-597-8000
Fax 1-408-597-8050
customerservice@elotouch.com

Europe

Tel +32(0)16 70 45 00
Fax +32(0)16 70 45 49
elosales@elotouch.com

Asia-Pacific

Tel +86(21) 6106 7162
Fax +86 (21) 6485 3981
www.elotouch.com.cn

Latin America

Tel 786-923-0251
Fax 305-931-0124
www.elotouch.com

Disclaimer

The information in this document is subject to change without notice. Elo Touch Solutions, Inc. and its affiliates (collectively "Elo") makes no representations or warranties with respect to the contents herein, and specifically disclaims any implied warranties of merchantability or fitness for a particular purpose. Elo reserves the right to revise this publication and to make changes from time to time in the content hereof without obligation of Elo to notify any person of such revisions or changes.

No part of this publication may be reproduced, transmitted, transcribed, stored in a retrieval system, or translated into any language or computer language, in any form or by any means, including, but not limited to, electronic, magnetic, optical, chemical, manual, or otherwise without prior written permission of Elo Touch Solutions, Inc.

Elo, the Elo logo, Elo Touch, Elo Touch Solutions, Elo TouchSystems, AccuTouch, CarrollTouch, IntelliTouch and iTouch are trademarks of Elo Touch Solutions, Inc. and its affiliates.

All other product and company names used herein may be trademarks of their registered owners.

First Edition (May 2013)

Copyright 2013 Elo Touch Solutions, Inc. All rights reserved.