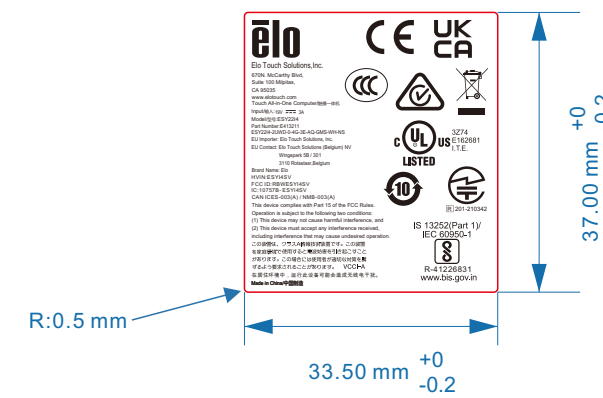


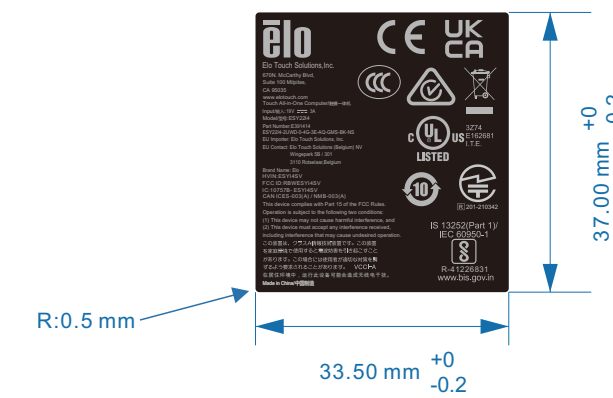
PROPRIETARY TO ELO TOUCHSYSTEMS, INC. AND SHALL NOT BE DISCLOSED OTHER THAN TO NECESSARY EMPLOYEES OR SUPPLIERS WITHOUT THE EXPRESS WRITTEN CONSENT OF ELO TOUCHSYSTEMS, INC.

REVISION					
REV	ZONE	BY	DESCRIPTION	DATE	APPROVED
A		EVAN	initial release per CO-21-0580	3/25/2021	
B		JOY	Update Canada IC: CAN ICES-003(A) / NMB-003(A) / IC ID: 10757B-ESY14 / I series RK MIC: 201-210342 / Add Class A / FCC ID: RBWESY14 CO-21-1283	6/08/2021	
C		EVAN	Update : add CCC LOGO and CMIIT ID number CO-21-1391		
D		EVAN	Update : add ANATEL: 17993-21-03103 CO-22-0198		
E		KUN YU	Update : FCC ID: RBWESY14SV / IC: 10757B-ESY14SV / REMOVE CMMIT ID and ANATEL / Updated Chinese warning signs / add BIS LOGO / HVIN: ESY14SV CO-XXXX	9/09/2022	

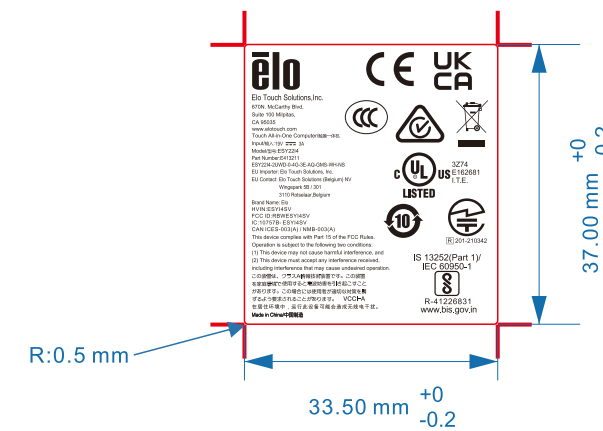
ESY2214,GMS SAFETY LABEL ,
White Ground
P/N: E101749
SCALE 1:1



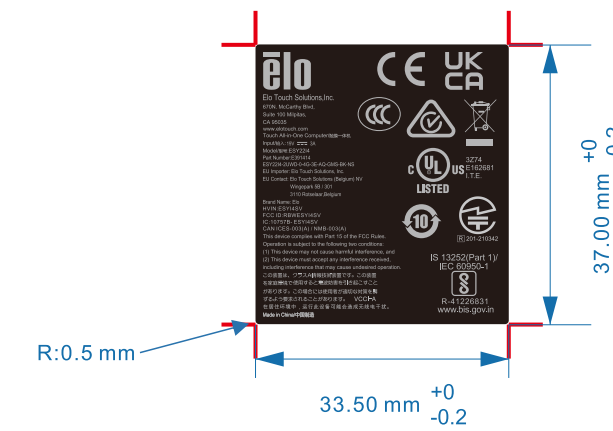
ESY2214,GMS SAFETY LABEL ,
Black Ground
P/N: E101947
SCALE 1:1



ESY2214,GMS SAFETY LABEL
Artwork for Label Manufacture-White
SCALE 1:1 OUTLINE





ESY2214,GMS SAFETY LABEL
Artwork for Label Manufacture-Black
SCALE 1:1 OUTLINE



LABEL P/N TABLE		PRODUCT TABLE		COLOR TABLE	
P/N	DESCRIPTION	P/N	DESCRIPTION	BACK GROUND	TEXT
E101749	Label, Safety, White, GMS, ESY2214	E413211	ESY2214-2UWD-0-4G-3E-AQ-GMS-WH-NS	WHITE	BLACK
E101947	Label, Safety, Black, GMS, ESY2214	E391414	ESY2214-2UWD-0-4G-3E-AQ-GMS-BK-NS	BLACK	GREY

NOTES:(UNLESS OTHERWISE SPECIFIED)

1. BASE MATERIAL: UL RECOGNIZED #50 SILVER MATTE POLYESTER.
2. BACKGROUND PRINTING OF BASE MATERIAL: REFER TO COLOR TABLE
3. TOP SURFACE OF LABEL TO BE UL RECOGNIZED #25 TRANSMATTE.
4. ADHESIVE: UL RECOGNIZED PERMANENT ACRYLIC ON BACK SIDE
5. PRINTING TEXT COLOR: REFER TO COLOR TABLE
6. BARCODE RULE REFER TO DOCUMENT MP500310
7. FINISHED SAFETY LABEL WITH PRINTING TO BE UL PGDQ2 OR PGJ12 COMPLIANT.
8. ALL MATERIAL AND COATING TO BE ROHS COMPLIANT.
9. INTERPRET DRAWING PER ASME STANDARD Y-14.5M-1994.
10. ALL MATERIAL MUST COMPLY TO ELO MATERIAL COMPOSITION SPECIFICATION ES600973.

PART. NO. SEE LABEL P/N TABLE	UNLESS OTHERWISE SPECIFIED ALL DIMENSIONS ARE IN MILLIMETERS	DRAWN EVAN	DATE 6/08/21	TITLE LABEL, SAFETY, GMS, ESY2214	
METRIC	TOLERANCES ARE: DECIMALS ANGLES ±1/2° FRACTIONS ±1/32	CHECK	DATE	DESIGN	
DO NOT SCALE DRAWING		THIRD ANGLE PROJECTION			
Drawing file name:					SIZE C
Artwork file name:		SCALE 1:1	SHEET 1 Of 1	DWG. NO. SD610806	REV E