

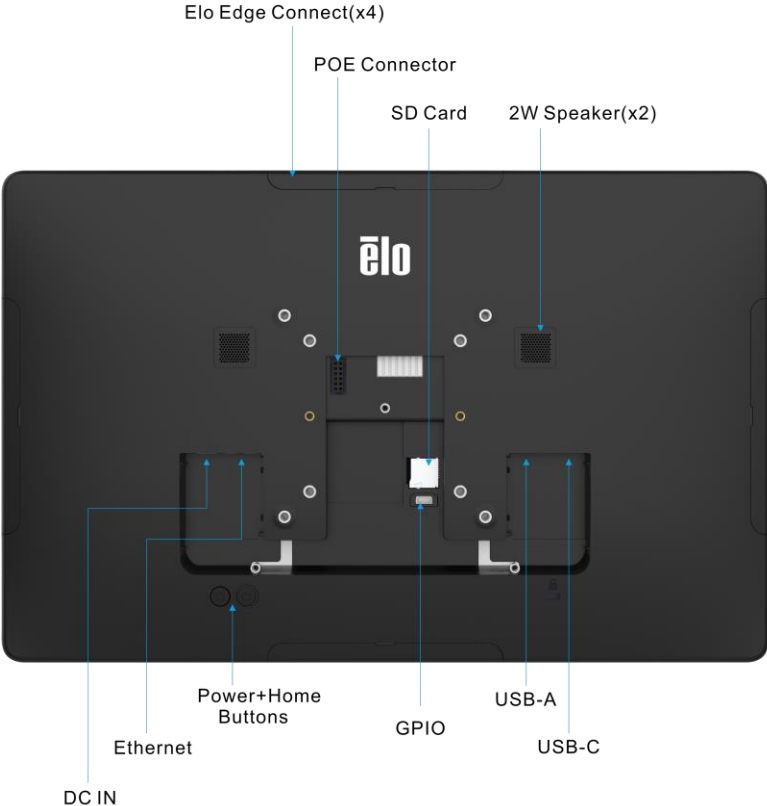
Product Description

Your new I-Series 4.0 Android Interactive Signage system combines the reliable performance from Elo with the latest developments in touchscreen technology and display design. This combination of features creates a natural flow of information between a user and the I-Series 4.0 system.

Overview – Specifications

Feature	Specification
Operating System	Android 10
Processor	Rockchip RK3399
Memory	4GB RAM
Internal Storage	32GB NAND flash memory
Display	10.1 – 1280x 800 15.6 – 1920 x 1080 22 – 1920 x 1080
Aspect Ratio	10.1 - 16:10 15.6 and 22 - 16:9
Touch Screen	Capacitive touch; up to 10 touches
Camera	5MP - 2592*1944, Auto Focus
Micro-SD	Support for microSD cards (up to 128GB)
Wi-Fi + Bluetooth	IEEE 802.11a/b/g/n/ac + Bluetooth 5.0 with BLE
Microphone	Analog Mic
Speaker	2x 2W RMS Stereo
USB Port	4x microUSB ports 1x Type-C 1x USB 3.0 Type A

Features: i-series 4.0



1 General Information

1.1 General Description of the Item(s)

Product Name	Touch All In One Computer					
Model No.	ESY22I4					
HVIN	ESYI4SV					
Hardware Version	R05					
Software Version	Android 10					
FCC ID	RBWESYI4SV					
IC	10757B-ESYI4SV					
Manufacturer	Elo Touch Solutions, Inc					
Manufacturer Address	670 N. McCarthy Blvd., Suite 100, Milpitas, CA 95035, USA.					
EUT Voltage	19 Vdc and POE 44-57V for ESY10I4, ESY15I4, ESY22I4, ESY15I4-C					
Frequency Range	For 2.4GHz Band 802.11b/g/n(20MHz): 2400~2483.5MHz					
Channel Number	For 2.4GHz Band 802.11b/g/n(20MHz): 11					
Type of Modulation	802.11b: DSSS-DBPSK, DQPSK, CCK 802.11g/n: OFDM-BPSK, QPSK, 16QAM, 64QAM					
Data Rate	802.11b: 1/2/5.5/11 Mbps 802.11g: 6/9/12/18/24/36/48/54 Mbps 802.11n: up to 144.4 Mbps					
Frequency Range	5GHz Band					
Type of Modulation	OFDM-BPSK, QPSK, 16QAM, 64QAM, 256QAM					
Data Rate	802.11a: 6/9/12/18/24/36/48/54Mbps 802.11n: up to 300Mbps 802.11ac: up to 866.6Mbps					
Channel Control	Auto					
Transmit modes	<input checked="" type="checkbox"/>	802.11a	<input checked="" type="checkbox"/>	802.11n(20MHz)	<input checked="" type="checkbox"/>	802.11n(40MHz)
	<input checked="" type="checkbox"/>	802.11ac(20MHz)	<input checked="" type="checkbox"/>	802.11ac(40MHz)	<input checked="" type="checkbox"/>	802.11ac(80MHz)
Support Bands	<input checked="" type="checkbox"/>	5150MHz~5250MHz	<input type="checkbox"/>	Outdoor AP		
			<input type="checkbox"/>	Indoor AP		
			<input type="checkbox"/>	Fixed point-to-point AP		
			<input checked="" type="checkbox"/>	Mobile and Portable Client		
	<input checked="" type="checkbox"/>	5250MHz~5350MHz				
	<input checked="" type="checkbox"/>	5470MHz~5725MHz for FCC	<input checked="" type="checkbox"/>	With TDWR Channels		
			<input type="checkbox"/>	Without TDWR Channels		

	<input checked="" type="checkbox"/>	5470MHz~5600MHz and 5600MHz~5650MHz for ISED
	<input checked="" type="checkbox"/>	5725MHz~5850MHz

Wireless specification	Bluetooth					
Bluetooth Specification	V3.0					
Frequency Range	2400~2483.5MHz					
Type of Modulation	GFSK					
PHYs	<input checked="" type="checkbox"/>	GFSK	<input checked="" type="checkbox"/>	Pi/4 DQPSK	<input checked="" type="checkbox"/>	8DPSK
Data Rate	<input checked="" type="checkbox"/>	1Mbit/s	<input checked="" type="checkbox"/>	2Mbit/s	<input checked="" type="checkbox"/>	3Mbit/s
Number of channel	79					
Wireless specification	Bluetooth 5.0					
Frequency Range	2400~2483.5MHz					
Type of Modulation	GFSK					
PHYs	<input checked="" type="checkbox"/>	LE 1M	<input checked="" type="checkbox"/>	LE 2M	<input type="checkbox"/>	LE Coded S=2/8
Data Rate	<input checked="" type="checkbox"/>	1Mbit/s	<input checked="" type="checkbox"/>	2Mbit/s	<input type="checkbox"/>	500/125 Kbit/s
Number of channel	40					
Temperature Range	0°C~40°C					

1.2 Antenna Information

WLAN Antenna

2.4GHz

Antenna model / type number	N/A			
Antenna serial number	N/A			
Antenna Delivery	<input checked="" type="checkbox"/>	1TX + 1RX		
	<input checked="" type="checkbox"/>	2TX + 2RX		
	<input type="checkbox"/>	Others:.....		
Antenna technology	<input checked="" type="checkbox"/>	SISO		
	<input checked="" type="checkbox"/>	MIMO	<input checked="" type="checkbox"/>	CDD
			<input type="checkbox"/>	Beam-forming
Antenna Type.....	<input type="checkbox"/>	External	<input type="checkbox"/>	Dipole
			<input type="checkbox"/>	Sectorized
	<input checked="" type="checkbox"/>	Internal	<input checked="" type="checkbox"/>	PIFA
			<input type="checkbox"/>	PCB
			<input type="checkbox"/>	Metal Antenna
			<input type="checkbox"/>	Others:.....

5GHz

Antenna model / type number .. :	N/A		
Antenna serial number	N/A		
Antenna Delivery	<input checked="" type="checkbox"/>	1TX + 1RX	
	<input checked="" type="checkbox"/>	2TX + 2RX	
	<input type="checkbox"/>	Others:.....	
Antenna technology	<input checked="" type="checkbox"/>	SISO	
	<input checked="" type="checkbox"/>	MIMO	<input checked="" type="checkbox"/> CDD
			<input type="checkbox"/> Beam-forming
Antenna Type.....	<input type="checkbox"/>	External	<input type="checkbox"/> Dipole
			<input type="checkbox"/> Sectorized
	<input checked="" type="checkbox"/>	Internal	<input checked="" type="checkbox"/> PIFA
			<input type="checkbox"/> PCB
			<input type="checkbox"/> Metal Antenna
		<input type="checkbox"/> Others.....	