

WA-P-LB-03-079 Specification

1. Explanation of part number :

WA - P - LB - 03 - 079
(1) (2) (3) (4) (5)

(1) Product Type: Wireless Antenna

(2) Material: PCB

(3) Frequency : WIFI (2.4GHz-2.5GHz,5.1GHz~5.8GHz)

(4) Coaxial Cable Type : 03

(5) Suffix :079

2. Electrical Specification :

Those specifications were specially defined for WIFI model, and all characteristics were measured under the model's handset testing .

2-1. Frequency Band:

Frequency Band	GHz
WIFI	2.4-2.5GHz,5.1-5.8GHz

2-2. Impedance

50 ohm nominal

1 UNLESS OTHER SPECIFIED TOLERANCES ON :

X=± X.X=± X.XX=±

ANGLES=± HOLEDIA=±

SCALE : UNIT : mm

DRAWN BY:李志强 CHECKED BY: 李志强

DESIGNED BY : 张冲 APPROVED BY : 胡志清



佳邦科技股份有限公司
INPAQ TECHNOLOGY CO., LTD.

THIS DRAWINGS AND SPECIFICATIONS ARE THE PROPERTY OF INPAQ TECHNOLOGY CO.,LTD.AND SHALL NOT BE REPRODUCED OR USED AS THE BASIS FOR THE MANUFACTURE OR SALE OF APPARATUS OR DEVICES WITHOUT PERMISSION

TITLE : WA-P-LB-03-079 Specification

DOCUMENT NO.

ENS000102500

PAGE REV.
P0

2-3. VSWR

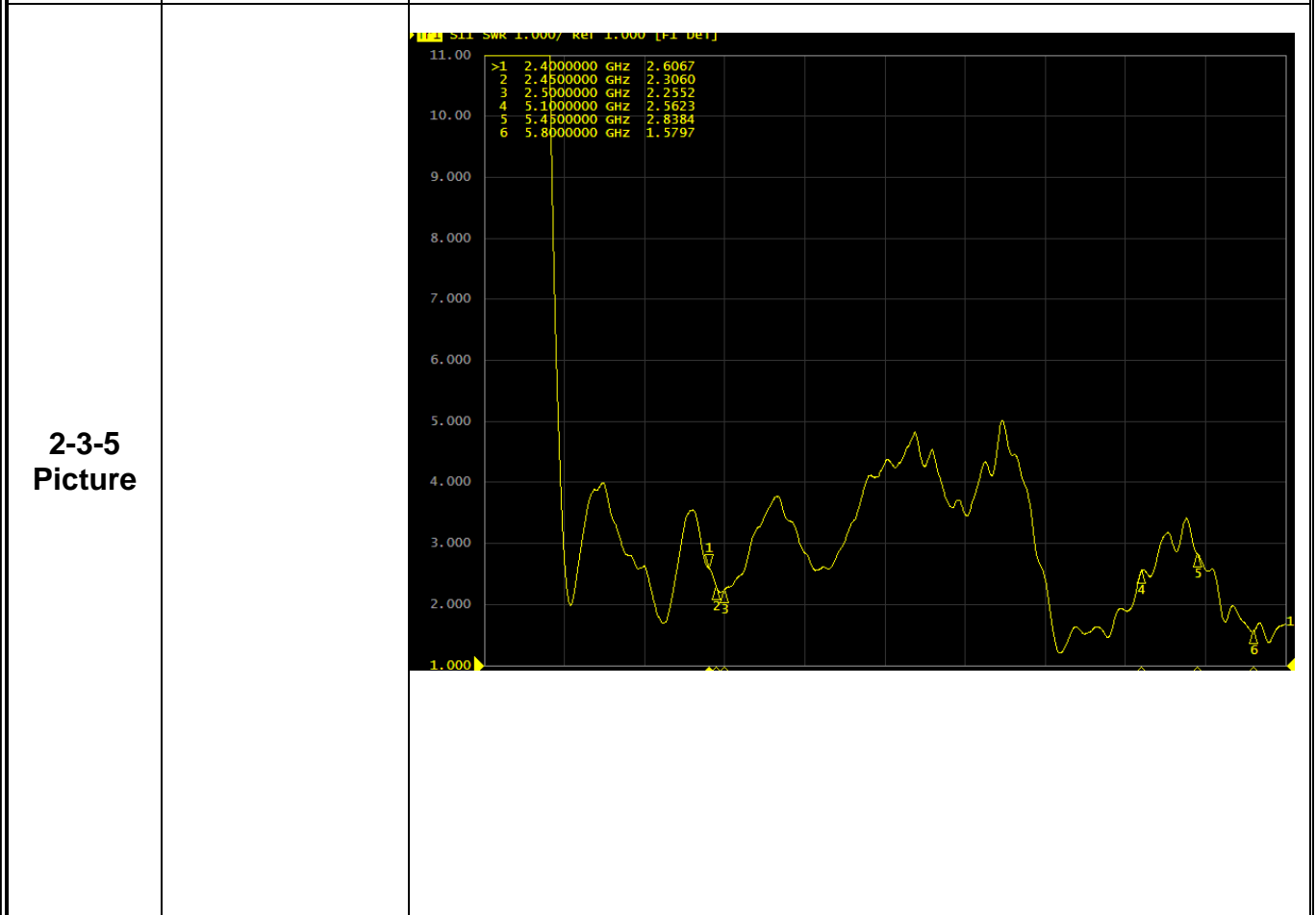
2-3-1.Measurement frequency points and VSWR value

Frequency (MHz)	2400	2500	5100	5800
VSWR	2.61	2.26	2.56	1.58

2-3-2. VSWR

Frequency Band(MHz)	2400	2450	2500	5800
2-3-3. Typical Value:	≤3.5	≤3.5	≤3.5	≤3.5

2-3-4 Measuring Method	<ol style="list-style-type: none"> 1. A 50Ω coaxial cable is connected to the PCB. Then this cable is connected to a network analyzer to measure the VSWR. 2. Keeping this jig away from metal at least 20 cm
---------------------------	---



2UNLESS OTHER SPECIFIED TOLERANCES ON :

X=± X.X=± X.XX=±

ANGLES=± HOLEDIA=±

SCALE : UNIT : mm

DRAWN BY:李志强 CHECKED BY: 李志强

DESIGNED BY : 张冲 APPROVED BY : 胡志清



佳邦科技股份有限公司
INPAQ TECHNOLOGY CO., LTD.

THIS DRAWINGS AND SPECIFICATIONS ARE THE PROPERTY OF INPAQ TECHNOLOGY CO.,LTD.AND SHALL NOT BE REPRODUCED OR USED AS THE BASIS FOR THE MANUFACTURE OR SALE OF APPARATUS OR DEVICES WITHOUT PERMISSION

TITLE : WA-P-LB-03-079 Specification

DOCUMENT NO.

ENS000102500

PAGE REV.
P0

2-4. Efficiency and Gain

■ 量测仪器: 微波暗室, 网络分析仪, 标准天线.

■ 微波暗室说明:

这是本公司设置在深圳的微波暗室, 本微波暗室是属于一套远场量测系统,暗室的大小为 2.6 米 x1.6 米 x1.6 米, 静区尺寸(Quiet zone)大小为 15 厘米 x15 厘米 x15 厘米。

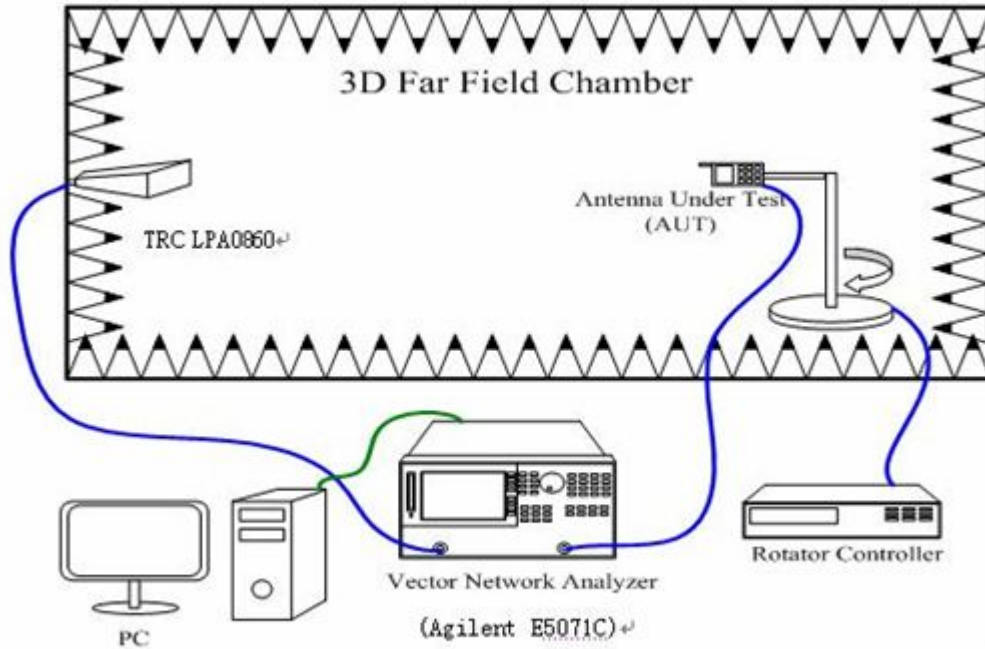


图. 1. 微波暗室内仪器设置图.

图. 1 为微波暗室内的仪器设置及网络分析仪的联接图, 发射天线(本暗室所使用发射天线的型号为 TRC LPA0860 800MHZ-6GHZ)到待测天线(AUT)的距离为 1.35 米, 待测天线放置在旋转平台上,藉由控制转台旋转的角度可对待测天线做概略性及较为准确的量测。

将待测天线放置于旋转台上,并测得其各个平面(ZY 平面及 ZX 平面)的 360 度场强数据。再将待测天线换置成标准偶极天线(本暗室所使用的标准偶极天线型号为 TRC AD series dipole antenna 800MHz~2500MHz)将其 360 度的场强数据测出,以作换算增益标准值,经由式 1 的换算即可获得待测天线的增益值及方向图。

$$G_{AUT} = G_{stand} + P_{AUT} - P_{stand}$$

G_{AUT} : Gain of AUT

G_{stand} : Gain of Standard Gain Antenna

P_{AUT} : Measured Power of AUT

P_{stand} : Measured Power of Standard Gain Antenna

3UNLESS OTHER SPECIFIED TOLERANCES ON :

X=± X.X=± X.XX=±

ANGLES=± HOLEDIA=±

SCALE : UNIT : mm

DRAWN BY:李志强 CHECKED BY: 李志强

DESIGNED BY: 张冲 APPROVED BY: 胡志清

TITLE : WA-P-LB-03-079 Specification



佳邦科技股份有限公司
INPAQ TECHNOLOGY CO., LTD.

THIS DRAWINGS AND SPECIFICATIONS ARE THE PROPERTY OF INPAQ TECHNOLOGY CO.,LTD.AND SHALL NOT BE REPRODUCED OR USED AS THE BASIS FOR THE MANUFACTURE OR SALE OF APPARATUS OR DEVICES WITHOUT PERMISSION

DOCUMENT
NO.

ENS000102500

PAGE REV.
P0

2-4-1 Efficiency and Gain

2-4-1-1 电气测试要求


Frequency (MHz)	Efficiency (%)	Peak Gain (dBi)
2400	>30	>1
2450	>30	>1
2500	>30	>1
5100	>30	>1
5400	>30	>1
5800	>30	>1

2-4-1-2 电气测试数据

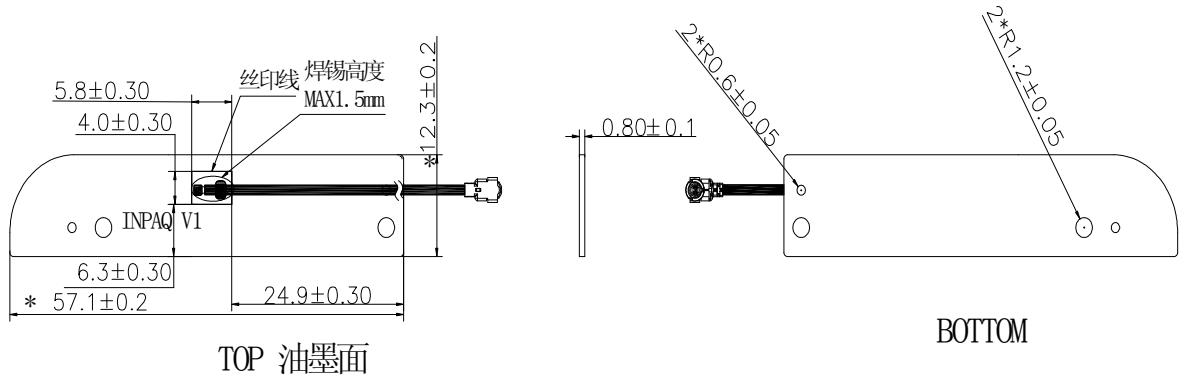
Frequency (MHz)	Efficiency (%)	Peak Gain (dBi)
2400	50.13	2.63
2450	52.41	2.68
2500	51.65	2.66
5100	45.69	2.50
5400	47.32	2.57
5800	46.28	2.54

3. Mechanical Specification:

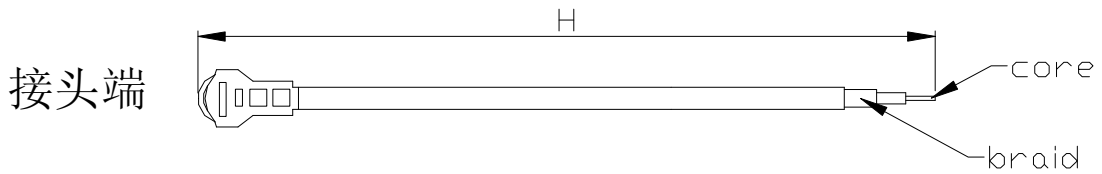
3-1. Mechanical Configuration (Unit: mm) (* dimension is important dimension)
The appearance of the antenna is according to drawing Figure

4UNLESS OTHER SPECIFIED TOLERANCES ON : X=± X.X=± X.XX=± ANGLES=± HOLEDIA=±		 佳邦科技股份有限公司 INPAQ TECHNOLOGY CO., LTD.	<small>THIS DRAWINGS AND SPECIFICATIONS ARE THE PROPERTY OF INPAQ TECHNOLOGY CO.,LTD.AND SHALL NOT BE REPRODUCED OR USED AS THE BASIS FOR THE MANUFACTURE OR SALE OF APPARATUS OR DEVICES WITHOUT PERMISSION</small>	
SCALE :	UNIT : mm			
DRAWN BY:李志强	CHECKED BY: 李志强			
DESIGNED BY : 张冲	APPROVED BY : 胡志清			
TITLE : WA-P-LB-03-079 Specification		DOCUMENT NO.	ENS000102500	PAGE REV. P0

3-1-1



3-2. Cable Length:



Connector: I-PEX MHF(20278-112R-13); Cable: RF Cable 1.13 (GRAY)
 线长(含接头) H: 117±3mm

5UNLESS OTHER SPECIFIED TOLERANCES ON :

X=± X.X=± X.XX=±

ANGLES=± HOLEDIA=±

SCALE : UNIT : mm

DRAWN BY:李志强 CHECKED BY: 李志强

DESIGNED BY: 张冲 APPROVED BY: 胡志清

TITLE : WA-P-LB-03-079 Specification



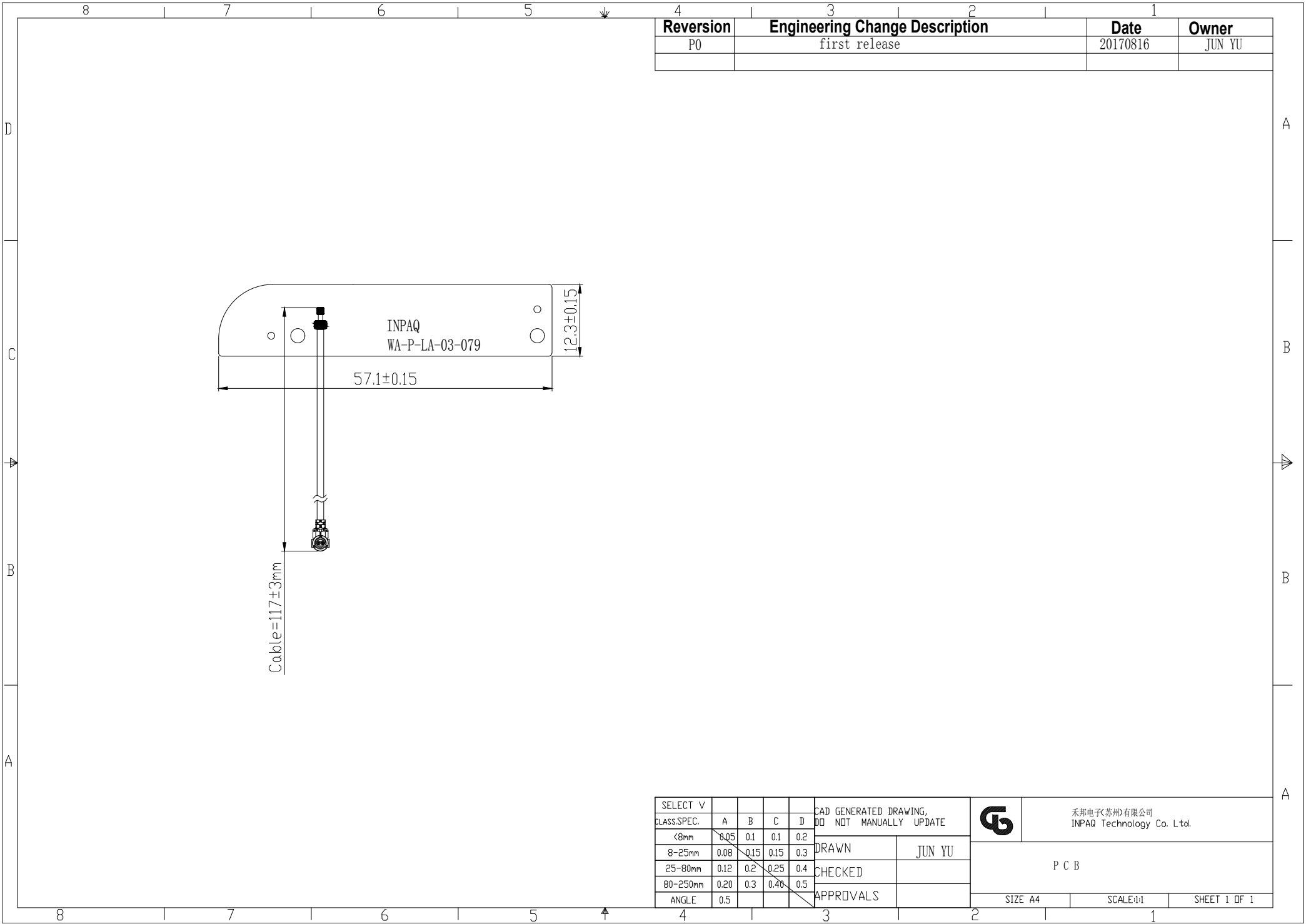
佳邦科技股份有限公司
 INPAQ TECHNOLOGY CO., LTD.

THIS DRAWINGS AND SPECIFICATIONS ARE THE PROPERTY OF INPAQ TECHNOLOGY CO.,LTD.AND SHALL NOT BE REPRODUCED OR USED AS THE BASIS FOR THE MANUFACTURE OR SALE OF APPARATUS OR DEVICES WITHOUT PERMISSION

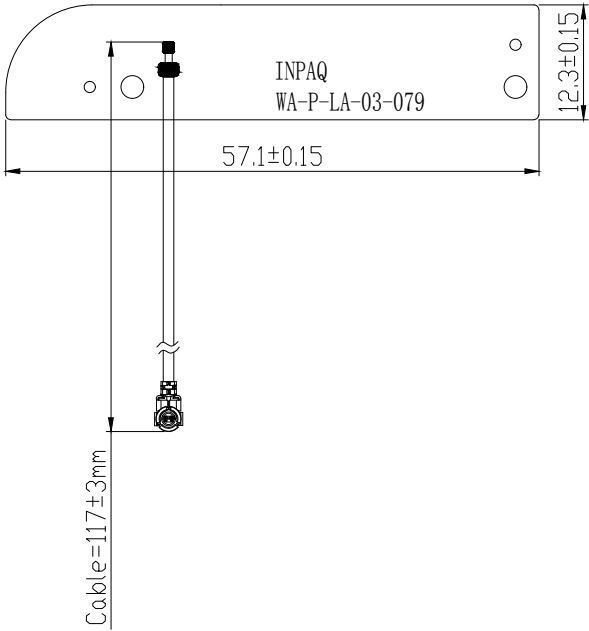
DOCUMENT NO.


ENS000102500

PAGE REV.
 P0



Reversion	Engineering Change Description	Date	Owner
P0	first release	20170816	JUN YU



SELECT V					CAD GENERATED DRAWING, DO NOT MANUALLY UPDATE	 禾邦电子(苏州)有限公司 INPAQ Technology Co. Ltd.		
CLASS.SPEC.	A	B	C	D				
<8mm	0.05	0.1	0.1	0.2	DRAWN	JUN YU		
8-25mm	0.08	0.15	0.15	0.3				
25-80mm	0.12	0.2	0.25	0.4	CHECKED	P C B		
80-250mm	0.20	0.3	0.40	0.5	APPROVALS			
ANGLE	0.5					SIZE A4	SCALE:1:1	SHEET 1 OF 1