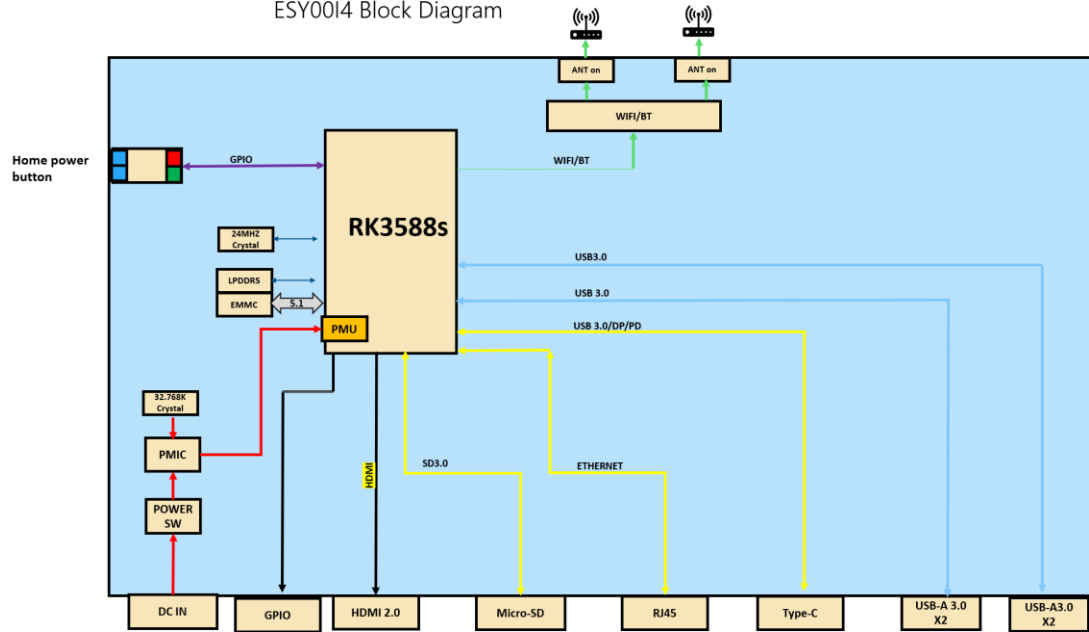


ESY0014 Block Diagram



The AMPAK Technology® AP6398SV is a fully Wi-Fi and Bluetooth functionalities module with seamless roaming capabilities and advance security, also it could interact with different vendors' 802.11a/b/g/n/ac 2x2 Access Points with MIMO standard and can accomplish up to speed of 866Mbps with dual stream in 802.11ac to connect the wireless LAN. Furthermore AP6398SV included SDIO interface for Wi-Fi, UART/ PCM interface for Bluetooth.

In addition, this compact module is a total solution for a combination of Wi-Fi + BT technologies. The module is specifically developed for tablet, OTT box and portable devices.

