

Boha Handheld Scanner

RD52

User Manual

Thank you for your choosing Boha Handheld Scanner.

This guide serves to enable users to get to know and familiar with our product as soon as possible. Here we have made a brief introduction to the key layout and definitions in figures and words.

Attention:

- This user guide is based on Android edition
- This user guide is an introduction for full function Handheld Scanner.
- This user guider applies to the following models: RD52
- The illustrations in this manual may differ from the actual product.
- Operating Temperature: -10°C~45°C

Contents

I . Use of the previous note	3
II . Key Layout and Definitions	4~6
III. Introduction to Desktop	7
1. opening interface	7
2. Into the desktop, as shown in the following figure.....	8
3. Enter the menu interface	9
4. System settings.....	10
<u>IV.FCC Warning words.....</u>	<u>11</u>

I . Use of the previous note

1. With the wrong type of battery replacement will be explosive danger, be sure to use

the original battery.

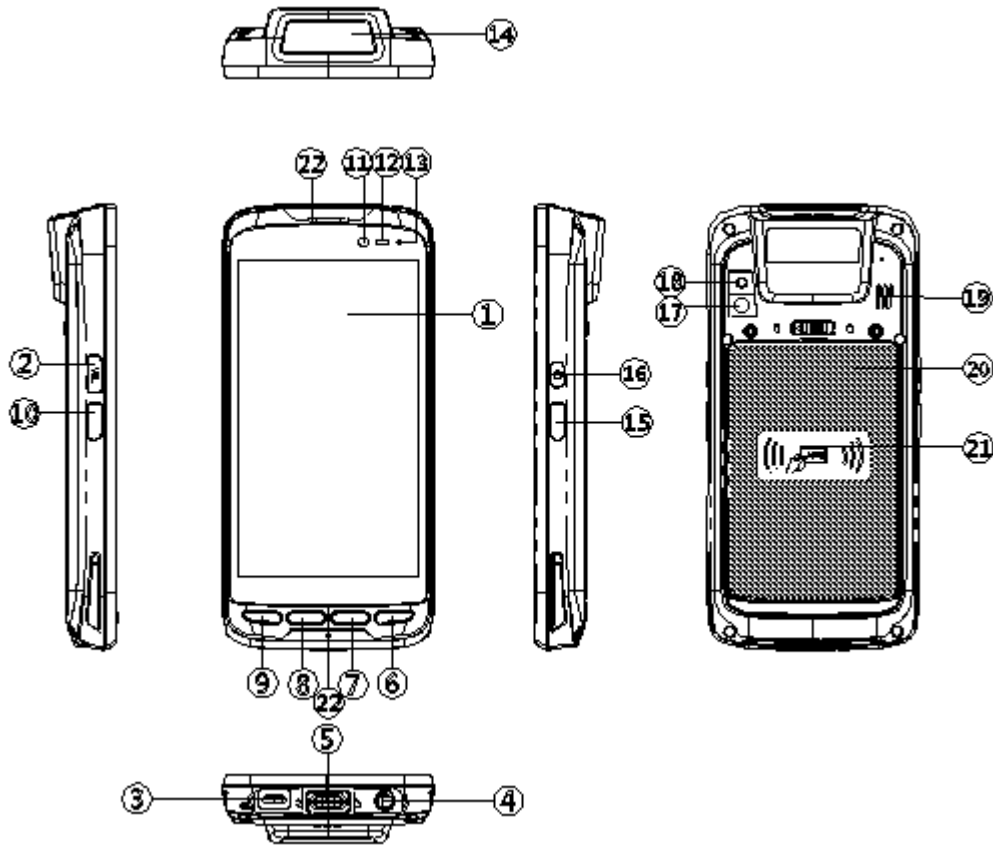
2. The company shall not take any responsibility for the loss or removal of the information in the Handheld Scanner, which is caused by the operation, maintenance or other accidents of the non-normal operation of the software and hardware.

3. Please backup your important information at any time.

4. Please do not disassemble the Handheld Scanner; otherwise it will lose the right to guarantee.

5. Adapter description: INPUT: 100-240V~50/60Hz 0.4A OUTPUT:5V DC 2A

II . Key Layout and Definitions



①LCD/ Touch screen : LCD display and Touch screen.

②VOL button : Sound volume.

③Charging interface: Charging the tablet via DC adapter/Micro USB 2.0/Micro USB 2.0 to OTG

④Earphone Jack: The jack support outputs the audio signal to a loudspeaker.

⑤POGO PIN : Link adaptable charging base.

⑥/⑦/⑧/⑨Interface operation button : Back/Camera/Menu/Home button.

⑩/⑮:Scavenging key / custom function keys : Scavenging key.

⑪Front camera:Camera, video .

⑫Light sensor: Perception of external pipeline strength, electrical signal to CPU.

⑬ **Indication LED:** Boot charge indication

⑭ **Scan Head :** Scanning the light of one bit code / two dimensional code from here, pointing the light at one bit code / two dimensional code, will display the scanning content in the APP.

⑮ **Power button:** To start or close touch screen panel. You can also let the computer to sleep or wake up from hibernation mode.

⑰ **Rear camera:** Camera, video.

⑱ **Rear camera flash :** Provide light when photographing at night.

⑲ **Speaker:** Built-in speaker, so you can hear the sound without additional link equipment.

⑳ **Battery:** Removable lithium ion polymer battery.

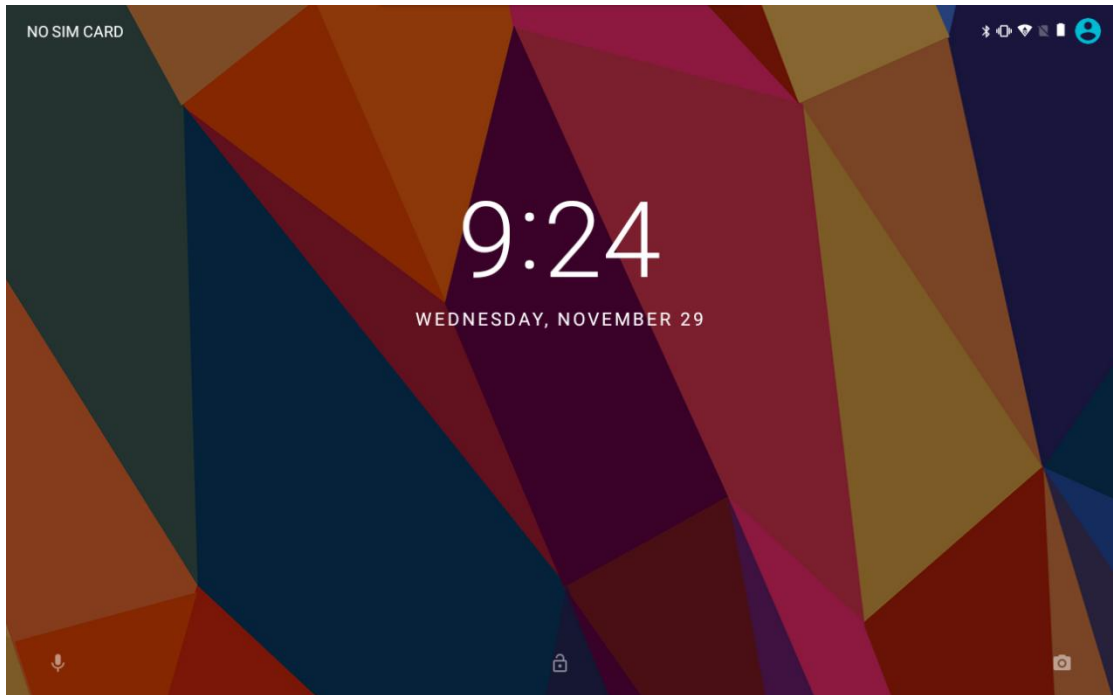
㉑ **NFC:** NFC ANT

㉒ **MIC:** Recording sensor.

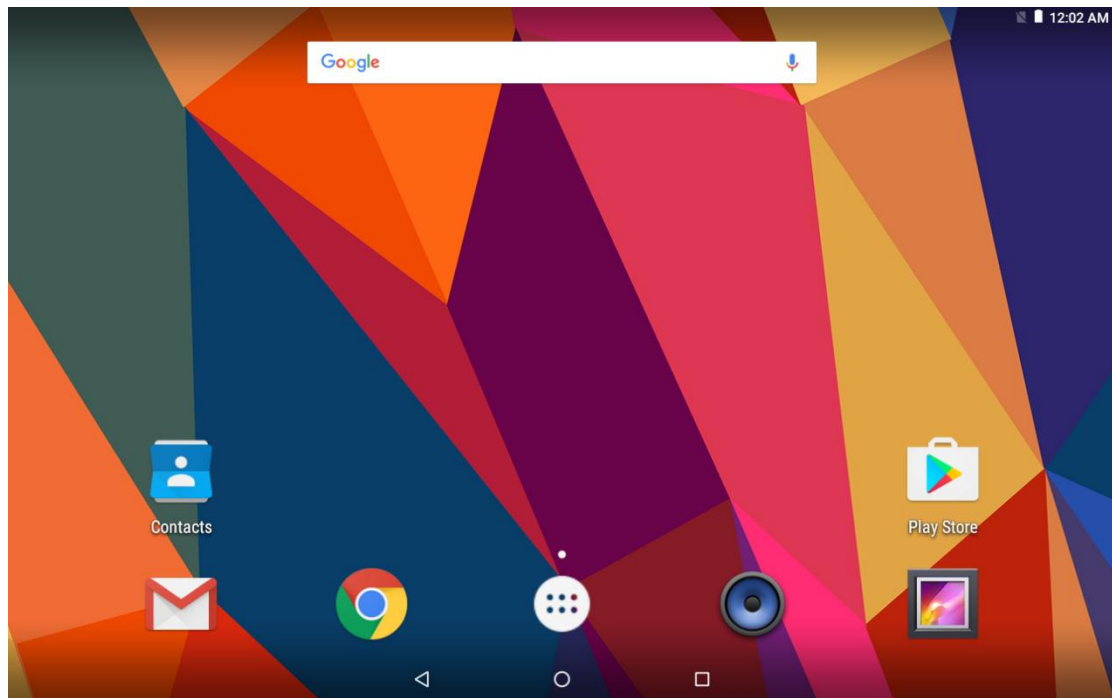
III. Introduction to Desktop

1. opening interface:

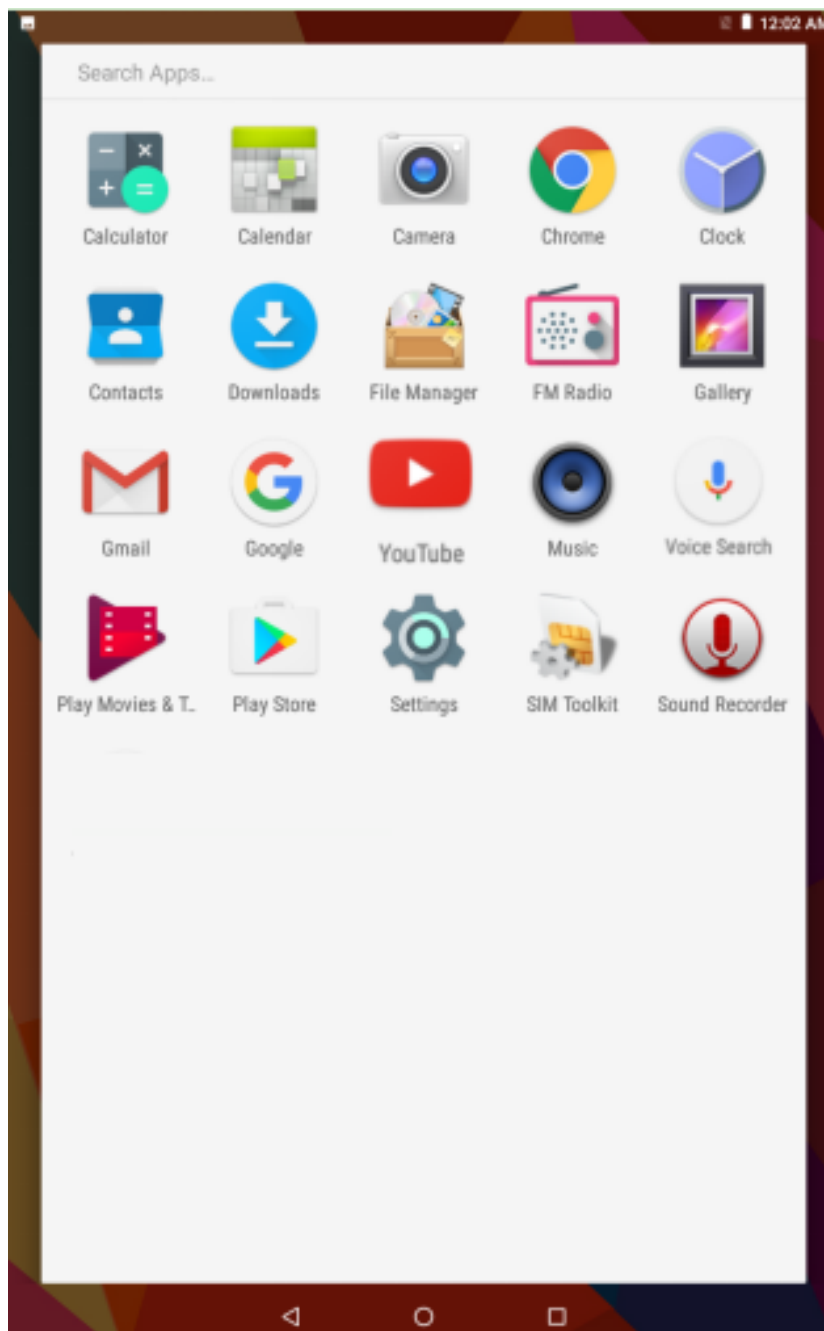
If there is a lock screen interface in the next figure, please unlock the slide lock icon.



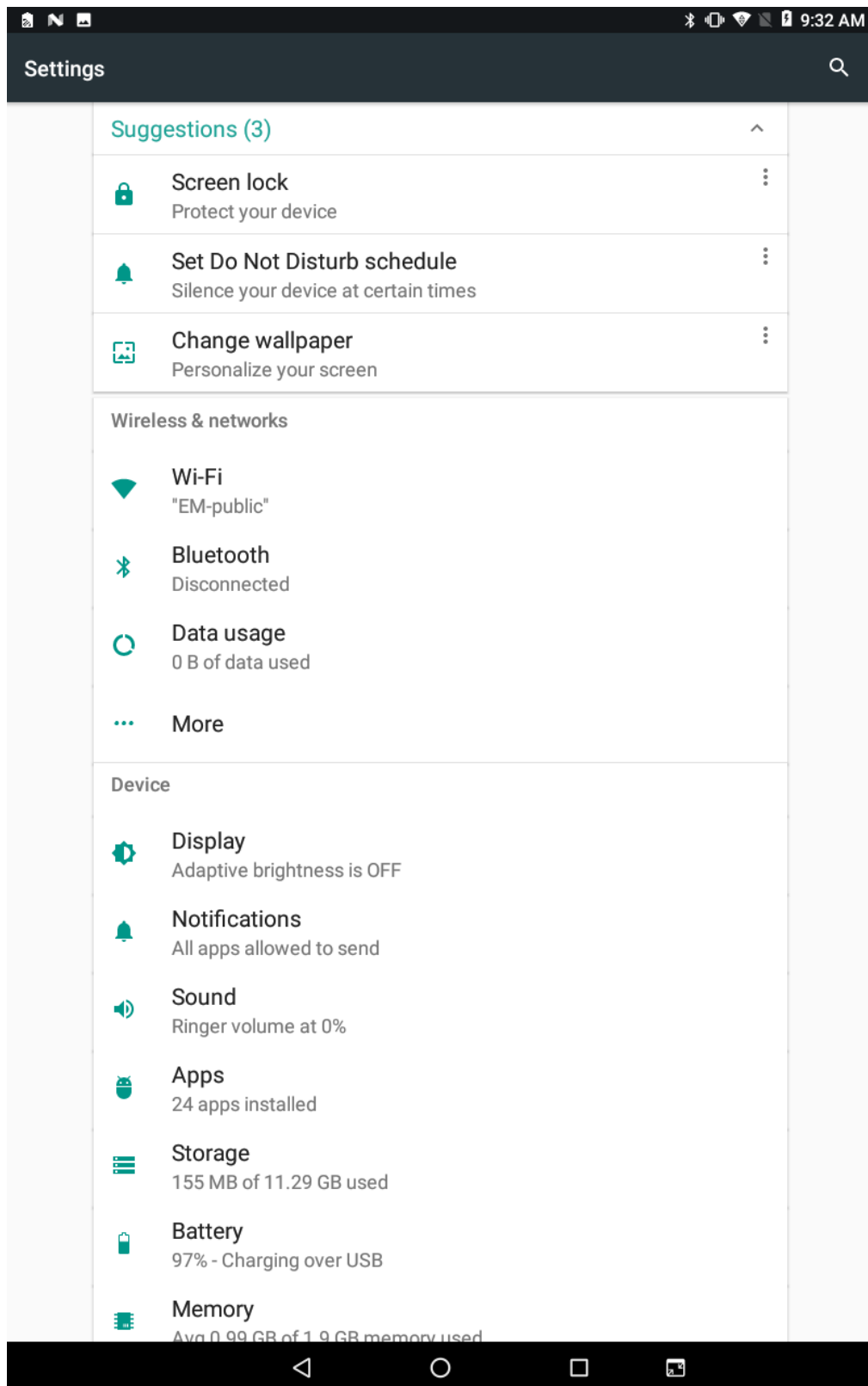
2. Into the desktop, as shown in the following figure:



3. Enter the menu interface:



4. System settings:



System functions, please refer to the official Android 7 system.

Boha Handheld Scanner

Model Number: RD52

FCC ID:

Made In China

This device complies with part 15 of the FCC Rules. Operation is subject to the condition that this device does not cause harmful interference

Any changes or modifications not expressly approved by the party responsible for compliance could void the user's authority to operate the equipment.

NOTE: This equipment has been tested and found to comply with the limits for a Class B digital device, pursuant to Part 15 of the FCC Rules. These limits are designed to provide reasonable protection against harmful interference in a residential installation. This equipment generates, uses and can radiate radio frequency energy and, if not installed and used in accordance with the instructions, may cause harmful interference to radio communications. However, there is no guarantee that interference will not occur in a particular installation. If this equipment does cause harmful interference to radio or television reception, which can be determined by turning the equipment off and on, the user is encouraged to try to correct the interference by one or more of the following measures:

- Reorient or relocate the receiving antenna.
- Increase the separation between the equipment and receiver.
- Connect the equipment into an outlet on a circuit different from that to which the receiver is connected.
- Consult the dealer or an experienced radio/TV technician for help.

Specific Absorption Rate (SAR) information:

This Mobile Phone meets the government's requirements for exposure to radio waves. The guidelines are based on standards that were developed by independent scientific organizations through periodic and thorough evaluation of scientific studies. The standards include a substantial safety margin designed to assure the safety of all persons regardless of age or health.

FCC RF Exposure Information and Statement The SAR limit of USA (FCC) is 1.6 W/kg averaged over one gram of tissue. Device types: RD52 (FCC ID: RBP-RD52) has also been tested against this SAR limit. The highest SAR value reported under this standard during product certification for use at the ear is 0.215W/kg and when properly worn on the body is 0.623W/kg. This device was tested for typical body-worn operations with the back of the handset kept 10mm from the body. To maintain compliance with FCC RF exposure requirements, use accessories that maintain a 10mm separation distance between the user's body and the back of the handset. The use of belt clips, holsters and similar accessories should not contain metallic components in its assembly. The use of accessories that do not satisfy these requirements may not comply with FCC RF exposure requirements, and should be avoided.

Body-worn Operation

This device was tested for typical body-worn operations. To comply with RF exposure requirements, a minimum separation distance of 10mm must be maintained between the user's body and the handset, including the antenna. Third-party belt-clips, holsters, and similar accessories used by this device should not contain any metallic components. Body-worn accessories that do not meet these requirements may not comply with RF exposure requirements and should be avoided. Use only the supplied or an approved antenna.