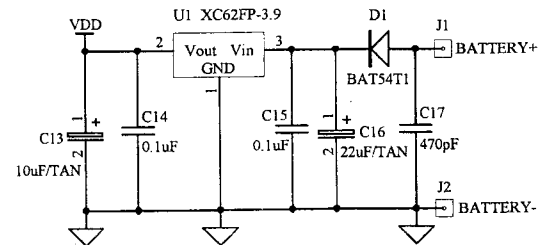
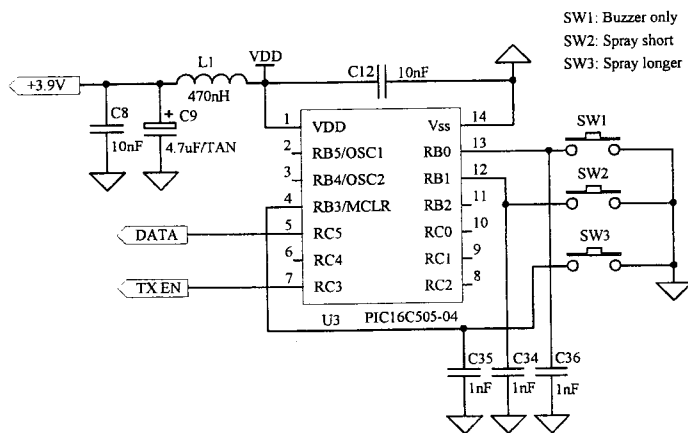
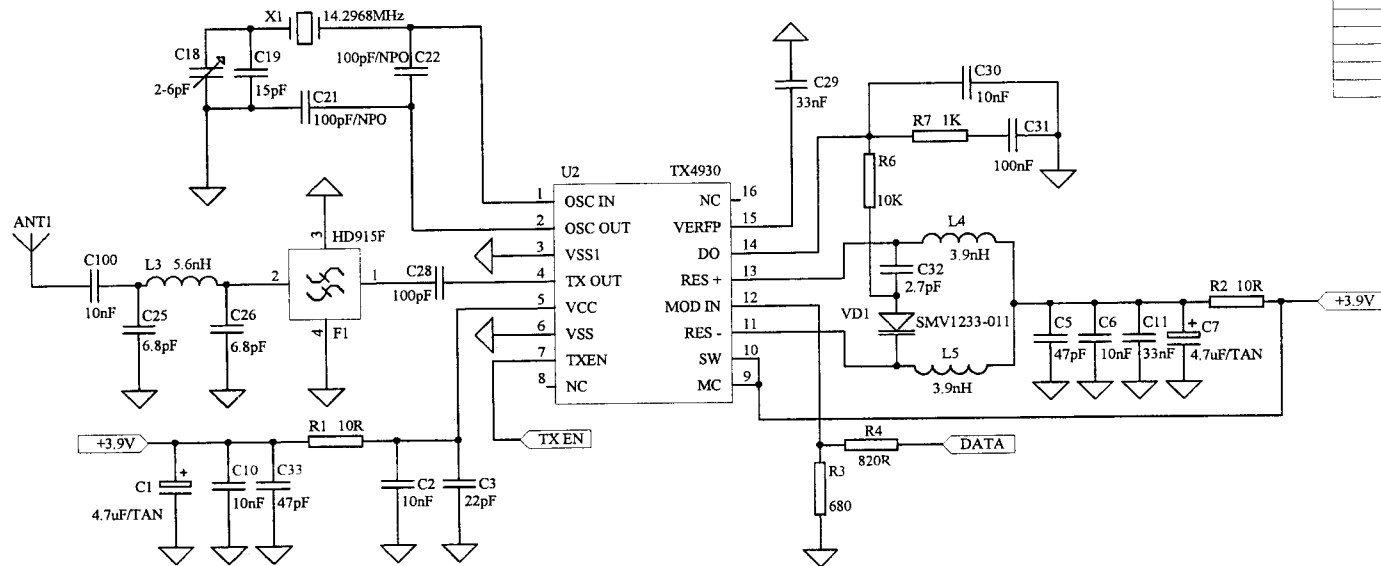


REVISION RECORD

Change Description	Approved	Date



Company:		JDI Company Limited	
Drawn:	TAW	Title: 915MHz SPRAY TRAINER TX	
Date:	DEC.06.2004	Document No:	Rev: A
Checked:		File: #336/915TX.SCH	Sheet 1 of 1
Date:			
Approved:			
Date:			