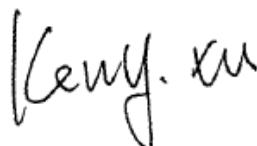


TEST REPORT

Application No. : SZCR2209003243AT
Applicant: Navico Auckland Ltd.
Address of Applicant: 44 Arrenway Drive, Rosedale, Auckland 0632, New Zealand
Manufacturer: Navico Auckland Ltd.
Address of Manufacturer: 44 Arrenway Drive, Rosedale, Auckland 0632, New Zealand
Factory: Shenzhen Fastrain Technology Co., Ltd.
Address of Factory: No.3 Baolong 4th Rd., Baolong Industrial Area, Longgang District, Shenzhen, China
Equipment Under Test (EUT):
EUT Name: MARINE BLACK BOX DSC/AIS VHF RADIO SYSTEM
Model No.: NRS-1, NRS-2 ♣
♣ Please refer to section 2 of this report which indicates which model was actually tested and which were electrically identical.
Trade mark: NAVICO
Standards: EN 301 025 V2.2.1
ITU-R M.493-15(01/2019)
IEC62238:2003
Date of Receipt: 2022-09-21
Date of Test: 2022-11-07 to 2022-11-22
Date of Issue: 2022-11-30

Test Result :	Pass*
----------------------	--------------

* In the configuration tested, the EUT complied with the standards specified above.



Keny Xu
EMC Laboratory Manager






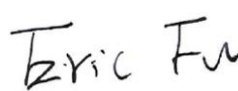
SGS-CSTC Standards Technical Services Co., Ltd. Shenzhen Branch

SZEMC-TRF-01 Rev. A/0 Aug01,2022

Report No.: SZCR220900324305

Page: 2 of 31

Revision Record				
Version	Chapter	Date	Modifier	Remark
01		2022-11-30		Original

Authorized for issue by:			
			
		Edison Li /Project Engineer	
			
		Eric Fu /Reviewer	



Unless otherwise agreed in writing, this document is issued by the Company subject to its General Conditions of Service printed overleaf, available on request or accessible at <http://www.sgs.com/en/Terms-and-Conditions.aspx> and, for electronic format documents, subject to Terms and Conditions for Electronic Documents at <http://www.sgs.com/en/Terms-and-Conditions/Terms-e-Documents.aspx>. Attention is drawn to the limitation of liability, indemnification and jurisdiction issues defined therein. Any holder of this document is advised that information contained hereon reflects the Company's findings at the time of its intervention only and within the limits of Client's instructions, if any. The Company's sole responsibility is to its Client and this document does not exonerate parties to a transaction from exercising all their rights and obligations under the transaction documents. This document cannot be reproduced except in full, without prior written approval of the Company. Any unauthorized alteration, forgery or falsification of the content or appearance of this document is unlawful and offenders may be prosecuted to the fullest extent of the law. Unless otherwise stated the results shown in this test report refer only to the sample(s) tested and such sample(s) are retained for 30 days only.

Attention: To check the authenticity of testing /inspection report & certificate, please contact us at telephone: (86-755) 8307 1443, or email: CN.Doccheck@sgs.com

No.1 Workshop, M-10, Middle Section, Science & Technology Park, Shenzhen, China 518057 t (86-755) 26012053 f (86-755) 26710594 www.sgs.com.cn
 中国·深圳·科技园中区M-10栋一号厂房 邮编: 518057 t (86-755) 26012053 f (86-755) 26710594 sgs.china@sgs.com

2 Test Summary

Transmitter				
Item	Standard	Method	Requirement	Result
Frequency error	EN 301 025 V2.2.1	EN 301 025 clause 8.1.2	EN 301 025 clause 8.1.3	Pass
Carrier power	EN 301 025 V2.2.1	EN 301 025 clause 8.2.2	EN 301 025 clause 8.2.3	Pass
Frequency deviation	EN 301 025 V2.2.1	EN 301 025 clause 8.3.2.1 & 8.3.3.1	EN 301 025 clause 8.3.2.2 & 8.3.3.2	Pass
Audio frequency response	EN 301 025 V2.2.1	EN 301 025 clause 8.5.2	EN 301 025 clause 8.5.3	Pass
Audio frequency harmonic distortion of the emission	EN 301 025 V2.2.1	EN 301 025 clause 8.6.2	EN 301 025 clause 8.6.3	Pass
Modulation index for DSC	EN 301 025 V2.2.1	EN 301 025 clause 8.13.2	EN 301 025 clause 8.13.3	Pass
Modulation rate for DSC	EN 301 025 V2.2.1	EN 301 025 clause 8.14.2	EN 301 025 clause 8.14.3	Pass

Radiotelephone receiver				
Harmonic distortion and rated audio-frequency output power	EN 301 025 V2.2.1	EN 301 025 clause 9.1.2	EN 301 025 clause 9.1.3	Pass
Audio frequency response	EN 301 025 V2.2.1	EN 301 025 clause 9.2.2	EN 301 025 clause 9.2.3	Pass
Blocking or desensitization	EN 301 025 V2.2.1	EN 301 025 clause 9.8.2	EN 301 025 clause 9.8.3	Pass

Receiver for DSC decoder				
Item	Standard	Method	Requirement	Result
Maximum usable sensitivity	EN 301 025 V2.2.1	EN 301 025 clause 10.1.2	EN 301 025 clause 10.1.3	Pass

N/A: Not applicable.



Remark:

Model No.: NRS-1, NRS-2

The model NRS-1 and NRS-2 was tested fully, since according to the declaration from the applicant, the electrical circuit design, layout, components used, internal wiring and functions were identical for all the above models, with only differences are the trade name, model no. and AIS board(NRS2 has AIS board inside the main unit and while NRS-1 not).

This test report (Ref. No.: SZCR220900324305) is only valid with the original test report (Ref. No.: SZEM210300219605).

According to the declaration from the applicant, review this report and original report, this report just replaces the MCU, but the specification is the same as previous, the models in this report and models in original report were identical, only difference with being the supplier of the MCU, considering to the difference, pre-scan were performed on the sample in this report to find the items which can be influential to the result in the original test report for fully retest.

Therefore in this report, the test items in the above table were fully retested on Model NRS-2 and shown the data in this report, other tests please refer to original report SZEM210300219605.



Unless otherwise agreed in writing, this document is issued by the Company subject to its General Conditions of Service printed overleaf, available on request or accessible at <http://www.sgs.com/en/Terms-and-Conditions.aspx> and, for electronic format documents, subject to Terms and Conditions for Electronic Documents at <http://www.sgs.com/en/Terms-and-Conditions/Terms-e-Documents.aspx>. Attention is drawn to the limitation of liability, indemnification and jurisdiction issues defined therein. Any holder of this document is advised that information contained hereon reflects the Company's findings at the time of its intervention only and within the limits of Client's instructions, if any. The Company's sole responsibility is to its Client and this document does not exonerate parties to a transaction from exercising all their rights and obligations under the transaction documents. This document cannot be reproduced except in full, without prior written approval of the Company. Any unauthorized alteration, forgery or falsification of the content or appearance of this document is unlawful and offenders may be prosecuted to the fullest extent of the law. Unless otherwise stated the results shown in this test report refer only to the sample(s) tested and such sample(s) are retained for 30 days only.

Attention: To check the authenticity of testing / inspection report & certificate, please contact us at telephone: (86-755) 8307 1443, or email: CN.Doccheck@sgs.com

No.1 Workshop, M-10, Middle Section, Science & Technology Park, Shenzhen, China 518057 t (86-755) 26012053 f (86-755) 26710594 www.sgs.com.cn
中国·深圳·科技园中区M-10栋一号厂房 邮编: 518057 t (86-755) 26012053 f (86-755) 26710594 sgs.china@sgs.com

3 Contents

	Page
1 COVER PAGE	1
2 TEST SUMMARY	3
3 CONTENTS	5
4 GENERAL INFORMATION	7
4.1 DETAILS OF E.U.T.....	7
4.2 DESCRIPTION OF SUPPORT UNITS.....	8
4.3 TEST ENVIRONMENT.....	8
4.4 MEASUREMENT UNCERTAINTY.....	9
4.5 TEST LOCATION.....	10
4.6 TEST FACILITY.....	10
4.7 DEVIATION FROM STANDARDS.....	10
4.8 ABNORMALITIES FROM STANDARD CONDITIONS.....	10
5 EQUIPMENT LIST	11
6 RADIO SPECTRUM MATTER TEST RESULTS	12
6.1 FREQUENCY ERROR.....	12
6.1.1 E.U.T. Operation.....	12
6.1.2 Test Setup Diagram.....	12
6.1.3 Measurement Data.....	12
6.2 CARRIER POWER.....	13
6.2.1 E.U.T. Operation.....	13
6.2.2 Test Setup Diagram.....	13
6.2.3 Measurement Data.....	13
6.3 FREQUENCY DEVIATION.....	14
6.3.1 E.U.T. Operation.....	14
6.3.2 Test Setup Diagram.....	14
6.3.3 Measurement Data.....	14
6.4 AUDIO FREQUENCY RESPONSE.....	15
6.4.1 E.U.T. Operation.....	16
6.4.2 Test Setup Diagram.....	16
6.4.3 Measurement Data.....	16
6.5 AUDIO FREQUENCY HARMONIC DISTORTION OF THE EMISSION.....	17
6.5.1 E.U.T. Operation.....	17
6.5.2 Test Setup Diagram.....	17
6.5.3 Measurement Data.....	17
6.6 MODULATION INDEX FOR DSC.....	18
6.6.1 E.U.T. Operation.....	18
6.6.2 Test Setup Diagram.....	18



Unless otherwise agreed in writing, this document is issued by the Company subject to its General Conditions of Service printed overleaf, available on request or accessible at <http://www.sgs.com/en/Terms-and-Conditions.aspx> and, for electronic format documents, subject to Terms and Conditions for Electronic Documents at <http://www.sgs.com/en/Terms-and-Conditions/Terms-e-Documents.aspx>. Attention is drawn to the limitation of liability, indemnification and jurisdiction issues defined therein. Any holder of this document is advised that information contained hereon reflects the Company's findings at the time of its intervention only and within the limits of Client's instructions, if any. The Company's sole responsibility is to its Client and this document does not exonerate parties to a transaction from exercising all their rights and obligations under the transaction documents. This document cannot be reproduced except in full, without prior written approval of the Company. Any unauthorized alteration, forgery or falsification of the content or appearance of this document is unlawful and offenders may be prosecuted to the fullest extent of the law. Unless otherwise stated the results shown in this test report refer only to the sample(s) tested and such sample(s) are retained for 30 days only.

6.6.3 Measurement Data.....18

6.7 MODULATION RATE FOR DSC19

6.7.1 E.U.T. Operation.....19

6.7.2 Test Setup Diagram19

6.7.3 Measurement Data.....19

6.8 HARMONIC DISTORTION AND RATED AUDIO-FREQUENCY OUTPUT POWER.....20

6.8.1 E.U.T. Operation.....20

6.8.2 Test Setup Diagram20

6.8.3 Measurement Data.....20

6.9 AUDIO FREQUENCY RESPONSE.....21

6.9.1 E.U.T. Operation.....22

6.9.2 Test Setup Diagram22

6.9.3 Measurement Data.....22

6.10 BLOCKING OR DESENSITIZATION.....23

6.10.1 E.U.T. Operation.....23

6.10.2 Test Setup Diagram.....23

6.10.3 Measurement Data.....23

6.11 MAXIMUM USABLE SENSITIVITY24

6.11.1 E.U.T. Operation.....24

6.11.2 Test Setup Diagram.....24

6.11.3 Measurement Data.....24

7 PHOTOGRAPHS.....25

7.1 TEST SETUP25

7.2 EUT CONSTRUCTIONAL DETAILS.....25

8 APPENDIX.....26

8.1 APPENDIX A---EN301 025 TEST DATA.....26



Unless otherwise agreed in writing, this document is issued by the Company subject to its General Conditions of Service printed overleaf, available on request or accessible at <http://www.sgs.com/en/Terms-and-Conditions.aspx> and, for electronic format documents, subject to Terms and Conditions for Electronic Documents at <http://www.sgs.com/en/Terms-and-Conditions/Terms-e-Documents.aspx>. Attention is drawn to the limitation of liability, indemnification and jurisdiction issues defined therein. Any holder of this document is advised that information contained hereon reflects the Company's findings at the time of its intervention only and within the limits of Client's instructions, if any. The Company's sole responsibility is to its Client and this document does not exonerate parties to a transaction from exercising all their rights and obligations under the transaction documents. This document cannot be reproduced except in full, without prior written approval of the Company. Any unauthorized alteration, forgery or falsification of the content or appearance of this document is unlawful and offenders may be prosecuted to the fullest extent of the law. Unless otherwise stated the results shown in this test report refer only to the sample(s) tested and such sample(s) are retained for 30 days only.

Attention: To check the authenticity of testing / inspection report & certificate, please contact us at telephone: (86-755) 8307 1443, or email: CN.Doccheck@sgs.com

4 General Information

4.1 Details of E.U.T.

EUT Name:	MARINE BLACK BOX DSC/AIS VHF RADIO SYSTEM
Model No.:	NRS-1, NRS-2
Power supply:	12 VDC battery system
Cable:	DC cable: longer than 300cm unshielded
Sample Type:	Mobile device
Internal Source:	More than 108MHz
Transmitter Frequency Range:	VHF:156.025MHz-157.425MHz
Receiver Frequency Range:	156.05MHz-163.275MHz
AIS Transmitter Frequency Range:	161.975MHz(CH87), 162.025MHz(CH88)
DSC Transmitter Frequency Range:	156.525MHz(CH70)
Modulation Type:	VHF:FM for Analog; DSC:FSK; AIS:GMSK;
Frequency Spacing:	VHF:25KHz
Emission Type:	16K0G3E for VHF; 16K0G2B for DSC;
Rated Output Power:	25W/1W for VHF/DSC; 2W for AIS;
VHF/DSC Antenna Connectors:	SO-239(50ohm, External Antenna)
AIS Antenna Connectors:	SO-239(50ohm, External Antenna)
VHF/DSC Antenna Gain:	6dBi
AIS Antenna Gain:	6dBi

Test Channel

Modulation Type	Channel Separation	Test Channel	Test Frequency (MHz)	
			TX	RX
FM	25KHz	L	156.025	156.050
		M(Channel 16)	156.800	156.800
		H	157.425	163.275
FSK		Channel 70	156.525	156.525



4.2 Description of Support Units

Description	Manufacturer	Model No.	Serial No.
DC power	ZHAOXIN	RXN-305D	REF. No.SEA2700
Coaxial Attenuator	Provided by client	TS4	HYT168793
Wired Handset	SIMRAD	HS100	/
Wired Speaker	/	SP100	/

4.3 Test Environment

Environment Parameter	Selected Values During Tests	
Relative Humidity	Ambient	
Value	Temperature(°C)	Voltage(V)
TNVN	25	12
TLVL	-20	10.8
TLVH	-20	15.6
THVL	55	10.8
THVH	55	15.6

Note:

- The EUT just work in such extreme temperature of -20°C~+55°C and the extreme voltage of 10.8V~15.6V, so here the EUT is tested in the temperature of -20°C~+55°C and the voltage of 10.8V~15.6V.
- | | |
|----------------------------------|-----------------------------------|
| VN: Normal Voltage | TN: Normal Temperature |
| VL: Low Extreme Test Voltage | VH: High Extreme Test Voltage |
| TL: Low Extreme Test Temperature | TH: High Extreme Test Temperature |



4.4 Measurement Uncertainty

No.	Item	Measurement Uncertainty
1	Radio Frequency	7.25 x 10 ⁻⁸
3	Duty cycle	0.37%
4	Occupied Bandwidth	3%
5	RF conducted power	0.75dB
6	Conducted Spurious emissions	0.75dB
7	Radiated Spurious emission test	4.5dB (30MHz-1GHz)
		4.8dB (1GHz-18GHz)
8	Temperature test	1°C
9	Humidity test	3%
10	Supply voltages	1.5%
11	Time	3%



4.5 Test Location

All tests were performed at:

SGS-CSTC Standards Technical Services Co., Ltd., Shenzhen Branch

No. 1 Workshop, M-10, Middle Section, Science & Technology Park, Shenzhen, Guangdong, China. 518057.

Tel: +86 755 2601 2053 Fax: +86 755 2671 0594

No tests were sub-contracted.

4.6 Test Facility

The test facility is recognized, certified, or accredited by the following organizations:

• **A2LA (Certificate No. 3816.01)**

SGS-CSTC Standards Technical Services Co., Ltd., Shenzhen EMC Laboratory is accredited by the American Association for Laboratory Accreditation(A2LA). Certificate No. 3816.01.

• **VCCI (Member No. 1937)**

The 3m Fully-anechoic chamber for above 1GHz, 10m Semi-anechoic chamber for below 1GHz, Shielded Room for Mains Port Conducted Interference Measurement and Telecommunication Port Conducted Interference Measurement of SGS-CSTC Standards Technical Services Co., Ltd. Shenzhen EMC laboratory have been registered in accordance with the Regulations for Voluntary Control Measures with Registration No.: G-20026, R-14188, C-12383 and T-11153 respectively.

• **Innovation, Science and Economic Development Canada**

SGS-CSTC Standards Technical Services Co., Ltd., Shenzhen EMC Laboratory has been recognized by ISED as an accredited testing laboratory.

CAB identifier: CN0006.

IC#: 4620C.

4.7 Deviation from Standards

None

4.8 Abnormalities from Standard Conditions

None



Unless otherwise agreed in writing, this document is issued by the Company subject to its General Conditions of Service printed overleaf, available on request or accessible at <http://www.sgs.com/en/Terms-and-Conditions.aspx> and, for electronic format documents, subject to Terms and Conditions for Electronic Documents at <http://www.sgs.com/en/Terms-and-Conditions/Terms-e-Documents.aspx>. Attention is drawn to the limitation of liability, indemnification and jurisdiction issues defined therein. Any holder of this document is advised that information contained hereon reflects the Company's findings at the time of its intervention only and within the limits of Client's instructions, if any. The Company's sole responsibility is to its Client and this document does not exonerate parties to a transaction from exercising all their rights and obligations under the transaction documents. This document cannot be reproduced except in full, without prior written approval of the Company. Any unauthorized alteration, forgery or falsification of the content or appearance of this document is unlawful and offenders may be prosecuted to the fullest extent of the law. Unless otherwise stated the results shown in this test report refer only to the sample(s) tested and such sample(s) are retained for 30 days only. Attention: To check the authenticity of testing / inspection report & certificate, please contact us at telephone: (86-755) 8307 1443, or email: CN.Doccheck@sgs.com

5 Equipment List

RF conducted test					
Equipment	Manufacturer	Model No.	Inventory No.	Cal Date	Cal Due Date
Shielding Room	AUDIX	N/A	SEM001-08	2022-05-14	2025-05-13
EXA Signal Analyzer	KEYSIGHT	N9010A	SEM004-09	2022-04-07	2023-04-06
DC Power Supply	KEYSIGHT	E3642A	SEM011-07	2022-03-22	2023-03-21
Manual Step Attenuator	KEYSIGHT	8494B	SEM021-05	2022-04-07	2023-04-06
Manual Step Attenuator	KEYSIGHT	8496B	SEM021-06	2022-04-07	2023-04-06
Power Sensor	TST PASS	TSPS2023R	SEM009-22	2022-09-21	2023-09-20
Power Sensor	TST PASS	TSPS2023R	SEM009-23	2022-09-21	2023-09-20
Power Sensor	TST PASS	TSPS2023R	SEM009-24	2022-09-21	2023-09-20
Power Sensor	TST PASS	TSPS2023R	SEM009-25	2022-09-21	2023-09-20
Programmable Temperature&Humidity Chamber	Votsch Industrietechnik GmbH	VT 4002	SEM002-15	2022-03-22	2023-03-21
Measurement Software	TST PASS	TST PASS V2.0	N/A	N/A	N/A
Coaxial Cable	SGS	N/A	SEM028-01	2022-07-08	2023-07-07
Vector Signal Generator	Rohde & Schwarz	SMW200A	SEM006-19	2022/10/8	2023/10/7
Audio Analyzer	Rohde&Schwarz	UPV	SEM008-03	2022/9/20	2023/9/19

General used equipment					
Equipment	Manufacturer	Model No.	Inventory No.	Cal Date	Cal Due Date
Humidity/ Temperature Indicator	Mingle	N/A	SEM002-08	2022-09-04	2023-09-03
Humidity/ Temperature Indicator	Anymetre	TH101B	SEM002-09	2022-09-04	2023-09-03
Barometer	Changchun Meteorological Industry Factory	DYM3	SEM002-01	2022-03-28	2023-03-27



Unless otherwise agreed in writing, this document is issued by the Company subject to its General Conditions of Service printed overleaf, available on request or accessible at <http://www.sgs.com/en/Terms-and-Conditions.aspx> and, for electronic format documents, subject to Terms and Conditions for Electronic Documents at <http://www.sgs.com/en/Terms-and-Conditions/Terms-e-Documents.aspx>. Attention is drawn to the limitation of liability, indemnification and jurisdiction issues defined therein. Any holder of this document is advised that information contained hereon reflects the Company's findings at the time of its intervention only and within the limits of Client's instructions, if any. The Company's sole responsibility is to its Client and this document does not exonerate parties to a transaction from exercising all their rights and obligations under the transaction documents. This document cannot be reproduced except in full, without prior written approval of the Company. Any unauthorized alteration, forgery or falsification of the content or appearance of this document is unlawful and offenders may be prosecuted to the fullest extent of the law. Unless otherwise stated the results shown in this test report refer only to the sample(s) tested and such sample(s) are retained for 30 days only.

6 Radio Spectrum Matter Test Results

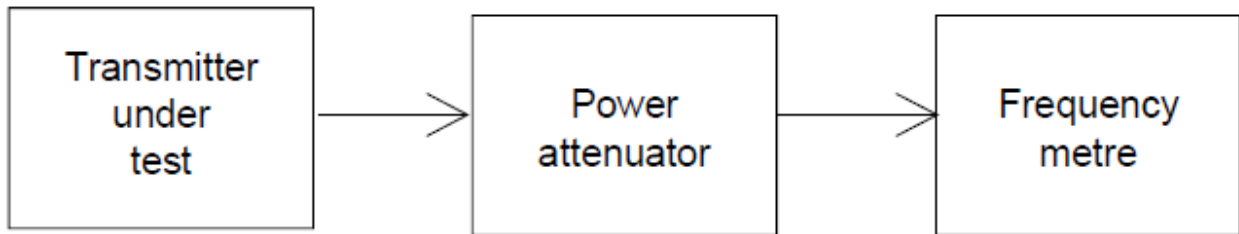
6.1 Frequency error

Test Requirement: EN 301 025 clause 8.1.3
 Test Method: EN 301 025 clause 8.1.2
 Limit: The frequency error shall be within $\pm 1,5$ kHz.

6.1.1 E.U.T. Operation

Operating Environment:
 Temperature: 22.1 °C Humidity: 53.6 % RH Atmospheric Pressure: 1015 mbar
 Test mode: 20: TX mode, Keep the EUT in transmitting mode.

6.1.2 Test Setup Diagram



6.1.3 Measurement Data

The detailed test data see: Appendix 301 025.



6.2 Carrier power

Test Requirement: EN 301 025 clause 8.2.3
 Test Method: EN 301 025 clause 8.2.2
 Limit: **Normal test conditions**

The rated output power of the equipment shall be between 6 W and 25 W.
 With the output power switch set at maximum, the carrier power shall be within $\pm 1,5$ dB of the rated output power under normal test conditions. The output power shall never however exceed 25 W.
 With the output power switch set at minimum the carrier power shall remain between 0,1 W and 1 W.
 The maximum continuous transmission time shall be between 5 min and 6 min.

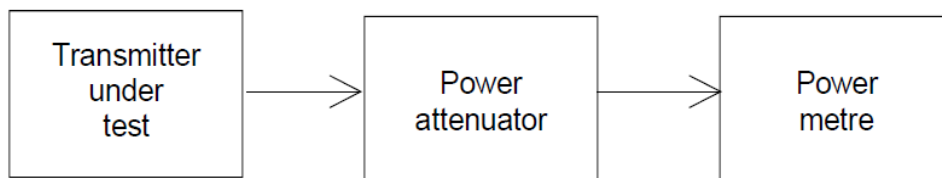
Extreme test conditions

With the output power switch set at maximum, the carrier power shall remain between 6 W and 25 W and be within +2 dB, -3 dB of the rated output power under extreme conditions. The output power shall never however exceed 25 W.
 With the output power switch set at minimum the carrier power shall remain between 0,1 W and 1 W.
 The maximum continuous transmission time shall be between 5 min and 6 min.

6.2.1 E.U.T. Operation

Operating Environment:
 Temperature: 22.1 °C Humidity: 53.6 % RH Atmospheric Pressure: 1015 mbar
 Test mode: 20: TX mode, Keep the EUT in transmitting mode.

6.2.2 Test Setup Diagram



6.2.3 Measurement Data

The detailed test data see: Appendix 301 025.



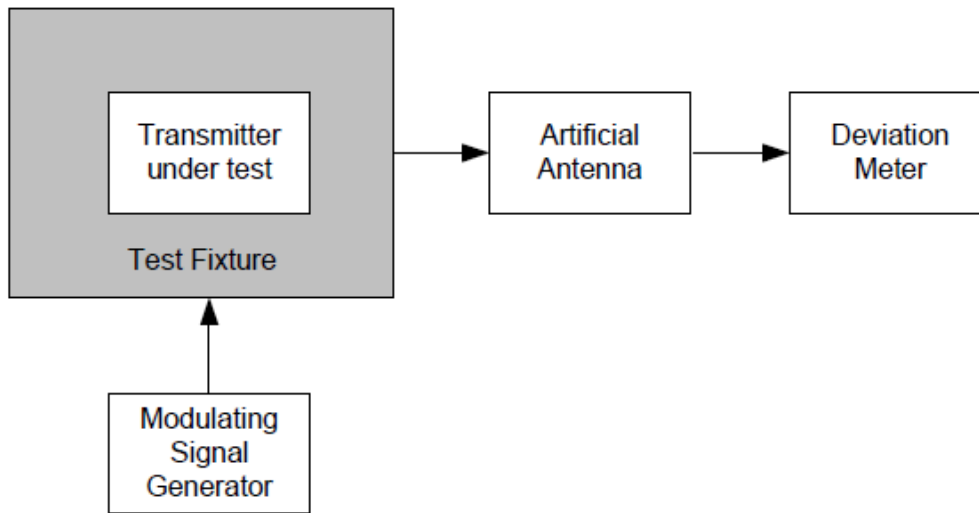
6.3 Frequency deviation

Test Requirement	EN 301 025 clause 8.3.2.2 & 8.3.3.2
Test Method:	EN 301 025 clause 8.3.2.1 & 8.3.3.1
Limit:	The maximum permissible frequency deviation shall be: <ul style="list-style-type: none"> • 25 kHz channels: ± 5 kHz. • 12,5 kHz channels: $\pm 2,5$ kHz.

6.3.1 E.U.T. Operation

Operating Environment:
 Temperature: 22.1 °C Humidity: 53.6 % RH Atmospheric Pressure: 1015 mbar
 Test mode: 20: TX mode, Keep the EUT in transmitting mode.

6.3.2 Test Setup Diagram



6.3.3 Measurement Data

The detailed test data see: Appendix 301 025.



Unless otherwise agreed in writing, this document is issued by the Company subject to its General Conditions of Service printed overleaf, available on request or accessible at <http://www.sgs.com/en/Terms-and-Conditions.aspx> and, for electronic format documents, subject to Terms and Conditions for Electronic Documents at <http://www.sgs.com/en/Terms-and-Conditions/Terms-e-Documents.aspx>. Attention is drawn to the limitation of liability, indemnification and jurisdiction issues defined therein. Any holder of this document is advised that information contained hereon reflects the Company's findings at the time of its intervention only and within the limits of Client's instructions, if any. The Company's sole responsibility is to its Client and this document does not exonerate parties to a transaction from exercising all their rights and obligations under the transaction documents. This document cannot be reproduced except in full, without prior written approval of the Company. Any unauthorized alteration, forgery or falsification of the content or appearance of this document is unlawful and offenders may be prosecuted to the fullest extent of the law. Unless otherwise stated the results shown in this test report refer only to the sample(s) tested and such sample(s) are retained for 30 days only.
 Attention: To check the authenticity of testing / inspection report & certificate, please contact us at telephone: (86-755) 8307 1443, or email: CN.Doccheck@sgs.com

6.4 Audio frequency response

Test Requirement EN 301 025 clause 8.5.3
 Test Method: EN 301 025 clause 8.5.2
 Limit: The audio frequency response shall be within +1 dB and -3 dB of a 6 dB/octave line passing through the reference point. The upper limit frequency shall be 2,55 kHz for 12,5 kHz channels.

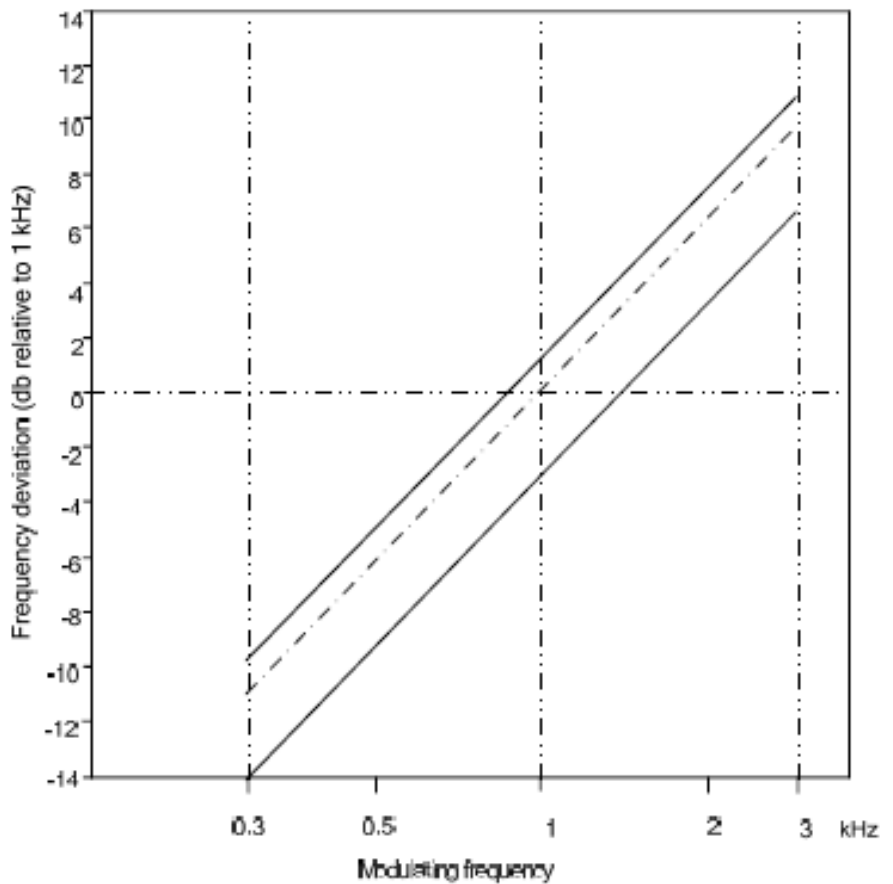


Figure 2: Audio frequency response



Unless otherwise agreed in writing, this document is issued by the Company subject to its General Conditions of Service printed overleaf, available on request or accessible at <http://www.sgs.com/en/Terms-and-Conditions.aspx> and, for electronic format documents, subject to Terms and Conditions for Electronic Documents at <http://www.sgs.com/en/Terms-and-Conditions/Terms-e-Documents.aspx>. Attention is drawn to the limitation of liability, indemnification and jurisdiction issues defined therein. Any holder of this document is advised that information contained hereon reflects the Company's findings at the time of its intervention only and within the limits of Client's instructions, if any. The Company's sole responsibility is to its Client and this document does not exonerate parties to a transaction from exercising all their rights and obligations under the transaction documents. This document cannot be reproduced except in full, without prior written approval of the Company. Any unauthorized alteration, forgery or falsification of the content or appearance of this document is unlawful and offenders may be prosecuted to the fullest extent of the law. Unless otherwise stated the results shown in this test report refer only to the sample(s) tested and such sample(s) are retained for 30 days only.
 Attention: To check the authenticity of testing / inspection report & certificate, please contact us at telephone: (86-755) 8307 1443, or email: CN.Doccheck@sgs.com

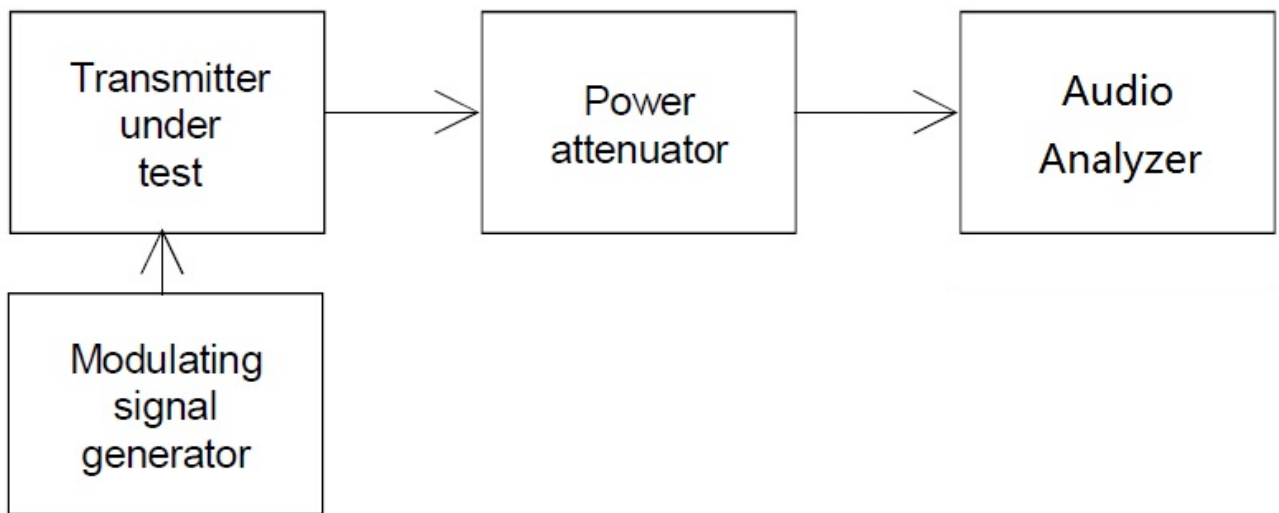
6.4.1 E.U.T. Operation

Operating Environment:

Temperature: 22.1 °C Humidity: 53.6 % RH Atmospheric Pressure: 1015 mbar

Test mode: 20: TX mode, Keep the EUT in transmitting mode.

6.4.2 Test Setup Diagram



6.4.3 Measurement Data

The detailed test data see: Appendix 301 025.



Unless otherwise agreed in writing, this document is issued by the Company subject to its General Conditions of Service printed overleaf, available on request or accessible at <http://www.sgs.com/en/Terms-and-Conditions.aspx> and, for electronic format documents, subject to Terms and Conditions for Electronic Documents at <http://www.sgs.com/en/Terms-and-Conditions/Terms-e-Documents.aspx>. Attention is drawn to the limitation of liability, indemnification and jurisdiction issues defined therein. Any holder of this document is advised that information contained hereon reflects the Company's findings at the time of its intervention only and within the limits of Client's instructions, if any. The Company's sole responsibility is to its Client and this document does not exonerate parties to a transaction from exercising all their rights and obligations under the transaction documents. This document cannot be reproduced except in full, without prior written approval of the Company. Any unauthorized alteration, forgery or falsification of the content or appearance of this document is unlawful and offenders may be prosecuted to the fullest extent of the law. Unless otherwise stated the results shown in this test report refer only to the sample(s) tested and such sample(s) are retained for 30 days only.

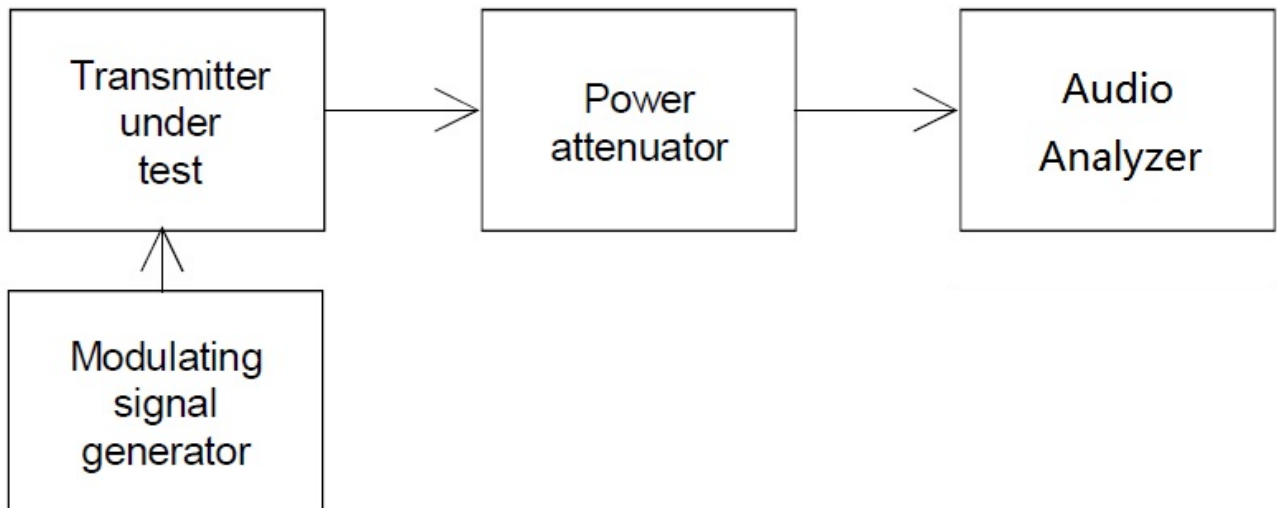
6.5 Audio frequency harmonic distortion of the emission

Test Requirement EN 301 025 clause 8.6.3
Test Method: EN 301 025 clause 8.6.2
Limit: The harmonic distortion shall not exceed 10 %.

6.5.1 E.U.T. Operation

Operating Environment:
Temperature: 22.1 °C Humidity: 53.6 % RH Atmospheric Pressure: 1015 mbar
Test mode: 20: TX mode, Keep the EUT in transmitting mode.

6.5.2 Test Setup Diagram



6.5.3 Measurement Data

The detailed test data see: Appendix 301 025.



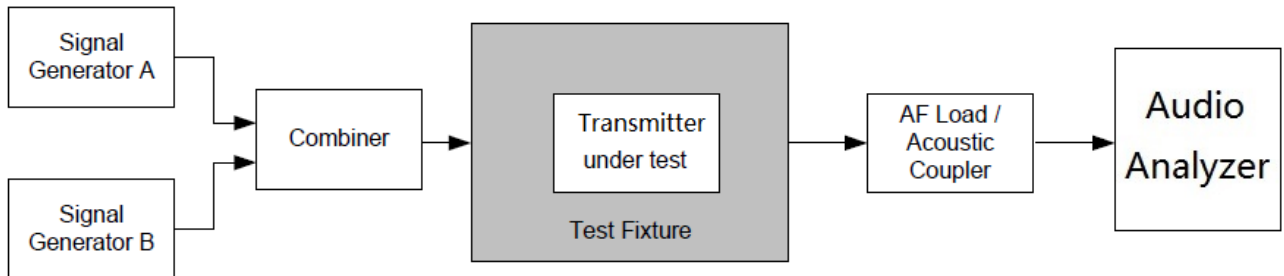
6.6 Modulation index for DSC

Test Requirement: EN 301 025 clause 8.13.3
 Test Method: EN 301 025 clause 8.13.2
 Limit: The modulation index shall be $2,0 \pm 10 \%$.

6.6.1 E.U.T. Operation

Operating Environment:
 Temperature: 22.1 °C Humidity: 53.6 % RH Atmospheric Pressure: 1015 mbar
 Test mode: 20: TX mode, Keep the EUT in transmitting mode.

6.6.2 Test Setup Diagram



6.6.3 Measurement Data

The detailed test data see: Appendix 301 025.



Unless otherwise agreed in writing, this document is issued by the Company subject to its General Conditions of Service printed overleaf, available on request or accessible at <http://www.sgs.com/en/Terms-and-Conditions.aspx> and, for electronic format documents, subject to Terms and Conditions for Electronic Documents at <http://www.sgs.com/en/Terms-and-Conditions/Terms-e-Documents.aspx>. Attention is drawn to the limitation of liability, indemnification and jurisdiction issues defined therein. Any holder of this document is advised that information contained hereon reflects the Company's findings at the time of its intervention only and within the limits of Client's instructions, if any. The Company's sole responsibility is to its Client and this document does not exonerate parties to a transaction from exercising all their rights and obligations under the transaction documents. This document cannot be reproduced except in full, without prior written approval of the Company. Any unauthorized alteration, forgery or falsification of the content or appearance of this document is unlawful and offenders may be prosecuted to the fullest extent of the law. Unless otherwise stated the results shown in this test report refer only to the sample(s) tested and such sample(s) are retained for 30 days only.
 Attention: To check the authenticity of testing / inspection report & certificate, please contact us at telephone: (86-755) 8307 1443, or email: CN.Doccheck@sgs.com

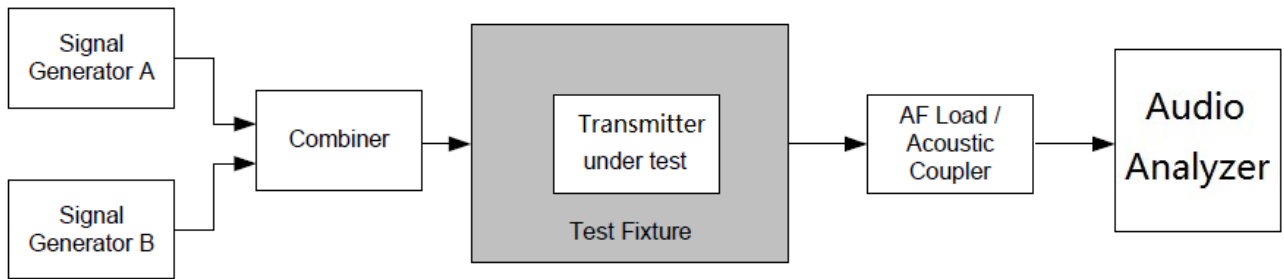
6.7 Modulation rate for DSC

Test Requirement: EN 301 025 clause 8.14.3
 Test Method: EN 301 025 clause 8.14.2
 Limit: The frequency shall be 600 Hz ± 30 ppm corresponding to a modulation rate of 1 200 baud.

6.7.1 E.U.T. Operation

Operating Environment:
 Temperature: 22.1 °C Humidity: 53.6 % RH Atmospheric Pressure: 1015 mbar
 Test mode: 20: TX mode, Keep the EUT in transmitting mode.

6.7.2 Test Setup Diagram



6.7.3 Measurement Data

The detailed test data see: Appendix 301 025.



Unless otherwise agreed in writing, this document is issued by the Company subject to its General Conditions of Service printed overleaf, available on request or accessible at <http://www.sgs.com/en/Terms-and-Conditions.aspx> and, for electronic format documents, subject to Terms and Conditions for Electronic Documents at <http://www.sgs.com/en/Terms-and-Conditions/Terms-e-Documents.aspx>. Attention is drawn to the limitation of liability, indemnification and jurisdiction issues defined therein. Any holder of this document is advised that information contained hereon reflects the Company's findings at the time of its intervention only and within the limits of Client's instructions, if any. The Company's sole responsibility is to its Client and this document does not exonerate parties to a transaction from exercising all their rights and obligations under the transaction documents. This document cannot be reproduced except in full, without prior written approval of the Company. Any unauthorized alteration, forgery or falsification of the content or appearance of this document is unlawful and offenders may be prosecuted to the fullest extent of the law. Unless otherwise stated the results shown in this test report refer only to the sample(s) tested and such sample(s) are retained for 30 days only.
 Attention: To check the authenticity of testing / inspection report & certificate, please contact us at telephone: (86-755) 8307 1443, or email: CN.Doccheck@sgs.com

6.8 Harmonic distortion and rated audio-frequency output power

Test Requirement: EN 301 025 clause 9.1.3
 Test Method: EN 301 025 clause 9.1.2
 Limit: The rated audio-frequency output power shall be at least:

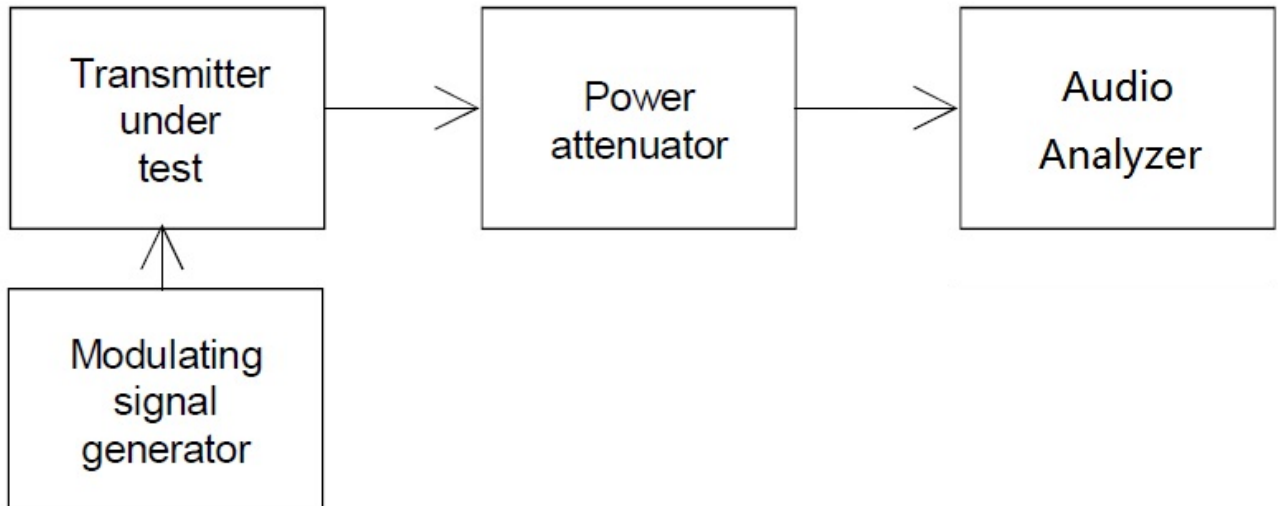
- 2 W in a loudspeaker;
- 1 mW in the handset earphone.

The harmonic distortion shall not exceed 10 %.

6.8.1 E.U.T. Operation

Operating Environment:
 Temperature: 22.1 °C Humidity: 53.6 % RH Atmospheric Pressure: 1015 mbar
 Test mode: 21: RX mode, Keep the EUT in receiving mode.

6.8.2 Test Setup Diagram



6.8.3 Measurement Data

The detailed test data see: Appendix 301 025.



Unless otherwise agreed in writing, this document is issued by the Company subject to its General Conditions of Service printed overleaf, available on request or accessible at <http://www.sgs.com/en/Terms-and-Conditions.aspx> and, for electronic format documents, subject to Terms and Conditions for Electronic Documents at <http://www.sgs.com/en/Terms-and-Conditions/Terms-e-Documents.aspx>. Attention is drawn to the limitation of liability, indemnification and jurisdiction issues defined therein. Any holder of this document is advised that information contained hereon reflects the Company's findings at the time of its intervention only and within the limits of Client's instructions, if any. The Company's sole responsibility is to its Client and this document does not exonerate parties to a transaction from exercising all their rights and obligations under the transaction documents. This document cannot be reproduced except in full, without prior written approval of the Company. Any unauthorized alteration, forgery or falsification of the content or appearance of this document is unlawful and offenders may be prosecuted to the fullest extent of the law. Unless otherwise stated the results shown in this test report refer only to the sample(s) tested and such sample(s) are retained for 30 days only.
 Attention: To check the authenticity of testing / inspection report & certificate, please contact us at telephone: (86-755) 8307 1443, or email: CN.Doccheck@sgs.com

6.9 Audio frequency response

Test Requirement: EN 301 025 clause 9.2.3
 Test Method: EN 301 025 clause 9.2.2
 Limit: The audio frequency response shall not deviate by more than +1 dB or -3 dB from a characteristic giving the output level as a function of the audio frequency, decreasing by 6 dB per octave and passing through the measured point at 1 kHz (see figure 5).

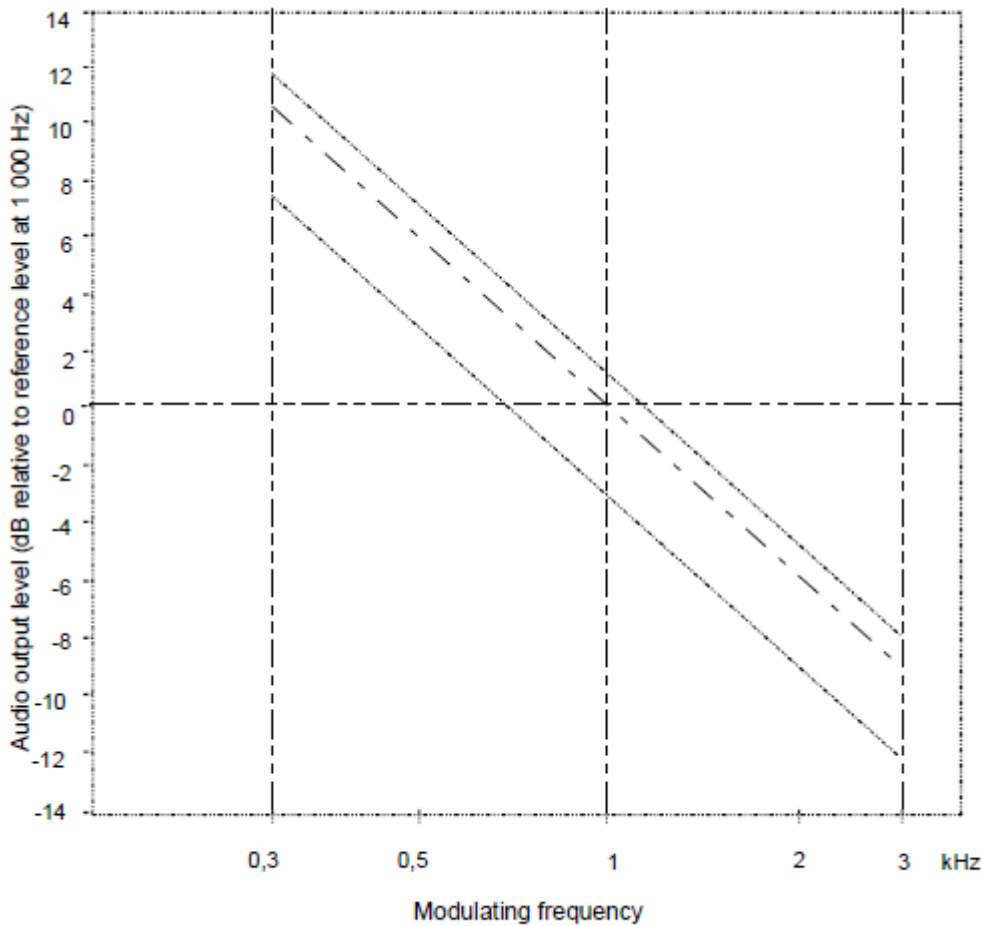


Figure 5: Audio frequency response



Unless otherwise agreed in writing, this document is issued by the Company subject to its General Conditions of Service printed overleaf, available on request or accessible at <http://www.sgs.com/en/Terms-and-Conditions.aspx> and, for electronic format documents, subject to Terms and Conditions for Electronic Documents at <http://www.sgs.com/en/Terms-and-Conditions/Terms-e-Documents.aspx>. Attention is drawn to the limitation of liability, indemnification and jurisdiction issues defined therein. Any holder of this document is advised that information contained hereon reflects the Company's findings at the time of its intervention only and within the limits of Client's instructions, if any. The Company's sole responsibility is to its Client and this document does not exonerate parties to a transaction from exercising all their rights and obligations under the transaction documents. This document cannot be reproduced except in full, without prior written approval of the Company. Any unauthorized alteration, forgery or falsification of the content or appearance of this document is unlawful and offenders may be prosecuted to the fullest extent of the law. Unless otherwise stated the results shown in this test report refer only to the sample(s) tested and such sample(s) are retained for 30 days only.
 Attention: To check the authenticity of testing / inspection report & certificate, please contact us at telephone: (86-755) 8307 1443, or email: CN.Doccheck@sgs.com

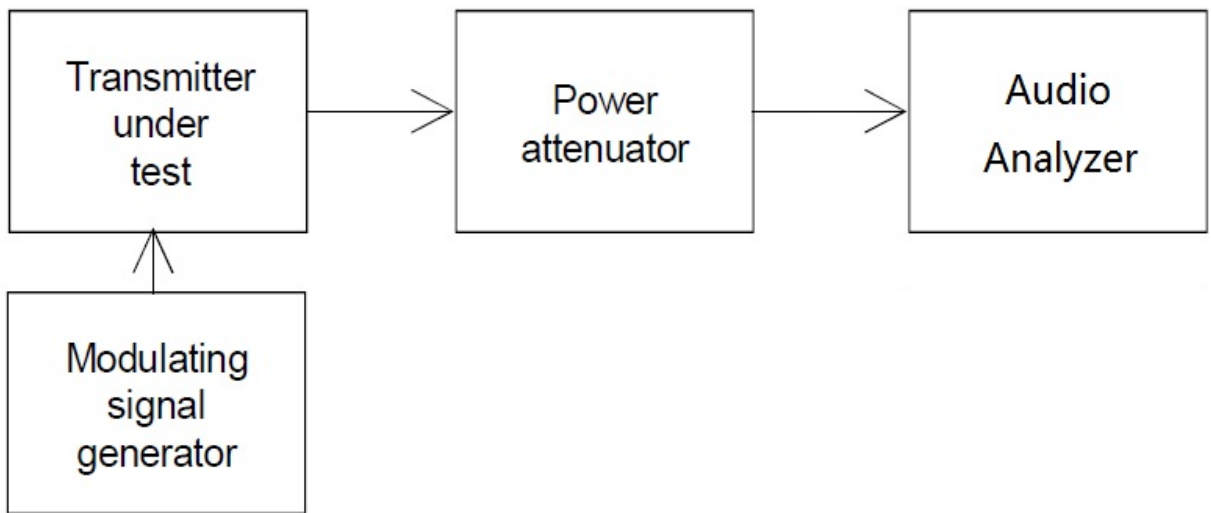
6.9.1 E.U.T. Operation

Operating Environment:

Temperature: 22.1 °C Humidity: 53.6 % RH Atmospheric Pressure: 1015 mbar

Test mode: 21: RX mode, Keep the EUT in receiving mode.

6.9.2 Test Setup Diagram



A test signal of +60 dB μ V (e.m.f.), at a carrier frequency equal to the nominal frequency of the receiver and modulated with normal test modulation (see clause 6.4) shall be applied to the receiver antenna port under the conditions specified in clause 6.1.

The receiver's audiofrequency power control shall be set so as to produce a power level equal to 50 % of the rated output power (see clause 9.1). This setting shall remain unchanged during the test.

The frequency deviation shall then be reduced to ± 1 kHz and the audio output is the reference point in figure 5 (1 kHz corresponds to 0 dB).

The frequency deviation shall remain constant while the modulation frequency is varied between 300 Hz and 3 kHz and the output level shall then be measured.

The measurement shall be repeated with a test signal at frequencies 1,5 kHz above and below the nominal frequency of the receiver.

6.9.3 Measurement Data

The detailed test data see: Appendix 301 025.



Unless otherwise agreed in writing, this document is issued by the Company subject to its General Conditions of Service printed overleaf, available on request or accessible at <http://www.sgs.com/en/Terms-and-Conditions.aspx> and, for electronic format documents, subject to Terms and Conditions for Electronic Documents at <http://www.sgs.com/en/Terms-and-Conditions/Terms-e-Documents.aspx>. Attention is drawn to the limitation of liability, indemnification and jurisdiction issues defined therein. Any holder of this document is advised that information contained hereon reflects the Company's findings at the time of its intervention only and within the limits of Client's instructions, if any. The Company's sole responsibility is to its Client and this document does not exonerate parties to a transaction from exercising all their rights and obligations under the transaction documents. This document cannot be reproduced except in full, without prior written approval of the Company. Any unauthorized alteration, forgery or falsification of the content or appearance of this document is unlawful and offenders may be prosecuted to the fullest extent of the law. Unless otherwise stated the results shown in this test report refer only to the sample(s) tested and such sample(s) are retained for 30 days only.
 Attention: To check the authenticity of testing / inspection report & certificate, please contact us at telephone: (86-755) 8307 1443, or email: CN.Doccheck@sgs.com

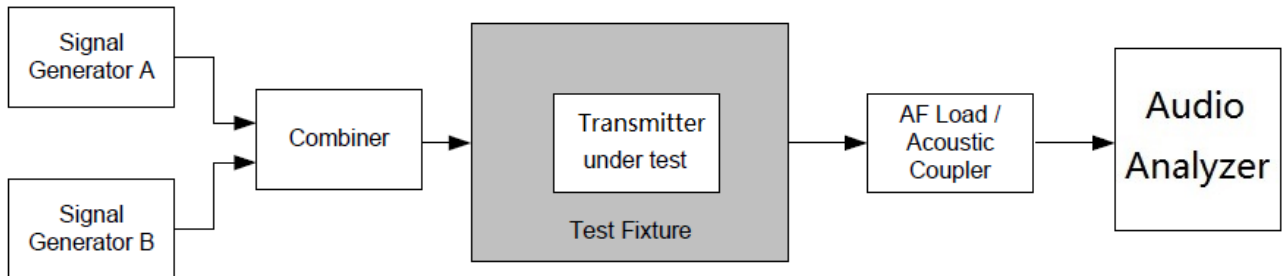
6.10 Blocking or desensitization

Test Requirement EN 301 025 clause 9.8.3
 Test Method: EN 301 025 clause 9.8.2
 Limit: The blocking level for any frequency within the specified ranges, shall be not less than 90 dBuV (e.m.f.), except at frequencies on which spurious responses are found.

6.10.1 E.U.T. Operation

Operating Environment:
 Temperature: 22.1 °C Humidity: 53.6 % RH Atmospheric Pressure: 1015 mbar
 Test mode: 21: RX mode, Keep the EUT in receiving mode.

6.10.2 Test Setup Diagram



6.10.3 Measurement Data

The detailed test data see: Appendix 301 025.



Unless otherwise agreed in writing, this document is issued by the Company subject to its General Conditions of Service printed overleaf, available on request or accessible at <http://www.sgs.com/en/Terms-and-Conditions.aspx> and, for electronic format documents, subject to Terms and Conditions for Electronic Documents at <http://www.sgs.com/en/Terms-and-Conditions/Terms-e-Documents.aspx>. Attention is drawn to the limitation of liability, indemnification and jurisdiction issues defined therein. Any holder of this document is advised that information contained hereon reflects the Company's findings at the time of its intervention only and within the limits of Client's instructions, if any. The Company's sole responsibility is to its Client and this document does not exonerate parties to a transaction from exercising all their rights and obligations under the transaction documents. This document cannot be reproduced except in full, without prior written approval of the Company. Any unauthorized alteration, forgery or falsification of the content or appearance of this document is unlawful and offenders may be prosecuted to the fullest extent of the law. Unless otherwise stated the results shown in this test report refer only to the sample(s) tested and such sample(s) are retained for 30 days only.
 Attention: To check the authenticity of testing / inspection report & certificate, please contact us at telephone: (86-755) 8307 1443, or email: CN.Doccheck@sgs.com

6.11 Maximum usable sensitivity

Test Requirement: EN 301 025 clause 10.1.3
Test Method: EN 301 025 clause 10.1.2
Limit: The bit error ratio shall be equal to or less than 10⁻².

6.11.1 E.U.T. Operation

Operating Environment:
Temperature: 22.1 °C Humidity: 53.6 % RH Atmospheric Pressure: 1015 mbar
Test mode: 21: RX mode, Keep the EUT in DSC receiving mode.

6.11.2 Test Setup Diagram

DSC standard test signal containing DSC calls shall be applied to the receiver input. The input level shall be 0 dBuV under normal test conditions and +6 dBuV under extreme test conditions.

The measurement shall be repeated under normal test conditions at the nominal carrier frequency ±1,5 kHz. The bit error ratio in the decoder output shall be determined.

6.11.3 Measurement Data

The detailed test data see: Appendix 301 025.



7 Photographs

7.1 Test Setup



7.2 EUT Constructional Details

Refer to Appendix A - Photographs of EUT Constructional Details for SZCR2209003243AT



Unless otherwise agreed in writing, this document is issued by the Company subject to its General Conditions of Service printed overleaf, available on request or accessible at <http://www.sgs.com/en/Terms-and-Conditions.aspx> and, for electronic format documents, subject to Terms and Conditions for Electronic Documents at <http://www.sgs.com/en/Terms-and-Conditions/Terms-e-Documents.aspx>. Attention is drawn to the limitation of liability, indemnification and jurisdiction issues defined therein. Any holder of this document is advised that information contained hereon reflects the Company's findings at the time of its intervention only and within the limits of Client's instructions, if any. The Company's sole responsibility is to its Client and this document does not exonerate parties to a transaction from exercising all their rights and obligations under the transaction documents. This document cannot be reproduced except in full, without prior written approval of the Company. Any unauthorized alteration, forgery or falsification of the content or appearance of this document is unlawful and offenders may be prosecuted to the fullest extent of the law. Unless otherwise stated the results shown in this test report refer only to the sample(s) tested and such sample(s) are retained for 30 days only. Attention: To check the authenticity of testing / inspection report & certificate, please contact us at telephone: (86-755) 8307 1443, or email: CN.Doccheck@sgs.com

8 Appendix

8.1 Appendix A---EN301 025 Test data.

1. Transmitter/Frequency error

Test Frequency (MHz)	Temperature (°C)	Power Supplied (V Dc)	Measured Result for High Power (KHz)	Measured Result for Low Power (KHz)	Limit (KHz)	Verdict
Normal condition						
156.8	Tnor=25	Vnor=12	0.011	0.015	±1.5	Pass
Extreme condition						
156.8	Tmin=-20	Vmin=10.8	0.010	0.012	±1.5	Pass
	Tmin =-20	Vmax=15.6	0.011	0.011	±1.5	Pass
	Tmax=55	Vmin=10.8	0.012	0.010	±1.5	Pass
	Tmax =55	Vmax=15.6	0.010	0.011	±1.5	Pass

2. Transmitter/Carrier power

Test Channel	Temperature (°C)	Power Supplied (V Dc)	Channel Separation (KHz)	Measured Result (dBm)	Limit (dBm)	Verdict
Highest RF output power (conducted)						
Normal condition						
L	Tnor=25	Vnor=12	25	42.1	42.48±1.5	Pass
M				42.4	42.48±1.5	Pass
H				42.5	42.48±1.5	Pass
Extreme condition						
L	Tmin=-20	Vmin=10.8	25	43.6	41.98+2,-3	Pass
	Tmin =-20	Vmax=15.6		43.5	41.98+2,-3	Pass



Unless otherwise agreed in writing, this document is issued by the Company subject to its General Conditions of Service printed overleaf, available on request or accessible at <http://www.sgs.com/en/Terms-and-Conditions.aspx> and, for electronic format documents, subject to Terms and Conditions for Electronic Documents at <http://www.sgs.com/en/Terms-and-Conditions/Terms-e-Documents.aspx>. Attention is drawn to the limitation of liability, indemnification and jurisdiction issues defined therein. Any holder of this document is advised that information contained hereon reflects the Company's findings at the time of its intervention only and within the limits of Client's instructions, if any. The Company's sole responsibility is to its Client and this document does not exonerate parties to a transaction from exercising all their rights and obligations under the transaction documents. This document cannot be reproduced except in full, without prior written approval of the Company. Any unauthorized alteration, forgery or falsification of the content or appearance of this document is unlawful and offenders may be prosecuted to the fullest extent of the law. Unless otherwise stated the results shown in this test report refer only to the sample(s) tested and such sample(s) are retained for 30 days only.

M	Tmax=55	Vmin=10.8	25	42.7	41.98+2,-3	Pass
	Tmax =55	Vmax=15.6		42.8	41.98+2,-3	Pass
	Tmin=-20	Vmin=10.8		43.5	41.98+2,-3	Pass
	Tmin =-20	Vmax=15.6		43.2	41.98+2,-3	Pass
	Tmax=55	Vmin=10.8		42.9	41.98+2,-3	Pass
	Tmax =55	Vmax=15.6		42.7	41.98+2,-3	Pass
H	Tmin=-20	Vmin=10.8	25	42.9	41.98+2,-3	Pass
	Tmin =-20	Vmax=15.6		42.8	41.98+2,-3	Pass
	Tmax=55	Vmin=10.8		42.4	41.98+2,-3	Pass
	Tmax =55	Vmax=15.6		42.6	41.98+2,-3	Pass
Lowest RF output power (conducted)						
Normal condition						
L	Tnor=25	Vnor=12	25	29.4	20~30dBm	Pass
M				29.5	20~30dBm	Pass
H				29.4	20~30dBm	Pass
Extreme condition						
L	Tmin=-20	Vmin=10.8	25	29.6	20~30dBm	Pass
	Tmin =-20	Vmax=15.6		29.7	20~30dBm	Pass
	Tmax=55	Vmin=10.8		29.5	20~30dBm	Pass
	Tmax =55	Vmax=15.6		29.7	20~30dBm	Pass
M	Tmin=-20	Vmin=10.8	25	29.6	20~30dBm	Pass
	Tmin =-20	Vmax=15.6		29.5	20~30dBm	Pass
	Tmax=55	Vmin=10.8		29.5	20~30dBm	Pass
	Tmax =55	Vmax=15.6		29.7	20~30dBm	Pass
H	Tmin=-20	Vmin=10.8	25	29.4	20~30dBm	Pass
	Tmin =-20	Vmax=15.6		29.6	20~30dBm	Pass
	Tmax=55	Vmin=10.8		29.6	20~30dBm	Pass
	Tmax =55	Vmax=15.6		29.7	20~30dBm	Pass

Note: The rated high power: 25W=43.98dBm, The rated low power: 1W=30dBm



Unless otherwise agreed in writing, this document is issued by the Company subject to its General Conditions of Service printed overleaf, available on request or accessible at <http://www.sgs.com/en/Terms-and-Conditions.aspx> and, for electronic format documents, subject to Terms and Conditions for Electronic Documents at <http://www.sgs.com/en/Terms-and-Conditions/Terms-e-Documents.aspx>. Attention is drawn to the limitation of liability, indemnification and jurisdiction issues defined therein. Any holder of this document is advised that information contained hereon reflects the Company's findings at the time of its intervention only and within the limits of Client's instructions, if any. The Company's sole responsibility is to its Client and this document does not exonerate parties to a transaction from exercising all their rights and obligations under the transaction documents. This document cannot be reproduced except in full, without prior written approval of the Company. Any unauthorized alteration, forgery or falsification of the content or appearance of this document is unlawful and offenders may be prosecuted to the fullest extent of the law. Unless otherwise stated the results shown in this test report refer only to the sample(s) tested and such sample(s) are retained for 30 days only.
Attention: To check the authenticity of testing / inspection report & certificate, please contact us at telephone: (86-755) 8307 1443, or email: CN.Doccheck@sgs.com

3. Transmitter/Frequency deviation

Test Frequency (MHz)	Modulation Frequency (Hz)	Input level	Maximum Deviation(KHz)		Limit (KHz)	Verdict
			High Power	Low Power		
156.8	100	20dB 3KHz	2.44	2.18	±5.0	Pass
	200	20dB 3KHz	1.74	1.28	±5.0	Pass
	300	20dB 3KHz	1.48	1.67	±5.0	Pass
	400	20dB 3KHz	2.19	2.03	±5.0	Pass
	500	20dB 3KHz	2.77	2.84	±5.0	Pass
	1000	20dB 3KHz	3.47	3.52	±5.0	Pass
	1500	20dB 3KHz	3.66	3.73	±5.0	Pass
	2000	20dB 3KHz	3.29	3.59	±5.0	Pass
	2500	20dB 3KHz	3.88	3.71	±5.0	Pass
	3000	20dB 3KHz	3.31	3.24	±5.0	Pass

4. Transmitter/Audio Frequency Response

Test Frequency (MHz)	Modulation Frequency (Hz)	Upper Limit	Lower Limit	Modulation Index(dB) Relative. To 1KHz	Verdict
156.8	300	-9.5	-13.5	-9.53	Pass
	500	-5	-9	-5.26	Pass
	800	-0.9	-4.9	-1.75	Pass
	1000	1	-3	0	Pass
	1500	4.5	0.5	3.19	Pass
	1800	6.1	2.1	5.77	Pass
	2000	7	3	5.34	Pass
	2500	9	5	7.71	Pass
	3000	10.5	6.5	7.86	Pass



Unless otherwise agreed in writing, this document is issued by the Company subject to its General Conditions of Service printed overleaf, available on request or accessible at <http://www.sgs.com/en/Terms-and-Conditions.aspx> and, for electronic format documents, subject to Terms and Conditions for Electronic Documents at <http://www.sgs.com/en/Terms-and-Conditions/Terms-e-Documents.aspx>. Attention is drawn to the limitation of liability, indemnification and jurisdiction issues defined therein. Any holder of this document is advised that information contained hereon reflects the Company's findings at the time of its intervention only and within the limits of Client's instructions, if any. The Company's sole responsibility is to its Client and this document does not exonerate parties to a transaction from exercising all their rights and obligations under the transaction documents. This document cannot be reproduced except in full, without prior written approval of the Company. Any unauthorized alteration, forgery or falsification of the content or appearance of this document is unlawful and offenders may be prosecuted to the fullest extent of the law. Unless otherwise stated the results shown in this test report refer only to the sample(s) tested and such sample(s) are retained for 30 days only.

Attention: To check the authenticity of testing / inspection report & certificate, please contact us at telephone: (86-755) 8307 1443, or email: CN.Doccheck@sgs.com

5. Transmitter/Audio frequency harmonic distortion of the emission

Test Frequency (MHz)	Temperature (°C)	Power Supplied (V Dc)	Modulation Frequency (Hz)	AF Distortion(%)		Limit (%)	Verdict
				High Power	Low Power		
Normal condition							
156.8	Tnor=25	Vnor=12	300	1.5	1.5	≤10	Pass
			500	1.5	1.5	≤10	Pass
			1000	1.6	1.6	≤10	Pass
Extreme condition							
156.8	Tmin=-20	Vmin=10.8	1000	1.6	1.6	≤10	Pass
	Tmin =-20	Vmax=15.6	1000	1.6	1.6	≤10	Pass
	Tmax=55	Vmin=10.8	1000	1.6	1.6	≤10	Pass
	Tmax =55	Vmax=15.6	1000	1.6	1.6	≤10	Pass

6. Transmitter/Modulation index for DSC

Test State	Temperature (°C)	Power Supplied (V Dc)	Measured Frequency (Hz)	Modulation index	Measured Result (Hz)	Verdict
Normal condition, Assigned Frequency:156.525MHz(Channel 70)						
B-state	Tnor=25	Vnor=12	2100	2±10%	4080	Pass
Y-state	Tnor=25	Vnor=12	1300	2±10%	2560	Pass

7. Transmitter/Modulation rate for DSC

Test Frequency (MHz)	Temperature (°C)	Power Supplied (V Dc)	Modulation Rate (bit/s)	Frequency Error (ppm)	Limit (ppm)	Verdict
156.525	Tnor=25	Vnor=12	1200	11	≤30	Pass



Unless otherwise agreed in writing, this document is issued by the Company subject to its General Conditions of Service printed overleaf, available on request or accessible at <http://www.sgs.com/en/Terms-and-Conditions.aspx> and, for electronic format documents, subject to Terms and Conditions for Electronic Documents at <http://www.sgs.com/en/Terms-and-Conditions/Terms-e-Documents.aspx>. Attention is drawn to the limitation of liability, indemnification and jurisdiction issues defined therein. Any holder of this document is advised that information contained hereon reflects the Company's findings at the time of its intervention only and within the limits of Client's instructions, if any. The Company's sole responsibility is to its Client and this document does not exonerate parties to a transaction from exercising all their rights and obligations under the transaction documents. This document cannot be reproduced except in full, without prior written approval of the Company. Any unauthorized alteration, forgery or falsification of the content or appearance of this document is unlawful and offenders may be prosecuted to the fullest extent of the law. Unless otherwise stated the results shown in this test report refer only to the sample(s) tested and such sample(s) are retained for 30 days only.

8. Receiver/Harmonic distortion and rated audio-frequency output power

Signal Level (dbuV)	Modulation Frequency (Hz)	AF Loudspeaker		Limit		Verdict
		Pout(W)	Dist.(%)	Output Power(W)	AF Distortion (%)	
Normal condition, Assigned Frequency:156.8MHz						
60	300	4.4	0.6	>2	≤10	Pass
	500	6.9	0.6	>2	≤10	Pass
	1000	6.1	1.3	>2	≤10	Pass

9.Receiver/Audio Frequency Response for receiver

Modulation Frequency (Hz)	Upper Limit (dB)	Lower Limit (dB)	Relative Audio Power			Max Level	Min Level	Verdict
			Fn(dB)	Fn (-1.5KHz)	Fn (+1.5KHz)			
Normal condition, Assigned Frequency:156.8MHz								
300	11.5	7.5	8.1	8.0	8.3	8.3	8.0	Pass
500	7	3	5.5	5.1	5.2	5.5	5.1	Pass
800	2.9	-1.1	1.7	1.4	1.6	1.7	1.4	Pass
1000	1	-3	0	0	0	0	0	Pass
1500	-1.5	-5.5	-3.2	-3.5	-3.4	-3.2	-3.5	Pass
2000	-5	-9	-6.1	-7.4	-6.9	-6.1	-7.4	Pass
3000	-8.5	-12.5	-10.5	-10.7	-12.1	-10.5	-12.1	Pass



Unless otherwise agreed in writing, this document is issued by the Company subject to its General Conditions of Service printed overleaf, available on request or accessible at <http://www.sgs.com/en/Terms-and-Conditions.aspx> and, for electronic format documents, subject to Terms and Conditions for Electronic Documents at <http://www.sgs.com/en/Terms-and-Conditions/Terms-e-Documents.aspx>. Attention is drawn to the limitation of liability, indemnification and jurisdiction issues defined therein. Any holder of this document is advised that information contained hereon reflects the Company's findings at the time of its intervention only and within the limits of Client's instructions, if any. The Company's sole responsibility is to its Client and this document does not exonerate parties to a transaction from exercising all their rights and obligations under the transaction documents. This document cannot be reproduced except in full, without prior written approval of the Company. Any unauthorized alteration, forgery or falsification of the content or appearance of this document is unlawful and offenders may be prosecuted to the fullest extent of the law. Unless otherwise stated the results shown in this test report refer only to the sample(s) tested and such sample(s) are retained for 30 days only.

10. Receiver/Blocking or desensitisation

Frequencies of the signal		Blocking Level (dBuV)	Block Limit (dBuV)	Verdict	
Wanted signal A (MHz)	Unwanted signal B (MHz)				
Normal condition(Tnor=25, Vnor=12)					
156.8	-10	146.8	103.4	≥90	Pass
	-5	151.8	105.1	≥90	Pass
	-2	154.8	104.2	≥90	Pass
	-1	155.8	103.5	≥90	Pass
	+1	157.8	102.2	≥90	Pass
	+2	158.8	101.7	≥90	Pass
	+5	161.8	102.6	≥90	Pass
	+10	166.8	104.6	≥90	Pass

11. DSC Receiver/Maximum useable sensitivity

Test Freq. (MHz)	Temp. (°C)	Power Supplied (V Dc)	Carrier Freq. (KHz)	Input Level (dBuV)	BER (%)	BER limit (%)	Verdict
Normal condition							
156.525	Tnor=25	Vnor=12	Fn	0	0.02	≤1	Pass
			Fn+1.5	0	0.02	≤1	Pass
			Fn-1.5	0	0.01	≤1	Pass
Extreme condition							
156.525	Tmin=-20	Vmin=10.8	Fn	6	0.01	≤1	Pass
	Tmin =-20	Vmax=15.6	Fn	6	0.04	≤1	Pass
	Tmax=55	Vmin=10.8	Fn	6	0.05	≤1	Pass
	Tmax =55	Vmax=15.6	Fn	6	0.03	≤1	Pass

- End of the Report -

