

Material: Polyester
Color of ground: White
Printing color: Black
Size: 40X15 mm
Glue: ACRYLIC

Arcadyan Packing Drawing

Model No.
WN9722AAC22-DM XX

Cust. No.
WN9722AAC22-DM XX

Prod. P/N.
FIBDM9722xxxJ

SHIP KIT P/N.
PIBDM9722xxxJ

Revision : R2.1

ECN No. -----

DATE : 2015/09/22

● : ECN Change Item

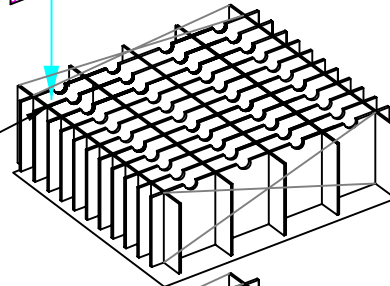
將 PCBA 放入Bubble Bag , 排插面朝上, 散熱片朝下
裝入. 並使用透明膠帶封住



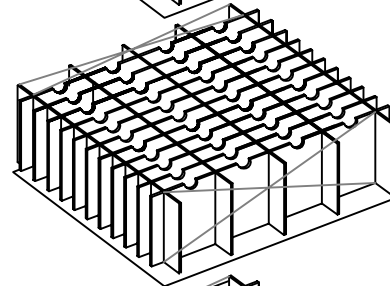
PCBA
背面

(5)
Bubble Bag
封口朝下放置

1層Partition 放 40pcs
最前與最後一排不放



(6)EPE FOAM*3

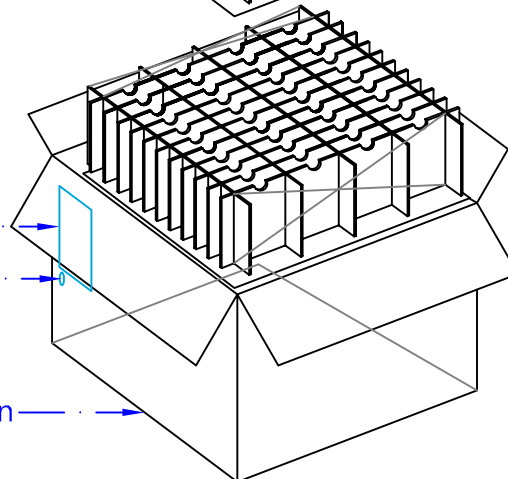


(4)Partition * 3

(1)Carton Label

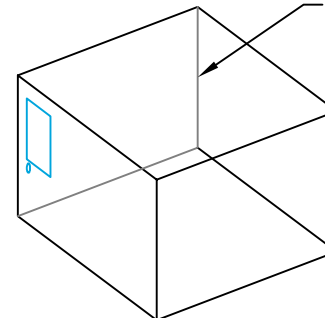
(8)Monthly Label

(2)Carton



1 Carton = 120 pcs

接縫處



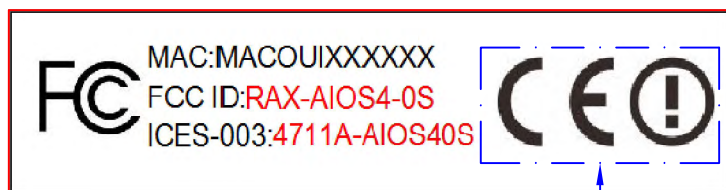
Arcadyan Technology Corporation.2013. All rights are reserved.
The information contained herein is the exclusive property of Arcadyan and shall not be used, distributed, reproduced, or disclosed in whole or in part without prior written permission of Arcadyan. It thereof does not convey or imply any licenses under patent rights or other industrial or intellectual property rights.
Arcadyan Confidential Information

Creator. Linda_tseng

Page. 1

<LOGO LABEL> (9) 40x10MM

(9) 隨線列印, 需印製 MAC ID



此部分 logo 高度需 ≥ 5MM

(9) 黏貼 LABEL 時可接受 蓋到少數零件



<CARTON LABEL>

(1) 100X165MM x 1

FIBDM9722003J

Tymphony Description: DLNA- LEGO CORE MODULE G Tymphony P/N : <u>T710300014400</u>	
Model Description: WN9722AAC22-DM(AIOS4.0S)	
Arcadyan P/N :	 <u>FIBDMXXXXXXXXJ</u>
Quantity :	 <u>XXX</u> PCS
Net Weight :	X.XX KGS
Weight :	X.XX KGS
Carton No. :	 <u>JYYMMAXXXXXX</u>
Date :	<u>2015/09/15</u>
Made in China RoHS	

FIBDM9722006J

ANAM Description: LEGO MODULE WITH ANTENNA ANAM P/N : <u>CNVLEGOAIOS4000</u>	
Model Description: WN9722AAC22-DM(AIOS4.0S)	
Arcadyan P/N :	 <u>FIBDMXXXXXXXXJ</u>
Quantity :	 <u>XXX</u> PCS
Net Weight :	X.XX KGS
Weight :	X.XX KGS
Carton No. :	 <u>JYYMMAXXXXXX</u>
Date :	<u>2015/09/15</u>
Made in China RoHS	

客戶P/N,由客戶提供

參照 Product List
智易成品料號,

實際裝箱數量

成品之總重量
(不含CARTON之重量)

總重量

Carton ID
J: Fixed
YY: Year
MM: Month
AXXXX: 十進制,
From A00001 to Z99999

包裝日期

<BOM>

Item	part_no	descrip	quantity
1	146956-004	ACCLABEL 100X165MM	0.0083
2	147000081500J	CARTON WN9722A-DM	0.0083
3	147040009200J	ANGLE BOARD 50X50X5X800mm	0.0019
4	147040137600J	PARTITION WN9722A-DM	0.025
5	147050023600J	BUBBLE BAG WN9722A-DM	1
6	147070008400J	EPE FOAM WN9722A-DM	0.025
7	147150000300J	PALLET 1220X1020X120mm	0.0005
8	246200000600A	MONTHLY LABEL ON CARTON	0.0083
9	246103-002	ACCLABEL 40X10MM	1

<ECN History>

ECN No.	Change Item	Revision
201509-012J	ADD 246041-001 26X6MM x 2	R02
201509-028J	DEL 246041-001 26X6MM x 2 , Add 246103-002 40X10MM X 1	

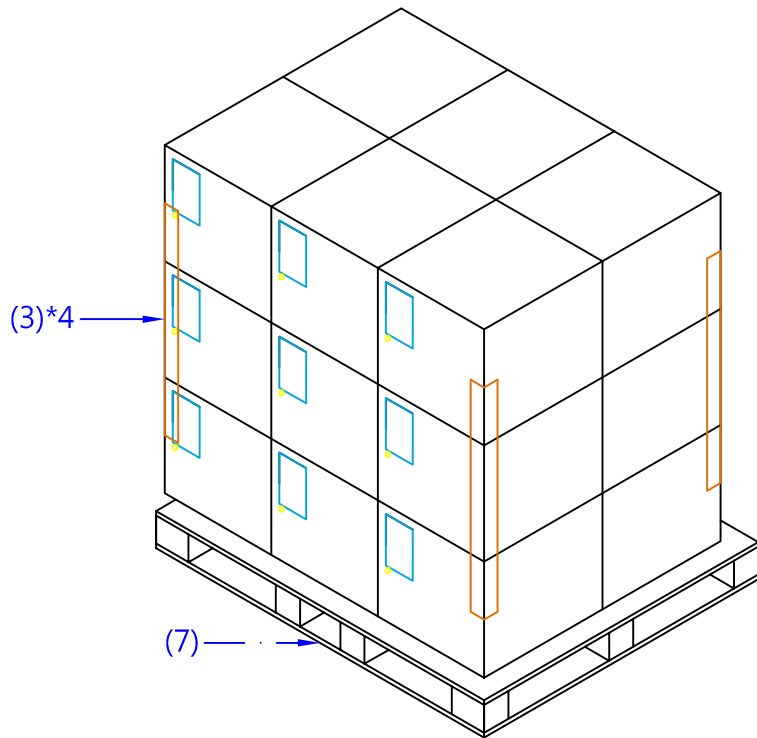
<Product List>

Model Name	Prod. P/N	Ship Kit	客戶料號
WN9722AAC22-DM (AIOS4.0S)	FIBDM9722003J	PIBDM9722003J	T710300014400
WN9722AAC22-DM(AIOS4.0S-ANAM)	FIBDM9722006J	PIBDM9722006J	CNVLEGOAIOS4000

<PALLET-Air>

1/120pcs/(2*3*3L)

(389x3)+120 = 1287MM <Max 1500MM



<PALLET-Sea>

1/120pcs/(2*3*5L)

(389x5)+120 = 2065MM <Max 2150MM

