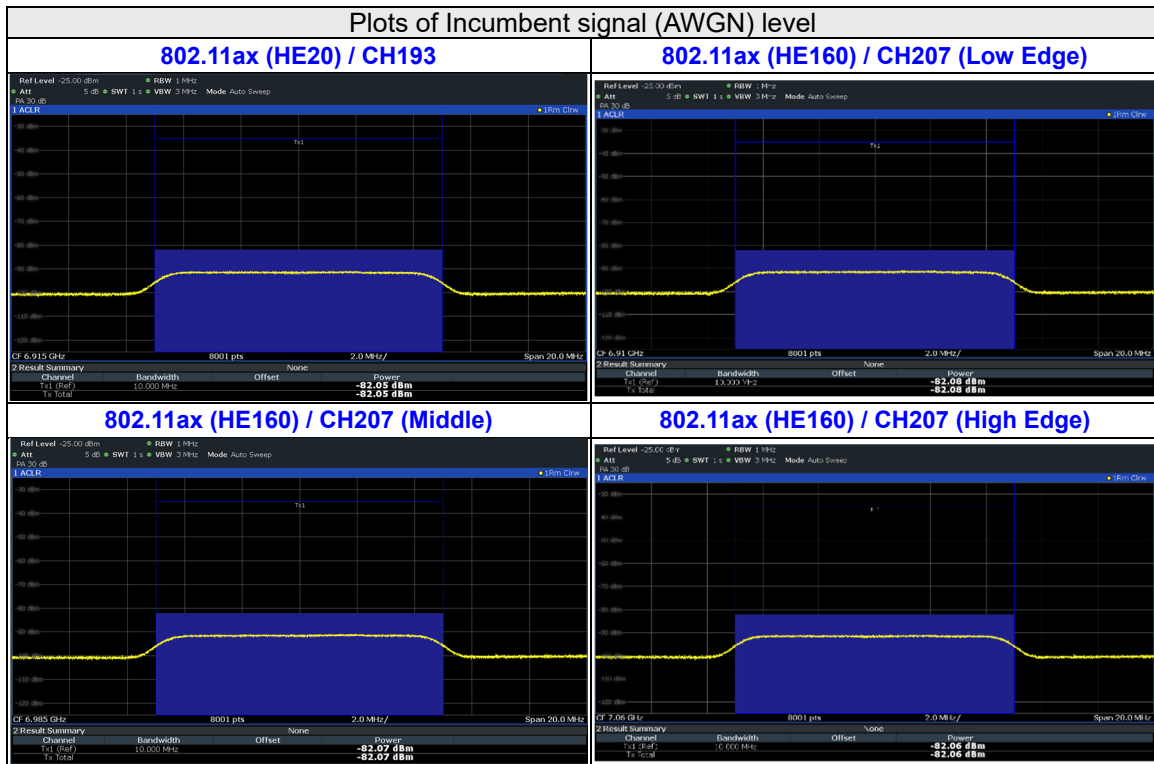
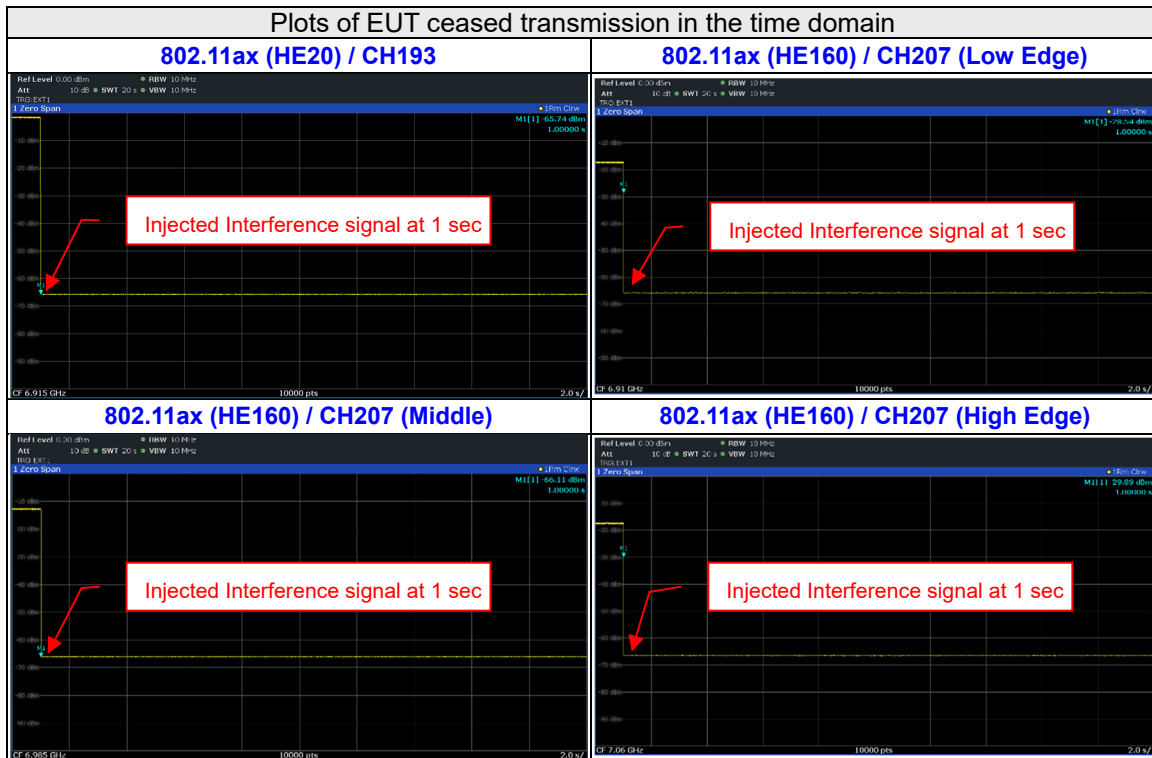


Plots of Incumbent signal (AWGN) level



Plots of EUT ceased transmission in the time domain

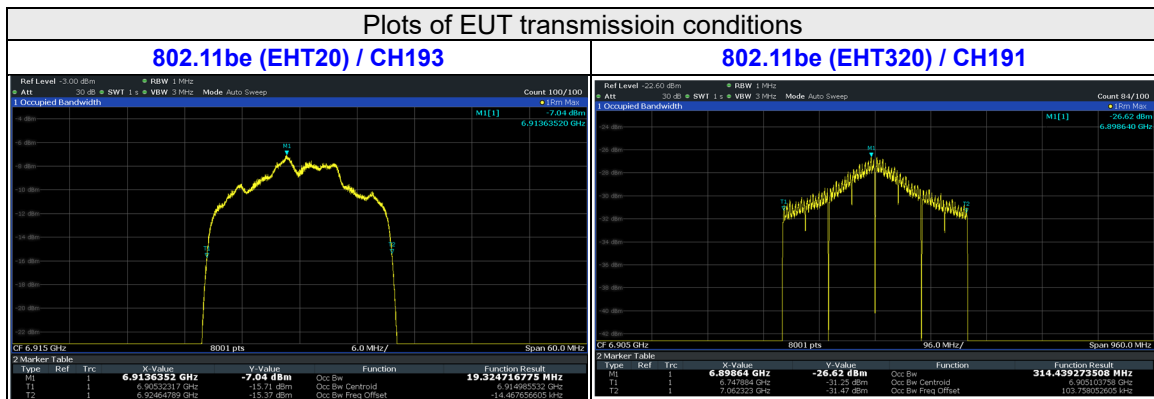


Contention Based Protocol Measurement										
Operation Mode	Channel Bandwidth (MHz)	Channel Number	Channel Freq. (MHz)	Injected Signal (AWGN)		Antenna Gain (dBi)	Path Loss (dB) (Note 2)	Adjusted Power (dBm)	Detection Limit	EUT TX Status
				Freq. (MHz)	Power (dBm)					
802.11be	20	193	6915	6915	-82.08	-4.99	0	-77.09	-62	OFF
					-82.58	-4.99	0	-77.59	-62	Minimal
					-86.99	-4.99	0	-82	-62	ON
	320	191	6905	6750	-82	-4.99	0	-77.01	-62	OFF
					-82.5	-4.99	0	-77.51	-62	Minimal
					-86.99	-4.99	0	-82	-62	ON
	7060	191	6905	6905	-73.05	-4.99	0	-68.06	-62	OFF
					-73.55	-4.99	0	-68.56	-62	Minimal
					-86.99	-4.99	0	-82	-62	ON
					-82.04	-4.99	0	-77.05	-62	OFF
					-82.54	-4.99	0	-77.55	-62	Minimal
					-86.99	-4.99	0	-82	-62	ON

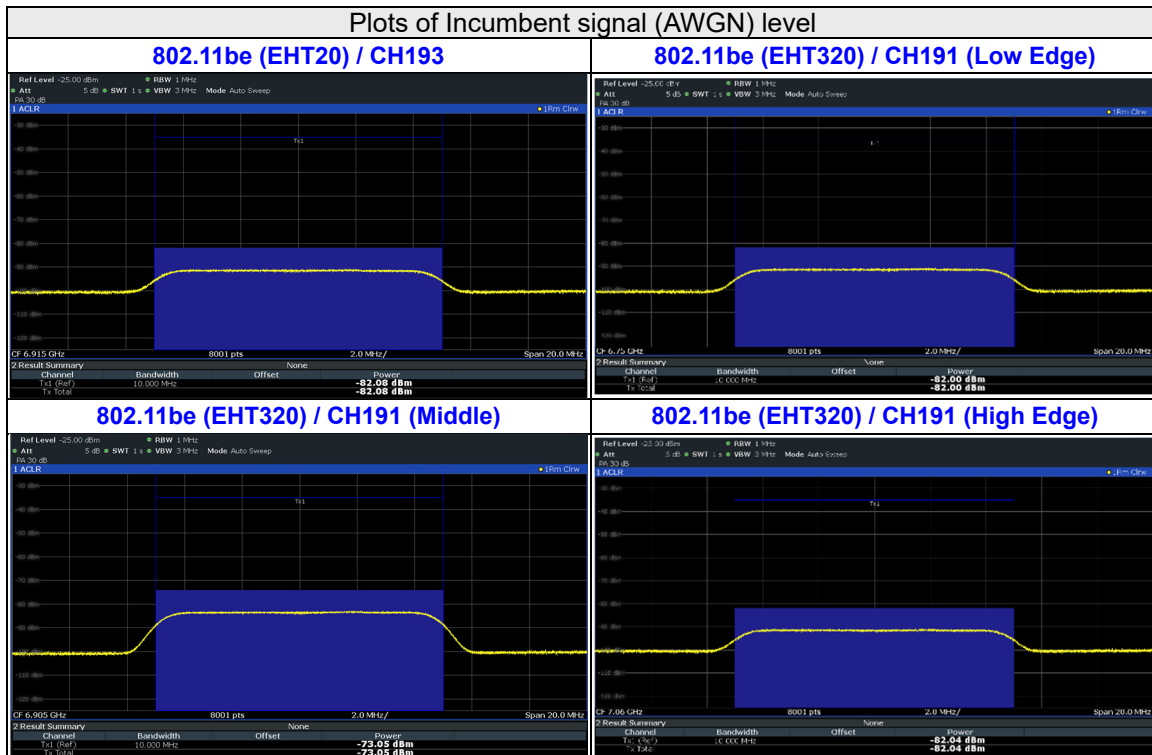
Notes:

- Adjusted Power (dBm) = Injected Signal (AWGN) Power (dBm) - Antenna Gain (dBi) + Path Loss (dB)
- Antenna gain values include all the applicable path losses.

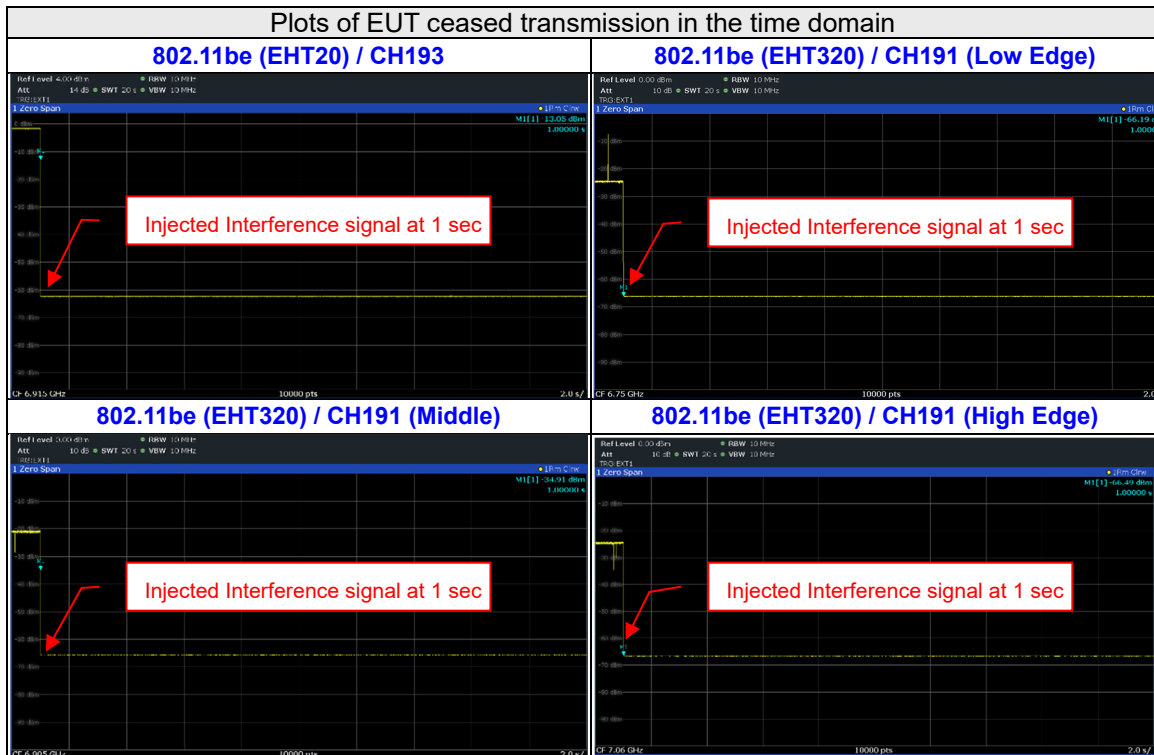
Contention Based Protocol Detection Probability															
Operation Mode	Channel Bandwidth (MHz)	AWGN Signal Freq. (MHz)	#01	#02	#03	#04	#05	#06	#07	#08	#09	#10	Detection Probability	Detection Limit	Test Result
802.11be	20	6915	v	v	v	v	v	v	v	v	v	v	100%	90%	Pass
	320	6750	v	v	v	v	v	v	v	v	v	v	100%	90%	Pass
		6905	v	v	v	v	v	v	v	v	v	v	100%	90%	Pass
		7060	v	v	v	v	v	v	v	v	v	v	100%	90%	Pass



Plots of Incumbent signal (AWGN) level



Plots of EUT ceased transmission in the time domain

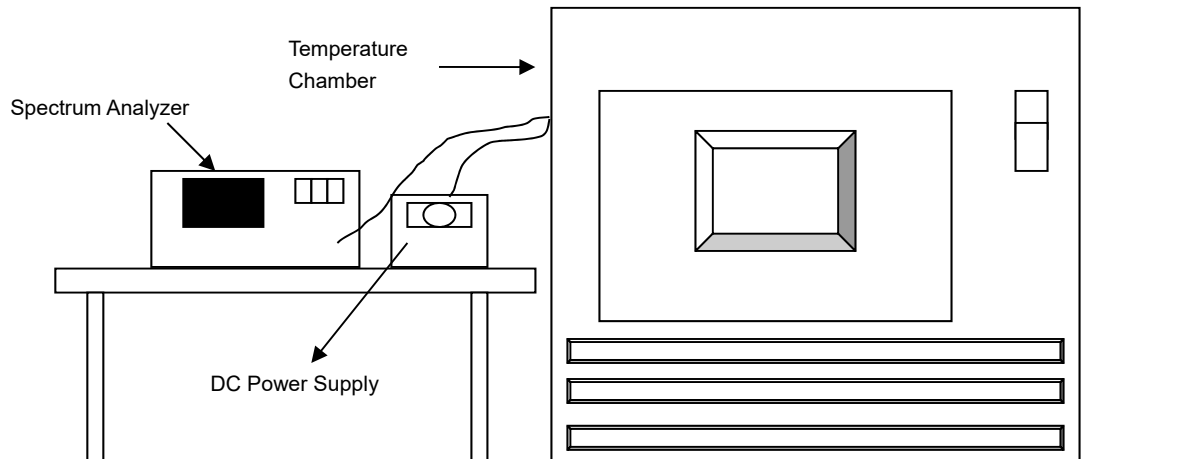


4.8 Frequency Stability Measurement

4.8.1 Limits of Frequency Stability Measurement

The frequency of the carrier signal shall be maintained within band of operation

4.8.2 Test Setup



4.8.3 Test Instruments

Refer to section 4.1.2 to get information of above instrument.

4.8.4 Test Procedure

- The EUT was placed inside the environmental test chamber and powered by nominal DC voltage.
- Turn the EUT on and couple its output to a spectrum analyzer.
- Turn the EUT off and set the chamber to the highest temperature specified.
- Allow sufficient time (approximately 30 min) for the temperature of the chamber to stabilize, turn the EUT on and measure the operating frequency after 2, 5, and 10 Minutes.
- Repeat step (d) with the temperature chamber set to the next desired temperature until measurements down to the lowest specified temperature have been completed..
- The test chamber was allowed to stabilize at +20 degree C for a minimum of 30 Minutes. The supply voltage was then adjusted on the EUT from 85% to 115% and the frequency record.

4.8.5 EUT Operating Condition

Set the EUT transmit at un-modulation mode to test frequency stability.

4.8.6 Test Results

Frequency Stability Versus Temp.									
Operating Frequency: 5955MHz									
TEMP. (°C)	Power Supply (Vdc)	0 Minute		2 Minutes		5 Minutes		10 Minutes	
		Measured Frequency (MHz)	Pass/Fail	Measured Frequency (MHz)	Pass/Fail	Measured Frequency (MHz)	Pass/Fail	Measured Frequency (MHz)	Pass/Fail
70	3.3	5955.0162	Pass	5955.0121	Pass	5955.0125	Pass	5955.0128	Pass
60	3.3	5954.988	Pass	5954.9838	Pass	5954.9889	Pass	5954.9871	Pass
50	3.3	5954.9838	Pass	5954.9861	Pass	5954.9834	Pass	5954.984	Pass
40	3.3	5955.0072	Pass	5955.0042	Pass	5955.0057	Pass	5955.0042	Pass
30	3.3	5954.972	Pass	5954.9745	Pass	5954.9744	Pass	5954.9717	Pass
20	3.3	5954.9782	Pass	5954.9766	Pass	5954.9787	Pass	5954.9757	Pass
10	3.3	5955.0046	Pass	5955.0039	Pass	5955	Pass	5955.0056	Pass
0	3.3	5954.9948	Pass	5954.9917	Pass	5954.9908	Pass	5954.9903	Pass
-10	3.3	5954.9882	Pass	5954.9839	Pass	5954.9864	Pass	5954.985	Pass
-20	3.3	5954.999	Pass	5954.9984	Pass	5954.9958	Pass	5954.996	Pass

Frequency Stability Versus Voltage									
Operating Frequency: 5955MHz									
TEMP. (°C)	Power Supply (Vdc)	0 Minute		2 Minutes		5 Minutes		10 Minutes	
		Measured Frequency (MHz)	Pass/Fail	Measured Frequency (MHz)	Pass/Fail	Measured Frequency (MHz)	Pass/Fail	Measured Frequency (MHz)	Pass/Fail
20	3.795	5954.9664	Pass	5954.967	Pass	5954.9679	Pass	5954.9667	Pass
	3.3	5954.9782	Pass	5954.9766	Pass	5954.9787	Pass	5954.9757	Pass
	2.805	5954.9667	Pass	5954.9668	Pass	5954.9666	Pass	5954.9672	Pass

4.9 Operational Restrictions for 6GHz U-NII Devices

4.9.1 Limits of Operational Restrictions for 6 GHz U-NII Devices

- (1) Operation of transmitters in the 5.925-7.125 GHz band is prohibited for control of or communications with unmanned aircraft systems.
- (2) Transmitters operating under indoor client are limited to indoor locations.
- (3) In the 5.925-7.125 GHz band, client devices must operate under the control of a indoor access point or subordinate devices; In all cases, an exception exists for transmitting brief messages to an access point when attempting to join its network after detecting a signal that confirms that an access point is operating on a particular channel. Client devices are prohibited from connecting directly to another client device.
- (4) Client devices operating in the 5.925-7.125 GHz band must employ a contention-based protocol.

4.9.2 Test Setup

N/A

4.9.3 Test Instruments

N/A

4.9.4 Test Procedure

N/A.

4.9.5 Test Results

Device is an indoor client device, all restrictions are meet the §15.407 (d) requirements. Please refer to the Attestation letter exhibit supplied within this application

5 Pictures of Test Arrangements

Please refer to the attached file (Test Setup Photo).

Appendix – Information of the Testing Laboratories

We, Bureau Veritas Consumer Products Services (H.K.) Ltd., Taoyuan Branch, were founded in 1988 to provide our best service in EMC, Radio, Telecom and Safety consultation. Our laboratories are FCC recognized accredited test firms and accredited according to ISO/IEC 17025.

If you have any comments, please feel free to contact us at the following:

Lin Kou EMC/RF Lab

Tel: 886-2-26052180

Fax: 886-2-26051924

Hsin Chu EMC/RF/Telecom Lab

Tel: 886-3-6668565

Fax: 886-3-6668323

Hwa Ya EMC/RF/Safety Lab

Tel: 886-3-3183232

Fax: 886-3-3270892

Email: service.adt@tw.bureauveritas.com

Web Site: www.bureauveritas-adt.com

The address and road map of all our labs can be found in our web site also.

--- END ---