

Antenna Information

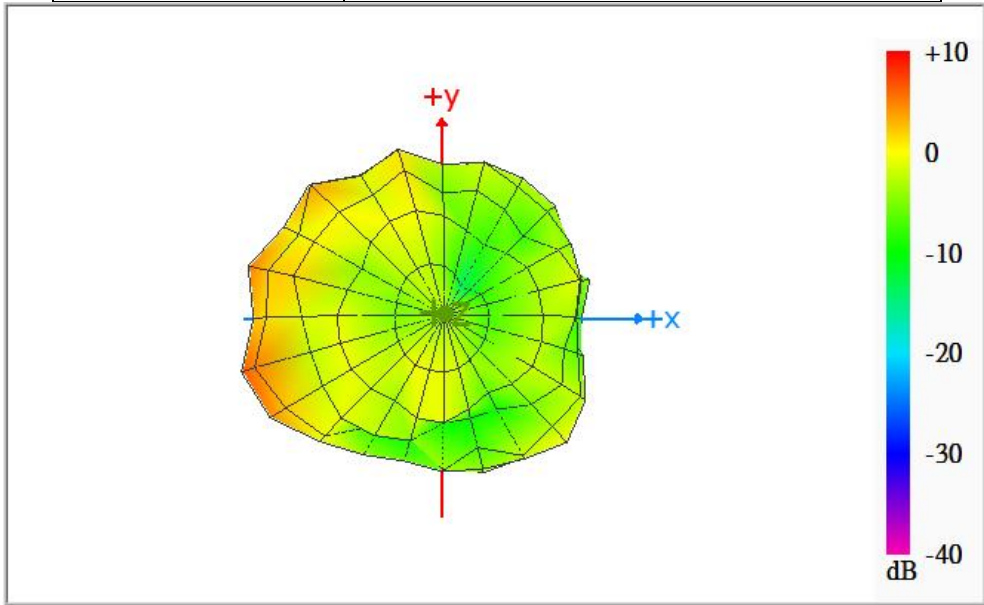
Section 1. Antenna Assembly Specifications

1A Antenna Part Number	1B Manufacturer	1C Antenna Type	1D Cable Assembly Part Number and Information	Freq Range MHz	1E * Peak Gain W/ Cable loss (dBi)	1F Peak Gain w/o Cable Loss (dBi)	1G Max VSWR	1H Cable Loss (dB)
Antenna P/N : HQ20604864000 (WA-P-LE-02-071) Main Antenna	INAPQ	PIFA	50 ohm Coaxial. length:216mm diameterr:1.13mm Connector: Caimei RF-4L13	2400-2483.5	2.49	3.09	3.00 Max	0.60
				5150-5250	3.30	4.19	3.00 Max	0.89
				5250-5350	2.71	3.6	3.00 Max	0.89
				5470-5725	2.34	3.26	3.00 Max	0.92
				5725-5850	2.51	3.44	3.00 Max	0.93
				5850-5895	2.42	3.38	3.00 Max	0.96
				5925-6425	2.78	3.76	3.00 Max	0.98
				6425-6525	1.03	2.03	3.00 Max	1.00
				6525-6875	1.54	2.56	3.00 Max	1.02
Antenna P/N : HQ20604863000 (WA-P-LE-03-003) Aux Antenna	INAPQ	PIFA	50 ohm Coaxial. length:383mm diameterr:1.13mm Connector: Caimei RF-4L13	2400-2483.5	2.45	4.06	3.00 Max	1.06
				5150-5250	2.99	4.57	3.00 Max	1.58
				5250-5350	2.84	4.42	3.00 Max	1.58
				5470-5725	2.48	4.11	3.00 Max	1.63
				5725-5850	1.80	3.91	3.00 Max	1.68
				5850-5895	2.23	4.34	3.00 Max	1.74
				5925-6425	2.34	3.7	3.00 Max	1.77
				6425-6525	1.93	4.47	3.00 Max	1.81
				6525-6875	2.66	4.74	3.00 Max	1.87
6875-7125	2.87	4.34	3.00 Max	1.74				

Main Antenna

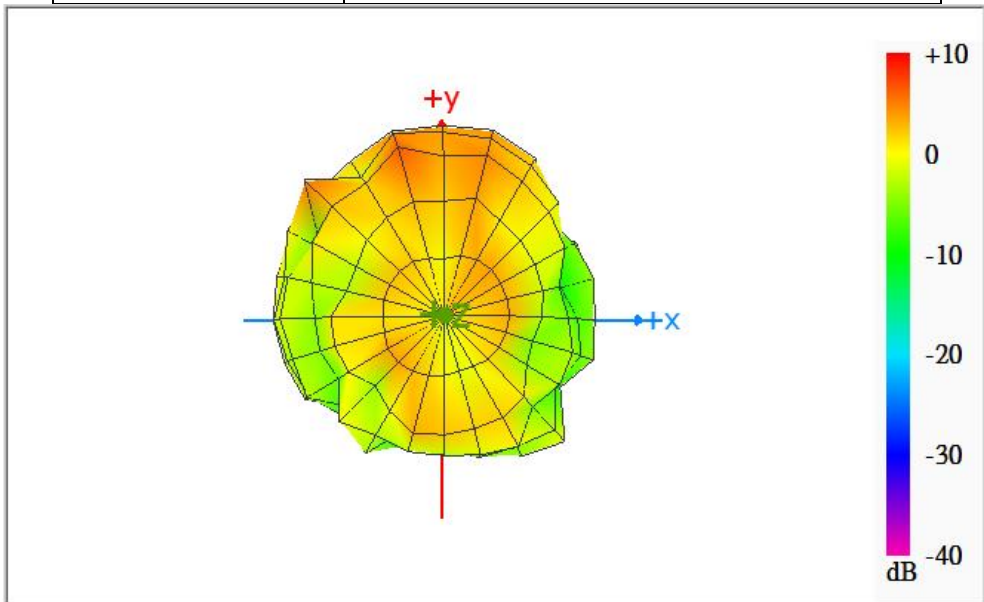
Max Antenna 3D Radiation Pattern 2400 – 2483.5 MHz

Frequency (MHz)	Peak Gain w/ Cable Loss (dBi)
2400-2483.5	2.49



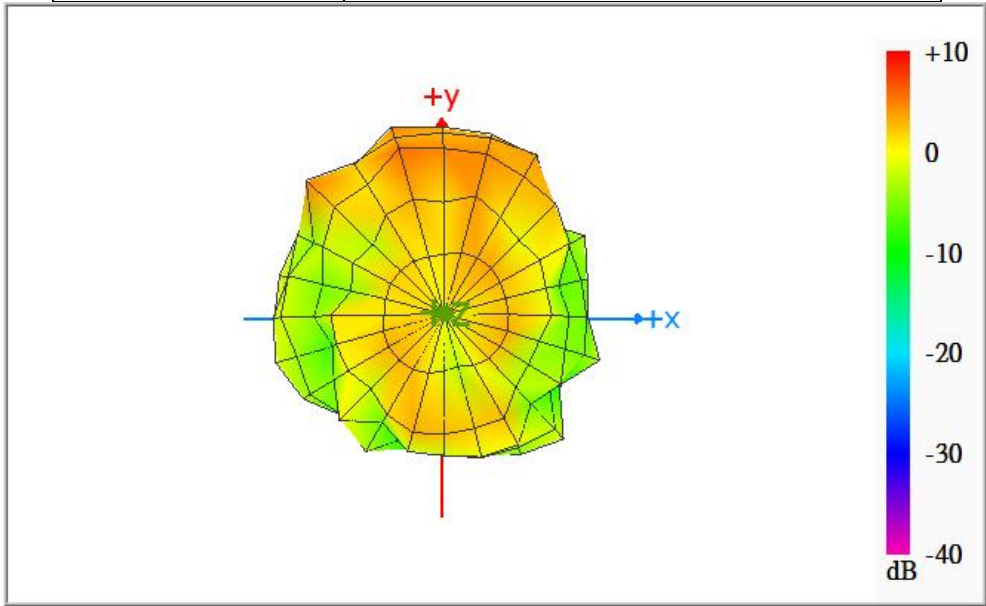
Max Antenna 3D Radiation Pattern 5150-5250 MHz

Frequency (MHz)	Peak Gain w/ Cable Loss (dBi)
5150-5250	3.30



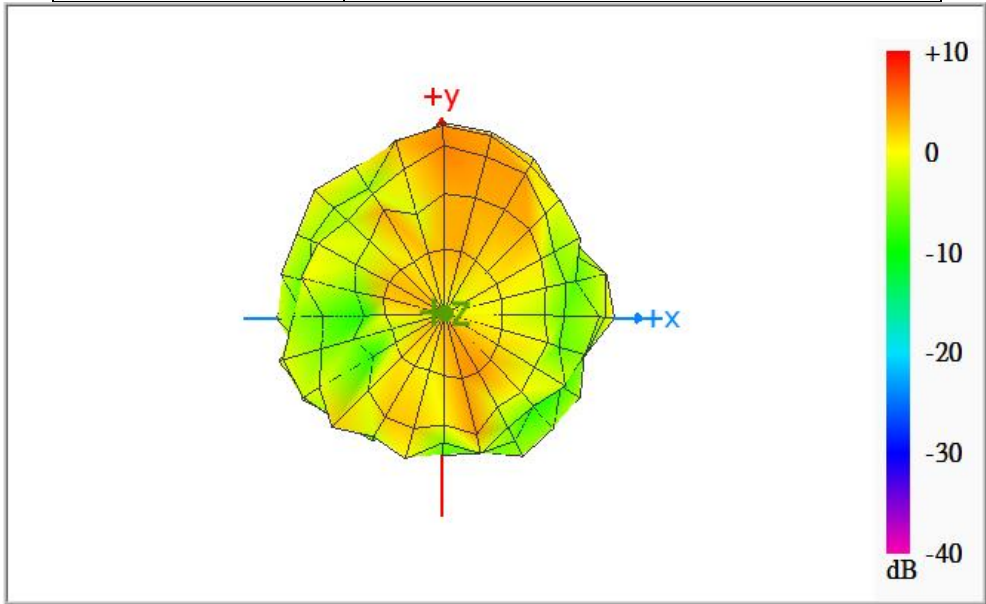
Max Antenna 3D Radiation Pattern 5250-5350 MHz

Frequency (MHz)	Peak Gain w/ Cable Loss (dBi)
5250-5350	2.71



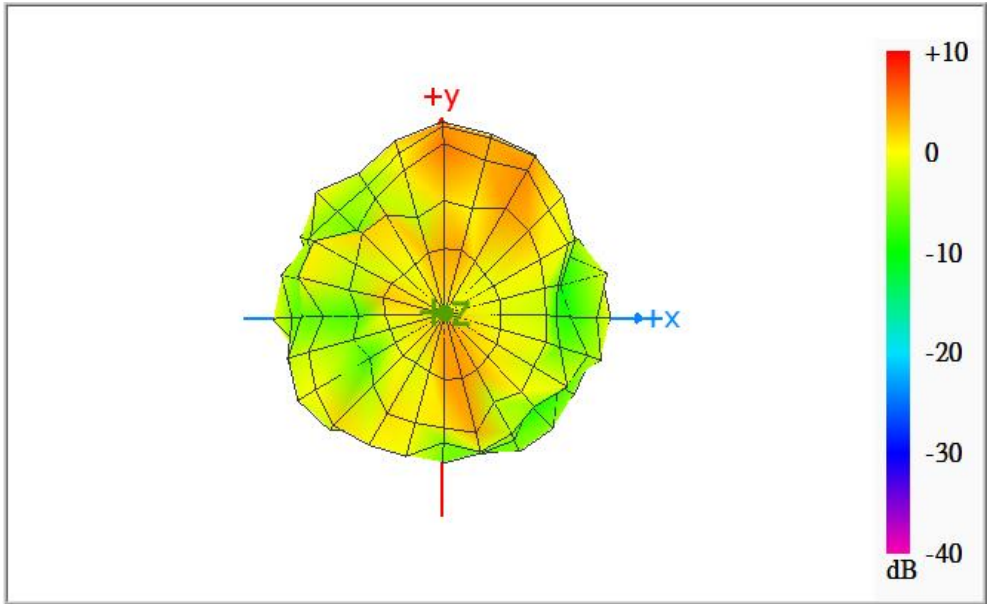
Max Antenna 3D Radiation Pattern 5470-5725 MHz

Frequency (MHz)	Peak Gain w/ Cable Loss (dBi)
5470-5725	2.34



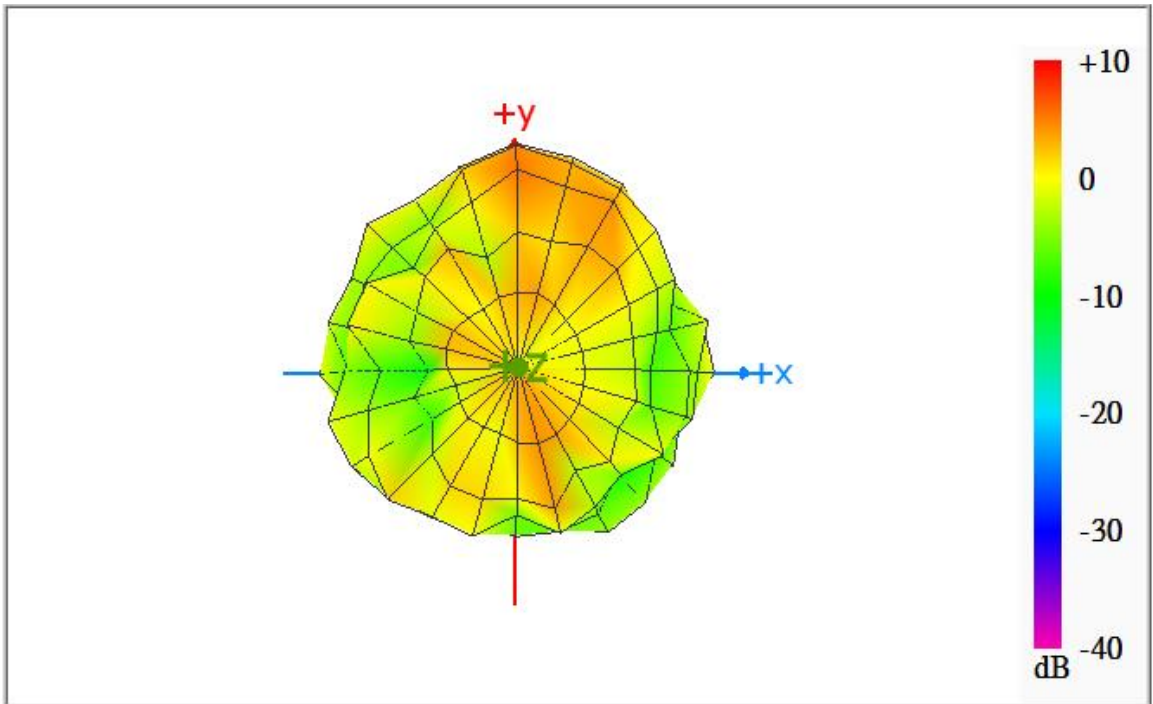
Max Antenna 3D Radiation Pattern 5725-5850 MHz

Frequency (MHz)	Peak Gain w/ Cable Loss (dBi)
5725-5850	2.51



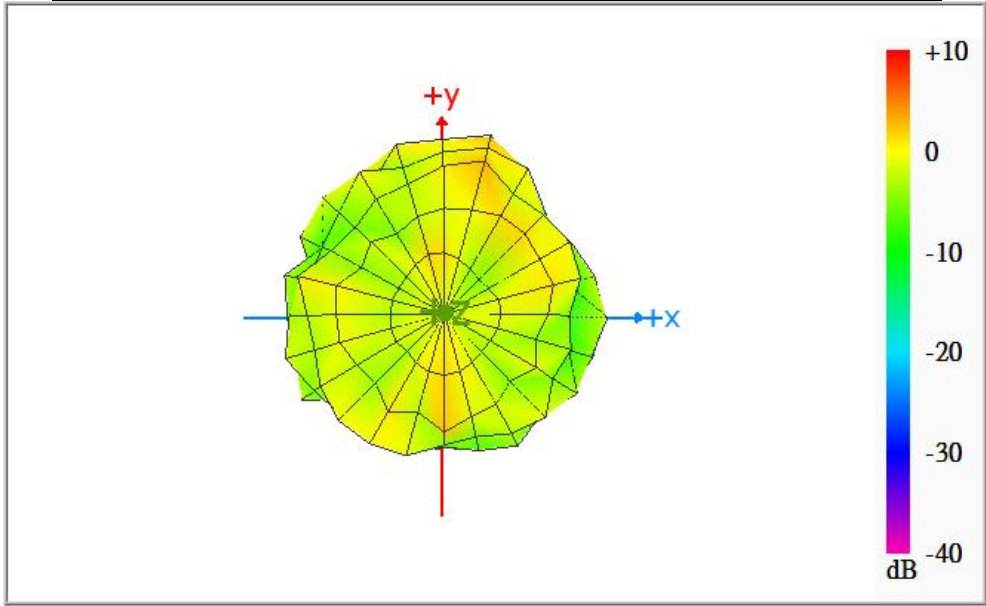
Max Antenna 3D Radiation Pattern 5850-5895 MHz

Frequency (MHz)	Peak Gain w/ Cable Loss (dBi)
5850-5895	2.42



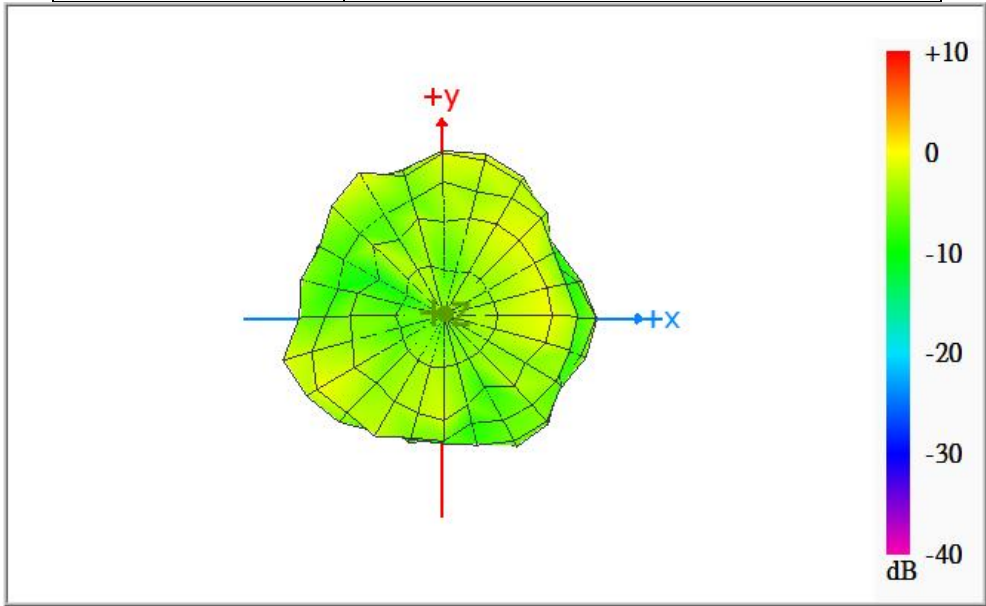
Max Antenna 3D Radiation Pattern 5925-6425 MHz

Frequency (MHz)	Peak Gain w/ Cable Loss (dBi)
5925-6425	2.78



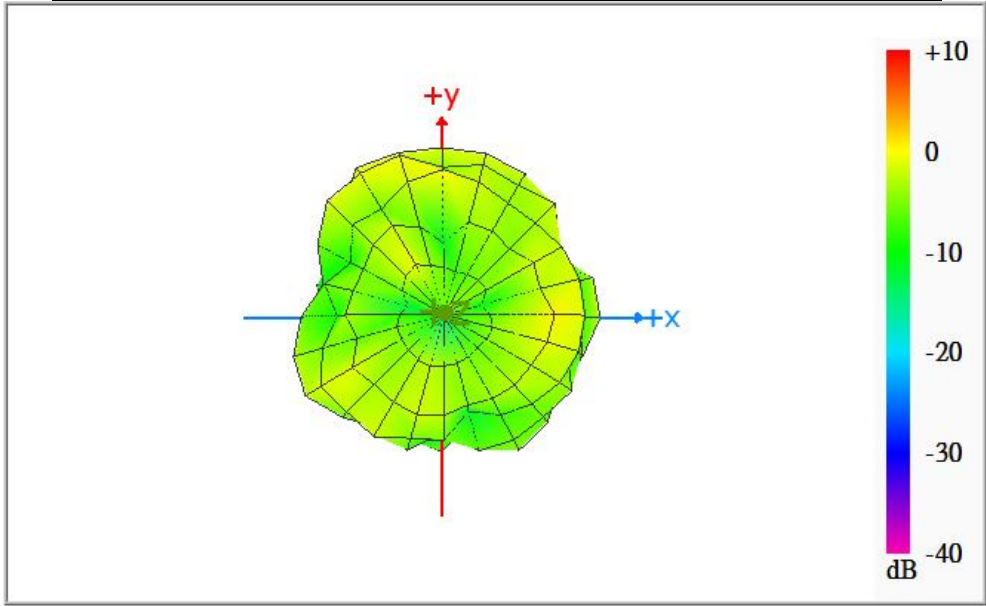
Max Antenna 3D Radiation Pattern 6425-6525 MHz

Frequency (MHz)	Peak Gain w/ Cable Loss (dBi)
6425-6525	1.03



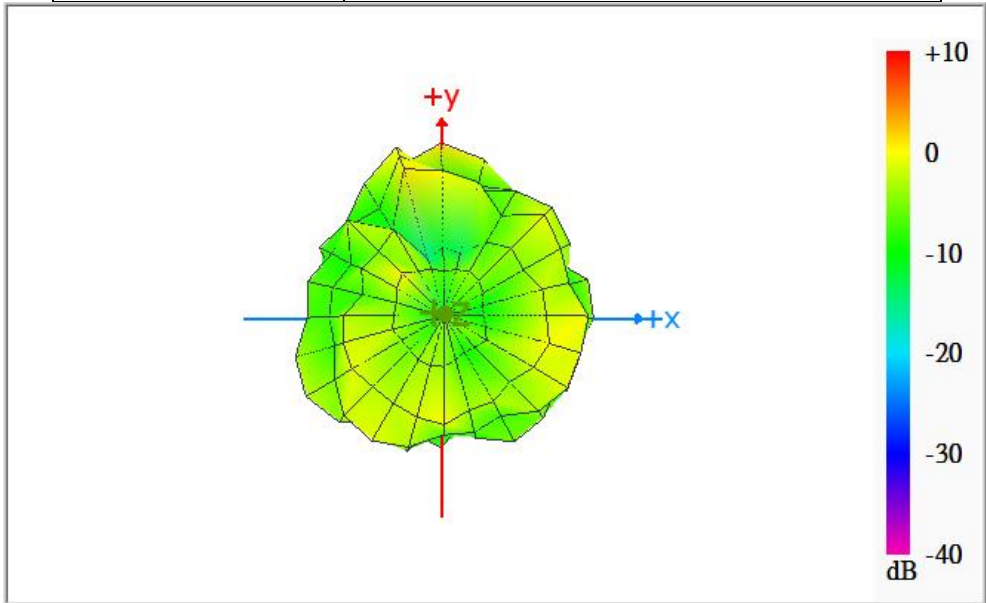
Max Antenna 3D Radiation Pattern 6525-6875 MHz

Frequency (MHz)	Peak Gain w/ Cable Loss (dBi)
6525-6875	1.54



Max Antenna 3D Radiation Pattern 6875-7125 MHz

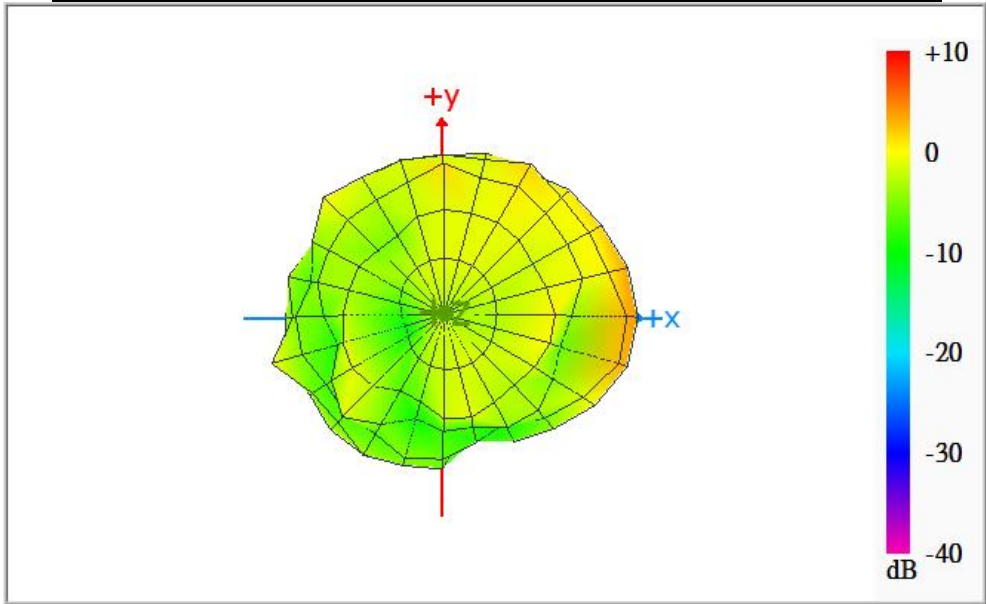
Frequency (MHz)	Peak Gain w/ Cable Loss (dBi)
6875-7125	1.28



Auxiliary Antenna

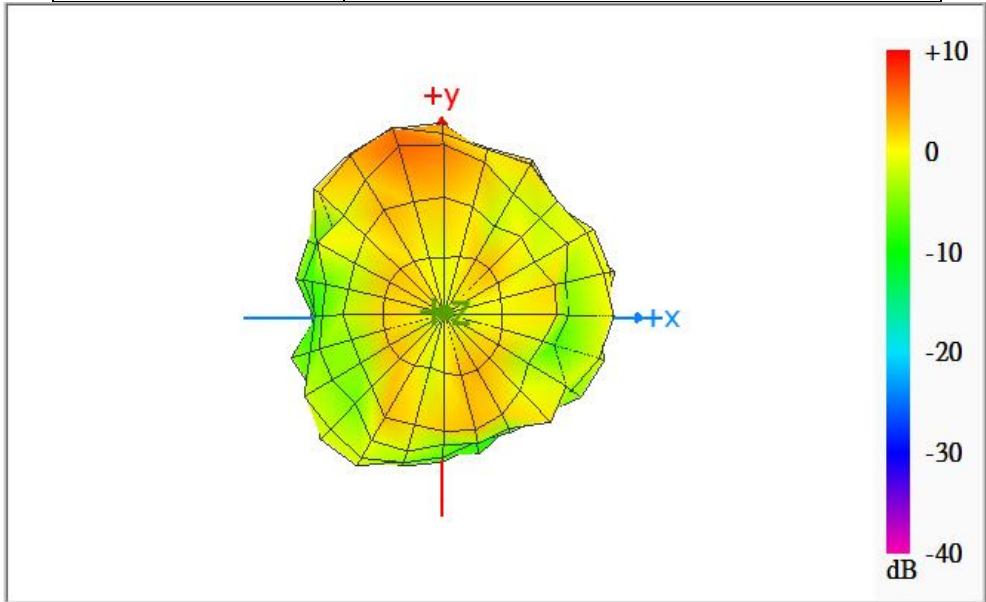
Max Antenna 3D Radiation Pattern 2400 – 2483.5 MHz

Frequency (MHz)	Peak Gain w/ Cable Loss (dBi)
2400-2483.5	2.45



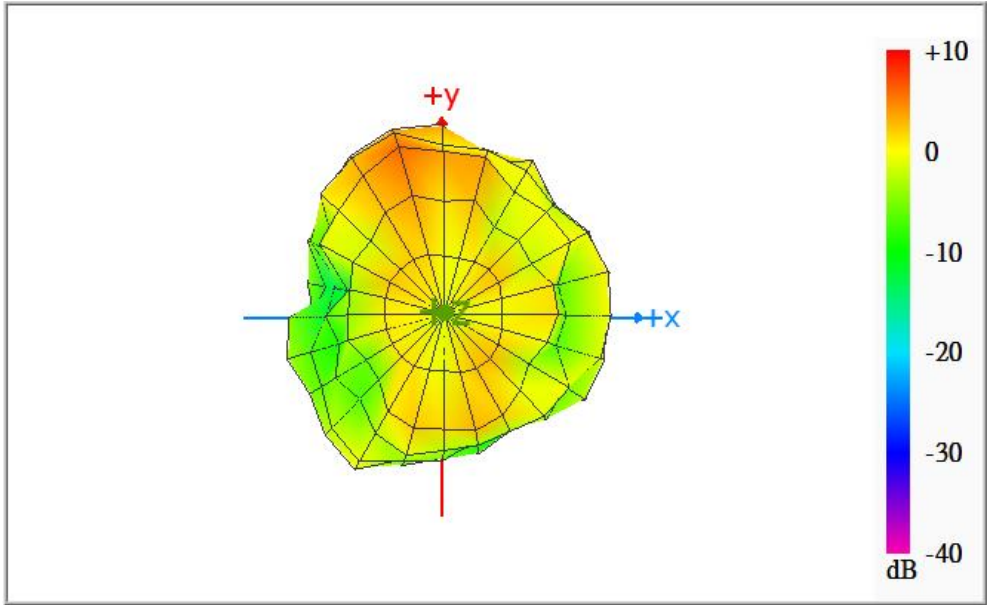
Max Antenna 3D Radiation Pattern 5150-5250 MHz

Frequency (MHz)	Peak Gain w/ Cable Loss (dBi)
5150-5250	2.99



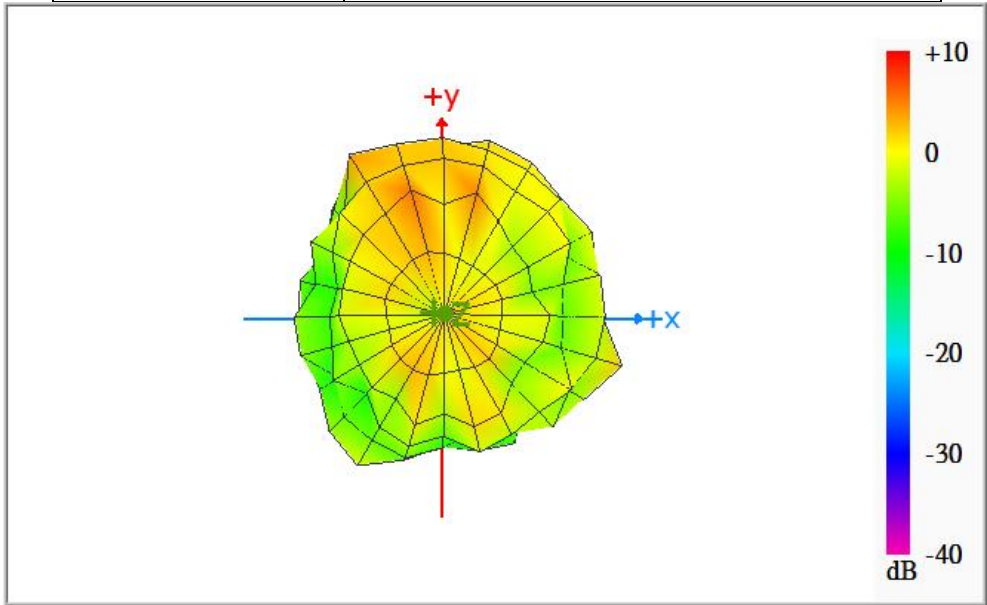
Max Antenna 3D Radiation Pattern 5250-5350 MHz

Frequency (MHz)	Peak Gain w/ Cable Loss (dBi)
5250-5350	2.84



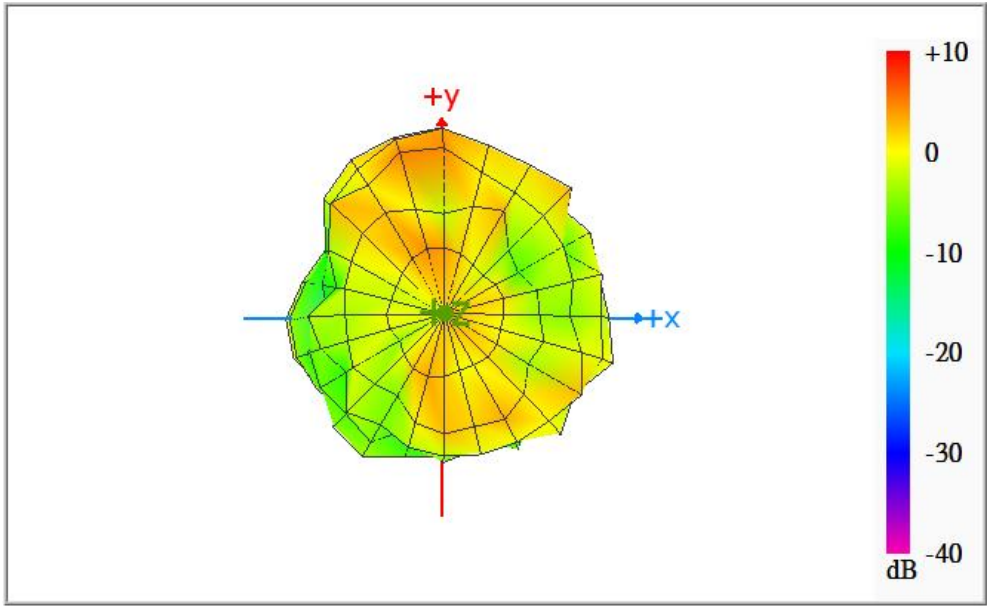
Max Antenna 3D Radiation Pattern 5470-5725 MHz

Frequency (MHz)	Peak Gain w/ Cable Loss (dBi)
5470-5725	2.48



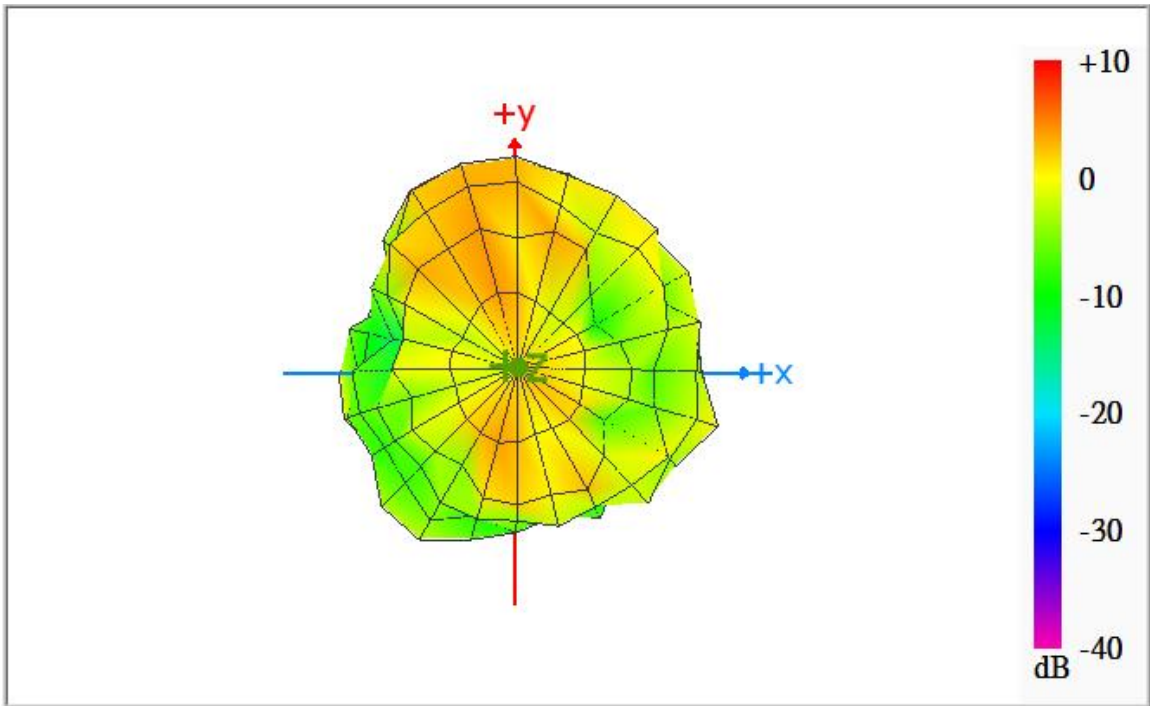
Max Antenna 3D Radiation Pattern 5725-5850 MHz

Frequency (MHz)	Peak Gain w/ Cable Loss (dBi)
5725-5850	1.80



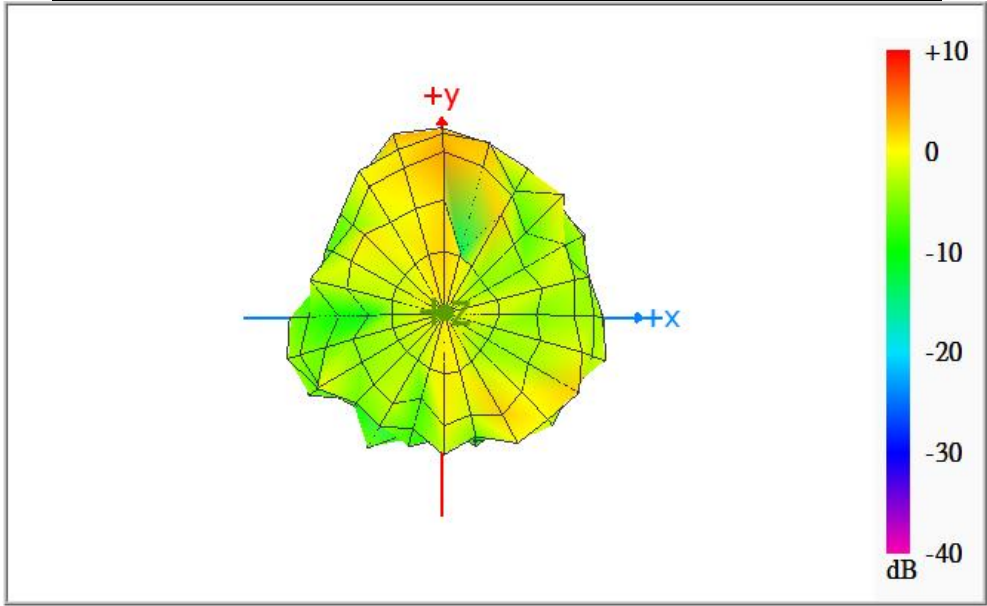
Max Antenna 3D Radiation Pattern 5850-5895 MHz

Frequency (MHz)	Peak Gain w/ Cable Loss (dBi)
5850-5895	2.23



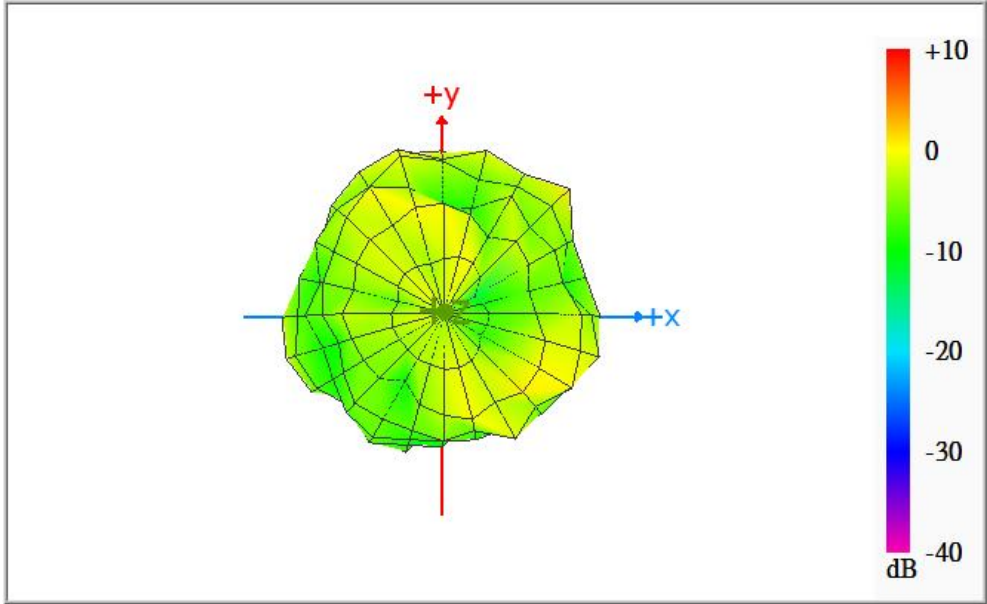
Max Antenna 3D Radiation Pattern 5925-6425 MHz

Frequency (MHz)	Peak Gain w/ Cable Loss (dBi)
5925-6425	2.34



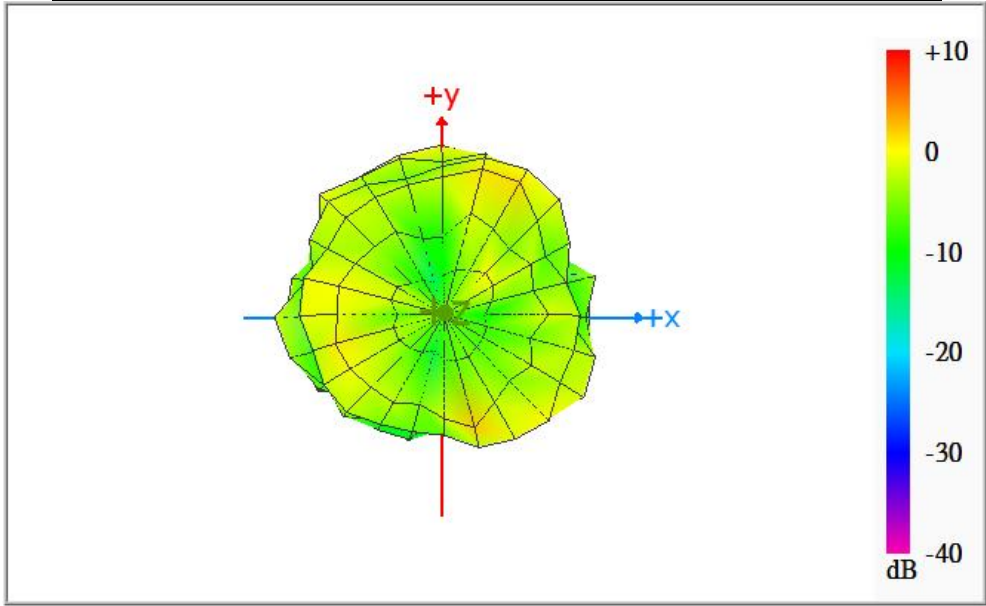
Max Antenna 3D Radiation Pattern 6425-6525 MHz

Frequency (MHz)	Peak Gain w/ Cable Loss (dBi)
6425-6525	1.93



Max Antenna 3D Radiation Pattern 6525-6875 MHz

Frequency (MHz)	Peak Gain w/ Cable Loss (dBi)
6525-6875	2.66



Max Antenna 3D Radiation Pattern 6875-7125 MHz

Frequency (MHz)	Peak Gain w/ Cable Loss (dBi)
6875-7125	2.87

