

HAC_E_Dipole_835_150304

DUT: HAC-Dipole 835 MHz

Communication System: UID 0, CW; Frequency: 835 MHz; Duty Cycle: 1:1

Medium: Air Medium parameters used: $\sigma = 0 \text{ S/m}$, $\epsilon_r = 1$; $\rho = 0 \text{ kg/m}^3$

Ambient Temperature : 23.6 °C

DASY5 Configuration:

- Probe: ER3DV6 - SN2476; ConvF(1, 1, 1); Calibrated: 2014.11.19;
- Sensor-Surface: (Fix Surface)
- Electronics: DAE4 Sn1210; Calibrated: 2014.05.19
- Phantom: HAC Test Arch with AMCC; Type: SD HAC P01 BA;
- Measurement SW: DASY52, Version 52.8 (8); SEMCAD X Version 14.6.10 (7331)

E Scan - measurement distance from the probe sensor center to CD835 = 15mm /Hearing Aid Compatibility Test at 15mm distance (41x361x1): Interpolated grid:

dx=5 mm, dy=5 mm

Device Reference Point: 0, 0, -6.3 mm

Reference Value = 104.1 V/m; Power Drift = -0.01 dB

PMR not calibrated. PMF = 1.000 is applied.

E-field emissions = 107.1 V/m

Average value of Total=(107.1+106.5)/2=106.8 V/m

PMF scaled E-field

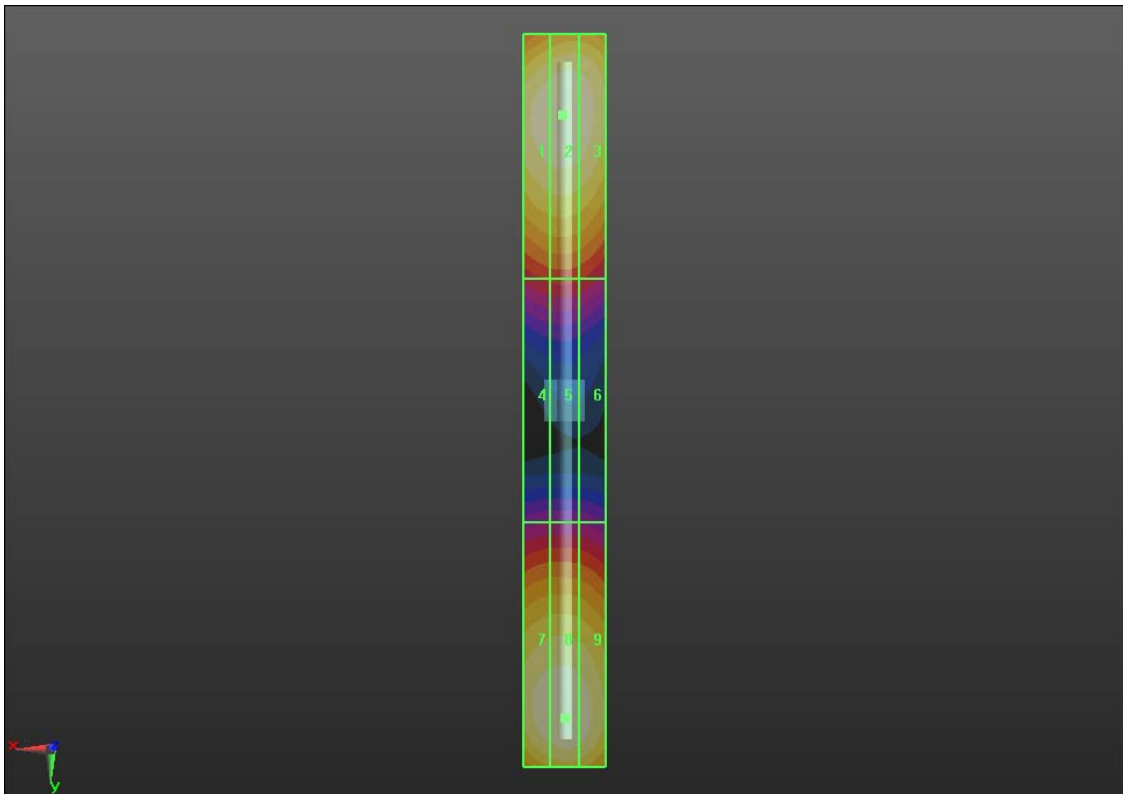
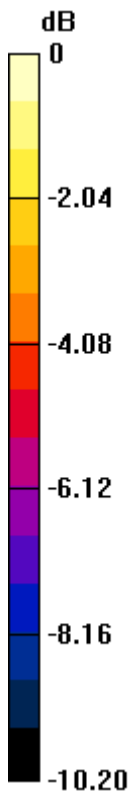
Grid 1 M4 105.8 V/m	Grid 2 M4 107.1 V/m	Grid 3 M4 105.3 V/m
Grid 4 M4 63.46 V/m	Grid 5 M4 64.16 V/m	Grid 6 M4 62.81 V/m
Grid 7 M4 105.1 V/m	Grid 8 M4 106.5 V/m	Grid 9 M4 104.6 V/m

Cursor:

Total = 107.1 V/m

E Category: M4

Location: 0.5, -70, 9.7 mm



0 dB = 107.1 V/m = 40.60 dBV/m

HAC_E_Dipole_835_150417

DUT: HAC Dipole 835 MHz

Communication System: UID 10021 - DAA, CW; Frequency: 835 MHz; Duty Cycle: 1:1

Medium: Air Medium parameters used: $\sigma = 0 \text{ S/m}$, $\epsilon_r = 1$; $\rho = 0 \text{ kg/m}^3$

Ambient Temperature : 23.6 °C

DASY5 Configuration:

- Probe: ER3DV6 - SN2476; ConvF(1, 1, 1); Calibrated: 2014.11.19;
- Sensor-Surface: (Fix Surface)
- Electronics: DAE4 Sn1210; Calibrated: 2014.05.19
- Phantom: HAC Test Arch with AMCC; Type: SD HAC P01 BA;
- Measurement SW: DASY52, Version 52.8 (8); SEMCAD X Version 14.6.10 (7331)

E Scan - measurement distance from the probe sensor center to CD835 = 15mm/Hearing Aid Compatibility Test at 15mm distance (41x361x1): Interpolated grid:

$dx=0.5000 \text{ mm}$, $dy=0.5000 \text{ mm}$

Device Reference Point: 0, 0, -6.3 mm

Reference Value = 108.4 V/m; Power Drift = 0.00 dB

PMR not calibrated. PMF = 1.000 is applied.

E-field emissions = 114.7 V/m

Average value of Total=(103.2+114.7)/2=108.95 V/m

PMF scaled E-field

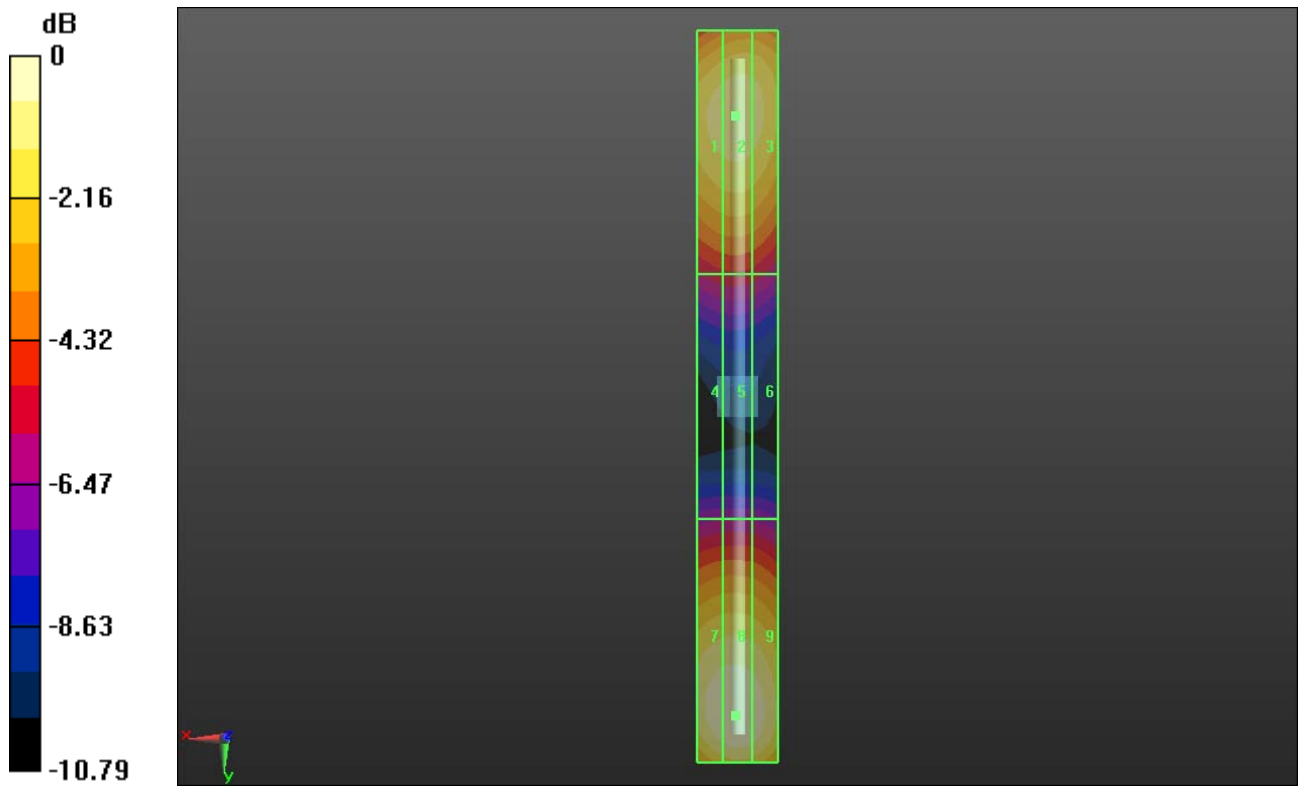
Grid 1 M4 102.0 V/m	Grid 2 M4 103.2 V/m	Grid 3 M4 101.6 V/m
Grid 4 M4 62.85 V/m	Grid 5 M4 63.45 V/m	Grid 6 M4 62.10 V/m
Grid 7 M4 113.0 V/m	Grid 8 M4 114.7 V/m	Grid 9 M4 112.0 V/m

Cursor:

Total = 114.7 V/m

E Category: M4

Location: 0.5, 78.5, 9.7 mm



0 dB = 114.7 V/m = 41.19 dBV/m

HAC_E_Dipole_1880_150304

DUT: HAC Dipole 1880 MHz

Communication System: UID 0, CW; Frequency: 1880 MHz; Duty Cycle: 1:1

Medium: Air Medium parameters used: $\sigma = 0 \text{ S/m}$, $\epsilon_r = 1$; $\rho = 0 \text{ kg/m}^3$

Ambient Temperature : 23.6 °C

DASY5 Configuration:

- Probe: ER3DV6 - SN2476; ConvF(1, 1, 1); Calibrated: 2014.11.19;
- Sensor-Surface: (Fix Surface)
- Electronics: DAE4 Sn1210; Calibrated: 2014.05.19
- Phantom: HAC Test Arch with AMCC; Type: SD HAC P01 BA;
- Measurement SW: DASY52, Version 52.8 (8); SEMCAD X Version 14.6.10 (7331)

E Scan - measurement distance from the probe sensor center to CD1880 = 15mm /Hearing Aid Compatibility Test at 15mm distance (41x181x1): Interpolated grid:

dx=5 mm, dy=5 mm

Device Reference Point: 0, 0, -6.3 mm

Reference Value = 143.6 V/m; Power Drift = -0.00 dB

PMR not calibrated. PMF = 1.000 is applied.

E-field emissions = 88.58 V/m

Average value of Total=(88.58+83.64)/2=86.11 V/m

PMF scaled E-field

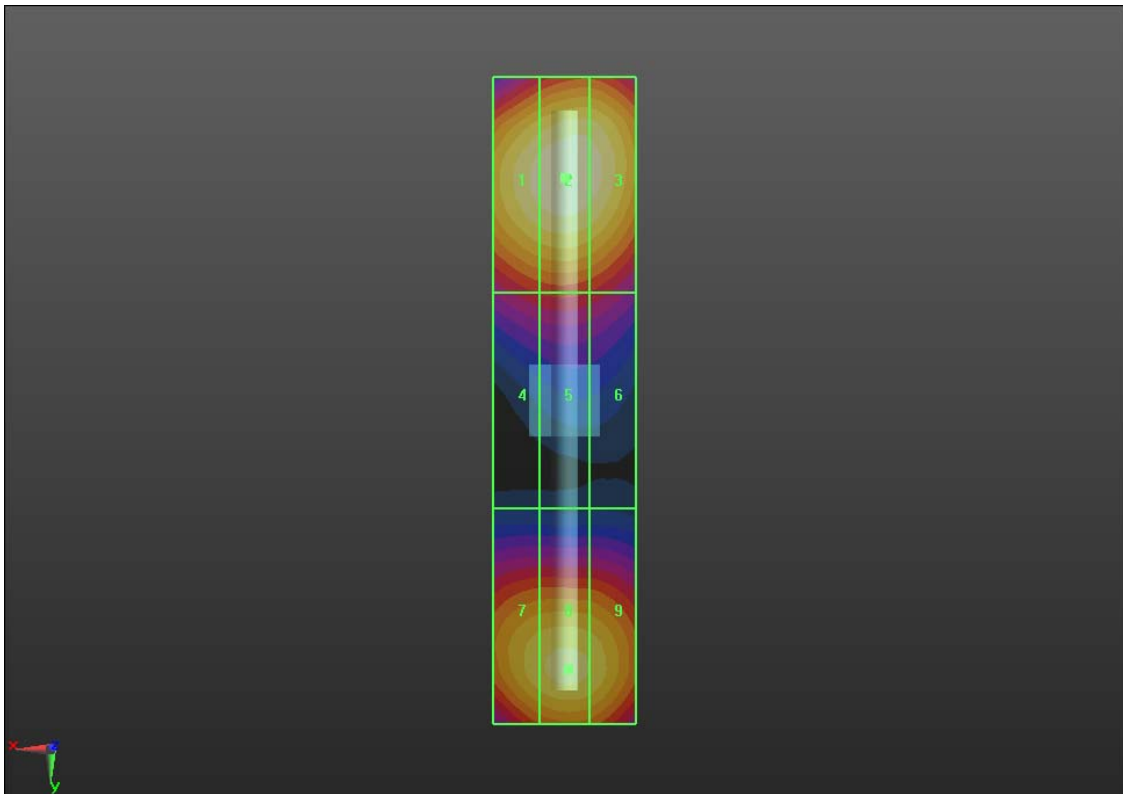
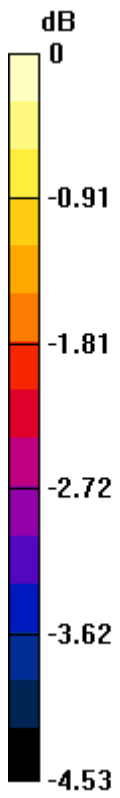
Grid 1 M3 86.84 V/m	Grid 2 M3 88.58 V/m	Grid 3 M3 87.44 V/m
Grid 4 M3 69.70 V/m	Grid 5 M3 70.48 V/m	Grid 6 M3 69.33 V/m
Grid 7 M3 82.11 V/m	Grid 8 M3 83.64 V/m	Grid 9 M3 82.60 V/m

Cursor:

Total = 88.58 V/m

E Category: M3

Location: 0, -31, 9.7 mm



0 dB = 88.58 V/m = 38.95 dBV/m

HAC_E_Dipole_1880_150417

DUT: HAC Dipole 1880 MHz

Communication System: UID 10021 - DAA, CW; Frequency: 1880 MHz; Duty Cycle: 1:1

Medium: Air Medium parameters used: $\sigma = 0 \text{ S/m}$, $\epsilon_r = 1$; $\rho = 0 \text{ kg/m}^3$

Ambient Temperature : 23.6 °C

DASY5 Configuration:

- Probe: ER3DV6 - SN2476; ConvF(1, 1, 1); Calibrated: 2014.11.19;
- Sensor-Surface: (Fix Surface)
- Electronics: DAE4 Sn1210; Calibrated: 2014.05.19
- Phantom: HAC Test Arch with AMCC; Type: SD HAC P01 BA;
- Measurement SW: DASY52, Version 52.8 (8); SEMCAD X Version 14.6.10 (7331)

E Scan - measurement distance from the probe sensor center to CD1880 = 15mm/Hearing Aid Compatibility Test at 15mm distance (41x181x1): Interpolated grid:

dx=0.5000 mm, dy=0.5000 mm

Device Reference Point: 0, 0, -6.3 mm

Reference Value = 143.4 V/m; Power Drift = -0.02 dB

PMR not calibrated. PMF = 1.000 is applied.

E-field emissions = 88.24 V/m

Average value of Total=(88.24+83.38)/2=85.81 V/m

PMF scaled E-field

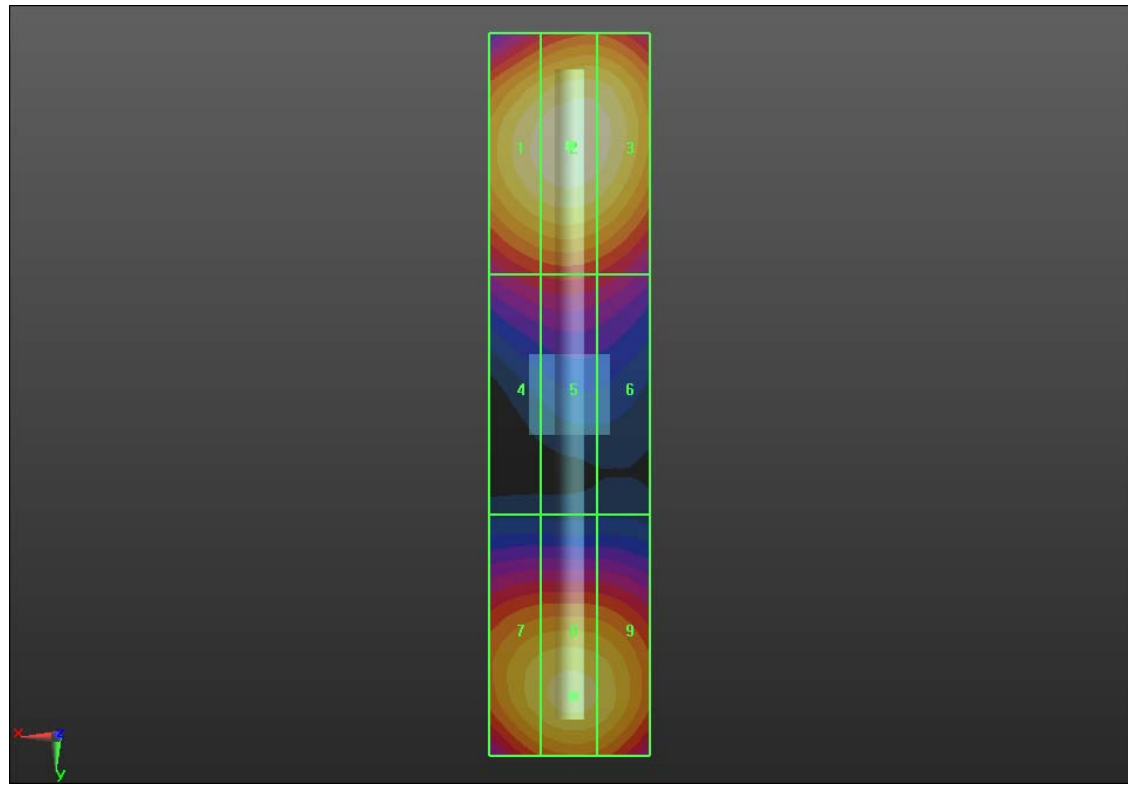
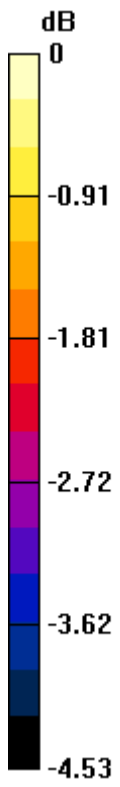
Grid 1 M3 86.56 V/m	Grid 2 M3 88.24 V/m	Grid 3 M3 87.03 V/m
Grid 4 M3 69.55 V/m	Grid 5 M3 70.29 V/m	Grid 6 M3 69.11 V/m
Grid 7 M3 81.80 V/m	Grid 8 M3 83.38 V/m	Grid 9 M3 82.30 V/m

Cursor:

Total = 88.24 V/m

E Category: M3

Location: 0, -31, 9.7 mm



0 dB = 88.24 V/m = 38.91 dBV/m