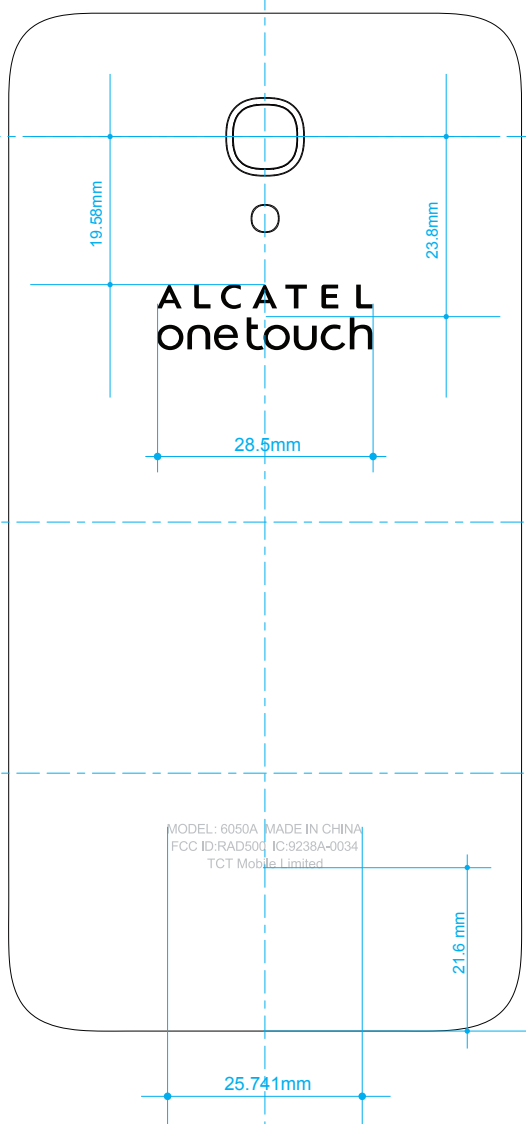


All rights reserved. Passing on and copying of this document, use and communication of its contents not permitted without written authorization



SCALE: 1:1

VERTICAL AXE OF MAIN LENS



**onetouch**

“onetouch” logo  
Light Chrome  
Metal inserted

**ALCATEL**

“ALCATEL” logo:  
pantone 8001C  
(Printed on 1st surface)

MODEL: 6050A MADE IN CHINA  
FCC ID: RAD500 IC: 9238A-0034  
TCT Mobile Limited

Legal Certification Marking:  
Clear Ink  
(Printed on 1st surface)

MAT		FIN		GEN TOL			
-----	--	-----	--	---------	--	--	--

ED	DATE	01	14.04.21	02	14.05.12		
CHANGE NOTE		Create		Update			
APPRA. AUTHO.							
ORIGINATOR							

F	ALCATEL BUSINESS SYSTEMS	EOS 4G_Battery Cover_for Bell		F
---	--------------------------	-------------------------------	--	---

			1/1
--	--	--	-----

1AA 00014 0007 (9007) A4