

Appendix D. Test Setup Photos



Bottom Face of Tablet with Phantom 0 cm Gap



Edge 2 with Phantom 0 cm Gap



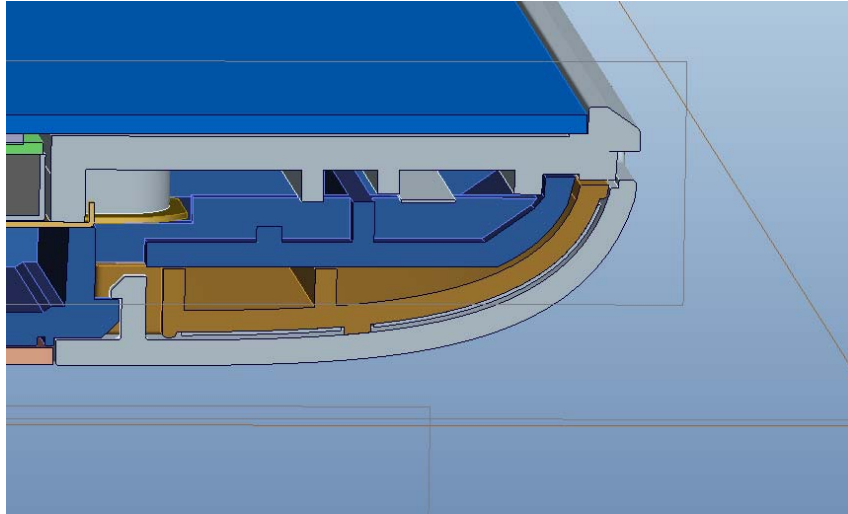
Edge 3 with Phantom 0 cm Gap



Curved surface of Edge3 with Phantom 0 cm Gap



Edge 4 with Phantom 0 cm Gap



The additional separation between the device exterior and the phantom surface introduced by the contour is < 5 mm.