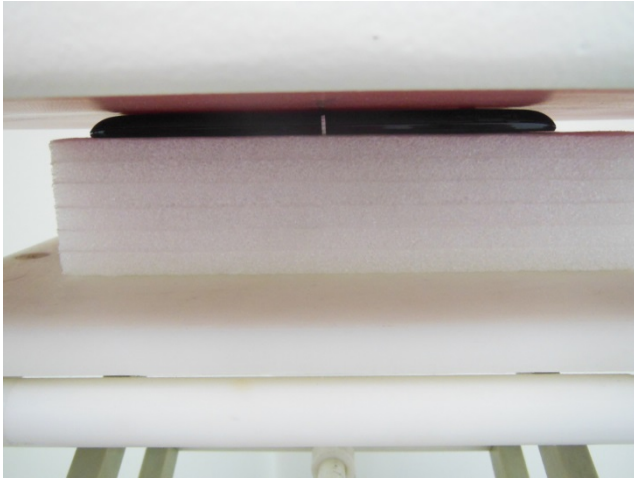


## Appendix D. Test Setup Photos



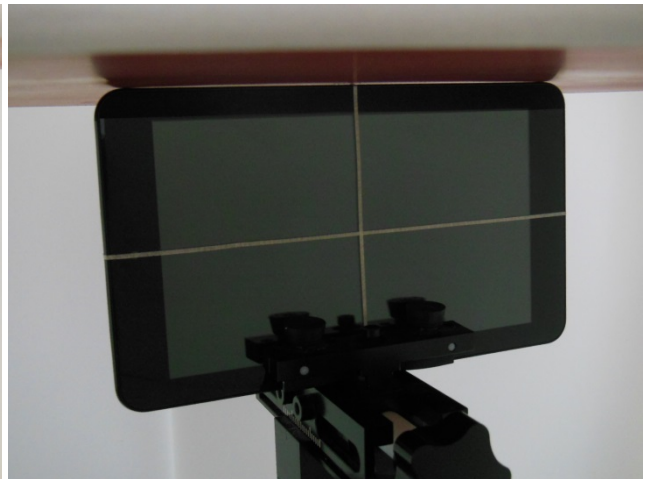
Bottom Face of Tablet with Phantom 0 cm Gap



Bottom Face of Tablet with Phantom 1 cm Gap



Edge 1 with Phantom 0 cm Gap



Edge 2 with Phantom 0 cm Gap



Edge 3 with Phantom 0 cm Gap



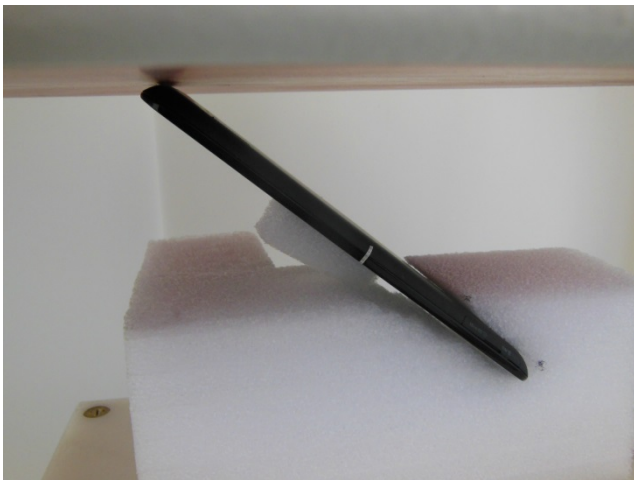
Edge 3 with Phantom 0.8 cm Gap



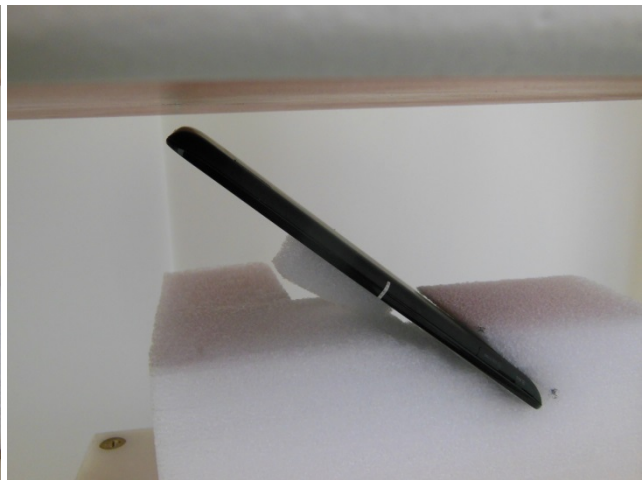
Edge 4 with Phantom 0 cm Gap



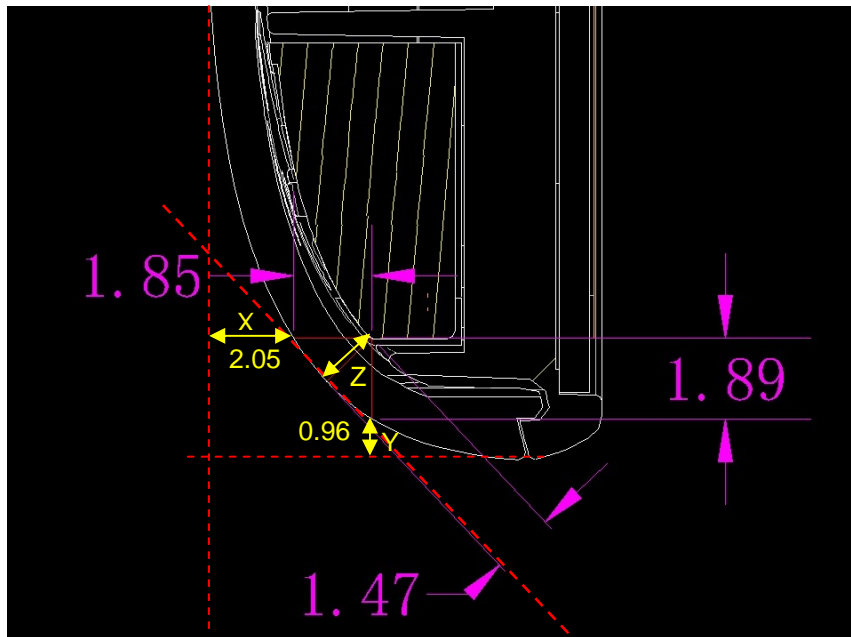
Curved surface of Edge1 with Phantom 0 cm Gap



Curved surface of Edge3 with Phantom 0 cm Gap



Curved surface of Edge3 with Phantom 1 cm Gap



X=2.05mm, Y=0.96mm, Z=1.47mm

The additional separation between the device exterior and the phantom surface introduced by the contour is < 5 mm.