

SAR TEST REPORT

Equipment Under Test :	GSM 850/1900 mobile phone
Model No. :	U71A
Market name:	OT-E101A
FCC ID :	RAD056
Applicant :	T&A Mobile Phones
Address of Applicant :	3/F,B2 Block, Digital Technology Yard, Gaoxin Nan Qi Road,Nan Shan District, Shenzhen, Guangdong, P.R. China
Date of Receipt :	2007.04.18
Date of Test :	2007.04.27 ~2007.05.11
Date of Issue :	2007.05.22

Standards:

**FCC OET Bulletin 65 supplement C,
ANSI/IEEE C95.1, C95.3, IEEE 1528-2003**

In the configuration tested, the EUT complied with the standards specified above.

Remarks:

This report details the results of the testing carried out on one sample, the results contained in this test report do not relate to other samples of the same product. The manufacturer should ensure that all products in series production are in conformity with the product sample detailed in this report.

This report may only be reproduced and distributed in full. If the product in this report is used in any configuration other than that detailed in the report, the manufacturer must ensure the new system complies with all relevant standards. Any mention of SGS-CSTC Shanghai GSM Lab or testing done by SGS-CSTC Shanghai GSM Lab must approve SGS Shanghai GSM Lab in connection with distribution or use of the product described in this report in writing.

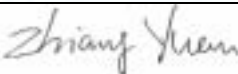
Tested by :



Date :

2007.05.22

Approved by :



Date :

2007.05.22

Contents

1. General Information	6
1.1 Test Laboratory	6
1.2 Details of Applicant.....	6
1.3 Description of EUT(s)	6
1.4 Test Environment	7
1.5 Operation Configuration.....	7
1.6 The SAR Measurement System	7
1.7 SAR System Verification	9
1.8 Tissue Simulant Fluid for the Frequency Band 850MHZ and 1900MHZ.....	10
1.9 Test Standards and Limits.....	11
2. Summary of Results.....	12
3. Instruments List	15
4. Measurements	16
4.1 For BYD Battery	16
4.1.1 GSM850-LeftHandSide-Cheek-Middle	16
GSM850-LeftHandSide-Cheek-Middle(BYD).....	16
4.1.2 GSM850-LeftHandSide-Tilt-Middle.....	17
GSM850-LeftHandSide-Tilt-Middle(BYD)	17
4.1.3 GSM850-LeftHandSide-WorstCase-Low.....	19
GSM850-LeftHandSide-Cheek-Low(BYD).....	19
4.1.4 GSM850-LeftHandSide-WorstCase-High.....	21
GSM850-LeftHandSide-Cheek-High(BYD)	21
4.1.5 GSM850-RightHandSide-Cheek-Middle.....	23
GSM850-RightHandSide-Cheek-Middle(BYD)	23
4.1.6 GSM850-RightHandSide-Tilt-Middle	25
GSM850-RightHandSide-Tilt-Middle(BYD).....	25
4.1.7 GSM850-RightHandSide-WorstCase-Low	27
GSM850-RightHandSide-Cheek-Low(BYD).....	27
4.1.8 GSM850-RightHandSide-WorstCase-High	29
GSM850-RightHandSide-Cheek-High(BYD).....	29
4.1.9 GSM850-Body-Worn -Low	31
GSM850-Body-Worn-Low-2.0cm(BYD).....	31
4.1.10 GSM850-Body-Worn -Middle	33

GSM850-Body-Worn-Middle-2.0cm(BYD).....	33
4.1.11 GSM850-Body-Worn -High.....	35
GSM850-Body-Worn-High-2.0cm(BYD)	35
4.1.12 PCS1900-LeftHandSide-Cheek-Middle	37
PCS1900-LeftHandSide-Cheek-Middle(BYD)	37
4.1.13 PCS1900-LeftHandSide-Tilt-Middle.....	39
PCS1900-LeftHandSide-Tilt-Middle(BYD).....	39
4.1.14 PCS1900-LeftHandSide-WorstCase-Low	41
PCS1900-LeftHandSide-Cheek-Low(BYD)	41
4.1.15 PCS1900-LeftHandSide-WorstCase-High.....	43
PCS1900-LeftHandSide-Cheek-High(BYD).....	43
4.1.16 PCS1900-RightHandSide-Cheek-Middle.....	45
PCS900-RightHandSide-Cheek-Middle(BYD).....	45
4.1.17 PCS1900-RightHandSide-Tilt-Middle	47
PCS900-RightHandSide-Tilt-Middle(BYD)	47
4.1.18 PCS1900-RightHandSide-WorstCase-Low	49
PCS900-RightHandSide-Cheek-Low(BYD)	49
4.1.19 PCS1900-RightHandSide-WorstCase-High	51
PCS900-RightHandSide-Cheek-High(BYD)	51
4.1.20 PCS1900-Body-Worn -Low	53
PCS1900-Body-Worn-Low-2.0cm(BYD)	53
4.1.21 PCS1900-Body-Worn -Middle.....	55
PCS1900-Body-Worn-Middle-2.0cm(BYD)	55
4.1.22 PCS1900-Body-Worn -High	57
PCS1900-Body-Worn-High-2.0cm(BYD).....	57
4.2 For JN Battery	59
4.2.1 GSM850-LeftHandSide-Cheek-Middle	59
GSM850-LeftHandSide-Cheek-Middle(JN).....	59
4.2.2 GSM850-LeftHandSide-Tilt-Middle.....	61
GSM850-LeftHandSide-Tilt-Middle(JN)	61
4.2.3 GSM850-LeftHandSide-WorstCase-Low.....	63
GSM850-LeftHandSide-Cheek-Low(JN).....	63
4.2.4 GSM850-LeftHandSide-WorstCase-High	65
GSM850-LeftHandSide-Cheek-High(JN)	65
4.2.5 GSM850-RightHandSide-Cheek-Middle.....	67

GSM850-RightHandSide-Cheek-Middle(JN)	67
4.2.6 GSM850-RightHandSide-Tilt-Middle	69
GSM850-RightHandSide-Tilt-Middle(JN)	69
4.2.7 GSM850-RightHandSide-WorstCase-Low	71
GSM850-RightHandSide-Cheek-Low(JN).....	71
4.2.8 GSM850-RightHandSide-WorstCase-High	73
GSM850-RightHandSide-Cheek-High(JN).....	73
4.2.9 GSM850-Body-Worn -Low	75
GSM850-Body-Worn-Low-2.0cm(JN).....	75
4.2.10 GSM850-Body-Worn -Middle	77
GSM850-Body-Worn-Middle-2.0cm(JN).....	77
4.2.11 GSM850-Body-Worn -High.....	79
GSM850-Body-Worn-High-2.0cm(JN)	79
4.2.12 PCS1900-LeftHandSide-Cheek-Middle	81
PCS1900-LeftHandSide-Cheek-Middle(JN)	81
4.2.13 PCS1900-LeftHandSide-Tilt-Middle.....	83
PCS1900-LeftHandSide-Tilt-Middle(JN).....	83
4.2.14 PCS1900-LeftHandSide-WorstCase-Low	85
PCS1900-LeftHandSide-Cheek-Low(JN)	85
4.2.15 PCS1900-LeftHandSide-WorstCase-High.....	87
PCS1900-LeftHandSide-Cheek-High(JN).....	87
4.2.16 PCS1900-RightHandSide-Cheek-Middle.....	89
PCS900-RightHandSide-Cheek-Middle(JN).....	89
4.2.17 PCS1900-RightHandSide-Tilt-Middle	91
PCS900-RightHandSide-Tilt-Middle(JN)	91
4.2.18 PCS1900-RightHandSide-WorstCase-Low.....	93
PCS900-RightHandSide-Cheek-Low(JN)	93
4.2.19 PCS1900-RightHandSide-WorstCase-High	95
PCS900-RightHandSide-Cheek-High(JN)	95
4.2.20 PCS1900-Body-Worn -Low	97
PCS1900-Body-Worn-Low-2.0cm(JN)	97
4.2.21 PCS1900-Body-Worn -Middle.....	99
PCS1900-Body-Worn-Middle-2.0cm(JN)	99
4.2.22 PCS1900-Body-Worn -High	101
PCS1900-Body-Worn-High-2.0cm(JN).....	101

Appendix	104
1. Photographs of Test Setup	104
2. Photographs of the EUT	107
3. Photographs of the battery	107
4. Photograph of the charger and Headset.....	108
5. Probe Calibration certificate	109
6. DAE Calibration certification	118
7. Dipole Calibration certification.....	123
8. Uncertainty analysis.....	142
9. Phantom description.....	143

1. General Information

1.1 Test Laboratory

GSM Lab

SGS-CSTC Standards Technical Services Co., Ltd Shanghai Branch
9F, the 3rd Building, No.889, Yishan Rd, Xuhui District, Shanghai, China

Zip code: 200233

Telephone: +86 (0) 21 6495 1616

Fax: +86 (0) 21 6495 3679

Internet: <http://www.cn.sgs.com>

1.2 Details of Applicant

Name: T&A Mobile Phones

Address: 3/F,B2 Block,Digital Technology Yard,
Gaoxin Nan Qi Road,Nan Shan District,
Shenzhen,Guangdong,P.R.China

1.3 Description of EUT(s)

Brand name	ALCATEL	
Model No.	U71A	
Market Name	OT-E101A	
Hardware Version	PIO2	
Software Version	U71A/U72A_071	
Serial No.	IMEI: 01113800000015-3	
Battery Type	Lithium-Ion	BYD
		JN
Antenna Type	Inner Antenna	
Operation Mode	GSM850/PCS1900	
Modulation Mode	GMSK	
Frequency range	GSM850	Tx: 824~849 MHz
		Rx: 869~894 MHz
	PCS1900	Tx: 1850~1910 MHz
		Rx: 1930~1990 MHz
Maximum RF Conducted Power	GSM850: 31.4dBm, PCS1900: 30.0dBm	

1.4 Test Environment

Ambient temperature: 22.0° C

Tissue Simulating Liquid: 22° C

Relative Humidity: 45%~55%

1.5 Operation Configuration

Configuration 1: GSM 850, LeftHandSide Cheek & 15 ° Tilt Position

Configuration 2: GSM 850, RightHandSide Cheek & 15 ° Tilt Position

Configuration 3: GSM 850, BodyWorn (2.0cm between EUT and phantom)

Configuration 4: PCS 1900, LeftHandSide Cheek & 15 ° Tilt Position

Configuration 5: PCS 1900, RightHandSide Cheek & 15 ° Tilt Position

Configuration 6: PCS 1900, BodyWorn (2.0cm between EUT and phantom)

1.6 The SAR Measurement System

A photograph of the SAR measurement System is given in Fig. a.

This SAR Measurement System uses a Computer-controlled 3-D stepper motor system (Speag Dasy 4 professional system). A Model ES3DV3 3088 E-field probe is used to determine the internal electric fields. The SAR can be obtained from the equation $SAR = \sigma (|E_i|^2) / \rho$ where σ and ρ are the conductivity and mass density of the tissue-simulant.

The DASY4 system for performing compliance tests consists of the following items:

- A standard high precision 6-axis robot (Stabile RX family) with controller, teach pendant and software. An arm extension for accommodation the data acquisition electronics (DAE).
- A dosimetric probe, i.e., an isotropic E-field probe optimized and calibrated for usage in tissue simulating liquid. The probe is equipped with an optical surface detector system.
- A data acquisition electronics (DAE) which performs the signal amplification, signal multiplexing, AD-conversion, offset measurements, mechanical surface detection, collision detection, etc. The unit is battery powered with standard or rechargeable batteries. The signal is optically transmitted to the EOC.

- The Electro-optical converter (EOC) performs the conversion between optical and electrical of the signals for the digital communication to DAE and for the analog signal from the optical surface detection. The EOC is connected to the measurement server.

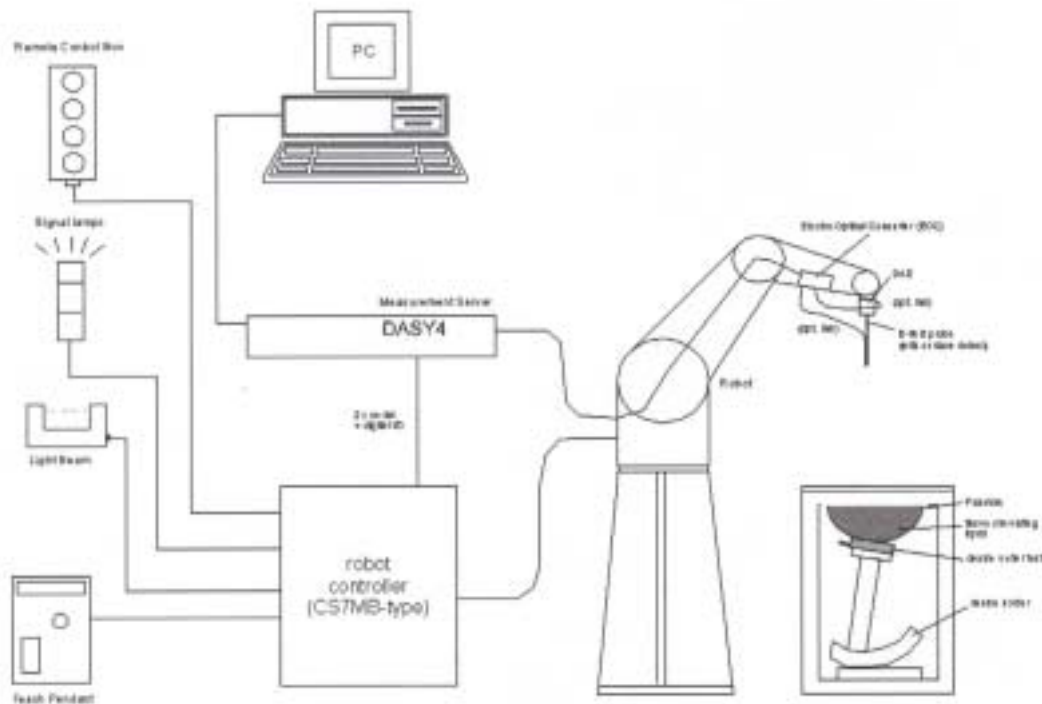


Fig. a SAR System Configuration

- The function of the measurement server is to perform the time critical tasks such as signal filtering, control of the robot operation and fast movement interrupts.
- A probe alignment unit which improves the (absolute) accuracy of the probe positioning.
- A computer operating Windows 2000.
- DASY4 software.
- Remote control with teach pendant and additional circuitry for robot safety such as warning lamps, etc.
- The SAM twin phantom enabling testing left-hand, right-hand and body-worn usage.
- The device holder for handheld mobile phones.
- Tissue simulating liquid mixed according to the given recipes.

- Validation dipole kits allowing to validating the proper functioning of the system.

1.7 SAR System Verification

The microwave circuit arrangement for system verification is sketched in Fig. b. The daily system accuracy verification occurs within the flat section of the SAM phantom. A SAR measurement was performed to see if the measured SAR was within +/- 10% from the target SAR values. These tests were done at 900&1800MHz. The tests were conducted on the same days as the measurement of the DUT. The obtained results from the system accuracy verification are displayed in the table 1 (SAR values are normalized to 1W forward power delivered to the dipole). During the tests, the ambient temperature of the laboratory was in the range 22°C, the relative humidity was in the range 60% and the liquid depth above the ear reference points was above 15 cm in all the cases. It is seen that the system is operating within its specification, as the results are within acceptable tolerance of the reference values.

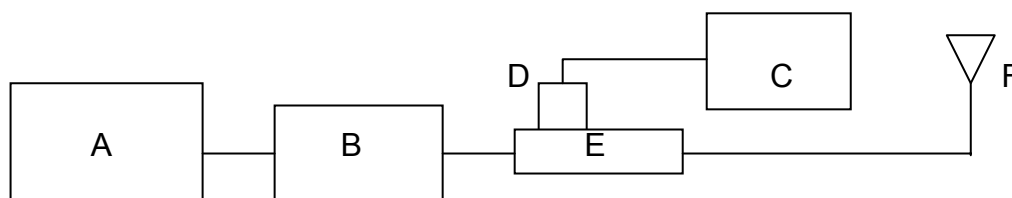


Fig. b the microwave circuit arrangement used for SAR system verification

- A. Agilent Model E4438C Signal Generator
- B. Mini-Circuit Model ZHL-42 Preamplifier
- C. Agilent Model E4416A Power Meter
- D. Agilent Model 8481H Power Sensor
- E. HT CP6100 20N Dual directional coupler
- F. Reference dipole antenna

Validation Kit	Frequency MHz	Target SAR 1g (250mW)	Target SAR 10g (250mW)	Measured SAR 1g	Measured SAR 10g	Measured Date
D900V2 SN184	900 Head	2.72	1.75	2.87	1.84	2007-04-27
				2.86	1.85	2007-04-30
D900V2 SN184	900 Body	2.75	1.79	2.86	1.85	2007-05-10
D1900V2 SN5d028	1900 Head	9.36	4.96	9.22	4.85	2007-05-09
				9.24	4.88	2007-05-10
D1900V2 SN5d028	1900 Body	9.5	5.05	9.61	5.09	2007-05-11

Table 1. Result System Validation

1.8 Tissue Simulant Fluid for the Frequency Band 850MHZ and 1900MHZ

The dielectric properties for this body-simulant fluid were measured by using the HP Model 85070D Dielectric Probe (rates frequency band 200 MHz to 20 GHz) in conjunction with Agilent E5071B Network Analyzer (300 KHz-8500 MHz). The Conductivity (σ) and Permittivity (ρ) are listed in Table 1. For the SAR measurement given in this report. The temperature variation of the Tissue Simulant Fluid was 22°C.

Frequency (MHz)	Tissue Type	Limit/Measured	Permittivity (ρ)	Conductivity (σ)	Simulated Tissue Temp (°C)
850	Head	Recommended Limit	42.0±5%	0.99±5%	20-24
		Measured, 2007-04-27	43.14	0.889	22.7
		Measured, 2007-04-30	42.37	0.886	22.4
	Body	Recommended Limit	55.0±5%	1.05±5%	20-24
		Measured, 2007-05-10	55.72	0.9328	21.8
1900	Head	Recommended Limit	40.0±5%	1.38±5%	20-24
		Measured, 2007-05-09	39.50	1.388	22.1
		Measured, 2007-05-10	38.56	1.437	22.6
	Body	Recommended Limit	53.3±5%	1.52±5%	20-24
		Measured, 2007-05-11	53.10	1.521	22.6

Table 2. Dielectric parameters for the Frequency Band 850&1900MHZ

1.9 Test Standards and Limits

According to FCC 47 CFR §2.1093(d) the limits to be used for evaluation are based generally on criteria published by the American National Standards Institute (ANSI) for localized specific absorption rate (SAR) in Section 4.2 of "IEEE Standard for Safety Levels with Respect to Human Exposure to Radio Frequency Electromagnetic Fields, 3KHz to 300GHz," ANSI/IEEE C95.1-1992, Copyright 1992 by the Institute of Electrical & Electronics Engineers, Inc., New York, New York 10071.

Human Exposure	Uncontrolled Environment General Population
Spatial Peak SAR (Brain)	1.60 mW/g (averaged over a mass of 1g)

Table 3. RF Exposure Limits

2. Summary of Results

GSM850 SAR(BYD Battery)

Mode	Test Configuration		SAR, Averaged over 1g (W/kg)			Temperature ()	Verdict
	Channel/Power(dBm)		Low/31.3	Middle/31.4	High/31.4		
GSM850	Left	Cheek	1.01	1.21	0.836	22	Pass
		Tilt	--	0.745	--	22	Pass
	Right	Cheek	1.03	1.2	0.826	22	Pass
		Tilt	--	0.731	--	22	Pass
	Body	Distance 2.0cm	0.619	0.578	0.380	22	Pass

PCS1900 SAR(BYD Battery)

Mode	Test Configuration		SAR, Averaged over 1g (W/kg)			Temperature ()	Verdict
	Channel/Power(dBm)		Low/29.7	Middle/30.0	High/30.0		
PCS1900	Left	Cheek	0.473	0.451	0.310	22	Pass
		Tilt	--	0.278	--	22	Pass
	Right	Cheek	0.469	0.426	0.297	22	Pass
		Tilt	--	0.199	--	22	Pass
	Body	Distance 2.0cm	0.393	0.438	0.381	22	Pass

GSM850 SAR(JN Battery)

Mode	Test Configuration		SAR, Averaged over 1g (W/kg)			Temperature ()	Verdict
	Channel/Power(dBm)		Low/31.3	Middle/31.4	High/31.4		
GSM850	Left	Cheek	1.08	1.21	0.793	22	Pass
		Tilt	--	0.730	--	22	Pass
	Right	Cheek	1.06	1.24	0.843	22	Pass
		Tilt	--	0.660	--	22	Pass

	Body	Distance 2.0cm	0.542	0.495	0.330	22	Pass
--	------	----------------	-------	-------	-------	----	------

PCS1900 SAR(JN Battery)

Mode	Test Configuration		SAR, Averaged over 1g (W/kg)			Temperature ()	Verdict
	Channel/Power(dBm)		Low/29.7	Middle/30.0	High/30.0		
PCS1900	Left	Cheek	0.499	0.454	0.293	22	Pass
		Tilt	--	0.256	--	22	Pass
	Right	Cheek	0.493	0.417	0.279	22	Pass
		Tilt	--	0.194	--	22	Pass
	Body	Distance 2.0cm	0.427	0.449	0.366	22	Pass

Maximum values with BYD Battery

Frequency Band (MHz)	EUT position	Conducted Output Power (dBm)	1g Average (W/kg)	Power Drift(dB)	Amb. Temp ()	Verdict
850	LeftHand, Cheek, Middle Channel	31.4	1.21	-0.081	22	PASS
	RightHand, Cheek, Middle Channel	31.4	1.2	-0.164	22	PASS
	BodyWorn, Low Channel	31.3	0.619	0.020	22	PASS
1900	LeftHand, Cheek, Low Channel	29.7	0.473	-0.010	22	PASS
	RightHand, Cheek, Low Channel	29.7	0.469	0.015	22	PASS
	BodyWorn, Middle Channel	30.0	0.438	-0.044	22	PASS

Maximum values with JN Battery

Frequency Band (MHz)	EUT position	Conducted Output Power (dBm)	10g Average (W/kg)	Power Drift(dB)	Amb. Temp ()	Verdict
850	LeftHand, Cheek, Middle Channel	31.4	1.21	-0.151	22	PASS
	RightHand, Cheek, Middle Channel	31.4	1.24	-0.172	22	PASS
	BodyWorn, Low Channel	31.3	0.542	-0.017	22	PASS
1900	LeftHand, Cheek, Low Channel	29.7	0.499	-0.036	22	PASS
	RightHand, Cheek, Low Channel	29.7	0.493	-0.005	22	PASS
	BodyWorn, Middle Channel	30.0	0.449	0.003	22	PASS

Note:

1. In GSM850 band, the low, middle and high channels are CH128/824.2MHz, CH189/836.4MHz and CH251/848.8MHz separately.
2. In PCS1900 band, the low, middle and high channels are CH512/1805.2MHz, CH661/1880.0MHz and CH810/1909.8MHz separately.
3. For the Bodyworn measurements the sample was only placed with the antenna toward the phantom since this position delivers the highest SAR values.
4. For the Bodyworn measurements, the distance from the sample to the phantom is 2.0 cm.
5. For all the tests, the maximum absolute value of the power drift which is under the GSM850-RightHandSide-Cheek-Middle(JN) configuration is 0.172dB.

3. Instruments List

Instrument	Model	Serial number	NO.	Date of last Calibration
Desktop PC	COMPAQ EVO	N/A	GSM-SAR-025	N/A
Dasy 4 software	V 4.7 build 44	N/A	GSM-SAR-001	N/A
Probe	ES3DV3	3088	GSM-SAR-034	2006.12.12
DAE	DAE3	569	GSM-SAR-023	2006.12.08
900MHz system validation dipole	D900V2	184	GSM-SAR-017	2006.12.06
1800MHz system validation dipole	D1800V2	2d070	GSM-SAR-018	2006.12.12
Phantom	SAM 12	TP-1283	GSM-SAR-005	N/A
Robot	RX90L	F03/5V32A1/A01	GSM-SAR-006	N/A
Dielectric probe kit	85070D	US01440168	GSM-SAR-016	2006.12.19
Agilent network analyzer	E5071B	MY42100549	GSM-SAR-007	2006.12.19
Agilent signal generator	E4438	14438CATO-19719	GSM-SAR-008	2006.12.19
Mini-Circuits preamplifier	ZHL-42	D041905	GSM-SAR-033	2006.04.26
Agilent power meter	E4416A	GB41292095	GSM-SAR-010	2006.12.19
Agilent power sensor	8481H	MY41091234	GSM-SAR-011	2006.12.19
HT CP6100 20N Coupling	6100	SCP301480120	GSM-SAR-012	2006.12.19
R&S Universal radio communication tester	CMU200	103633	GSM-AUD-002	2006.12.19

4. Measurements

4.1 For BYD Battery

4.1.1 GSM850-LeftHandSide-Cheek-Middle

Date/Time: 2007-4-30 8:32:32

Test Laboratory: SGS-GSM

GSM850-LeftHandSide-Cheek-Middle(BYD)

DUT: GSM10337924I; Type: Head; Serial: 0111380000015-3

Communication System: GSM850-GSM Mode; Frequency: 836.4 MHz; Duty Cycle: 1:8.3

Medium: HSL850-Head Medium parameters used: $f = 836.4$ MHz; $\sigma = 0.881$ mho/m; $r = 42.4$; $\rho = 1000$ kg/m³

Phantom section: Left Section

DASY4 Configuration:

- Probe: ES3DV3 - SN3088; ConvF(6, 6, 6); Calibrated: 2006-12-12
- Sensor-Surface: 4mm (Mechanical Surface Detection)
- Electronics: DAE3 Sn569; Calibrated: 2006-12-8
- Phantom: SAM 12; Type: SAM V4.0; Serial: TP-1283
- Measurement SW: DASY4, V4.7 Build 44; Postprocessing SW: SEMCAD, V1.8 Build 171

Cheek position - Mid(BYD)/Area Scan (61x101x1): Measurement grid: dx=15mm, dy=15mm

Maximum value of SAR (interpolated) = 1.30 mW/g

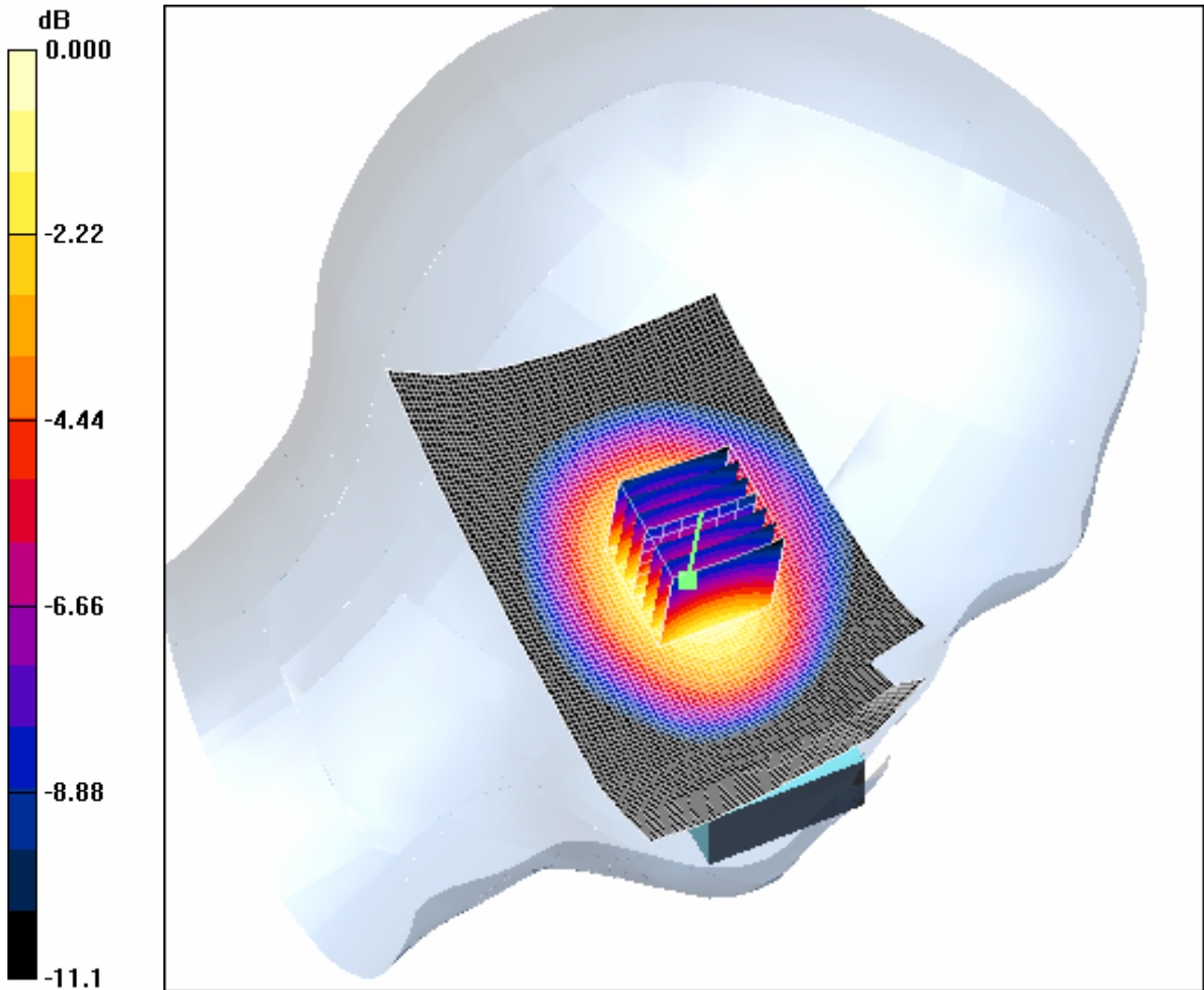
Cheek position - Mid(BYD)/Zoom Scan (7x7x7) (7x7x7)/Cube 0: Measurement grid: dx=5mm, dy=5mm, dz=5mm

Reference Value = 29.8 V/m; Power Drift = -0.081 dB

Peak SAR (extrapolated) = 1.68 W/kg

SAR(1 g) = 1.21 mW/g; SAR(10 g) = 0.815 mW/g

Maximum value of SAR (measured) = 1.30 mW/g



0 dB = 1.30mW/g

4.1.2 GSM850-LeftHandSide-Tilt-Middle

Date/Time: 2007-4-30 9:08:59

Test Laboratory: SGS-GSM

GSM850-LeftHandSide-Tilt-Middle(BYD)

DUT: GSM10337924I; Type: Head; Serial: 0111380000015-3

Communication System: GSM850-GSM Mode; Frequency: 836.4 MHz; Duty Cycle: 1:8.3

Medium: HSL850-Head Medium parameters used: $f = 836.4$ MHz; $\sigma = 0.881$ mho/m; $r = 42.4$; $\rho = 1000$ kg/m³

Phantom section: Left Section

DASY4 Configuration:

- Probe: ES3DV3 - SN3088; ConvF(6, 6, 6); Calibrated: 2006-12-12
- Sensor-Surface: 4mm (Mechanical Surface Detection)
- Electronics: DAE3 Sn569; Calibrated: 2006-12-8
- Phantom: SAM 12; Type: SAM V4.0; Serial: TP-1283
- Measurement SW: DASY4, V4.7 Build 44; Postprocessing SW: SEMCAD, V1.8 Build 171

Tilt position - Mid(BYD)/Area Scan (61x101x1): Measurement grid: dx=15mm, dy=15mm
Maximum value of SAR (interpolated) = 0.801 mW/g

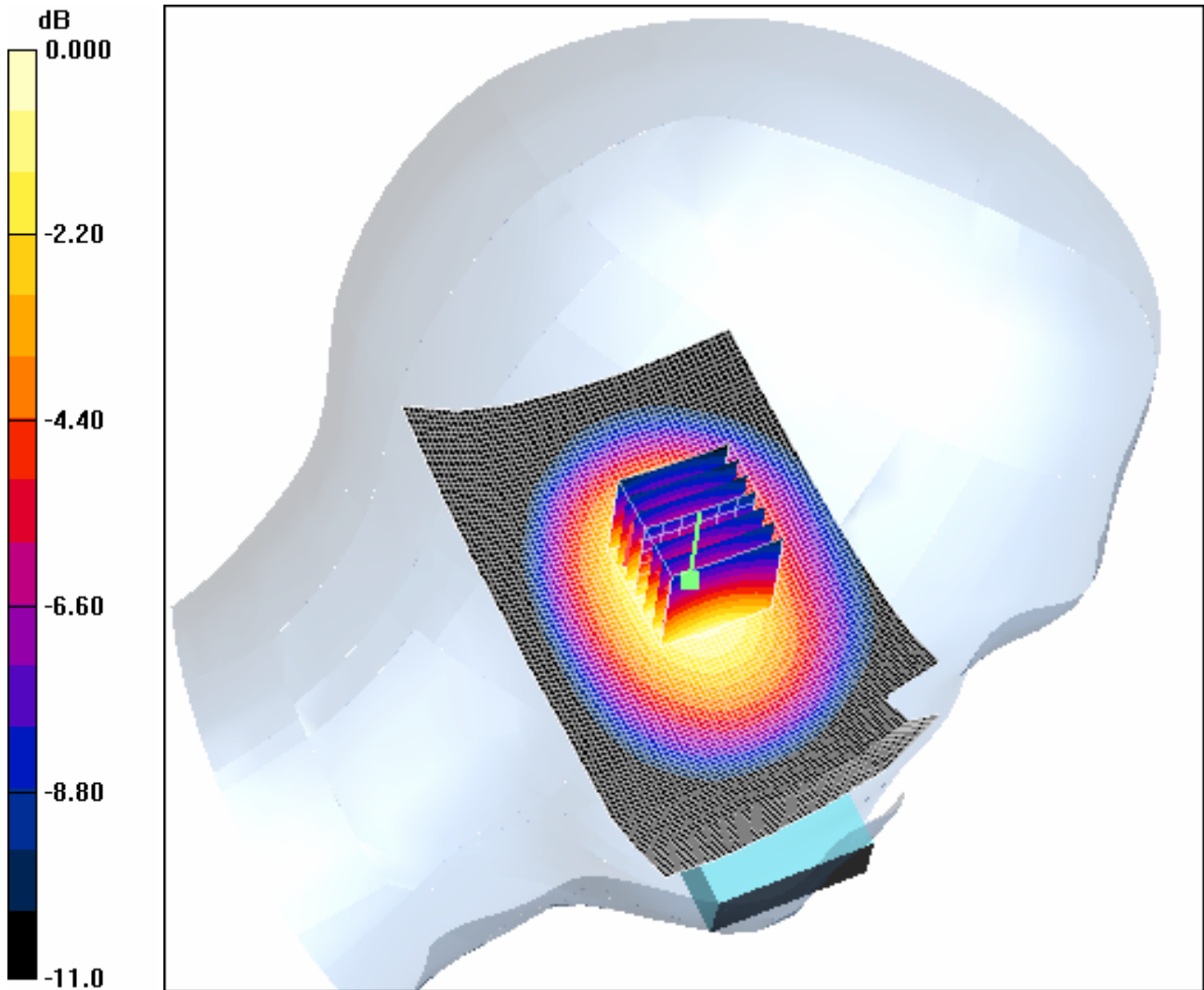
Tilt position - Mid(BYD)/Zoom Scan (7x7x7) (7x7x7)/Cube 0: Measurement grid: dx=5mm, dy=5mm, dz=5mm

Reference Value = 27.8 V/m; Power Drift = -0.143 dB

Peak SAR (extrapolated) = 1.01 W/kg

SAR(1 g) = 0.745 mW/g; SAR(10 g) = 0.507 mW/g

Maximum value of SAR (measured) = 0.799 mW/g



0 dB = 0.799mW/g

4.1.3 GSM850-LeftHandSide-WorstCase-Low

Date/Time: 2007-4-30 9:53:07

Test Laboratory: SGS-GSM

GSM850-LeftHandSide-Cheek-Low(BYD)

DUT: GSM10337924I; Type: Head; Serial: 0111380000015-3

Communication System: GSM850-GSM Mode; Frequency: 824.2 MHz; Duty Cycle: 1:8.3

Medium: HSL850-Head Medium parameters used: $f = 824.2$ MHz; $\sigma = 0.867$ mho/m; $r = 42.6$; $\rho = 1000$ kg/m³

Phantom section: Left Section

DASY4 Configuration:

- Probe: ES3DV3 - SN3088; ConvF(6, 6, 6); Calibrated: 2006-12-12
- Sensor-Surface: 4mm (Mechanical Surface Detection)
- Electronics: DAE3 Sn569; Calibrated: 2006-12-8
- Phantom: SAM 12; Type: SAM V4.0; Serial: TP-1283
- Measurement SW: DASY4, V4.7 Build 44; Postprocessing SW: SEMCAD, V1.8 Build 171

Cheek position - Low(BYD)/Area Scan (61x101x1): Measurement grid: dx=15mm, dy=15mm

Maximum value of SAR (interpolated) = 1.07 mW/g

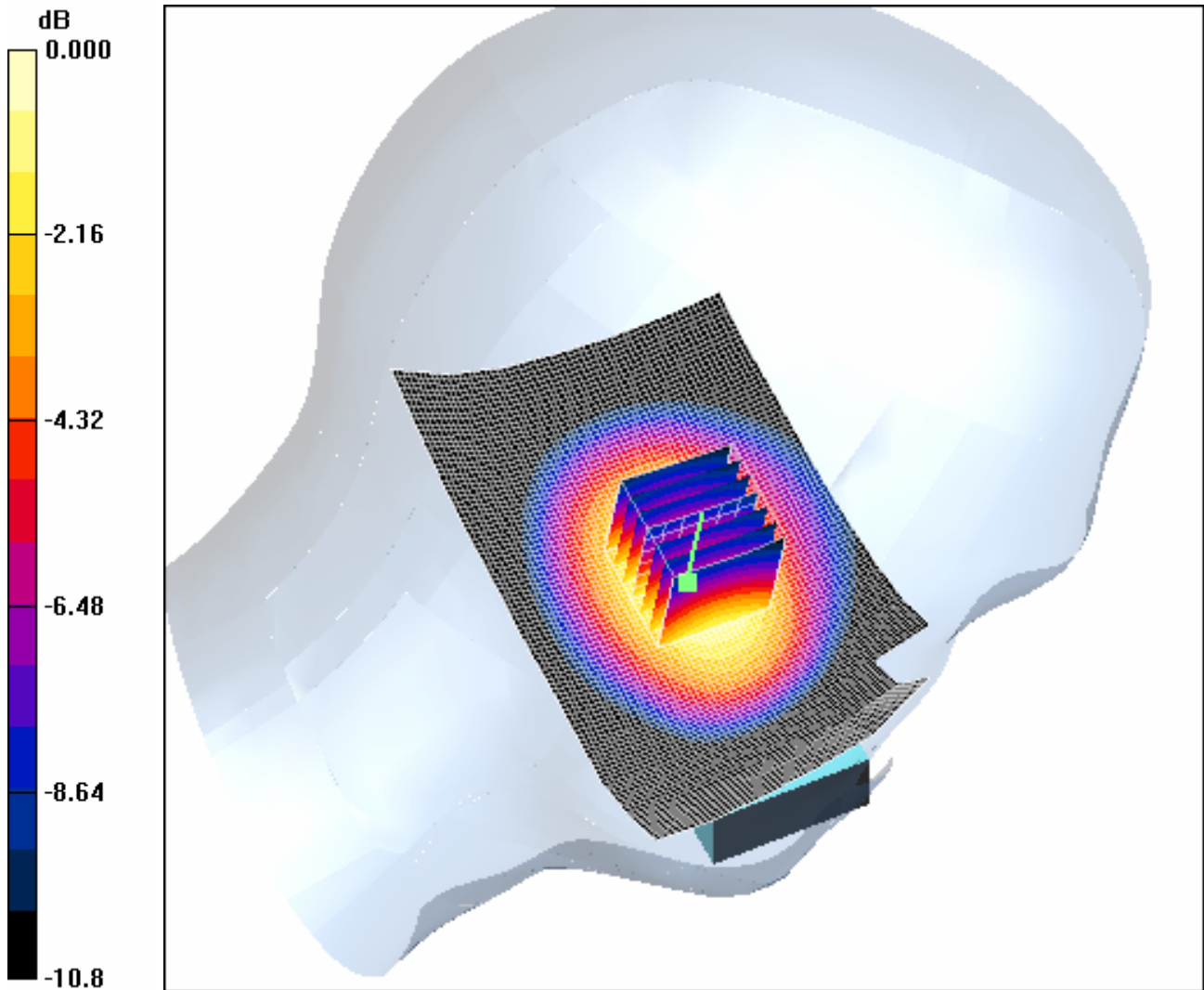
Cheek position - Low(BYD)/Zoom Scan (7x7x7)/Cube 0: Measurement grid: dx=5mm, dy=5mm, dz=5mm

Reference Value = 27.6 V/m; Power Drift = 0.035 dB

Peak SAR (extrapolated) = 1.40 W/kg

SAR(1 g) = 1.01 mW/g; SAR(10 g) = 0.681 mW/g

Maximum value of SAR (measured) = 1.09 mW/g



0 dB = 1.09mW/g

4.1.4 GSM850-LeftHandSide-WorstCase-High

Date/Time: 2007-4-30 10:16:00

Test Laboratory: SGS-GSM

GSM850-LeftHandSide-Cheek-High(BYD)

DUT: GSM10337924I; Type: Head; Serial: 0111380000015-3

Communication System: GSM850-GSM Mode; Frequency: 848.8 MHz; Duty Cycle: 1:8.3

Medium: HSL850-Head Medium parameters used: $f = 848.8 \text{ MHz}$; $\sigma = 0.898 \text{ mho/m}$; $r = 42.4$; $\rho = 1000 \text{ kg/m}^3$

Phantom section: Left Section

DASY4 Configuration:

- Probe: ES3DV3 - SN3088; ConvF(6, 6, 6); Calibrated: 2006-12-12
- Sensor-Surface: 4mm (Mechanical Surface Detection)
- Electronics: DAE3 Sn569; Calibrated: 2006-12-8
- Phantom: SAM 12; Type: SAM V4.0; Serial: TP-1283
- Measurement SW: DASY4, V4.7 Build 44; Postprocessing SW: SEMCAD, V1.8 Build 171

Cheek position - High(BYD)/Area Scan (61x101x1): Measurement grid: $dx=15\text{mm}$, $dy=15\text{mm}$
Maximum value of SAR (interpolated) = 0.899 mW/g

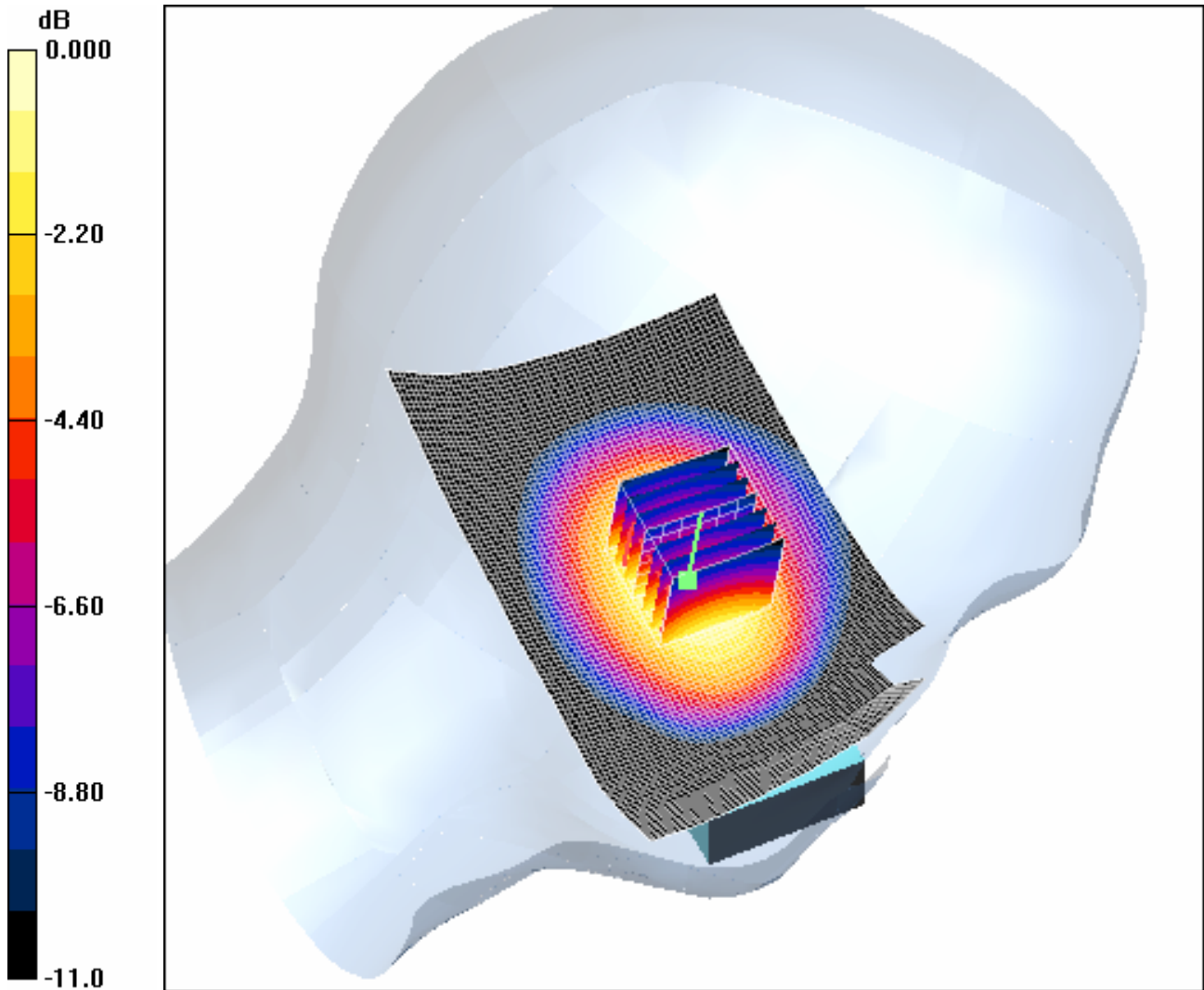
Cheek position - High(BYD)/Zoom Scan (7x7x7) (7x7x7)/Cube 0: Measurement grid: $dx=5\text{mm}$,
 $dy=5\text{mm}$, $dz=5\text{mm}$

Reference Value = 24.3 V/m; Power Drift = -0.087 dB

Peak SAR (extrapolated) = 1.16 W/kg

SAR(1 g) = 0.836 mW/g; SAR(10 g) = 0.560 mW/g

Maximum value of SAR (measured) = 0.899 mW/g



0 dB = 0.899mW/g

4.1.5 GSM850-RightHandSide-Cheek-Middle

Date/Time: 2007-4-27 9:22:23

Test Laboratory: SGS-GSM

GSM850-RightHandSide-Cheek-Middle(BYD)

DUT: GSM10337924I; Type: Head; Serial: 0111380000015-3

Communication System: GSM850-GSM Mode; Frequency: 836.4 MHz; Duty Cycle: 1:8.3

Medium: HSL850-Head Medium parameters used: $f = 836.4$ MHz; $\sigma = 0.881$ mho/m; $r = 42.4$; $\rho = 1000$ kg/m³

Phantom section: Right Section

DASY4 Configuration:

- Probe: ES3DV3 - SN3088; ConvF(6, 6, 6); Calibrated: 2006-12-12
- Sensor-Surface: 4mm (Mechanical Surface Detection)
- Electronics: DAE3 Sn569; Calibrated: 2006-12-8
- Phantom: SAM 12; Type: SAM V4.0; Serial: TP-1283
- Measurement SW: DASY4, V4.7 Build 44; Postprocessing SW: SEMCAD, V1.8 Build 171

Cheek position - Middle(BYD)/Area Scan (61x101x1): Measurement grid: dx=15mm, dy=15mm
Maximum value of SAR (interpolated) = 1.31 mW/g

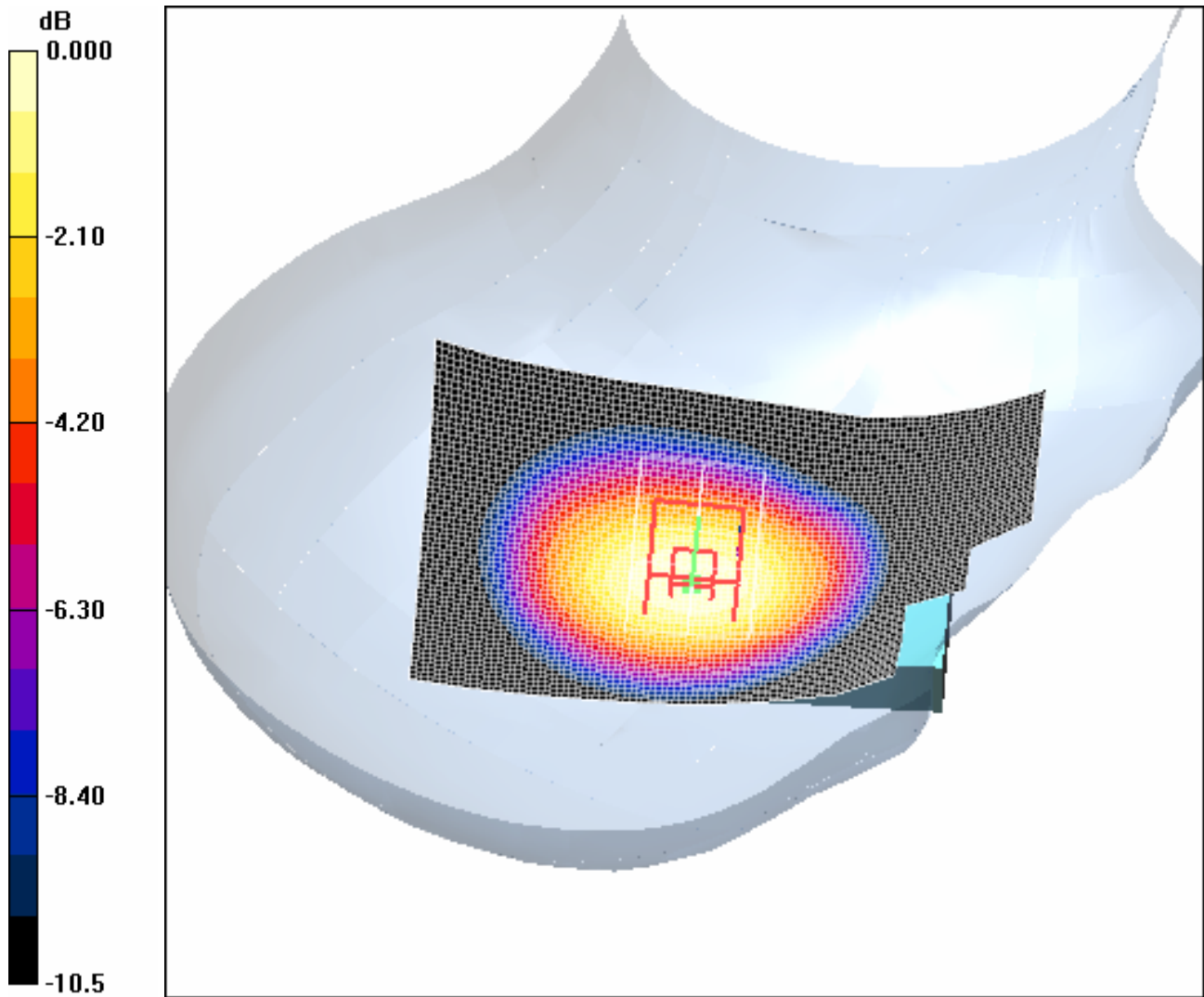
Cheek position - Middle(BYD)/Zoom Scan (7x7x7)/Cube 0: Measurement grid: dx=5mm, dy=5mm, dz=5mm

Reference Value = 30.1 V/m; Power Drift = -0.164 dB

Peak SAR (extrapolated) = 1.64 W/kg

SAR(1 g) = 1.2 mW/g; SAR(10 g) = 0.814 mW/g

Maximum value of SAR (measured) = 1.30 mW/g



0 dB = 1.30mW/g

4.1.6 GSM850-RightHandSide-Tilt-Middle

Date/Time: 2007-4-30 12:57:49

Test Laboratory: SGS-GSM

GSM850-RightHandSide-Tilt-Middle(BYD)

DUT: GSM10337924I; Type: Head; Serial: 0111380000015-3

Communication System: GSM850-GSM Mode; Frequency: 836.4 MHz; Duty Cycle: 1:8.3

Medium: HSL850-Head Medium parameters used: $f = 836.4 \text{ MHz}$; $\sigma = 0.881 \text{ mho/m}$; $r = 42.4$; $\rho = 1000 \text{ kg/m}^3$

Phantom section: Right Section

DASY4 Configuration:

- Probe: ES3DV3 - SN3088; ConvF(6, 6, 6); Calibrated: 2006-12-12
- Sensor-Surface: 4mm (Mechanical Surface Detection)
- Electronics: DAE3 Sn569; Calibrated: 2006-12-8
- Phantom: SAM 12; Type: SAM V4.0; Serial: TP-1283
- Measurement SW: DASY4, V4.7 Build 44; Postprocessing SW: SEMCAD, V1.8 Build 171

Tilt position - Middle(BYD)/Area Scan (61x101x1): Measurement grid: $dx=15\text{mm}$, $dy=15\text{mm}$

Maximum value of SAR (interpolated) = 0.799 mW/g

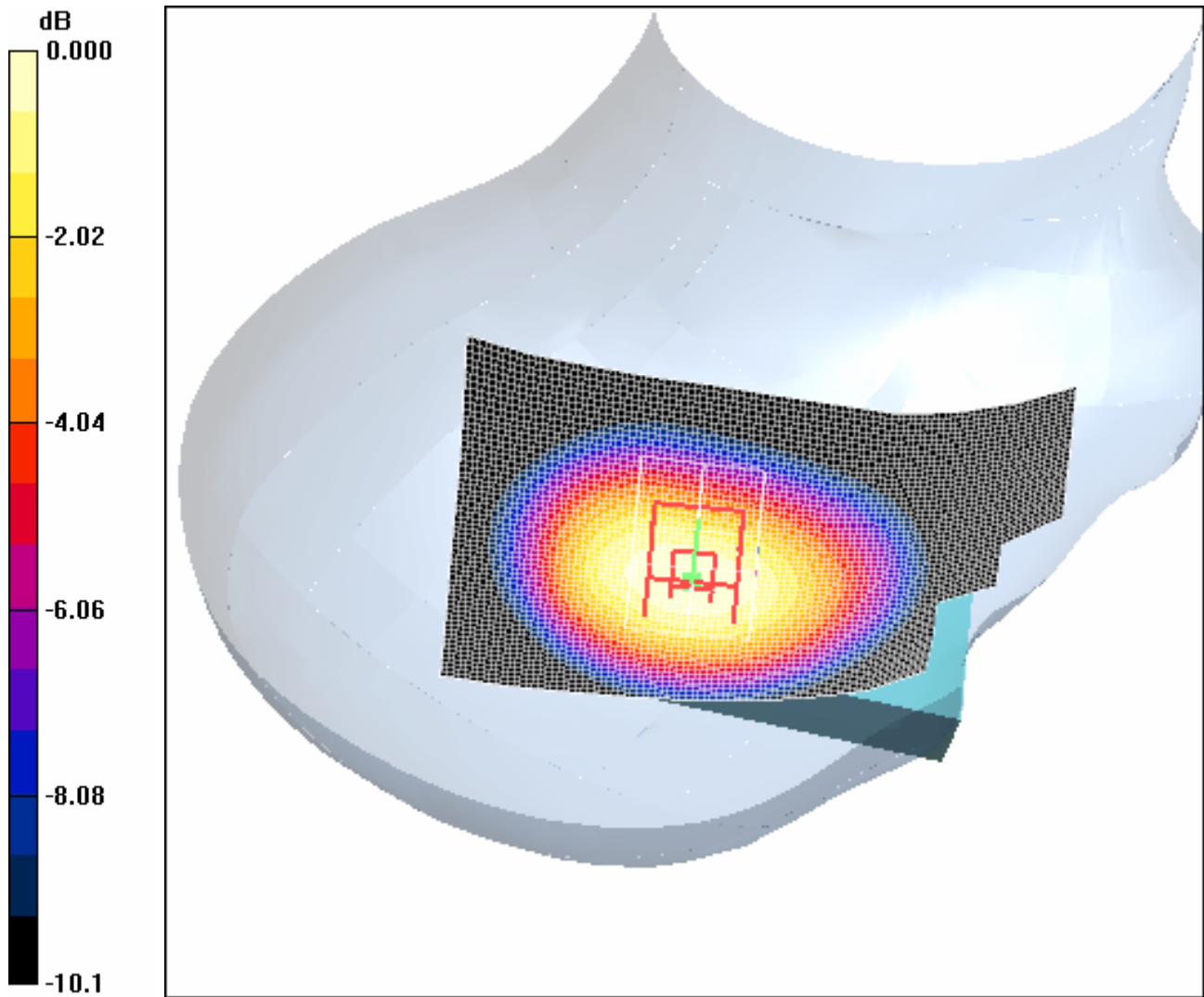
Tilt position - Middle(BYD)/Zoom Scan (7x7x7)/Cube 0: Measurement grid: $dx=5\text{mm}$, $dy=5\text{mm}$, $dz=5\text{mm}$

Reference Value = 27.2 V/m; Power Drift = -0.161 dB

Peak SAR (extrapolated) = 0.985 W/kg

SAR(1 g) = 0.731 mW/g; SAR(10 g) = 0.506 mW/g

Maximum value of SAR (measured) = 0.784 mW/g



0 dB = 0.784mW/g

4.1.7 GSM850-RightHandSide-WorstCase-Low

Date/Time: 2007-4-27 9:55:19

Test Laboratory: SGS-GSM

GSM850-RightHandSide-Cheek-Low(BYD)

DUT: GSM10337924I; Type: Head; Serial: 0111380000015-3

Communication System: GSM850-GSM Mode; Frequency: 824.2 MHz; Duty Cycle: 1:8.3

Medium: HSL850-Head Medium parameters used: $f = 824.2$ MHz; $\sigma = 0.867$ mho/m; $r = 42.6$; $\rho = 1000$ kg/m³

Phantom section: Right Section

DASY4 Configuration:

- Probe: ES3DV3 - SN3088; ConvF(6, 6, 6); Calibrated: 2006-12-12
- Sensor-Surface: 4mm (Mechanical Surface Detection)
- Electronics: DAE3 Sn569; Calibrated: 2006-12-8
- Phantom: SAM 12; Type: SAM V4.0; Serial: TP-1283
- Measurement SW: DASY4, V4.7 Build 44; Postprocessing SW: SEMCAD, V1.8 Build 171

Cheek position - Low(BYD)/Area Scan (61x101x1): Measurement grid: dx=15mm, dy=15mm

Maximum value of SAR (interpolated) = 1.12 mW/g

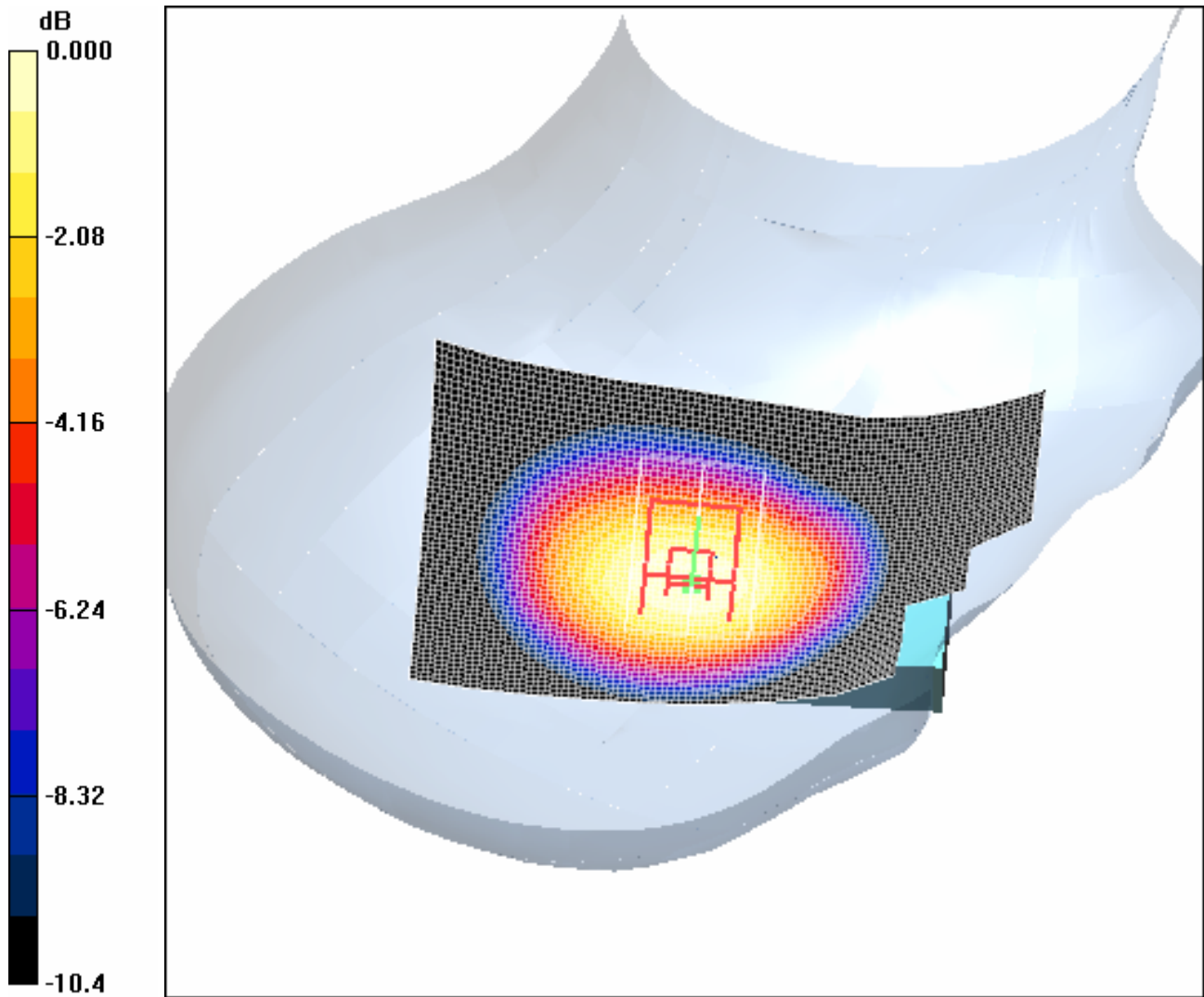
Cheek position - Low(BYD)/Zoom Scan (7x7x7) (7x7x7)/Cube 0: Measurement grid: dx=5mm, dy=5mm, dz=5mm

Reference Value = 28.1 V/m; Power Drift = -0.041 dB

Peak SAR (extrapolated) = 1.40 W/kg

SAR(1 g) = 1.03 mW/g; SAR(10 g) = 0.705 mW/g

Maximum value of SAR (measured) = 1.11 mW/g



0 dB = 1.11mW/g

4.1.8 GSM850-RightHandSide-WorstCase-High

Date/Time: 2007-4-27 10:20:14

Test Laboratory: SGS-GSM

GSM850-RightHandSide-Cheek-High(BYD)

DUT: GSM10337924I; Type: Head; Serial: 0111380000015-3

Communication System: GSM850-GSM Mode; Frequency: 848.8 MHz; Duty Cycle: 1:8.3

Medium: HSL850-Head Medium parameters used: $f = 848.8$ MHz; $\sigma = 0.898$ mho/m; $\epsilon_r = 42.4$; $\rho = 1000$ kg/m³

Phantom section: Right Section

DASY4 Configuration:

- Probe: ES3DV3 - SN3088; ConvF(6, 6, 6); Calibrated: 2006-12-12
- Sensor-Surface: 4mm (Mechanical Surface Detection)
- Electronics: DAE3 Sn569; Calibrated: 2006-12-8
- Phantom: SAM 12; Type: SAM V4.0; Serial: TP-1283
- Measurement SW: DASY4, V4.7 Build 44; Postprocessing SW: SEMCAD, V1.8 Build 171

Cheek position - High(BYD)/Area Scan (61x101x1): Measurement grid: dx=15mm, dy=15mm
Maximum value of SAR (interpolated) = 0.898 mW/g

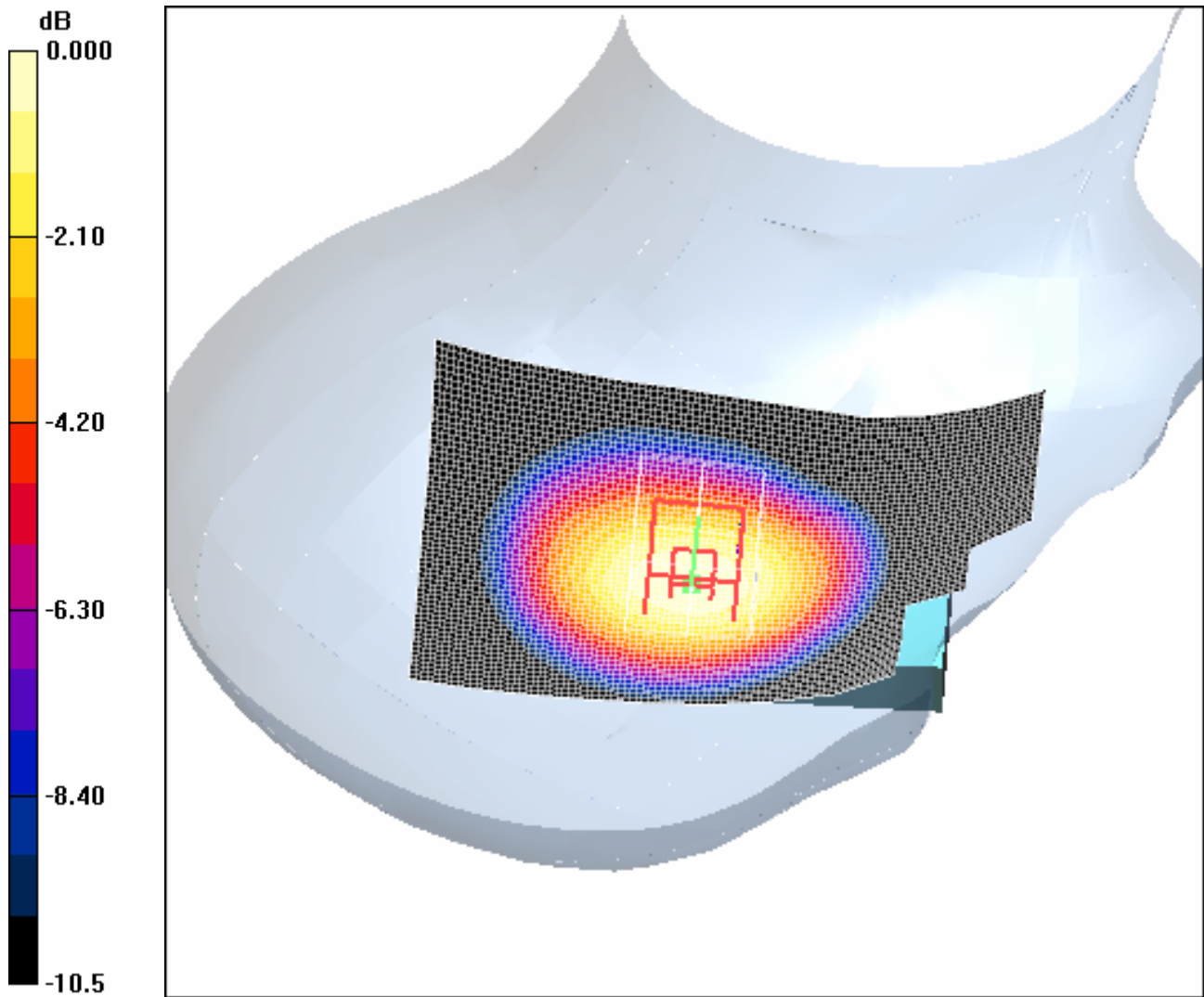
Cheek position - High(BYD)/Zoom Scan (7x7x7) (7x7x7)/Cube 0: Measurement grid: dx=5mm, dy=5mm, dz=5mm

Reference Value = 24.2 V/m; Power Drift = -0.014 dB

Peak SAR (extrapolated) = 1.12 W/kg

SAR(1 g) = 0.826 mW/g; SAR(10 g) = 0.559 mW/g

Maximum value of SAR (measured) = 0.891 mW/g



0 dB = 0.891mW/g

4.1.9 GSM850-Body-Worn -Low

Date/Time: 2007-5-10 20:06:06

Test Laboratory: SGS-GSM

GSM850-Body-Worn-Low-2.0cm(BYD)

DUT: GSM10337924I; Type: Head; Serial: 01113800000015-3

Communication System: EGSM900-GSM Mode; Frequency: 880.2 MHz; Duty Cycle: 1:8.3

Medium: 850-Body Medium parameters used: $f = 880.2$ MHz; $\sigma = 0.991$ mho/m; $\epsilon_r = 54.3$; $\rho = 1000$ kg/m³

Phantom section: Flat Section

DASY4 Configuration:

- Probe: ES3DV3 - SN3088; ConvF(5.92, 5.92, 5.92); Calibrated: 2006-12-12
- Sensor-Surface: 4mm (Mechanical Surface Detection)
- Electronics: DAE3 Sn569; Calibrated: 2006-12-8
- Phantom: SAM 12; Type: SAM V4.0; Serial: TP-1283
- Measurement SW: DASY4, V4.7 Build 44; Postprocessing SW: SEMCAD, V1.8 Build 171

Body Worn - Low(BYD)/Area Scan (51x91x1): Measurement grid: dx=15mm, dy=15mm

Maximum value of SAR (interpolated) = 0.672 mW/g

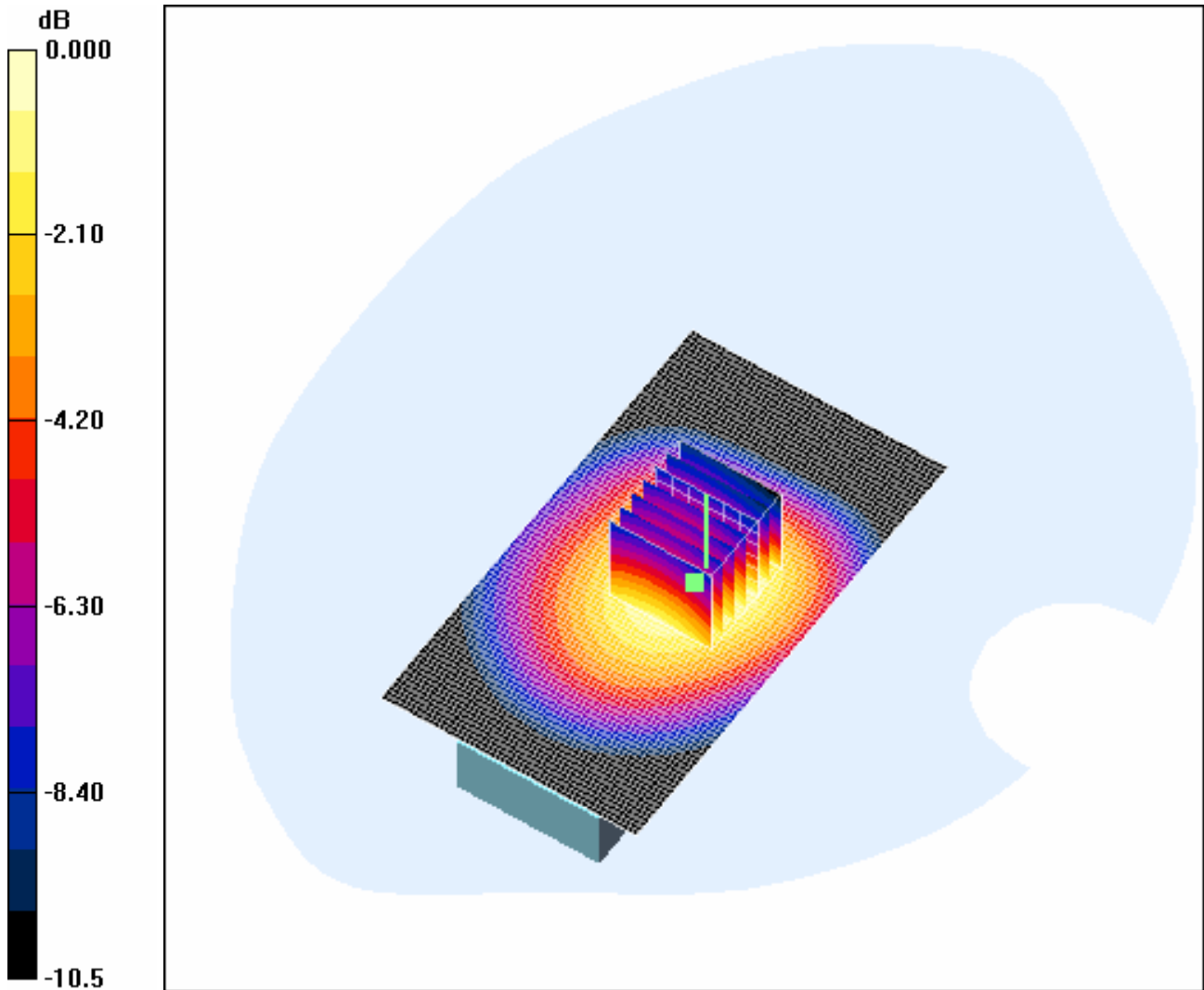
Body Worn - Low(BYD)/Zoom Scan (7x7x7) (7x7x7)/Cube 0: Measurement grid: dx=5mm, dy=5mm, dz=5mm

Reference Value = 15.2 V/m; Power Drift = 0.020 dB

Peak SAR (extrapolated) = 0.838 W/kg

SAR(1 g) = 0.619 mW/g; SAR(10 g) = 0.435 mW/g

Maximum value of SAR (measured) = 0.661 mW/g



0 dB = 0.661mW/g

4.1.10 GSM850-Body-Worn -Middle

Date/Time: 2007-5-10 19:43:15

Test Laboratory: SGS-GSM

GSM850-Body-Worn-Middle-2.0cm(BYD)

DUT: GSM10337924I; Type: Head; Serial: 0111380000015-3

Communication System: EGSM900-GSM Mode; Frequency: 897.6 MHz; Duty Cycle: 1:8.3

Medium: 850-Body Medium parameters used: $f = 897.6 \text{ MHz}$; $\sigma = 1.01 \text{ mho/m}$; $r = 54$; $\rho = 1000 \text{ kg/m}^3$

Phantom section: Flat Section

DASY4 Configuration:

- Probe: ES3DV3 - SN3088; ConvF(5.92, 5.92, 5.92); Calibrated: 2006-12-12
- Sensor-Surface: 4mm (Mechanical Surface Detection)
- Electronics: DAE3 Sn569; Calibrated: 2006-12-8
- Phantom: SAM 12; Type: SAM V4.0; Serial: TP-1283
- Measurement SW: DASY4, V4.7 Build 44; Postprocessing SW: SEMCAD, V1.8 Build 171

Body Worn - Middle(BYD)/Area Scan (51x91x1): Measurement grid: $dx=15\text{mm}$, $dy=15\text{mm}$

Maximum value of SAR (interpolated) = 0.627 mW/g

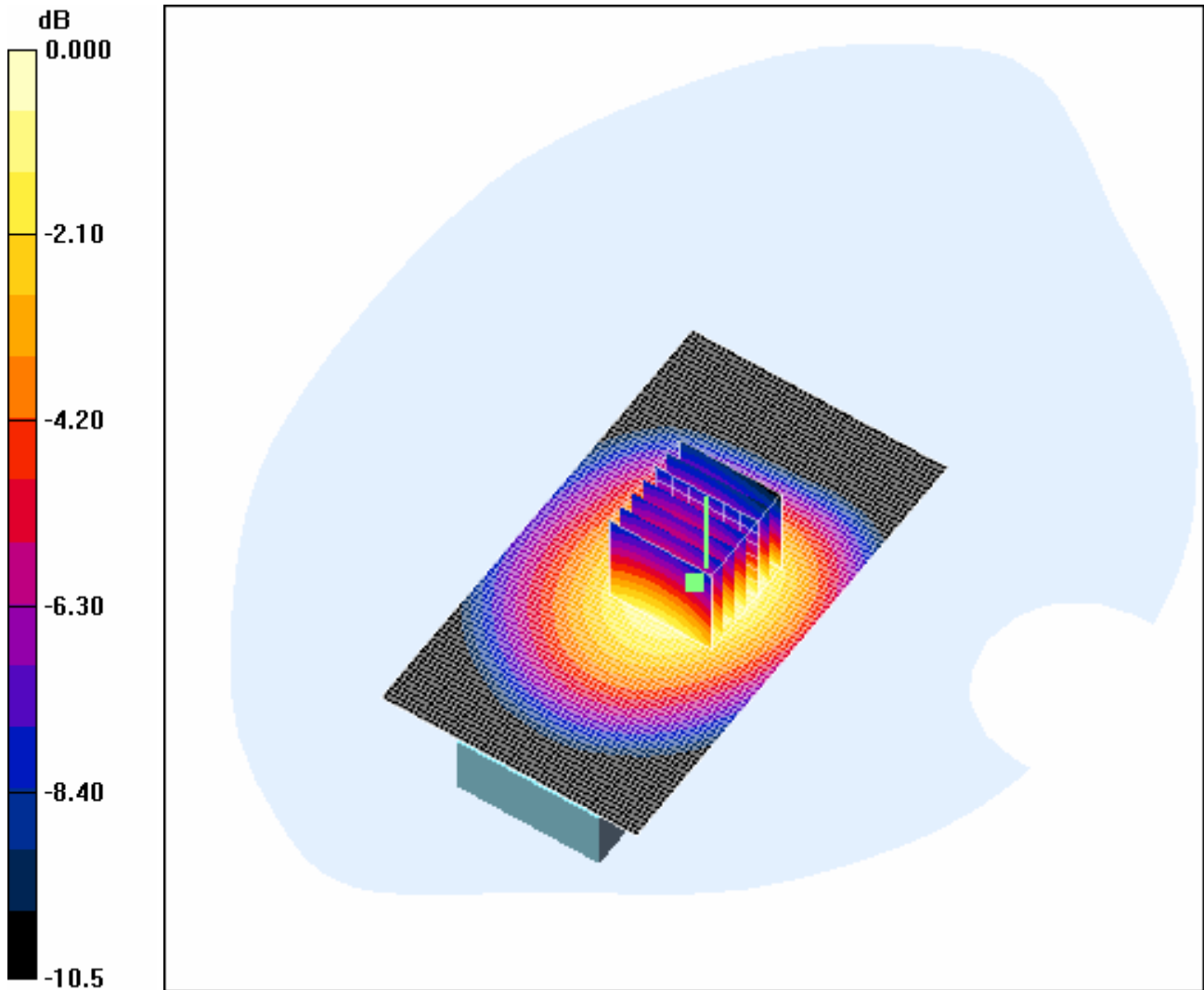
Body Worn - Middle(BYD)/Zoom Scan (7x7x7)/Cube 0: Measurement grid: $dx=5\text{mm}$, $dy=5\text{mm}$, $dz=5\text{mm}$

Reference Value = 14.5 V/m; Power Drift = 0.020 dB

Peak SAR (extrapolated) = 0.786 W/kg

SAR(1 g) = 0.578 mW/g; SAR(10 g) = 0.406 mW/g

Maximum value of SAR (measured) = 0.617 mW/g



0 dB = 0.617mW/g

4.1.11 GSM850-Body-Worn -High

Date/Time: 2007-5-10 20:36:02

Test Laboratory: SGS-GSM

GSM850-Body-Worn-High-2.0cm(BYD)

DUT: GSM10337924I; Type: Head; Serial: 0111380000015-3

Communication System: EGSM900-GSM Mode; Frequency: 914.8 MHz; Duty Cycle: 1:8.3

Medium: 850-Body Medium parameters used: $f = 914.8$ MHz; $\sigma = 1.03$ mho/m; $\epsilon_r = 54$; $\rho = 1000$ kg/m³

Phantom section: Flat Section

DASY4 Configuration:

- Probe: ES3DV3 - SN3088; ConvF(5.92, 5.92, 5.92); Calibrated: 2006-12-12
- Sensor-Surface: 4mm (Mechanical Surface Detection)
- Electronics: DAE3 Sn569; Calibrated: 2006-12-8
- Phantom: SAM 12; Type: SAM V4.0; Serial: TP-1283
- Measurement SW: DASY4, V4.7 Build 44; Postprocessing SW: SEMCAD, V1.8 Build 171

Body Worn - High(BYD)/Area Scan (51x91x1): Measurement grid: dx=15mm, dy=15mm

Maximum value of SAR (interpolated) = 0.411 mW/g

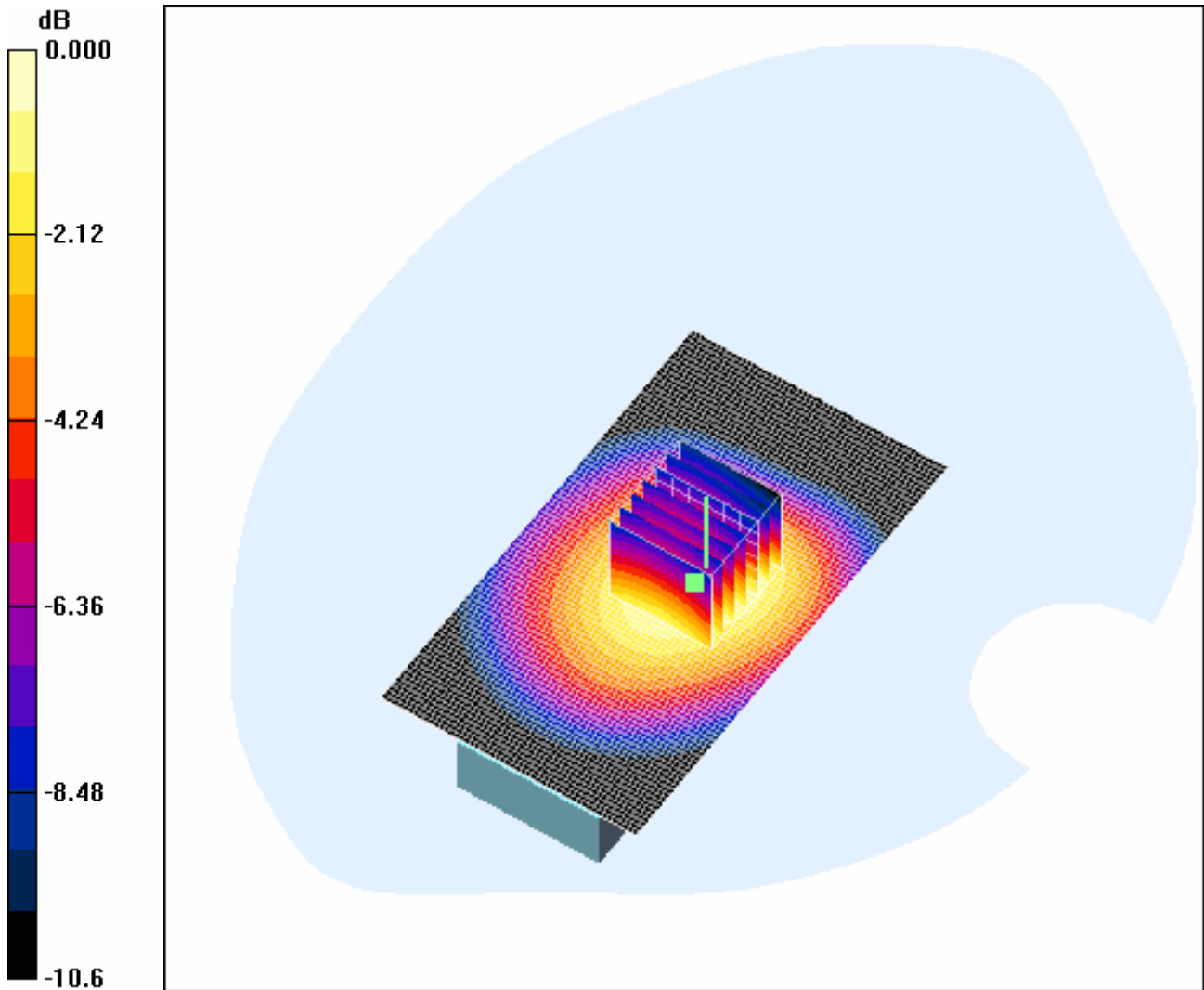
Body Worn - High(BYD)/Zoom Scan (7x7x7) (7x7x7)/Cube 0: Measurement grid: dx=5mm, dy=5mm, dz=5mm

Reference Value = 11.6 V/m; Power Drift = -0.036 dB

Peak SAR (extrapolated) = 0.517 W/kg

SAR(1 g) = 0.380 mW/g; SAR(10 g) = 0.265 mW/g

Maximum value of SAR (measured) = 0.403 mW/g



0 dB = 0.403mW/g

4.1.12 PCS1900-LeftHandSide-Cheek-Middle

Date/Time: 2007-5-9 20:03:46

Test Laboratory: SGS-GSM

PCS1900-LeftHandSide-Cheek-Middle(BYD)

DUT: GSM10337924I; Type: Head; Serial: 0111380000015-3

Communication System: PCS1900-GSM Mode; Frequency: 1880 MHz; Duty Cycle: 1:8.3

Medium: HSL1900_Head Medium parameters used: $f = 1880$ MHz; $\sigma = 1.42$ mho/m; $\epsilon_r = 38.6$; $\rho = 1000$ kg/m³

Phantom section: Left Section

DASY4 Configuration:

- Probe: ES3DV3 - SN3088; ConvF(5.07, 5.07, 5.07); Calibrated: 2006-12-12
- Sensor-Surface: 4mm (Mechanical Surface Detection)
- Electronics: DAE3 Sn569; Calibrated: 2006-12-8
- Phantom: SAM 12; Type: SAM V4.0; Serial: TP-1283
- Measurement SW: DASY4, V4.7 Build 44; Postprocessing SW: SEMCAD, V1.8 Build 171

Cheek position - Middle(BYD)/Area Scan (61x101x1): Measurement grid: dx=15mm, dy=15mm
Maximum value of SAR (interpolated) = 0.529 mW/g

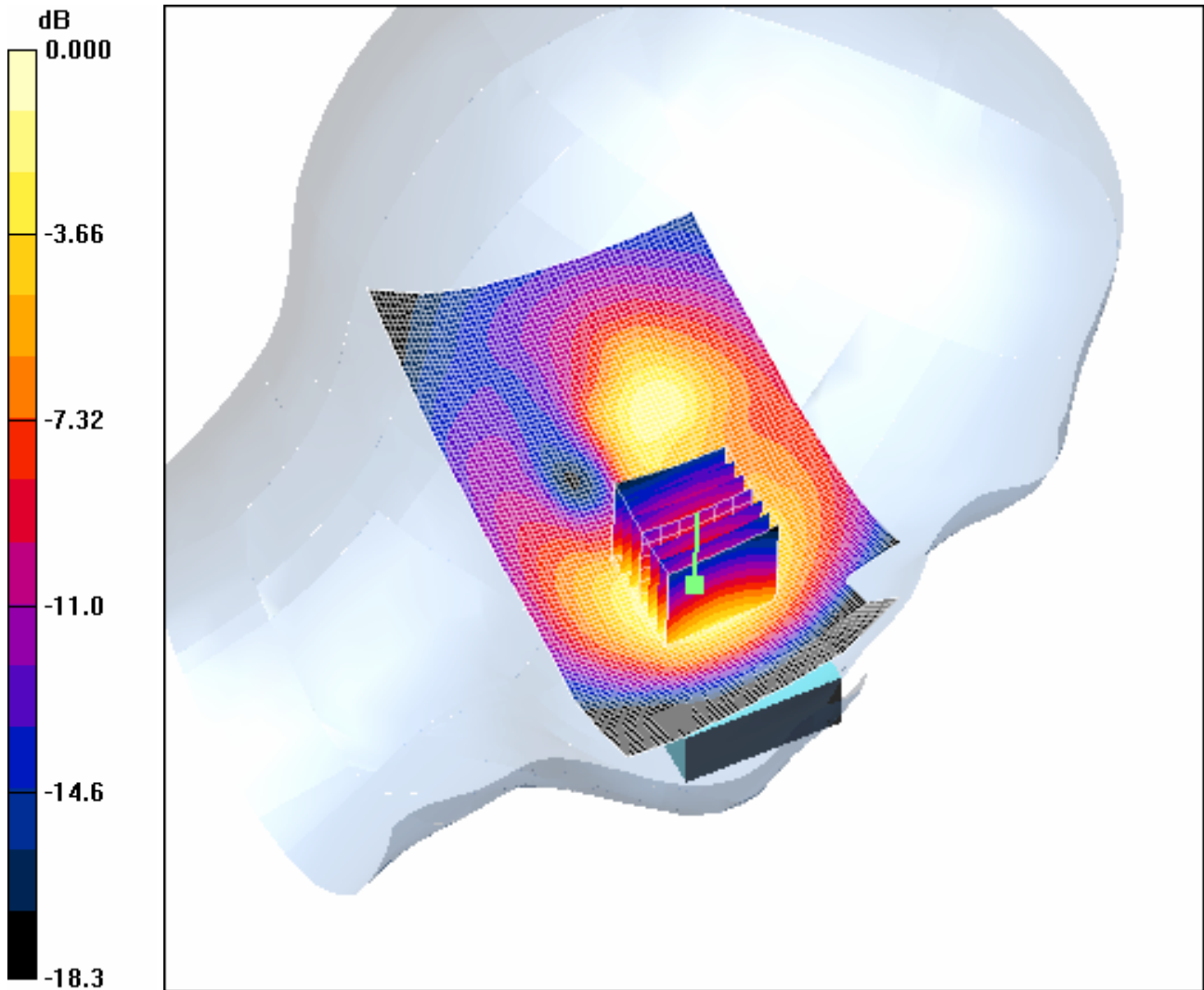
Cheek position - Middle(BYD)/Zoom Scan (7x7x7)/Cube 0: Measurement grid: dx=5mm, dy=5mm, dz=5mm

Reference Value = 11.4 V/m; Power Drift = -0.099 dB

Peak SAR (extrapolated) = 0.648 W/kg

SAR(1 g) = 0.451 mW/g; SAR(10 g) = 0.264 mW/g

Maximum value of SAR (measured) = 0.492 mW/g



0 dB = 0.492mW/g

4.1.13 PCS1900-LeftHandSide-Tilt-Middle

Date/Time: 2007-5-9 20:29:46

Test Laboratory: SGS-GSM

PCS1900-LeftHandSide-Tilt-Middle(BYD)

DUT: GSM10337924I; Type: Head; Serial: 0111380000015-3

Communication System: PCS1900-GSM Mode; Frequency: 1880 MHz; Duty Cycle: 1:8.3

Medium: HSL1900_Head Medium parameters used: $f = 1880 \text{ MHz}$; $\sigma = 1.42 \text{ mho/m}$; $r = 38.6$; $\rho = 1000 \text{ kg/m}^3$

Phantom section: Left Section

DASY4 Configuration:

- Probe: ES3DV3 - SN3088; ConvF(5.07, 5.07, 5.07); Calibrated: 2006-12-12
- Sensor-Surface: 4mm (Mechanical Surface Detection)
- Electronics: DAE3 Sn569; Calibrated: 2006-12-8
- Phantom: SAM 12; Type: SAM V4.0; Serial: TP-1283
- Measurement SW: DASY4, V4.7 Build 44; Postprocessing SW: SEMCAD, V1.8 Build 171

Tilt position - Middle(BYD)/Area Scan (61x101x1): Measurement grid: $dx=15\text{mm}$, $dy=15\text{mm}$

Maximum value of SAR (interpolated) = 0.319 mW/g

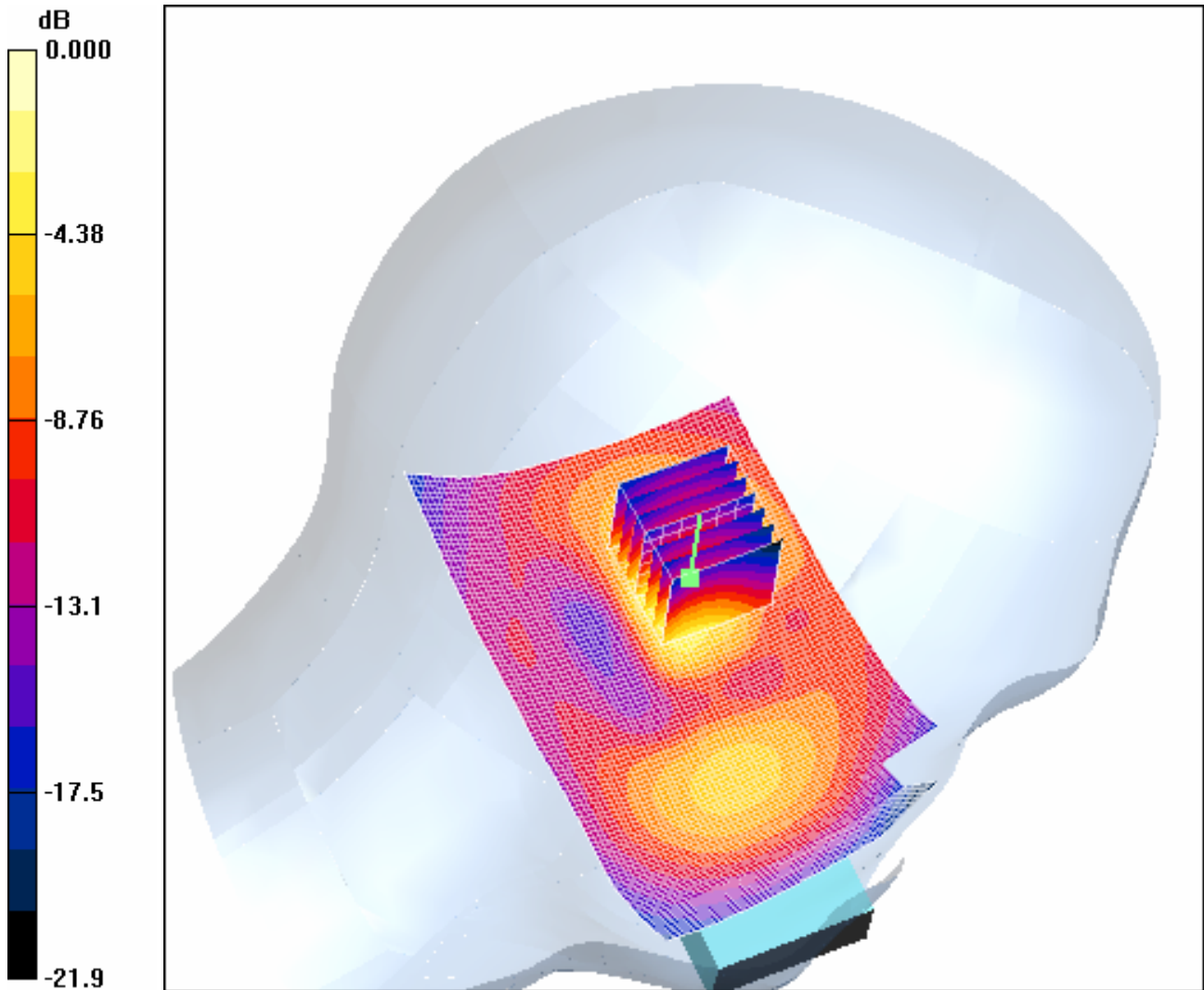
Tilt position - Middle(BYD)/Zoom Scan (7x7x7)/Cube 0: Measurement grid: $dx=5\text{mm}$, $dy=5\text{mm}$, $dz=5\text{mm}$

Reference Value = 10.5 V/m; Power Drift = -0.037 dB

Peak SAR (extrapolated) = 0.535 W/kg

SAR(1 g) = 0.278 mW/g; SAR(10 g) = 0.137 mW/g

Maximum value of SAR (measured) = 0.316 mW/g



0 dB = 0.316mW/g

4.1.14 PCS1900-LeftHandSide-WorstCase-Low

Date/Time: 2007-5-9 21:29:05

Test Laboratory: SGS-GSM

PCS1900-LeftHandSide-Cheek-Low(BYD)

DUT: GSM10337924I; Type: Head; Serial: 0111380000015-3

Communication System: PCS1900-GSM Mode; Frequency: 1850.2 MHz; Duty Cycle: 1:8.3

Medium: HSL1900_Head Medium parameters used: $f = 1850.2$ MHz; $\sigma = 1.38$ mho/m; $r = 38.8$; $\rho = 1000$ kg/m³

Phantom section: Left Section

DASY4 Configuration:

- Probe: ES3DV3 - SN3088; ConvF(5.07, 5.07, 5.07); Calibrated: 2006-12-12
- Sensor-Surface: 4mm (Mechanical Surface Detection)
- Electronics: DAE3 Sn569; Calibrated: 2006-12-8
- Phantom: SAM 12; Type: SAM V4.0; Serial: TP-1283
- Measurement SW: DASY4, V4.7 Build 44; Postprocessing SW: SEMCAD, V1.8 Build 171

Cheek position - Low(BYD)/Area Scan (61x101x1): Measurement grid: dx=15mm, dy=15mm

Maximum value of SAR (interpolated) = 0.553 mW/g

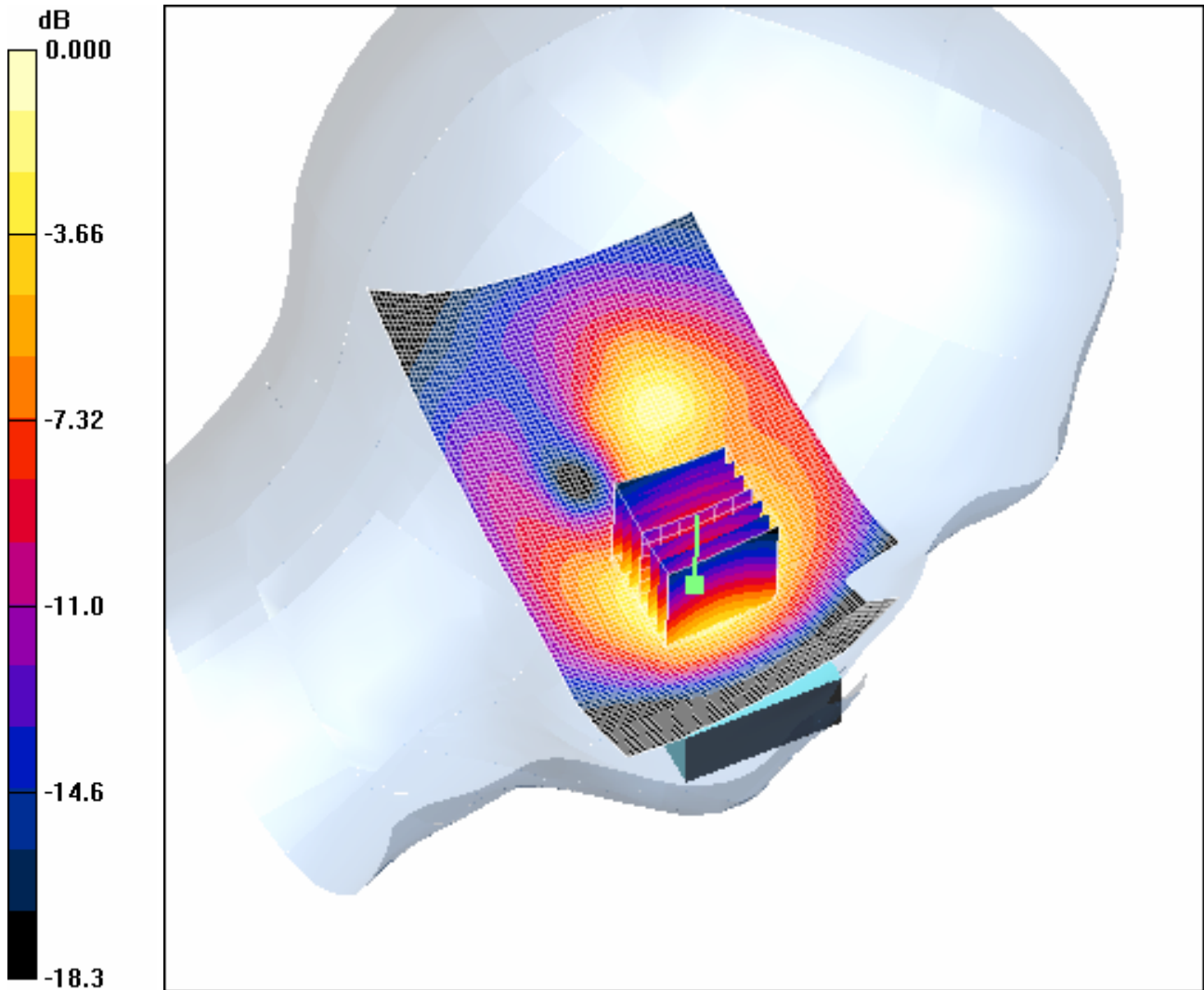
Cheek position - Low(BYD)/Zoom Scan (7x7x7) (7x7x7)/Cube 0: Measurement grid: dx=5mm, dy=5mm, dz=5mm

Reference Value = 11.1 V/m; Power Drift = -0.010 dB

Peak SAR (extrapolated) = 0.680 W/kg

SAR(1 g) = 0.473 mW/g; SAR(10 g) = 0.277 mW/g

Maximum value of SAR (measured) = 0.519 mW/g



0 dB = 0.519mW/g

4.1.15 PCS1900-LeftHandSide-WorstCase-High

Date/Time: 2007-5-9 20:55:12

Test Laboratory: SGS-GSM

PCS1900-LeftHandSide-Cheek-High(BYD)

DUT: GSM10337924I; Type: Head; Serial: 0111380000015-3

Communication System: PCS1900-GSM Mode; Frequency: 1909.8 MHz; Duty Cycle: 1:8.3

Medium: HSL1900_Head Medium parameters used: $f = 1909.8$ MHz; $\sigma = 1.45$ mho/m; $\epsilon_r = 38.5$; $\rho = 1000$ kg/m³

Phantom section: Left Section

DASY4 Configuration:

- Probe: ES3DV3 - SN3088; ConvF(5.07, 5.07, 5.07); Calibrated: 2006-12-12
- Sensor-Surface: 4mm (Mechanical Surface Detection)
- Electronics: DAE3 Sn569; Calibrated: 2006-12-8
- Phantom: SAM 12; Type: SAM V4.0; Serial: TP-1283
- Measurement SW: DASY4, V4.7 Build 44; Postprocessing SW: SEMCAD, V1.8 Build 171

Cheek position - High(BYD)/Area Scan (61x101x1): Measurement grid: dx=15mm, dy=15mm

Maximum value of SAR (interpolated) = 0.359 mW/g

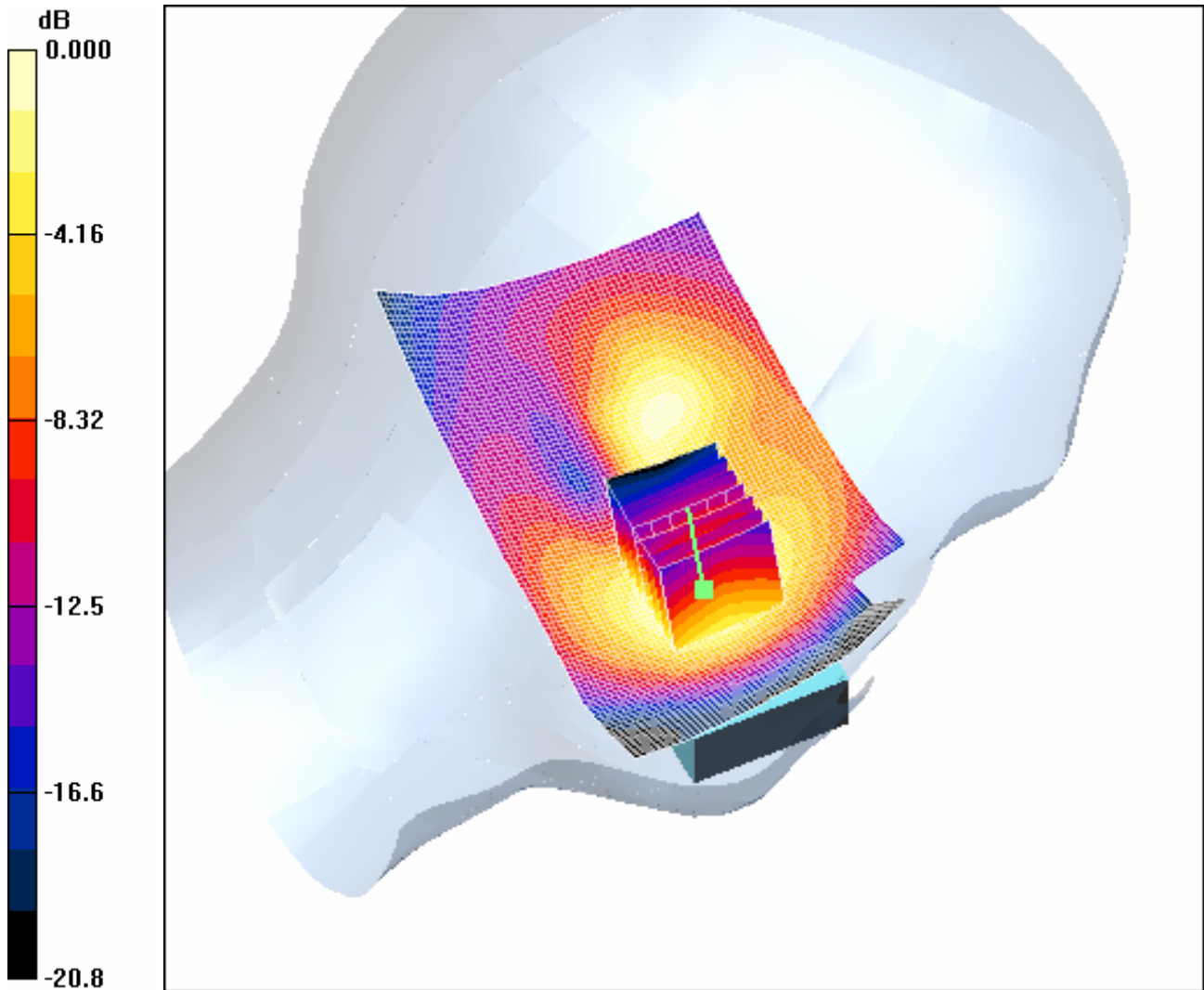
Cheek position - High(BYD)/Zoom Scan (7x7x7) (7x7x7)/Cube 0: Measurement grid: dx=5mm, dy=5mm, dz=5mm

Reference Value = 10.2 V/m; Power Drift = -0.056 dB

Peak SAR (extrapolated) = 0.454 W/kg

SAR(1 g) = 0.310 mW/g; SAR(10 g) = 0.181 mW/g

Maximum value of SAR (measured) = 0.343 mW/g



0 dB = 0.343mW/g

4.1.16 PCS1900-RightHandSide-Cheek-Middle

Date/Time: 2007-5-10 9:37:01

Test Laboratory: SGS-GSM

PCS900-RightHandSide-Cheek-Middle(BYD)

DUT: GSM10337924I; Type: Head; Serial: 0111380000015-3

Communication System: PCS1900-GSM Mode; Frequency: 1880 MHz; Duty Cycle: 1:8.3

Medium: HSL1900_Head Medium parameters used: $f = 1880$ MHz; $\sigma = 1.42$ mho/m; $\epsilon_r = 38.6$; $\rho = 1000$ kg/m³

Phantom section: Right Section

DASY4 Configuration:

- Probe: ES3DV3 - SN3088; ConvF(5.07, 5.07, 5.07); Calibrated: 2006-12-12
- Sensor-Surface: 4mm (Mechanical Surface Detection)
- Electronics: DAE3 Sn569; Calibrated: 2006-12-8
- Phantom: SAM 12; Type: SAM V4.0; Serial: TP-1283
- Measurement SW: DASY4, V4.7 Build 44; Postprocessing SW: SEMCAD, V1.8 Build 171

Cheek position - Middle(BYD)/Area Scan (61x101x1): Measurement grid: dx=15mm, dy=15mm
Maximum value of SAR (interpolated) = 0.486 mW/g

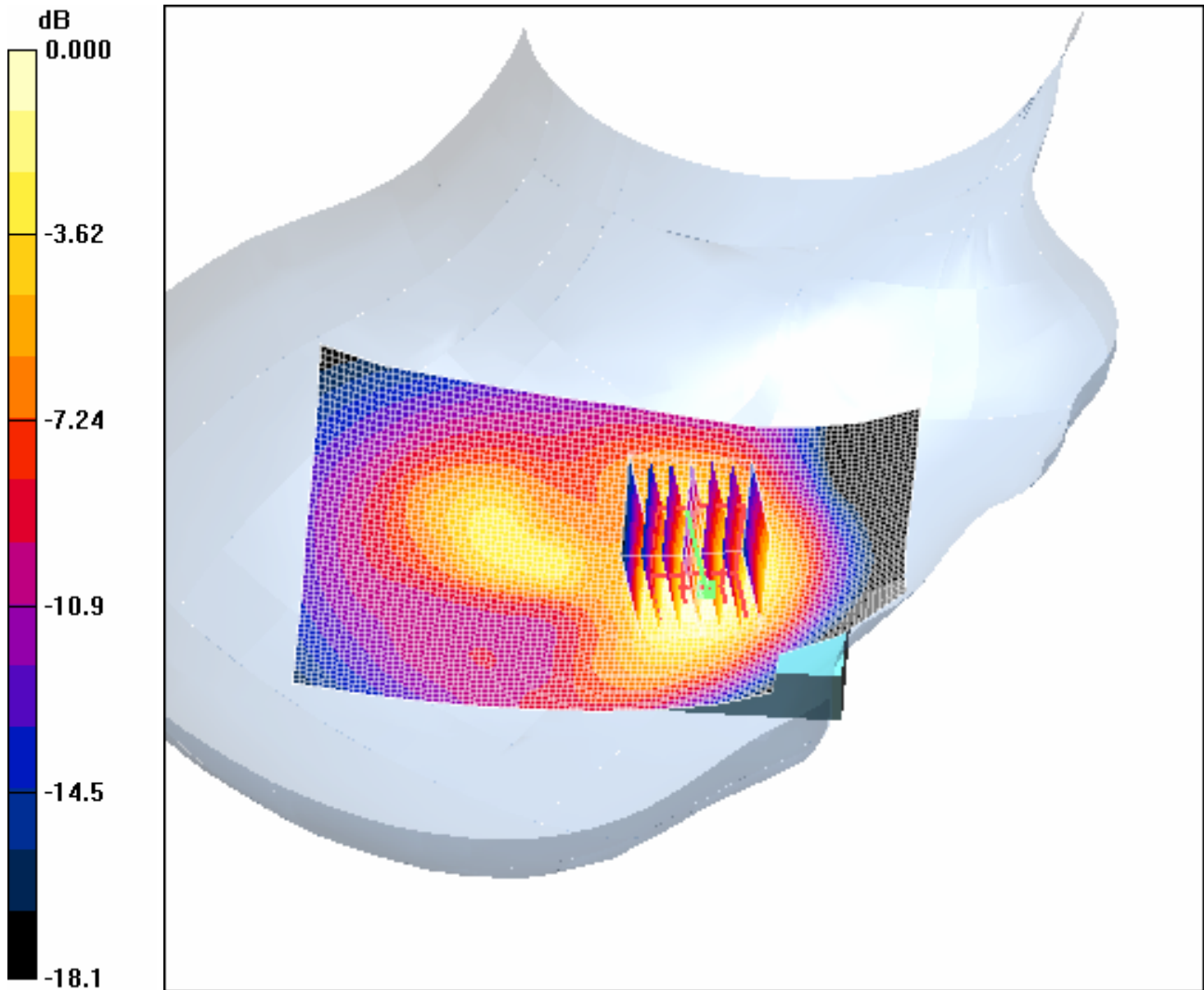
Cheek position - Middle(BYD)/Zoom Scan (7x7x7)/Cube 0: Measurement grid: dx=5mm,
dy=5mm, dz=5mm

Reference Value = 12.2 V/m; Power Drift = -0.028 dB

Peak SAR (extrapolated) = 0.630 W/kg

SAR(1 g) = 0.426 mW/g; SAR(10 g) = 0.250 mW/g

Maximum value of SAR (measured) = 0.473 mW/g



0 dB = 0.473mW/g

4.1.17 PCS1900-RightHandSide-Tilt-Middle

Date/Time: 2007-5-10 9:07:53

Test Laboratory: SGS-GSM

PCS900-RightHandSide-Tilt-Middle(BYD)

DUT: GSM10337924I; Type: Head; Serial: 0111380000015-3

Communication System: PCS1900-GSM Mode; Frequency: 1880 MHz; Duty Cycle: 1:8.3

Medium: HSL1900_Head Medium parameters used: $f = 1880 \text{ MHz}$; $\sigma = 1.42 \text{ mho/m}$; $r = 38.6$; $\rho = 1000 \text{ kg/m}^3$

Phantom section: Right Section

DASY4 Configuration:

- Probe: ES3DV3 - SN3088; ConvF(5.07, 5.07, 5.07); Calibrated: 2006-12-12
- Sensor-Surface: 4mm (Mechanical Surface Detection)
- Electronics: DAE3 Sn569; Calibrated: 2006-12-8
- Phantom: SAM 12; Type: SAM V4.0; Serial: TP-1283
- Measurement SW: DASY4, V4.7 Build 44; Postprocessing SW: SEMCAD, V1.8 Build 171

Tilt position - Middle(BYD)/Area Scan (61x101x1): Measurement grid: dx=15mm, dy=15mm

Maximum value of SAR (interpolated) = 0.233 mW/g

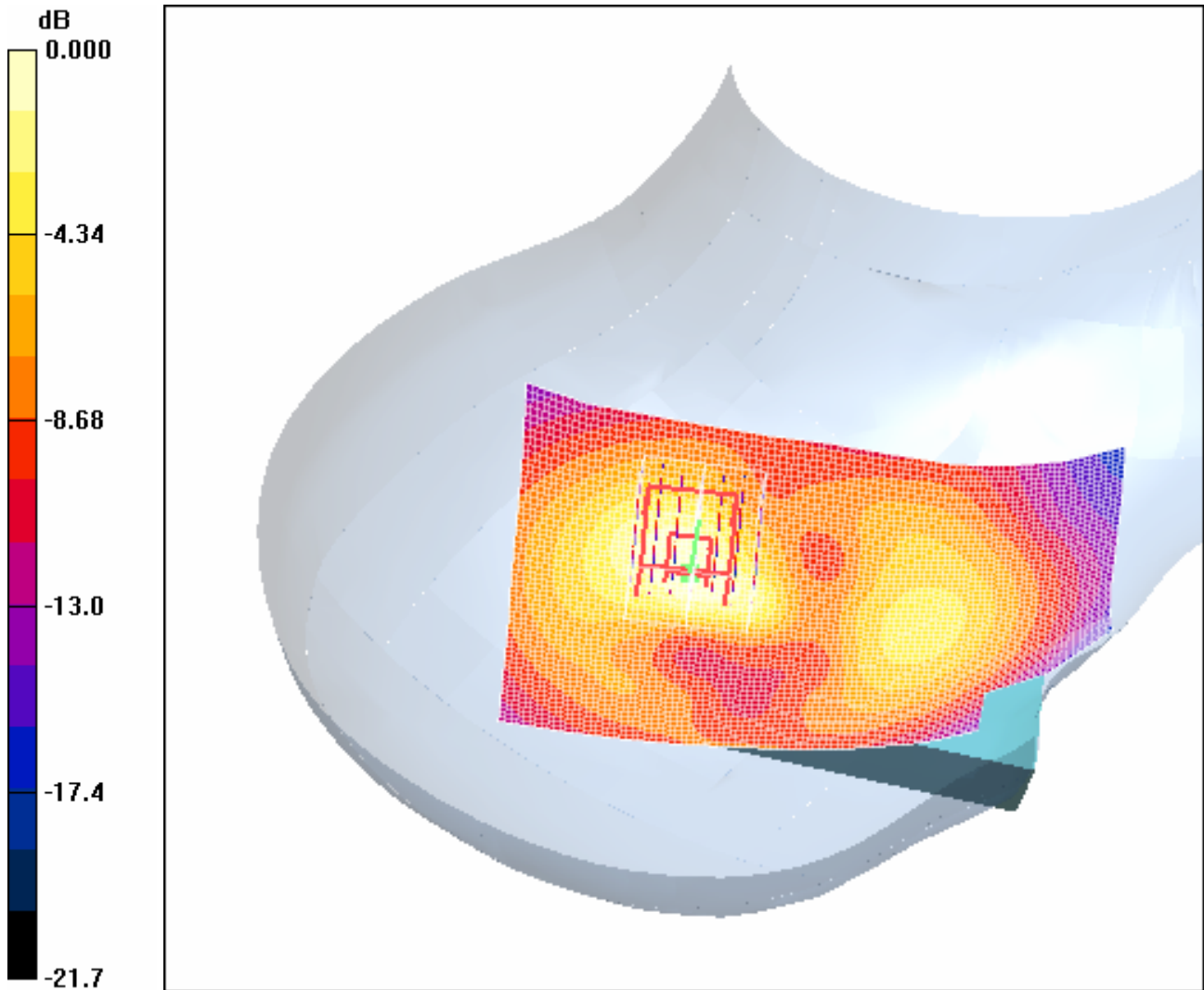
Tilt position - Middle(BYD)/Zoom Scan (7x7x7)/Cube 0: Measurement grid: dx=5mm, dy=5mm, dz=5mm

Reference Value = 10.8 V/m; Power Drift = -0.072 dB

Peak SAR (extrapolated) = 0.357 W/kg

SAR(1 g) = 0.199 mW/g; SAR(10 g) = 0.105 mW/g

Maximum value of SAR (measured) = 0.218 mW/g



0 dB = 0.218mW/g

4.1.18 PCS1900-RightHandSide-WorstCase-Low

Date/Time: 2007-5-10 9:59:43

Test Laboratory: SGS-GSM

PCS900-RightHandSide-Cheek-Low(BYD)

DUT: GSM10337924I; Type: Head; Serial: 0111380000015-3

Communication System: PCS1900-GSM Mode; Frequency: 1880 MHz; Duty Cycle: 1:8.3

Medium: HSL1900_Head Medium parameters used: $f = 1880$ MHz; $\sigma = 1.42$ mho/m; $r = 38.6$; $\rho = 1000$ kg/m³

Phantom section: Right Section

DASY4 Configuration:

- Probe: ES3DV3 - SN3088; ConvF(5.07, 5.07, 5.07); Calibrated: 2006-12-12
- Sensor-Surface: 4mm (Mechanical Surface Detection)
- Electronics: DAE3 Sn569; Calibrated: 2006-12-8
- Phantom: SAM 12; Type: SAM V4.0; Serial: TP-1283
- Measurement SW: DASY4, V4.7 Build 44; Postprocessing SW: SEMCAD, V1.8 Build 171

Cheek position - Low(BYD)/Area Scan (61x91x1): Measurement grid: dx=15mm, dy=15mm

Maximum value of SAR (interpolated) = 0.519 mW/g

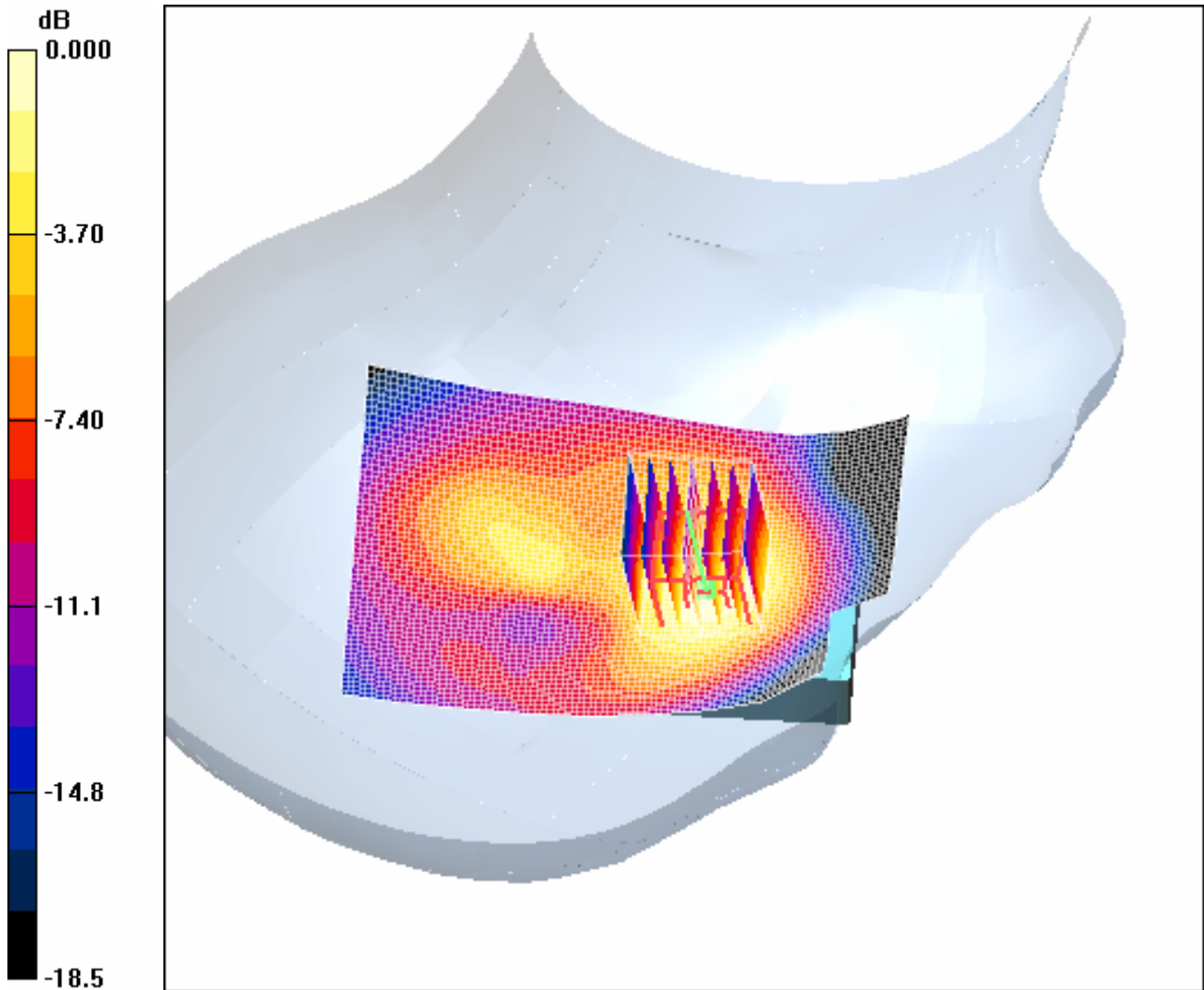
Cheek position - Low(BYD)/Zoom Scan (7x7x7) (7x7x7)/Cube 0: Measurement grid: dx=5mm, dy=5mm, dz=5mm

Reference Value = 12.0 V/m; Power Drift = 0.015 dB

Peak SAR (extrapolated) = 0.683 W/kg

SAR(1 g) = 0.469 mW/g; SAR(10 g) = 0.276 mW/g

Maximum value of SAR (measured) = 0.517 mW/g



0 dB = 0.517mW/g

4.1.19 PCS1900-RightHandSide-WorstCase-High

Date/Time: 2007-5-10 10:30:00

Test Laboratory: SGS-GSM

PCS900-RightHandSide-Cheek-High(BYD)

DUT: GSM10337924I; Type: Head; Serial: 0111380000015-3

Communication System: PCS1900-GSM Mode; Frequency: 1909.8 MHz; Duty Cycle: 1:8.3

Medium: HSL1900_Head Medium parameters used: $f = 1909.8$ MHz; $\sigma = 1.45$ mho/m; $\epsilon_r = 38.5$; $\rho = 1000$ kg/m³

Phantom section: Right Section

DASY4 Configuration:

- Probe: ES3DV3 - SN3088; ConvF(5.07, 5.07, 5.07); Calibrated: 2006-12-12
- Sensor-Surface: 4mm (Mechanical Surface Detection)
- Electronics: DAE3 Sn569; Calibrated: 2006-12-8
- Phantom: SAM 12; Type: SAM V4.0; Serial: TP-1283
- Measurement SW: DASY4, V4.7 Build 44; Postprocessing SW: SEMCAD, V1.8 Build 171

Cheek position - High(BYD)/Area Scan (61x101x1): Measurement grid: dx=15mm, dy=15mm

Maximum value of SAR (interpolated) = 0.331 mW/g

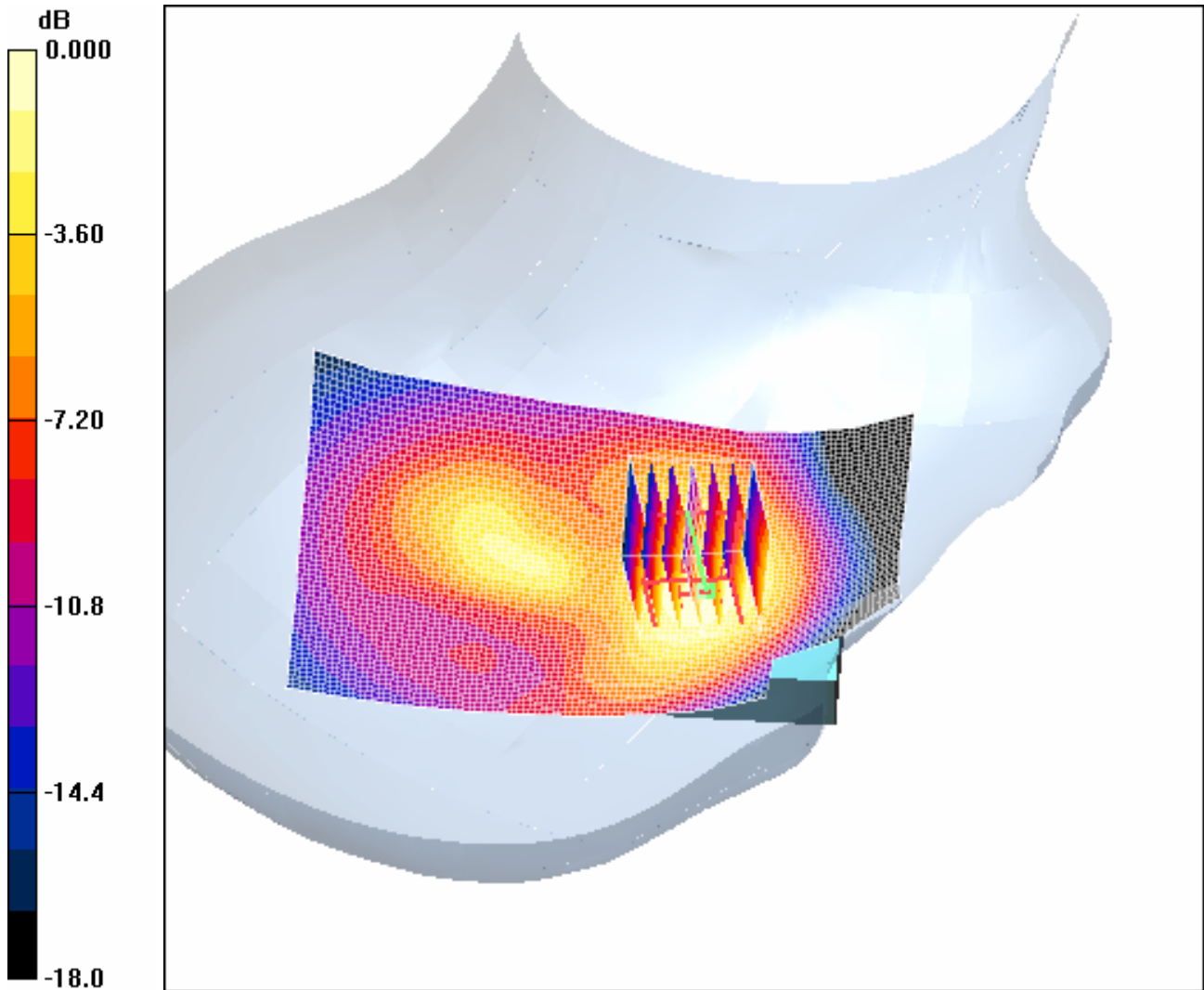
Cheek position - High(BYD)/Zoom Scan (7x7x7) (7x7x7)/Cube 0: Measurement grid: dx=5mm, dy=5mm, dz=5mm

Reference Value = 10.9 V/m; Power Drift = -0.115 dB

Peak SAR (extrapolated) = 0.439 W/kg

SAR(1 g) = 0.297 mW/g; SAR(10 g) = 0.173 mW/g

Maximum value of SAR (measured) = 0.329 mW/g



0 dB = 0.329mW/g

4.1.20 PCS1900-Body-Worn -Low

Date/Time: 2007-5-11 16:21:32

Test Laboratory: SGS-GSM

PCS1900-Body-Worn-Low-2.0cm(BYD)

DUT: GSM10337924I; Type: Head; Serial: 0111380000015-3

Communication System: PCS1900-GSM Mode; Frequency: 1850.2 MHz; Duty Cycle: 1:8.3

Medium: 1900-Body Medium parameters used: $f = 1850.2$ MHz; $\sigma = 1.53$ mho/m; $r = 50.9$; $\rho = 1000$ kg/m³

Phantom section: Flat Section

DASY4 Configuration:

- Probe: ES3DV3 - SN3088; ConvF(4.68, 4.68, 4.68); Calibrated: 2006-12-12
- Sensor-Surface: 4mm (Mechanical Surface Detection)
- Electronics: DAE3 Sn569; Calibrated: 2006-12-8
- Phantom: SAM 12; Type: SAM V4.0; Serial: TP-1283
- Measurement SW: DASY4, V4.7 Build 44; Postprocessing SW: SEMCAD, V1.8 Build 171

Body Worn - Low(BYD)/Area Scan (51x91x1): Measurement grid: dx=15mm, dy=15mm

Maximum value of SAR (interpolated) = 0.432 mW/g

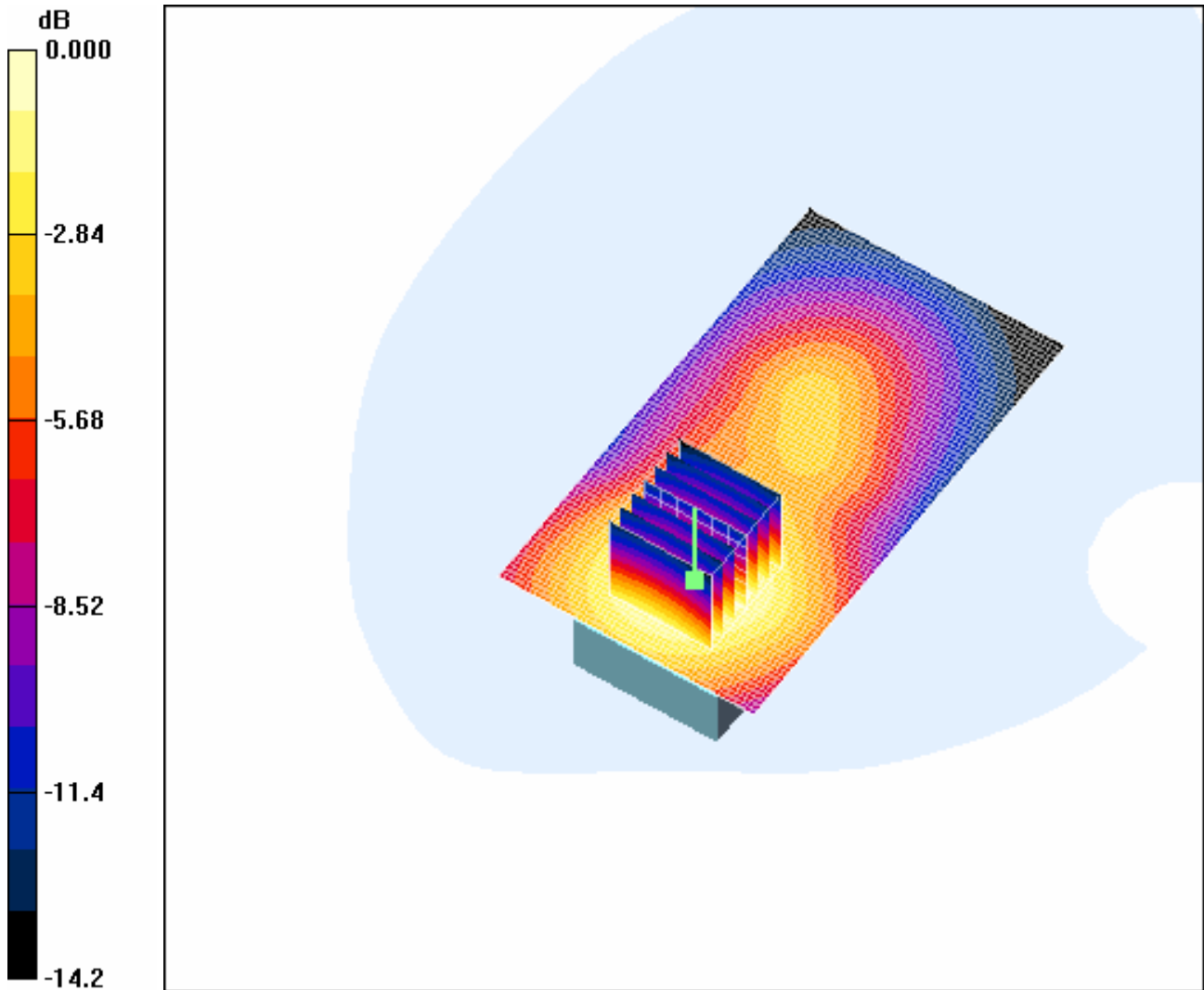
Body Worn - Low(BYD)/Zoom Scan (7x7x7) (7x7x7)/Cube 0: Measurement grid: dx=5mm, dy=5mm, dz=5mm

Reference Value = 9.64 V/m; Power Drift = 0.009 dB

Peak SAR (extrapolated) = 0.608 W/kg

SAR(1 g) = 0.393 mW/g; SAR(10 g) = 0.248 mW/g

Maximum value of SAR (measured) = 0.422 mW/g



0 dB = 0.422mW/g

4.1.21 PCS1900-Body-Worn -Middle

Date/Time: 2007-5-11 15:58:59

Test Laboratory: SGS-GSM

PCS1900-Body-Worn-Middle-2.0cm(BYD)

DUT: GSM10337924I; Type: Head; Serial: 0111380000015-3

Communication System: PCS1900-GSM Mode; Frequency: 1880 MHz; Duty Cycle: 1:8.3

Medium: 1900-Body Medium parameters used: $f = 1880$ MHz; $\sigma = 1.56$ mho/m; $r = 50.8$; $\rho = 1000$ kg/m³

Phantom section: Flat Section

DASY4 Configuration:

- Probe: ES3DV3 - SN3088; ConvF(4.68, 4.68, 4.68); Calibrated: 2006-12-12
- Sensor-Surface: 4mm (Mechanical Surface Detection)
- Electronics: DAE3 Sn569; Calibrated: 2006-12-8
- Phantom: SAM 12; Type: SAM V4.0; Serial: TP-1283
- Measurement SW: DASY4, V4.7 Build 44; Postprocessing SW: SEMCAD, V1.8 Build 171

Body Worn - Middle(BYD)/Area Scan (51x91x1): Measurement grid: dx=15mm, dy=15mm

Maximum value of SAR (interpolated) = 0.479 mW/g

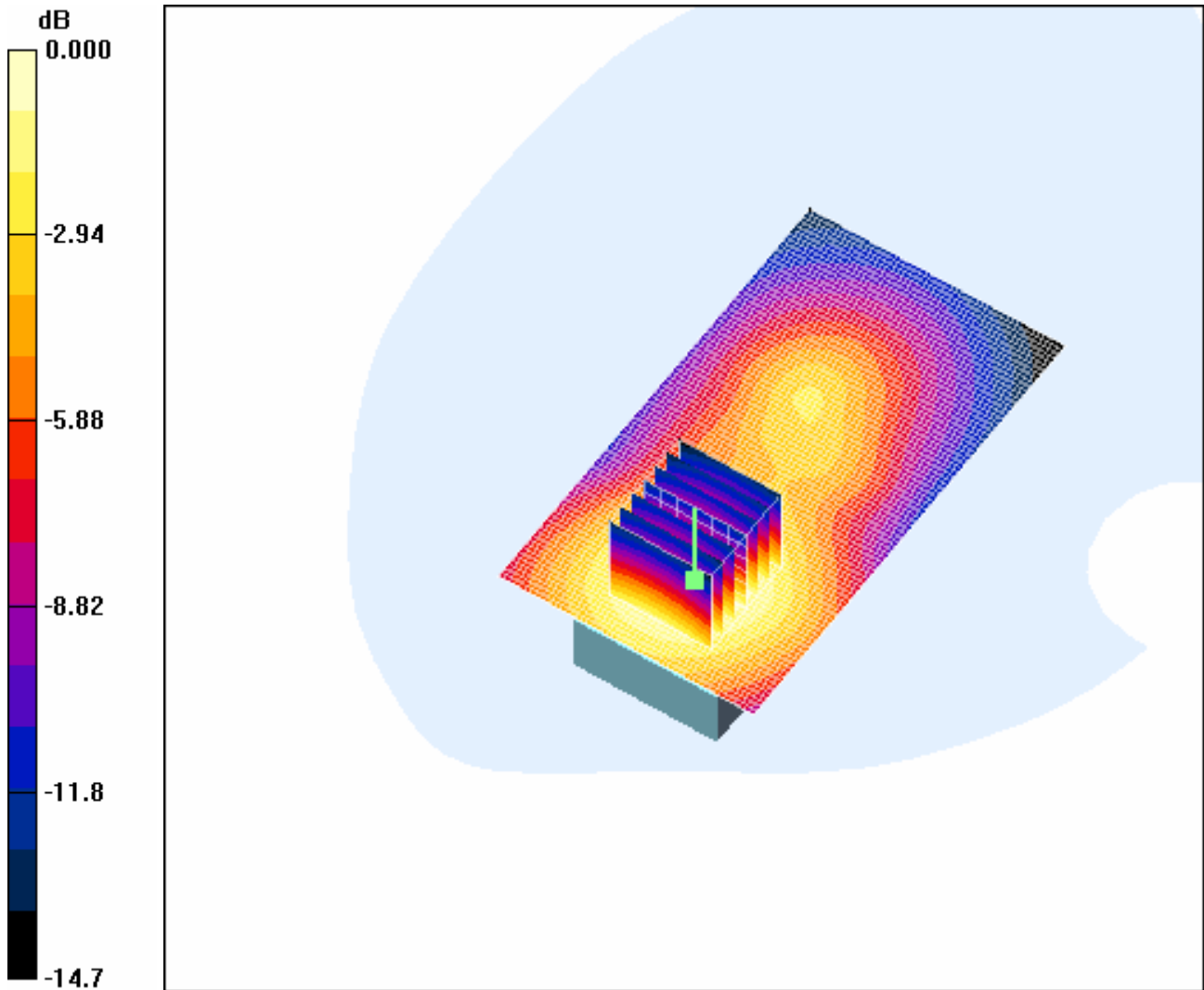
Body Worn - Middle(BYD)/Zoom Scan (7x7x7)/Cube 0: Measurement grid: dx=5mm, dy=5mm, dz=5mm

Reference Value = 10.4 V/m; Power Drift = -0.044 dB

Peak SAR (extrapolated) = 0.693 W/kg

SAR(1 g) = 0.438 mW/g; SAR(10 g) = 0.273 mW/g

Maximum value of SAR (measured) = 0.471 mW/g



0 dB = 0.471mW/g

4.1.22 PCS1900-Body-Worn -High

Date/Time: 2007-5-11 16:43:30

Test Laboratory: SGS-GSM

PCS1900-Body-Worn-High-2.0cm(BYD)

DUT: GSM10337924I; Type: Head; Serial: 0111380000015-3

Communication System: PCS1900-GSM Mode; Frequency: 1909.8 MHz; Duty Cycle: 1:8.3

Medium: 1900-Body Medium parameters used: $f = 1909.8$ MHz; $\sigma = 1.6$ mho/m; $\epsilon_r = 50.7$; $\rho = 1000$ kg/m³

Phantom section: Flat Section

DASY4 Configuration:

- Probe: ES3DV3 - SN3088; ConvF(4.68, 4.68, 4.68); Calibrated: 2006-12-12
- Sensor-Surface: 4mm (Mechanical Surface Detection)
- Electronics: DAE3 Sn569; Calibrated: 2006-12-8
- Phantom: SAM 12; Type: SAM V4.0; Serial: TP-1283
- Measurement SW: DASY4, V4.7 Build 44; Postprocessing SW: SEMCAD, V1.8 Build 171

Body Worn - High(BYD)/Area Scan (51x91x1): Measurement grid: dx=15mm, dy=15mm

Maximum value of SAR (interpolated) = 0.417 mW/g

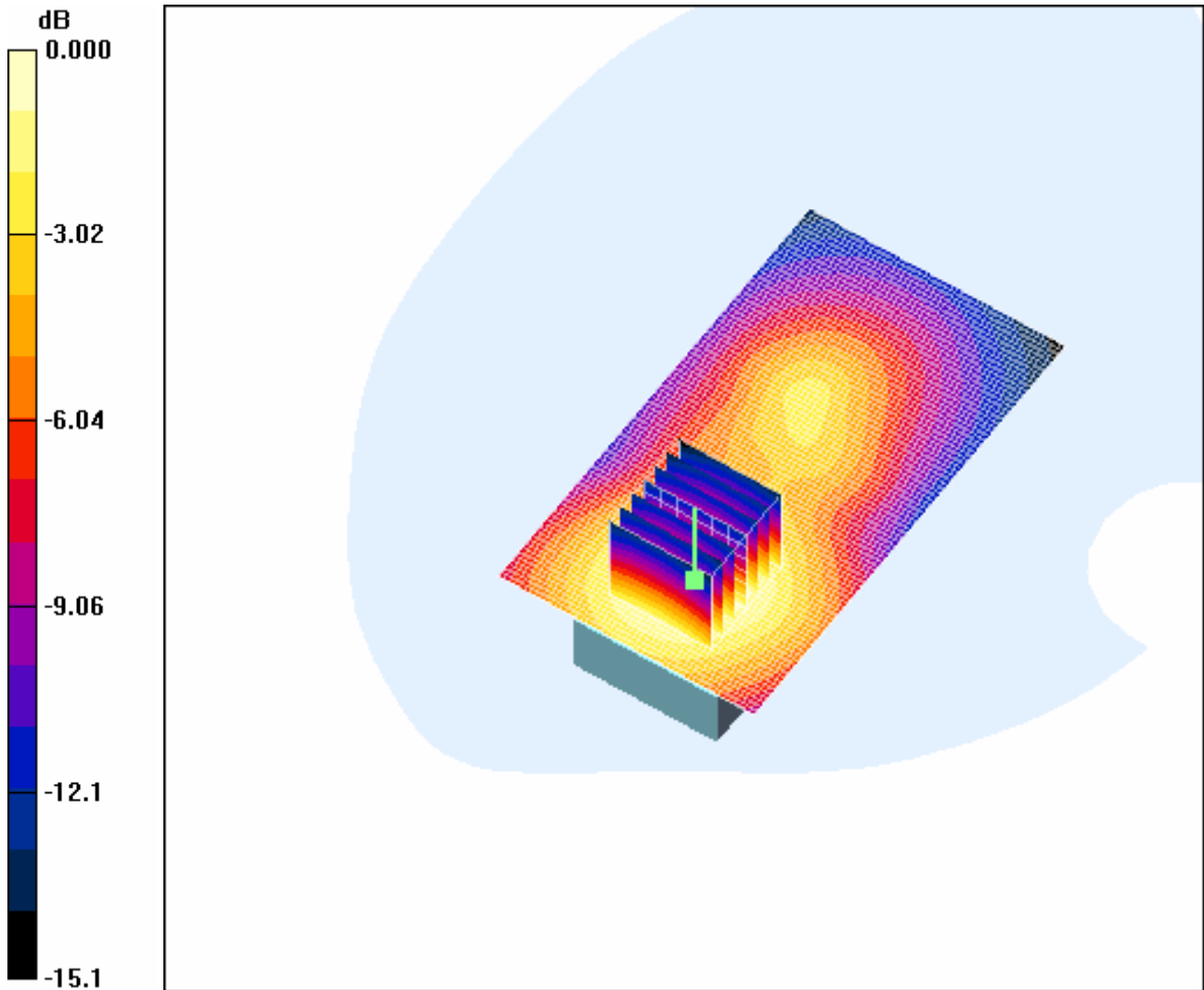
Body Worn - High(BYD)/Zoom Scan (7x7x7) (7x7x7)/Cube 0: Measurement grid: dx=5mm, dy=5mm, dz=5mm

Reference Value = 9.68 V/m; Power Drift = 0.008 dB

Peak SAR (extrapolated) = 0.609 W/kg

SAR(1 g) = 0.381 mW/g; SAR(10 g) = 0.235 mW/g

Maximum value of SAR (measured) = 0.411 mW/g



0 dB = 0.411mW/g

4.2 For JN Battery

4.2.1 GSM850-LeftHandSide-Cheek-Middle

Date/Time: 2007-4-30 11:12:17

Test Laboratory: SGS-GSM

GSM850-LeftHandSide-Cheek-Middle(JN)

DUT: GSM10337924I; Type: Head; Serial: 0111380000015-3

Communication System: GSM850-GSM Mode; Frequency: 836.4 MHz; Duty Cycle: 1:8.3

Medium: HSL850-Head Medium parameters used: $f = 836.4$ MHz; $\sigma = 0.881$ mho/m; $\epsilon_r = 42.4$; $\rho = 1000$ kg/m³

Phantom section: Left Section

DASY4 Configuration:

- Probe: ES3DV3 - SN3088; ConvF(6, 6, 6); Calibrated: 2006-12-12
- Sensor-Surface: 4mm (Mechanical Surface Detection)
- Electronics: DAE3 Sn569; Calibrated: 2006-12-8
- Phantom: SAM 12; Type: SAM V4.0; Serial: TP-1283
- Measurement SW: DASY4, V4.7 Build 44; Postprocessing SW: SEMCAD, V1.8 Build 171

Cheek position - Mid(JN)/Area Scan (61x101x1): Measurement grid: dx=15mm, dy=15mm

Maximum value of SAR (interpolated) = 1.31 mW/g

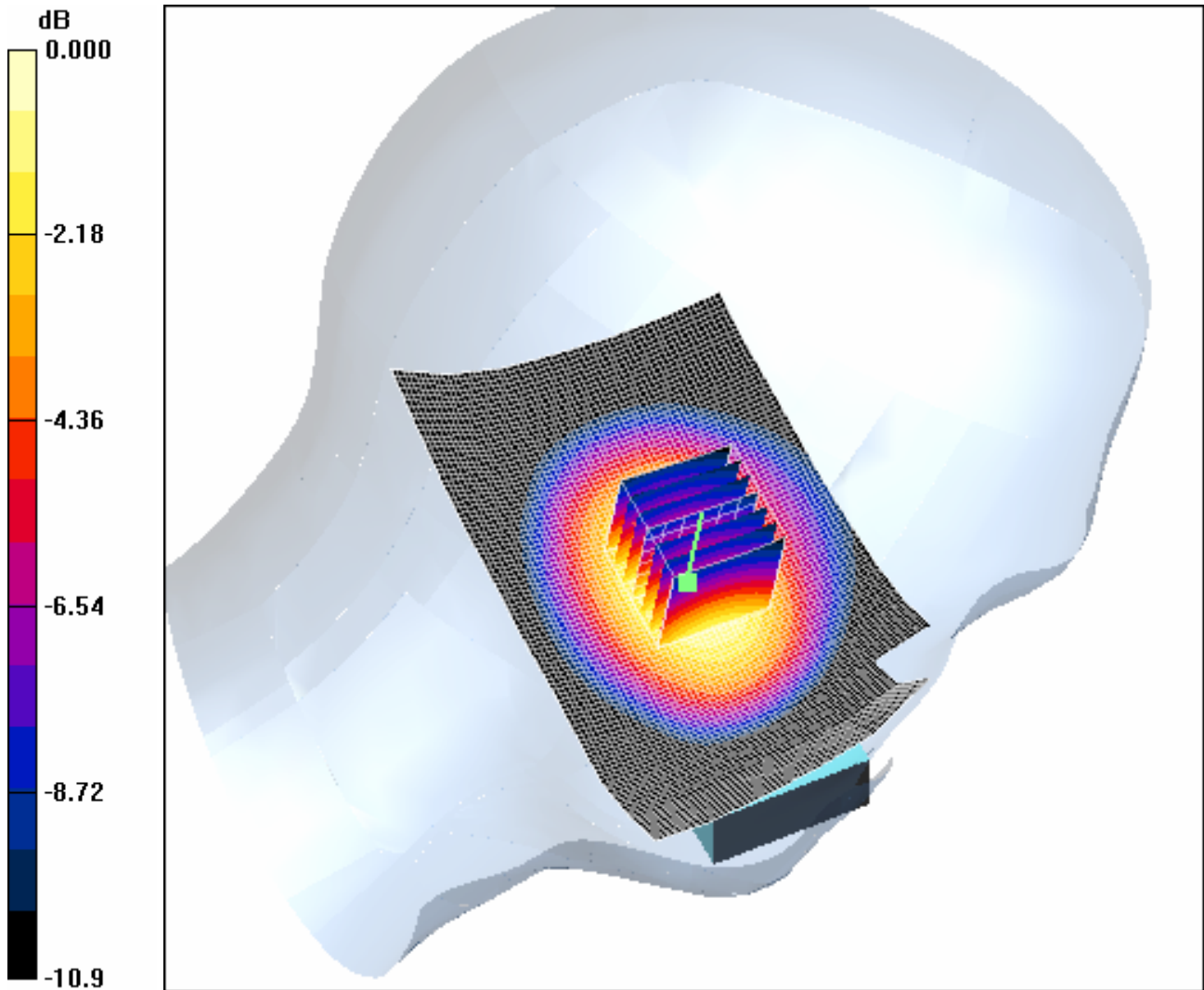
Cheek position - Mid(JN)/Zoom Scan (7x7x7) (7x7x7)/Cube 0: Measurement grid: dx=5mm, dy=5mm, dz=5mm

Reference Value = 30.1 V/m; Power Drift = -0.151 dB

Peak SAR (extrapolated) = 1.66 W/kg

SAR(1 g) = 1.21 mW/g; SAR(10 g) = 0.813 mW/g

Maximum value of SAR (measured) = 1.30 mW/g



0 dB = 1.30mW/g

4.2.2 GSM850-LeftHandSide-Tilt-Middle

Date/Time: 2007-4-30 10:47:02

Test Laboratory: SGS-GSM

GSM850-LeftHandSide-Tilt-Middle(JN)

DUT: GSM10337924I; Type: Head; Serial: 0111380000015-3

Communication System: GSM850-GSM Mode; Frequency: 836.4 MHz; Duty Cycle: 1:8.3

Medium: HSL850-Head Medium parameters used: $f = 836.4$ MHz; $\sigma = 0.881$ mho/m; $r = 42.4$; $\rho = 1000$ kg/m³

Phantom section: Left Section

DASY4 Configuration:

- Probe: ES3DV3 - SN3088; ConvF(6, 6, 6); Calibrated: 2006-12-12
- Sensor-Surface: 4mm (Mechanical Surface Detection)
- Electronics: DAE3 Sn569; Calibrated: 2006-12-8
- Phantom: SAM 12; Type: SAM V4.0; Serial: TP-1283
- Measurement SW: DASY4, V4.7 Build 44; Postprocessing SW: SEMCAD, V1.8 Build 171

Tilt position - Mid(JN)/Area Scan (61x101x1): Measurement grid: dx=15mm, dy=15mm

Maximum value of SAR (interpolated) = 0.782 mW/g

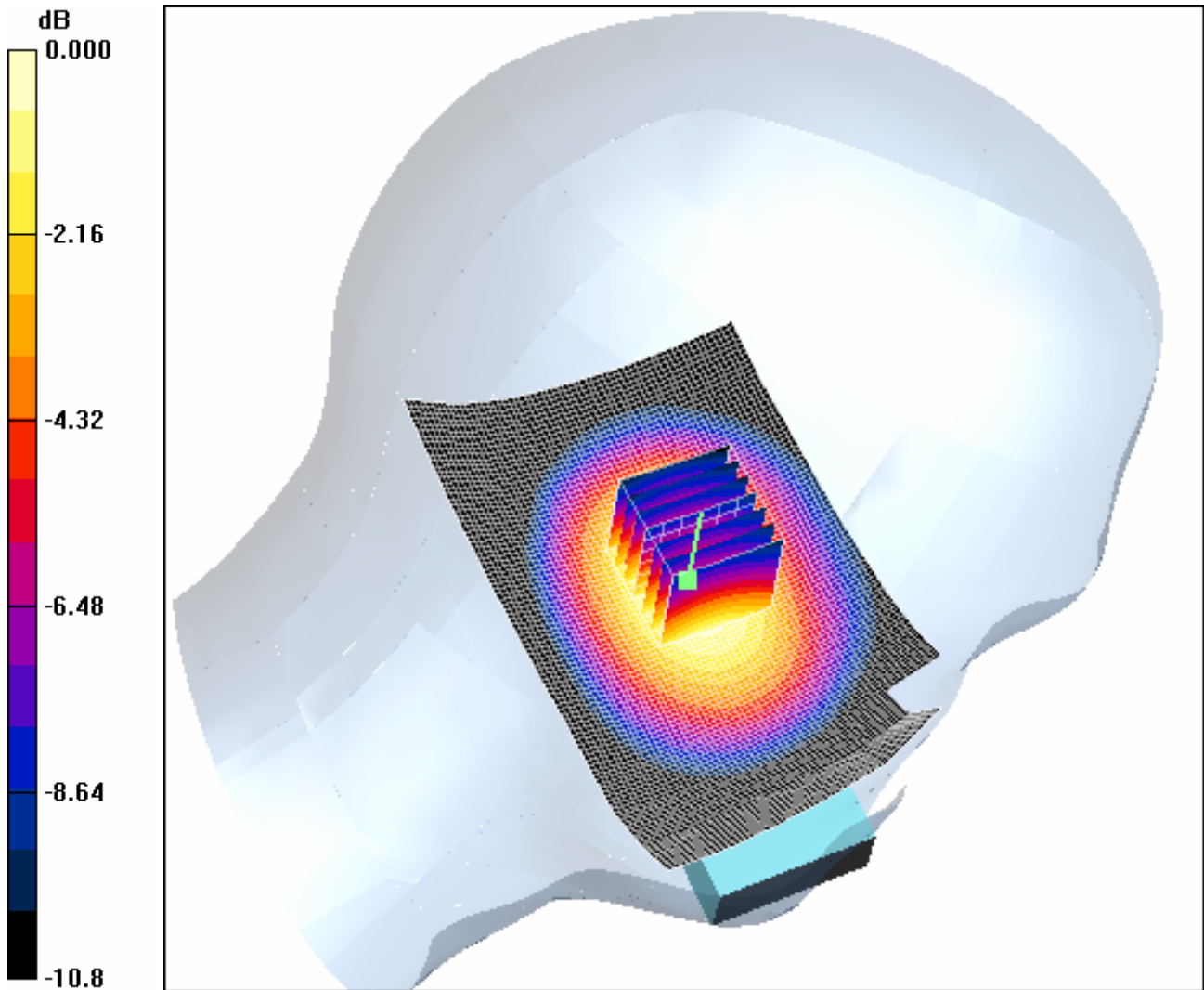
Tilt position - Mid(JN)/Zoom Scan (7x7x7) (7x7x7)/Cube 0: Measurement grid: dx=5mm, dy=5mm, dz=5mm

Reference Value = 27.4 V/m; Power Drift = -0.138 dB

Peak SAR (extrapolated) = 0.996 W/kg

SAR(1 g) = 0.730 mW/g; SAR(10 g) = 0.498 mW/g

Maximum value of SAR (measured) = 0.783 mW/g



0 dB = 0.783mW/g

4.2.3 GSM850-LeftHandSide-WorstCase-Low

Date/Time: 2007-4-30 11:37:24

Test Laboratory: SGS-GSM

GSM850-LeftHandSide-Cheek-Low(JN)

DUT: GSM10337924I; Type: Head; Serial: 0111380000015-3

Communication System: GSM850-GSM Mode; Frequency: 824.2 MHz; Duty Cycle: 1:8.3

Medium: HSL850-Head Medium parameters used: $f = 824.2$ MHz; $\sigma = 0.867$ mho/m; $r = 42.6$; $\rho = 1000$ kg/m³

Phantom section: Left Section

DASY4 Configuration:

- Probe: ES3DV3 - SN3088; ConvF(6, 6, 6); Calibrated: 2006-12-12
- Sensor-Surface: 4mm (Mechanical Surface Detection)
- Electronics: DAE3 Sn569; Calibrated: 2006-12-8
- Phantom: SAM 12; Type: SAM V4.0; Serial: TP-1283
- Measurement SW: DASY4, V4.7 Build 44; Postprocessing SW: SEMCAD, V1.8 Build 171

Cheek position - Low(JN)/Area Scan (61x101x1): Measurement grid: dx=15mm, dy=15mm

Maximum value of SAR (interpolated) = 1.14 mW/g

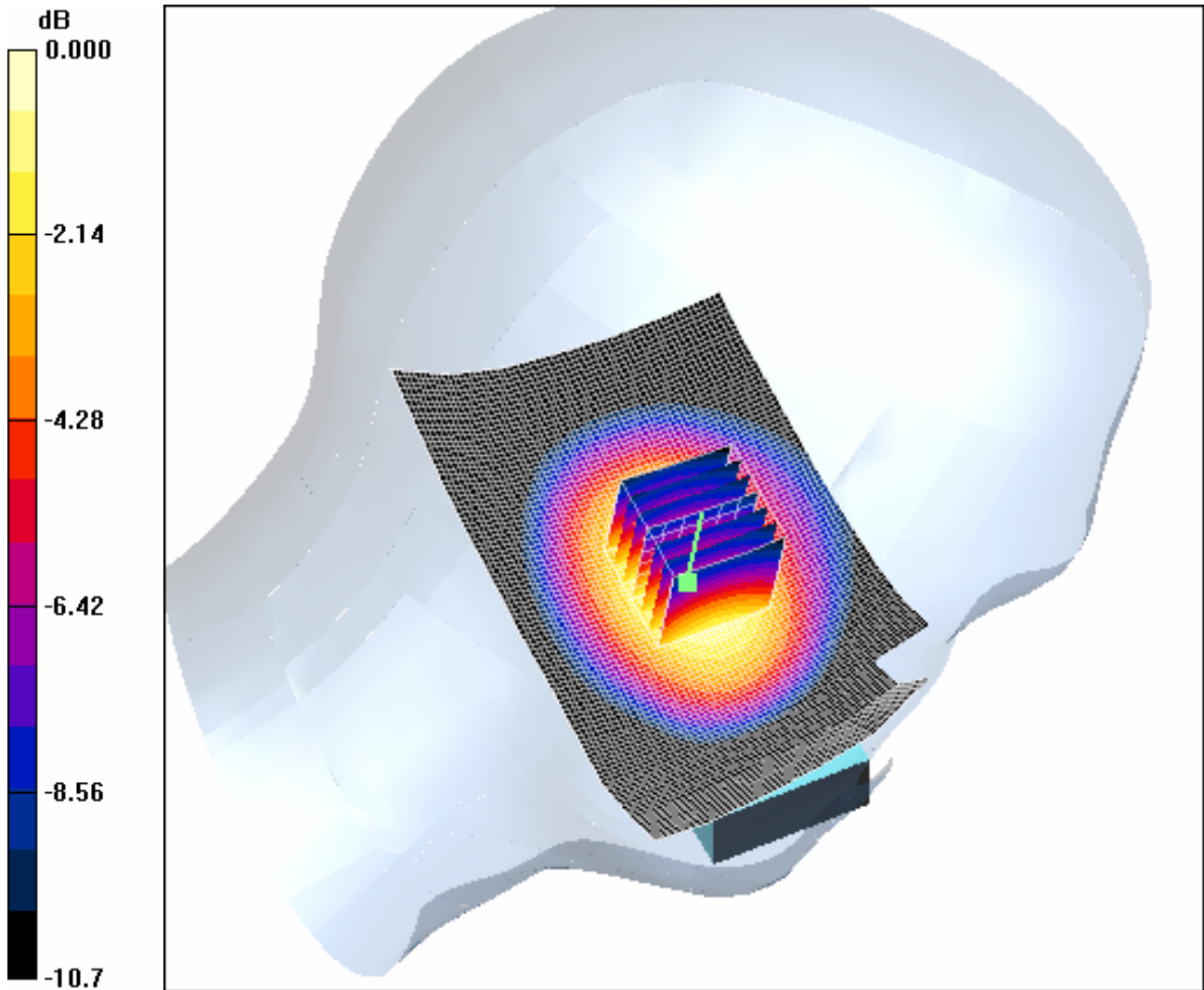
Cheek position - Low(JN)/Zoom Scan (7x7x7)/Cube 0: Measurement grid: dx=5mm, dy=5mm, dz=5mm

Reference Value = 28.6 V/m; Power Drift = -0.054 dB

Peak SAR (extrapolated) = 1.50 W/kg

SAR(1 g) = 1.08 mW/g; SAR(10 g) = 0.728 mW/g

Maximum value of SAR (measured) = 1.16 mW/g



0 dB = 1.16mW/g

4.2.4 GSM850-LeftHandSide-WorstCase-High

Date/Time: 2007-4-30 12:21:54

Test Laboratory: SGS-GSM

GSM850-LeftHandSide-Cheek-High(JN)

DUT: GSM10337924I; Type: Head; Serial: 0111380000015-3

Communication System: GSM850-GSM Mode; Frequency: 848.8 MHz; Duty Cycle: 1:8.3

Medium: HSL850-Head Medium parameters used: $f = 848.8 \text{ MHz}$; $\sigma = 0.898 \text{ mho/m}$; $r = 42.4$; $\rho = 1000 \text{ kg/m}^3$

Phantom section: Left Section

DASY4 Configuration:

- Probe: ES3DV3 - SN3088; ConvF(6, 6, 6); Calibrated: 2006-12-12
- Sensor-Surface: 4mm (Mechanical Surface Detection)
- Electronics: DAE3 Sn569; Calibrated: 2006-12-8
- Phantom: SAM 12; Type: SAM V4.0; Serial: TP-1283
- Measurement SW: DASY4, V4.7 Build 44; Postprocessing SW: SEMCAD, V1.8 Build 171

Cheek position - High(JN)/Area Scan (61x101x1): Measurement grid: dx=15mm, dy=15mm
Maximum value of SAR (interpolated) = 0.848 mW/g

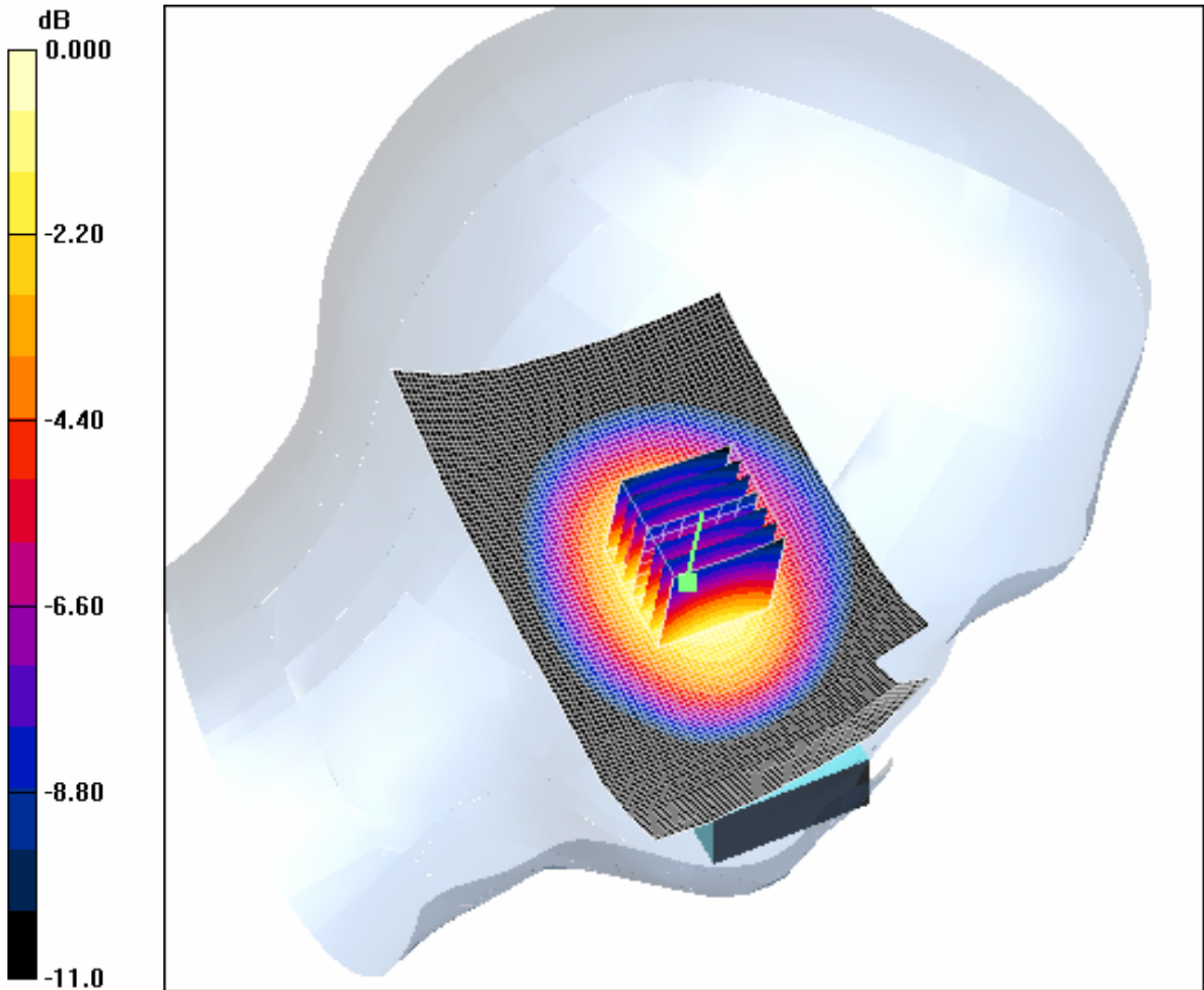
Cheek position - High(JN)/Zoom Scan (7x7x7) (7x7x7)/Cube 0: Measurement grid: dx=5mm, dy=5mm, dz=5mm

Reference Value = 23.7 V/m; Power Drift = 0.007 dB

Peak SAR (extrapolated) = 1.09 W/kg

SAR(1 g) = 0.793 mW/g; SAR(10 g) = 0.534 mW/g

Maximum value of SAR (measured) = 0.856 mW/g



0 dB = 0.856mW/g

4.2.5 GSM850-RightHandSide-Cheek-Middle

Date/Time: 2007-4-30 13:23:55

Test Laboratory: SGS-GSM

GSM850-RightHandSide-Cheek-Middle(JN)

DUT: GSM10337924I; Type: Head; Serial: 0111380000015-3

Communication System: GSM850-GSM Mode; Frequency: 836.4 MHz; Duty Cycle: 1:8.3

Medium: HSL850-Head Medium parameters used: $f = 836.4$ MHz; $\sigma = 0.881$ mho/m; $r = 42.4$; $\rho = 1000$ kg/m³

Phantom section: Right Section

DASY4 Configuration:

- Probe: ES3DV3 - SN3088; ConvF(6, 6, 6); Calibrated: 2006-12-12
- Sensor-Surface: 4mm (Mechanical Surface Detection)
- Electronics: DAE3 Sn569; Calibrated: 2006-12-8
- Phantom: SAM 12; Type: SAM V4.0; Serial: TP-1283
- Measurement SW: DASY4, V4.7 Build 44; Postprocessing SW: SEMCAD, V1.8 Build 171

Cheek position - Middle(JN)/Area Scan (61x101x1): Measurement grid: dx=15mm, dy=15mm
Maximum value of SAR (interpolated) = 1.35 mW/g

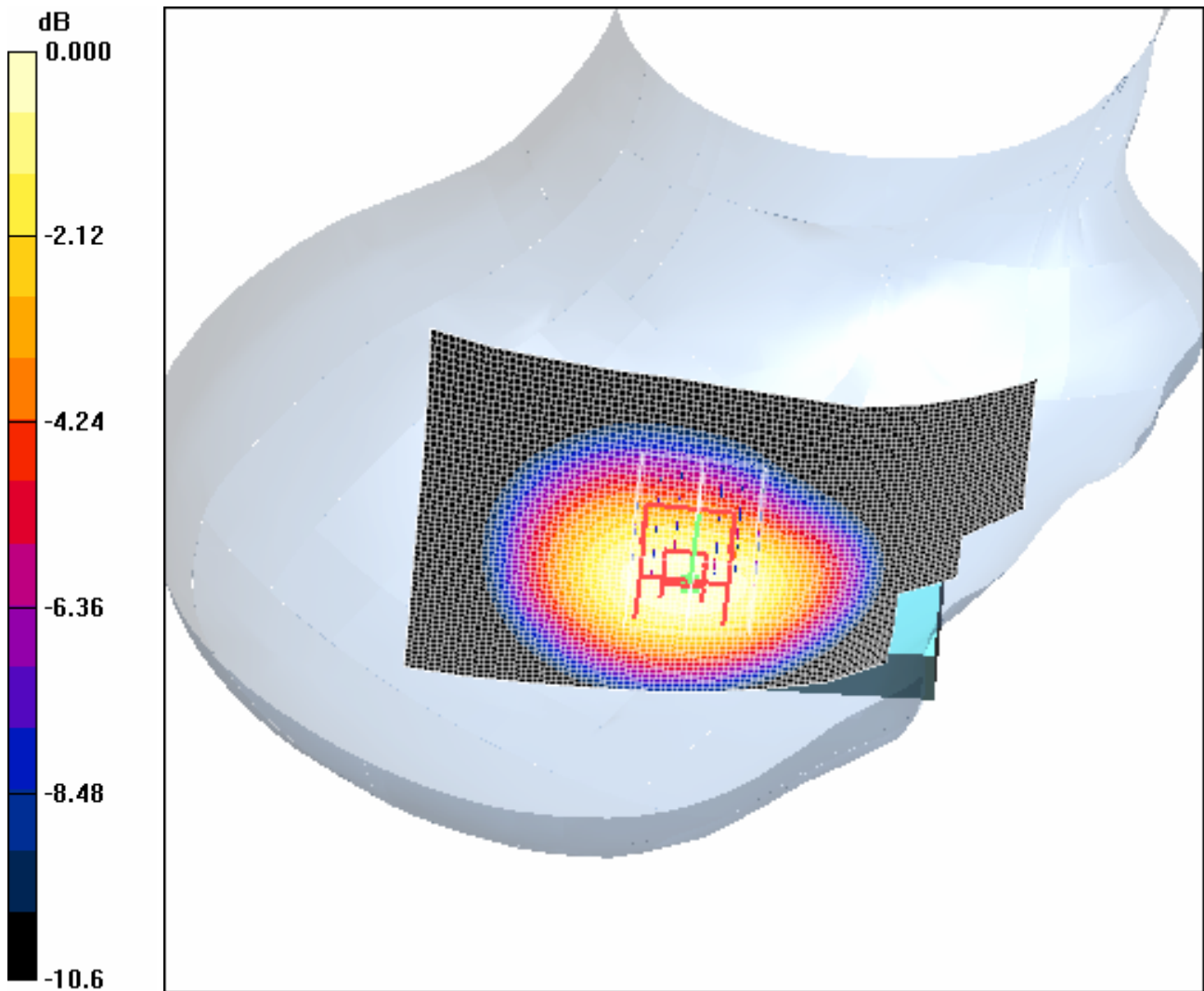
Cheek position - Middle(JN)/Zoom Scan (7x7x7)/Cube 0: Measurement grid: dx=5mm, dy=5mm, dz=5mm

Reference Value = 29.0 V/m; Power Drift = -0.172 dB

Peak SAR (extrapolated) = 1.67 W/kg

SAR(1 g) = 1.24 mW/g; SAR(10 g) = 0.838 mW/g

Maximum value of SAR (measured) = 1.33 mW/g



0 dB = 1.33mW/g

4.2.6 GSM850-RightHandSide-Tilt-Middle

Date/Time: 2007-4-30 14:51:42

Test Laboratory: SGS-GSM

GSM850-RightHandSide-Tilt-Middle(JN)

DUT: GSM10337924I; Type: Head; Serial: 0111380000015-3

Communication System: GSM850-GSM Mode; Frequency: 836.4 MHz; Duty Cycle: 1:8.3

Medium: HSL850-Head Medium parameters used: $f = 836.4 \text{ MHz}$; $\rho = 0.881 \text{ mho/m}$; $r = 42.4$; $\rho = 1000 \text{ kg/m}^3$

Phantom section: Right Section

DASY4 Configuration:

- Probe: ES3DV3 - SN3088; ConvF(6, 6, 6); Calibrated: 2006-12-12
- Sensor-Surface: 4mm (Mechanical Surface Detection)
- Electronics: DAE3 Sn569; Calibrated: 2006-12-8
- Phantom: SAM 12; Type: SAM V4.0; Serial: TP-1283
- Measurement SW: DASY4, V4.7 Build 44; Postprocessing SW: SEMCAD, V1.8 Build 171

Tilt position - Middle(JN)/Area Scan (61x101x1): Measurement grid: dx=15mm, dy=15mm

Maximum value of SAR (interpolated) = 0.709 mW/g

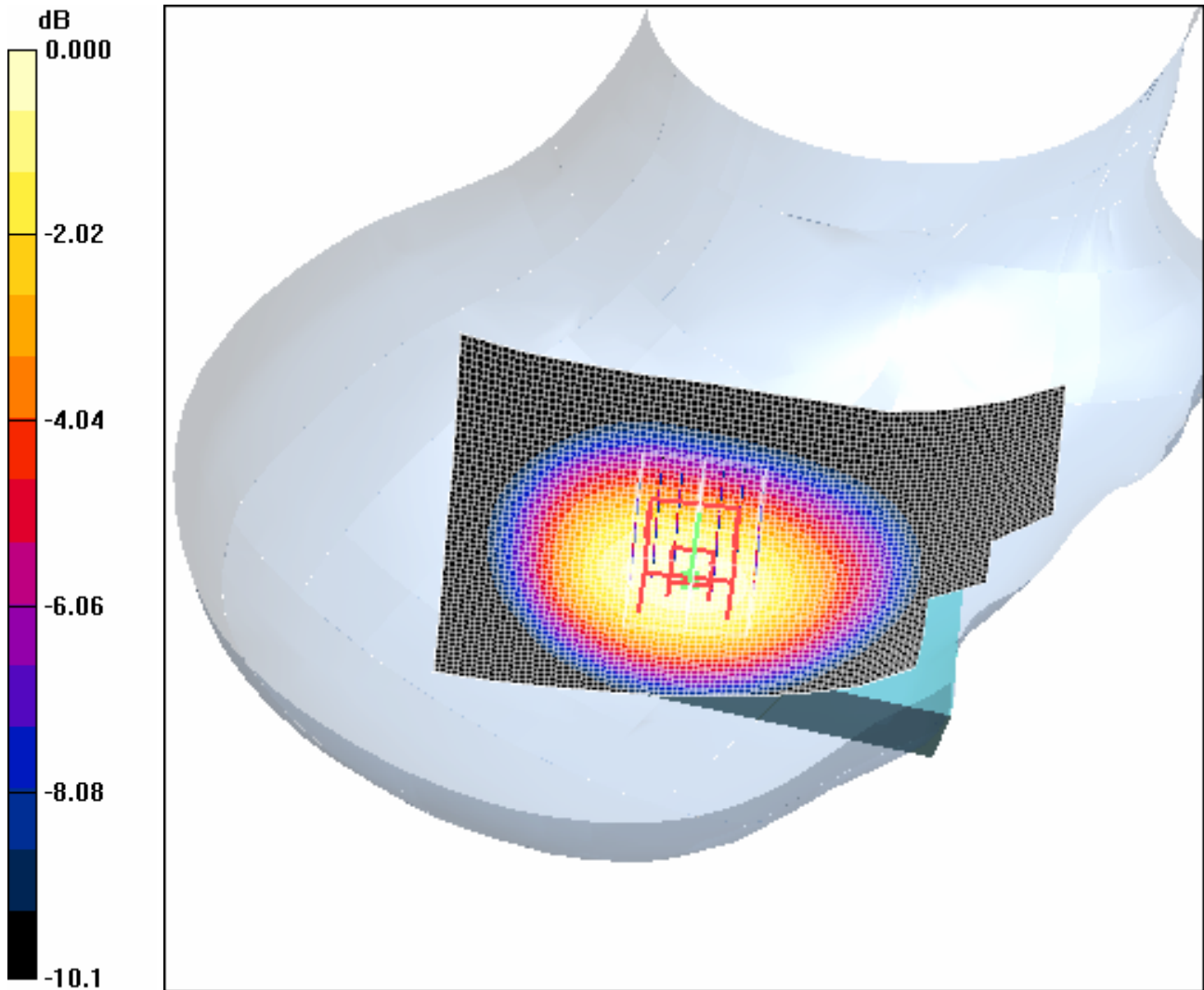
Tilt position - Middle(JN)/Zoom Scan (7x7x7)/Cube 0: Measurement grid: dx=5mm, dy=5mm, dz=5mm

Reference Value = 25.0 V/m; Power Drift = -0.023 dB

Peak SAR (extrapolated) = 0.880 W/kg

SAR(1 g) = 0.660 mW/g; SAR(10 g) = 0.457 mW/g

Maximum value of SAR (measured) = 0.707 mW/g



0 dB = 0.707mW/g

4.2.7 GSM850-RightHandSide-WorstCase-Low

Date/Time: 2007-4-30 14:22:06

Test Laboratory: SGS-GSM

GSM850-RightHandSide-Cheek-Low(JN)

DUT: GSM10337924I; Type: Head; Serial: 0111380000015-3

Communication System: GSM850-GSM Mode; Frequency: 824.2 MHz; Duty Cycle: 1:8.3

Medium: HSL850-Head Medium parameters used: $f = 824.2$ MHz; $\sigma = 0.867$ mho/m; $r = 42.6$; $\rho = 1000$ kg/m³

Phantom section: Right Section

DASY4 Configuration:

- Probe: ES3DV3 - SN3088; ConvF(6, 6, 6); Calibrated: 2006-12-12
- Sensor-Surface: 4mm (Mechanical Surface Detection)
- Electronics: DAE3 Sn569; Calibrated: 2006-12-8
- Phantom: SAM 12; Type: SAM V4.0; Serial: TP-1283
- Measurement SW: DASY4, V4.7 Build 44; Postprocessing SW: SEMCAD, V1.8 Build 171

Cheek position - Low(JN)/Area Scan (61x101x1): Measurement grid: dx=15mm, dy=15mm

Maximum value of SAR (interpolated) = 1.15 mW/g

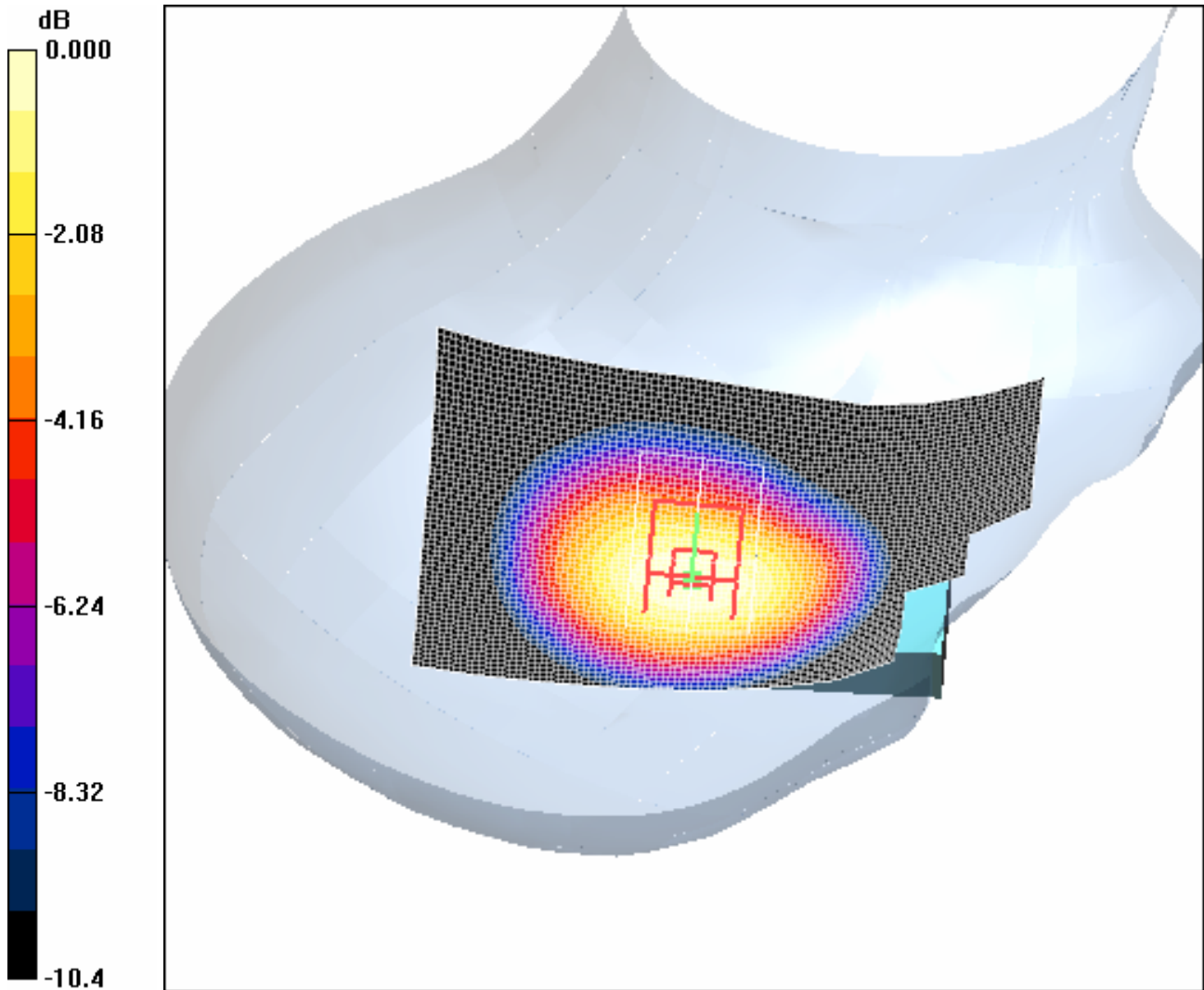
Cheek position - Low(JN)/Zoom Scan (7x7x7) (7x7x7)/Cube 0: Measurement grid: dx=5mm, dy=5mm, dz=5mm

Reference Value = 27.2 V/m; Power Drift = 0.008 dB

Peak SAR (extrapolated) = 1.43 W/kg

SAR(1 g) = 1.06 mW/g; SAR(10 g) = 0.723 mW/g

Maximum value of SAR (measured) = 1.15 mW/g



0 dB = 1.15mW/g

4.2.8 GSM850-RightHandSide-WorstCase-High

Date/Time: 2007-4-30 13:48:47

Test Laboratory: SGS-GSM

GSM850-RightHandSide-Cheek-High(JN)

DUT: GSM10337924I; Type: Head; Serial: 0111380000015-3

Communication System: GSM850-GSM Mode; Frequency: 848.8 MHz; Duty Cycle: 1:8.3

Medium: HSL850-Head Medium parameters used: $f = 848.8 \text{ MHz}$; $\sigma = 0.898 \text{ mho/m}$; $r = 42.4$; $\rho = 1000 \text{ kg/m}^3$

Phantom section: Right Section

DASY4 Configuration:

- Probe: ES3DV3 - SN3088; ConvF(6, 6, 6); Calibrated: 2006-12-12
- Sensor-Surface: 4mm (Mechanical Surface Detection)
- Electronics: DAE3 Sn569; Calibrated: 2006-12-8
- Phantom: SAM 12; Type: SAM V4.0; Serial: TP-1283
- Measurement SW: DASY4, V4.7 Build 44; Postprocessing SW: SEMCAD, V1.8 Build 171

Cheek position - High(JN)/Area Scan (61x101x1): Measurement grid: dx=15mm, dy=15mm
Maximum value of SAR (interpolated) = 0.920 mW/g

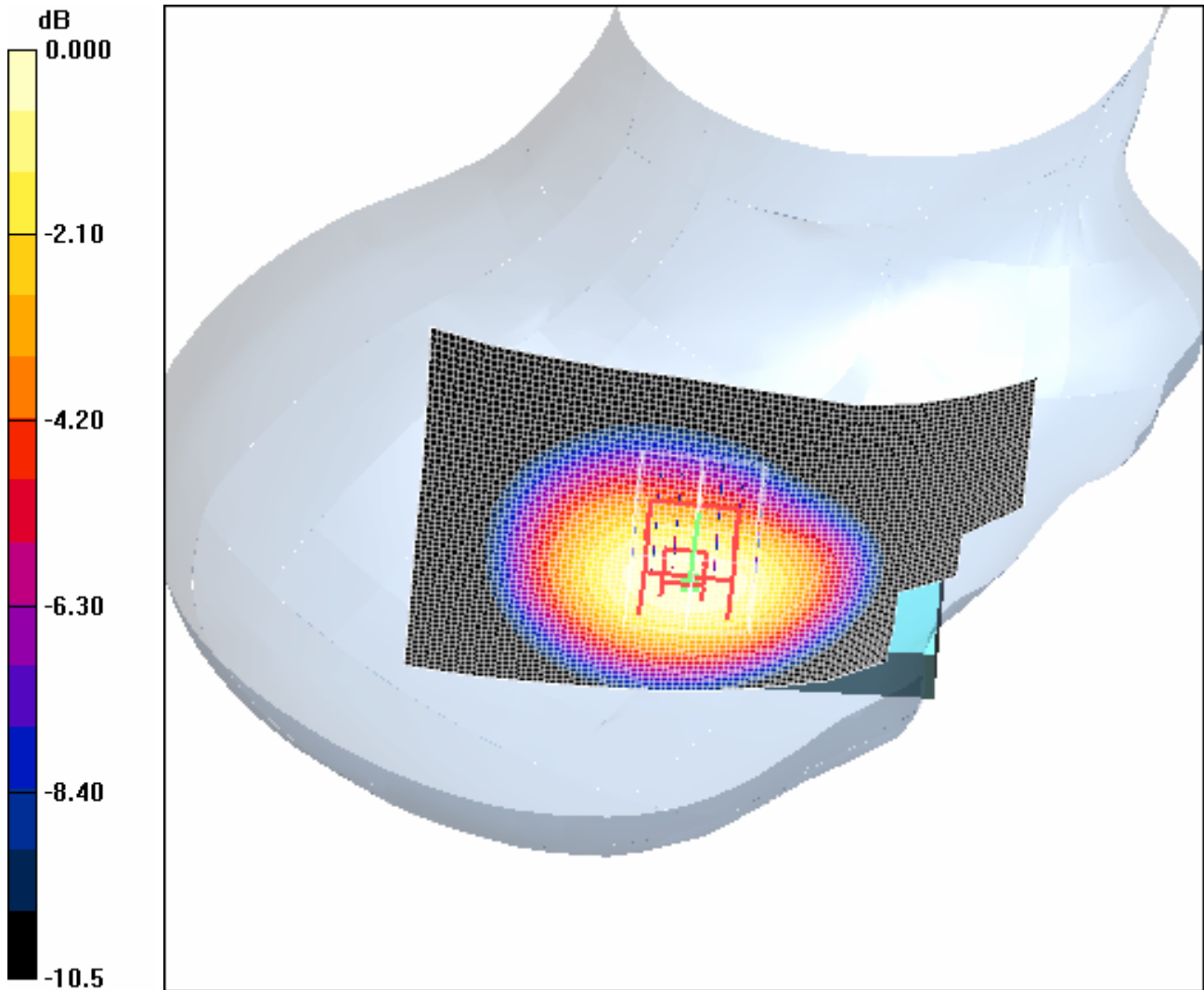
Cheek position - High(JN)/Zoom Scan (7x7x7) (7x7x7)/Cube 0: Measurement grid: dx=5mm, dy=5mm, dz=5mm

Reference Value = 23.5 V/m; Power Drift = -0.030 dB

Peak SAR (extrapolated) = 1.13 W/kg

SAR(1 g) = 0.843 mW/g; SAR(10 g) = 0.572 mW/g

Maximum value of SAR (measured) = 0.905 mW/g



0 dB = 0.905mW/g

4.2.9 GSM850-Body-Worn -Low

Date/Time: 2007-5-10 21:23:39

Test Laboratory: SGS-GSM

GSM850-Body-Worn-Low-2.0cm(JN)

DUT: GSM10337924I; Type: Head; Serial: 0111380000015-3

Communication System: EGSM900-GSM Mode; Frequency: 880.2 MHz; Duty Cycle: 1:8.3

Medium: 850-Body Medium parameters used: $f = 880.2$ MHz; $\sigma = 0.991$ mho/m; $\epsilon_r = 54.3$; $\rho = 1000$ kg/m³

Phantom section: Flat Section

DASY4 Configuration:

- Probe: ES3DV3 - SN3088; ConvF(5.92, 5.92, 5.92); Calibrated: 2006-12-12
- Sensor-Surface: 4mm (Mechanical Surface Detection)
- Electronics: DAE3 Sn569; Calibrated: 2006-12-8
- Phantom: SAM 12; Type: SAM V4.0; Serial: TP-1283
- Measurement SW: DASY4, V4.7 Build 44; Postprocessing SW: SEMCAD, V1.8 Build 171

Body Worn - Low(JN)/Area Scan (51x91x1): Measurement grid: dx=15mm, dy=15mm

Maximum value of SAR (interpolated) = 0.589 mW/g

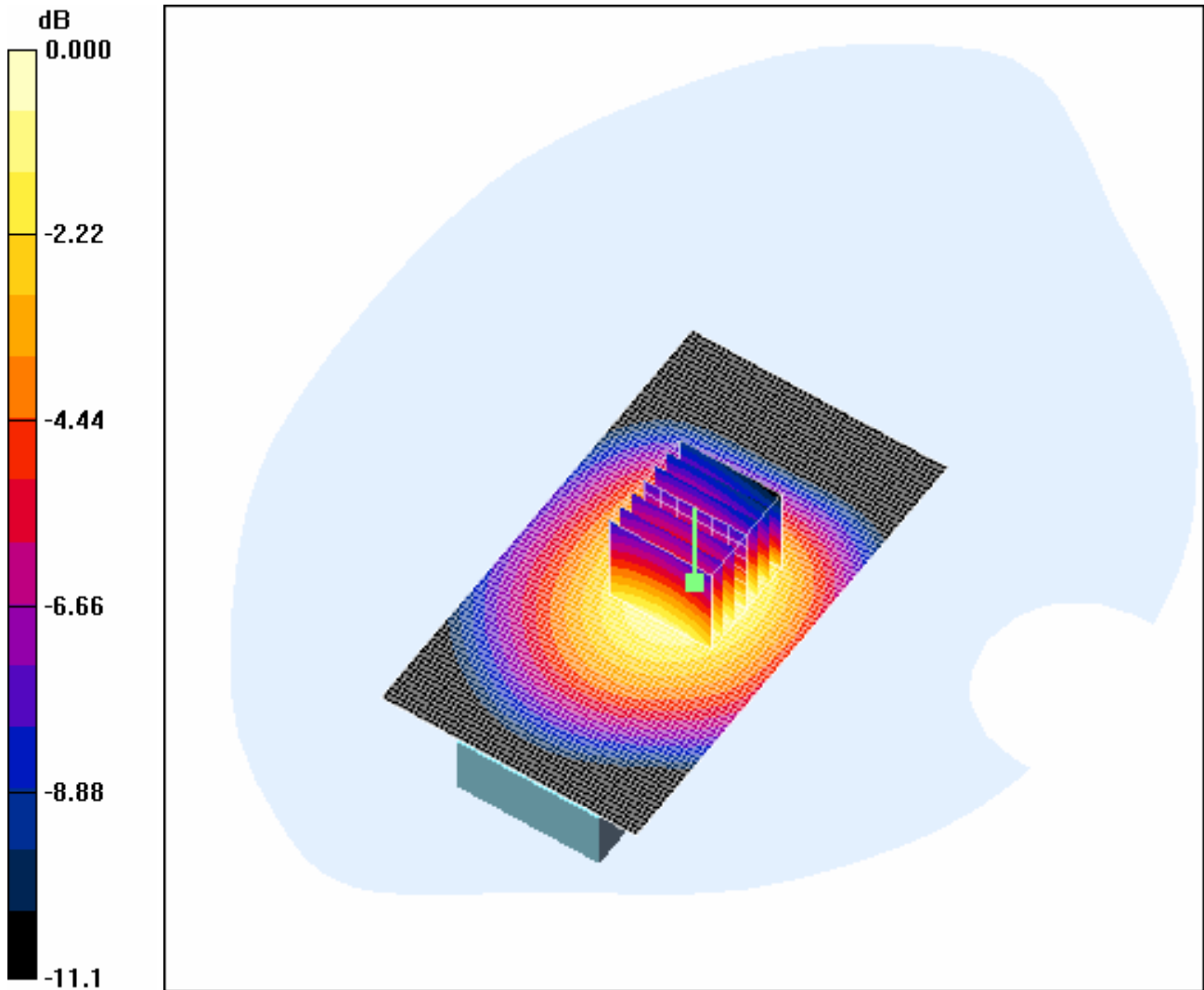
Body Worn - Low(JN)/Zoom Scan (7x7x7) (7x7x7)/Cube 0: Measurement grid: dx=5mm, dy=5mm, dz=5mm

Reference Value = 13.5 V/m; Power Drift = -0.017 dB

Peak SAR (extrapolated) = 0.737 W/kg

SAR(1 g) = 0.542 mW/g; SAR(10 g) = 0.380 mW/g

Maximum value of SAR (measured) = 0.579 mW/g



0 dB = 0.579mW/g

4.2.10 GSM850-Body-Worn -Middle

Date/Time: 2007-5-10 21:00:48

Test Laboratory: SGS-GSM

GSM850-Body-Worn-Middle-2.0cm(JN)

DUT: GSM10337924I; Type: Head; Serial: 0111380000015-3

Communication System: EGSM900-GSM Mode; Frequency: 897.6 MHz; Duty Cycle: 1:8.3

Medium: 850-Body Medium parameters used: $f = 897.6 \text{ MHz}$; $\sigma = 1.01 \text{ mho/m}$; $\mu_r = 54$; $\rho = 1000 \text{ kg/m}^3$

Phantom section: Flat Section

DASY4 Configuration:

- Probe: ES3DV3 - SN3088; ConvF(5.92, 5.92, 5.92); Calibrated: 2006-12-12
- Sensor-Surface: 4mm (Mechanical Surface Detection)
- Electronics: DAE3 Sn569; Calibrated: 2006-12-8
- Phantom: SAM 12; Type: SAM V4.0; Serial: TP-1283
- Measurement SW: DASY4, V4.7 Build 44; Postprocessing SW: SEMCAD, V1.8 Build 171

Body Worn - Middle(JN)/Area Scan (51x91x1): Measurement grid: $dx=15\text{mm}$, $dy=15\text{mm}$

Maximum value of SAR (interpolated) = 0.539 mW/g

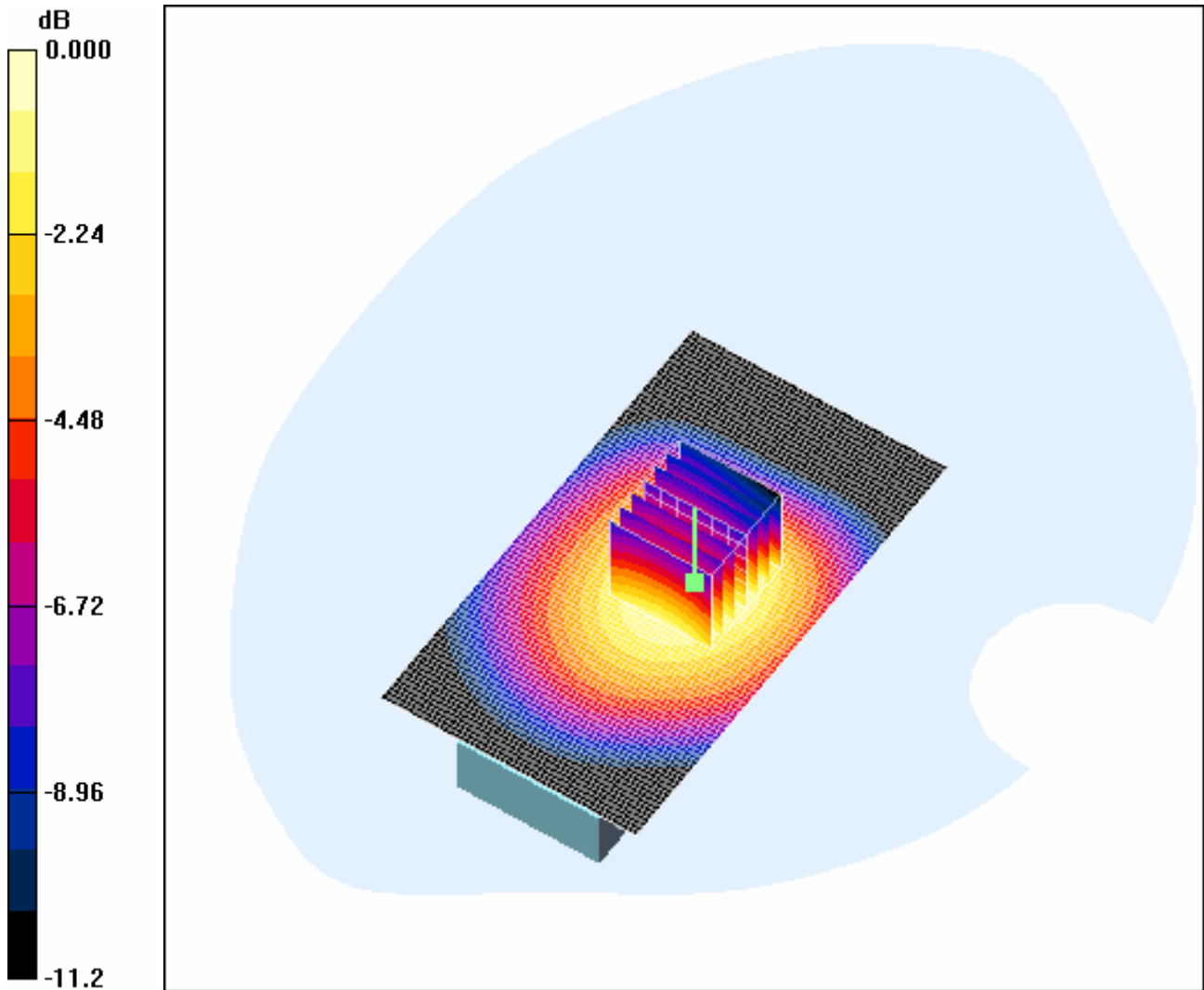
Body Worn - Middle(JN)/Zoom Scan (7x7x7)/Cube 0: Measurement grid: $dx=5\text{mm}$, $dy=5\text{mm}$, $dz=5\text{mm}$

Reference Value = 12.7 V/m; Power Drift = 0.003 dB

Peak SAR (extrapolated) = 0.684 W/kg

SAR(1 g) = 0.495 mW/g; SAR(10 g) = 0.346 mW/g

Maximum value of SAR (measured) = 0.525 mW/g



0 dB = 0.525mW/g

4.2.11 GSM850-Body-Worn -High

Date/Time: 2007-5-10 21:57:33

Test Laboratory: SGS-GSM

GSM850-Body-Worn-High-2.0cm(JN)

DUT: GSM10337924I; Type: Head; Serial: 0111380000015-3

Communication System: EGSM900-GSM Mode; Frequency: 914.8 MHz; Duty Cycle: 1:8.3

Medium: 850-Body Medium parameters used: $f = 914.8$ MHz; $\sigma = 1.03$ mho/m; $\epsilon_r = 54$; $\rho = 1000$ kg/m³

Phantom section: Flat Section

DASY4 Configuration:

- Probe: ES3DV3 - SN3088; ConvF(5.92, 5.92, 5.92); Calibrated: 2006-12-12
- Sensor-Surface: 4mm (Mechanical Surface Detection)
- Electronics: DAE3 Sn569; Calibrated: 2006-12-8
- Phantom: SAM 12; Type: SAM V4.0; Serial: TP-1283
- Measurement SW: DASY4, V4.7 Build 44; Postprocessing SW: SEMCAD, V1.8 Build 171

Body Worn - High(JN)/Area Scan (51x91x1): Measurement grid: dx=15mm, dy=15mm

Maximum value of SAR (interpolated) = 0.361 mW/g

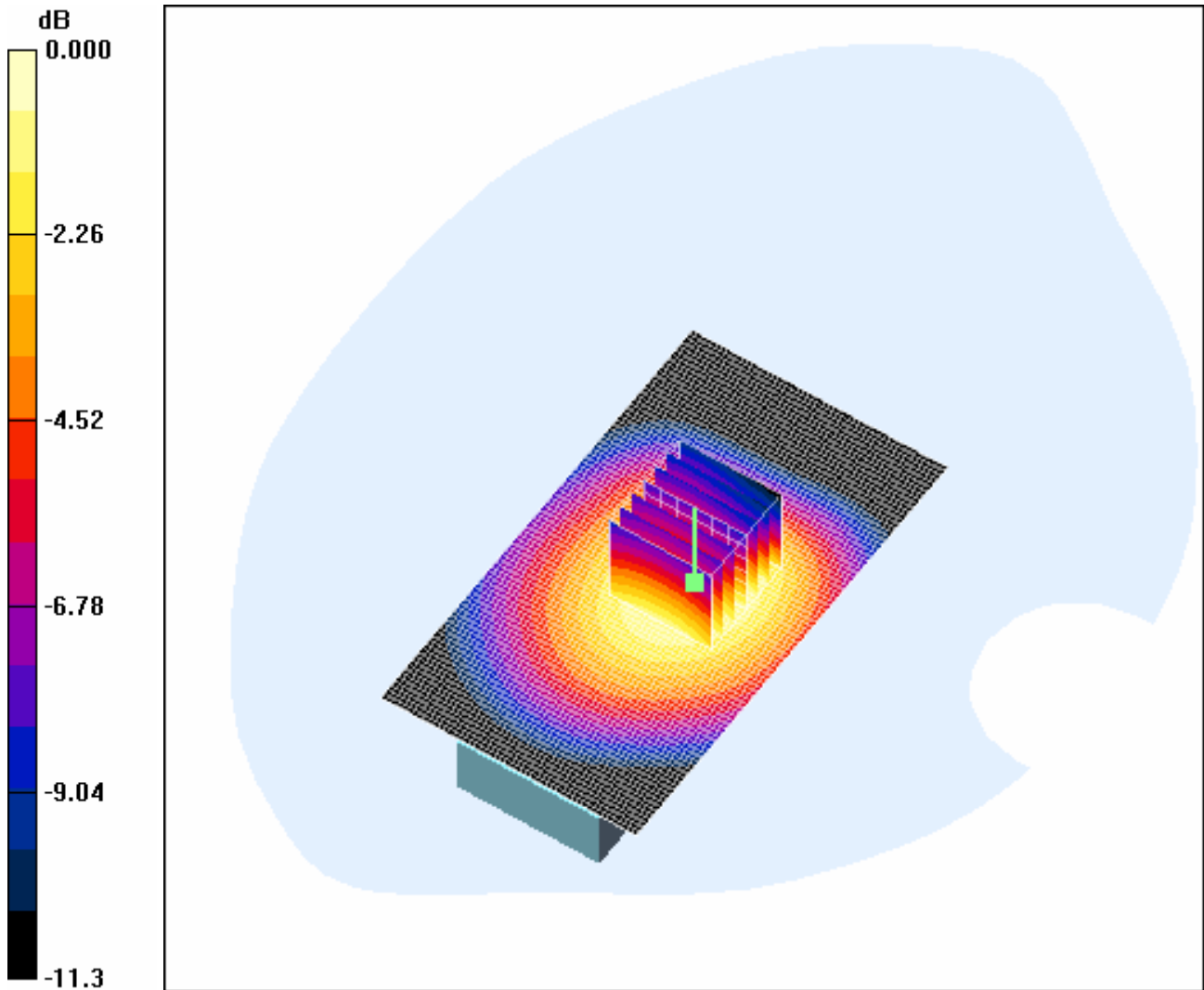
Body Worn - High(JN)/Zoom Scan (7x7x7) (7x7x7)/Cube 0: Measurement grid: dx=5mm, dy=5mm, dz=5mm

Reference Value = 10.3 V/m; Power Drift = -0.015 dB

Peak SAR (extrapolated) = 0.456 W/kg

SAR(1 g) = 0.330 mW/g; SAR(10 g) = 0.230 mW/g

Maximum value of SAR (measured) = 0.351 mW/g



0 dB = 0.351mW/g

4.2.12 PCS1900-LeftHandSide-Cheek-Middle

Date/Time: 2007-5-9 18:12:08

Test Laboratory: SGS-GSM

PCS1900-LeftHandSide-Cheek-Middle(JN)

DUT: GSM10337924I; Type: Head; Serial: 01113800000015-3

Communication System: PCS1900-GSM Mode; Frequency: 1880 MHz; Duty Cycle: 1:8.3

Medium: HSL1900_Head Medium parameters used: $f = 1880$ MHz; $\sigma = 1.42$ mho/m; $\epsilon_r = 38.6$; $\rho = 1000$ kg/m³

Phantom section: Left Section

DASY4 Configuration:

- Probe: ES3DV3 - SN3088; ConvF(5.07, 5.07, 5.07); Calibrated: 2006-12-12
- Sensor-Surface: 4mm (Mechanical Surface Detection)
- Electronics: DAE3 Sn569; Calibrated: 2006-12-8
- Phantom: SAM 12; Type: SAM V4.0; Serial: TP-1283
- Measurement SW: DASY4, V4.7 Build 44; Postprocessing SW: SEMCAD, V1.8 Build 171

Cheek position - Middle(JN)/Area Scan (61x101x1): Measurement grid: dx=15mm, dy=15mm
Maximum value of SAR (interpolated) = 0.532 mW/g

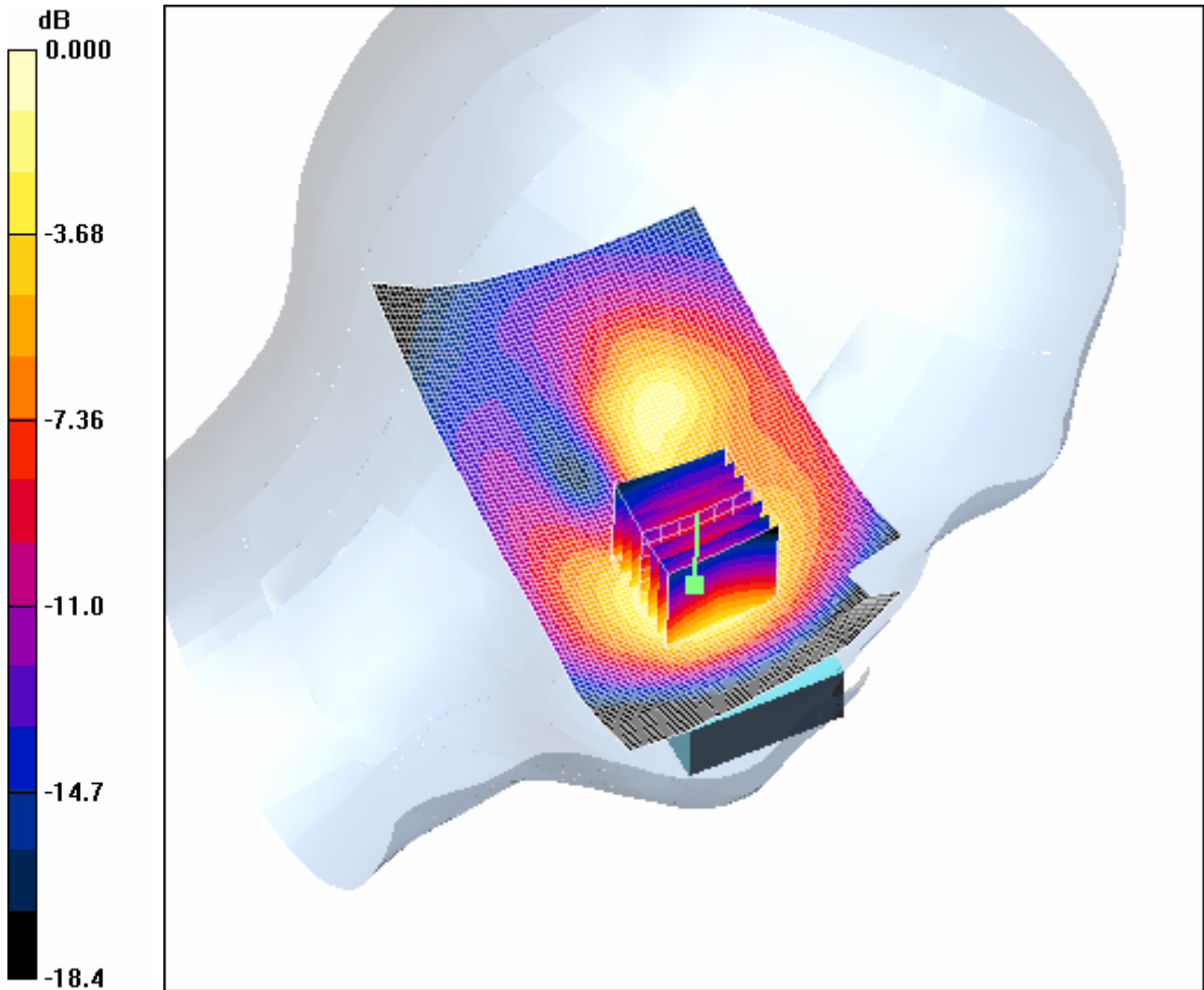
Cheek position - Middle(JN)/Zoom Scan (7x7x7)/Cube 0: Measurement grid: dx=5mm, dy=5mm, dz=5mm

Reference Value = 11.2 V/m; Power Drift = -0.075 dB

Peak SAR (extrapolated) = 0.643 W/kg

SAR(1 g) = 0.454 mW/g; SAR(10 g) = 0.266 mW/g

Maximum value of SAR (measured) = 0.497 mW/g



0 dB = 0.497mW/g

4.2.13 PCS1900-LeftHandSide-Tilt-Middle

Date/Time: 2007-5-9 18:37:30

Test Laboratory: SGS-GSM

PCS1900-LeftHandSide-Tilt-Middle(JN)

DUT: GSM10337924I; Type: Head; Serial: 0111380000015-3

Communication System: PCS1900-GSM Mode; Frequency: 1880 MHz; Duty Cycle: 1:8.3

Medium: HSL1900_Head Medium parameters used: $f = 1880$ MHz; $\sigma = 1.42$ mho/m; $r = 38.6$; $\rho = 1000$ kg/m³

Phantom section: Left Section

DASY4 Configuration:

- Probe: ES3DV3 - SN3088; ConvF(5.07, 5.07, 5.07); Calibrated: 2006-12-12
- Sensor-Surface: 4mm (Mechanical Surface Detection)
- Electronics: DAE3 Sn569; Calibrated: 2006-12-8
- Phantom: SAM 12; Type: SAM V4.0; Serial: TP-1283
- Measurement SW: DASY4, V4.7 Build 44; Postprocessing SW: SEMCAD, V1.8 Build 171

Tilt position - Middle(JN)/Area Scan (61x101x1): Measurement grid: dx=15mm, dy=15mm

Maximum value of SAR (interpolated) = 0.289 mW/g

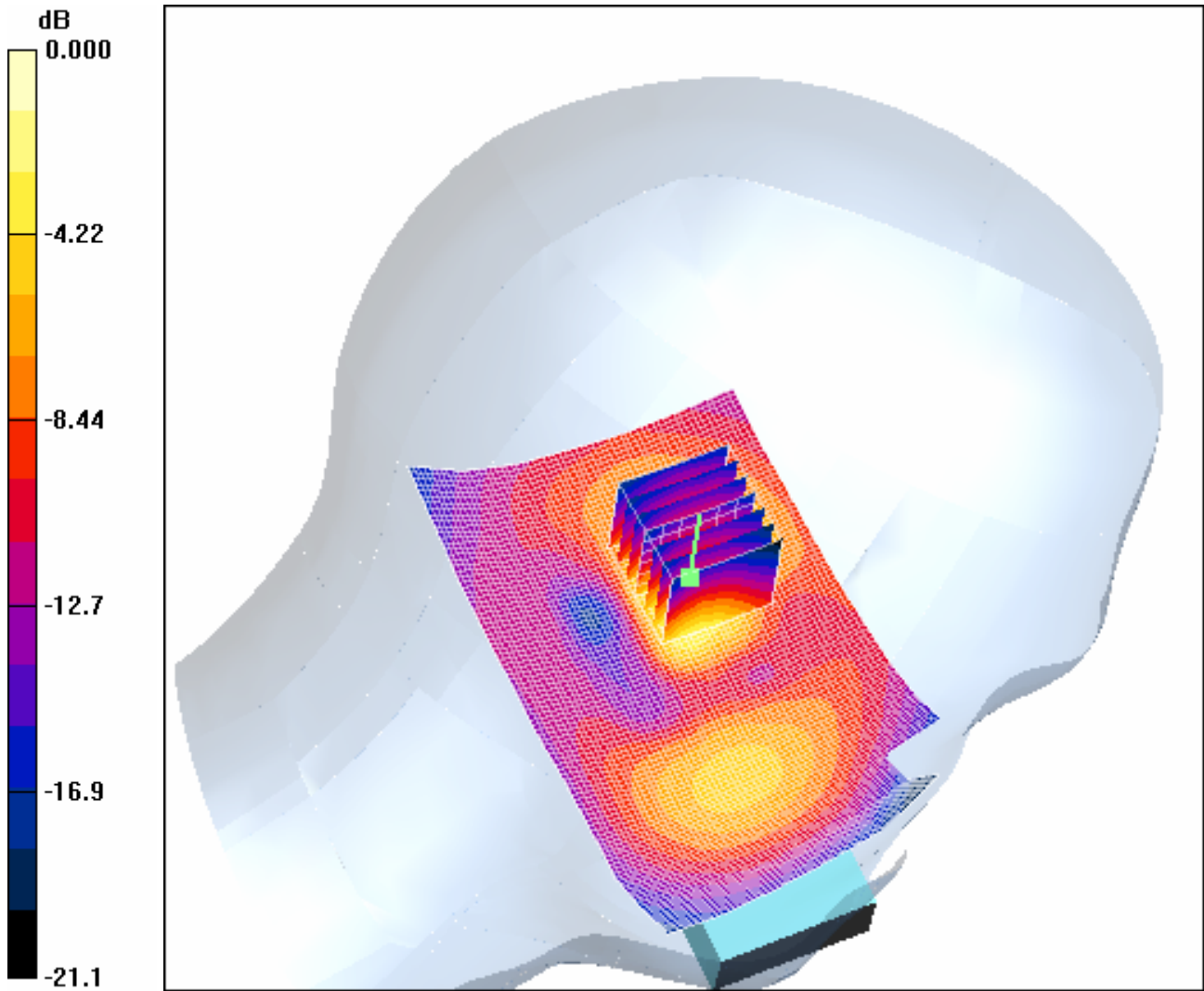
Tilt position - Middle(JN)/Zoom Scan (7x7x7)/Cube 0: Measurement grid: dx=5mm, dy=5mm, dz=5mm

Reference Value = 9.83 V/m; Power Drift = -0.026 dB

Peak SAR (extrapolated) = 0.482 W/kg

SAR(1 g) = 0.256 mW/g; SAR(10 g) = 0.126 mW/g

Maximum value of SAR (measured) = 0.290 mW/g



0 dB = 0.290mW/g

4.2.14 PCS1900-LeftHandSide-WorstCase-Low

Date/Time: 2007-5-9 19:33:39

Test Laboratory: SGS-GSM

PCS1900-LeftHandSide-Cheek-Low(JN)

DUT: GSM10337924I; Type: Head; Serial: 0111380000015-3

Communication System: PCS1900-GSM Mode; Frequency: 1850.2 MHz; Duty Cycle: 1:8.3

Medium: HSL1900_Head Medium parameters used: $f = 1850.2$ MHz; $\sigma = 1.38$ mho/m; $r = 38.8$; $\rho = 1000$ kg/m³

Phantom section: Left Section

DASY4 Configuration:

- Probe: ES3DV3 - SN3088; ConvF(5.07, 5.07, 5.07); Calibrated: 2006-12-12
- Sensor-Surface: 4mm (Mechanical Surface Detection)
- Electronics: DAE3 Sn569; Calibrated: 2006-12-8
- Phantom: SAM 12; Type: SAM V4.0; Serial: TP-1283
- Measurement SW: DASY4, V4.7 Build 44; Postprocessing SW: SEMCAD, V1.8 Build 171

Cheek position - Low(JN)/Area Scan (61x101x1): Measurement grid: dx=15mm, dy=15mm
Maximum value of SAR (interpolated) = 0.581 mW/g

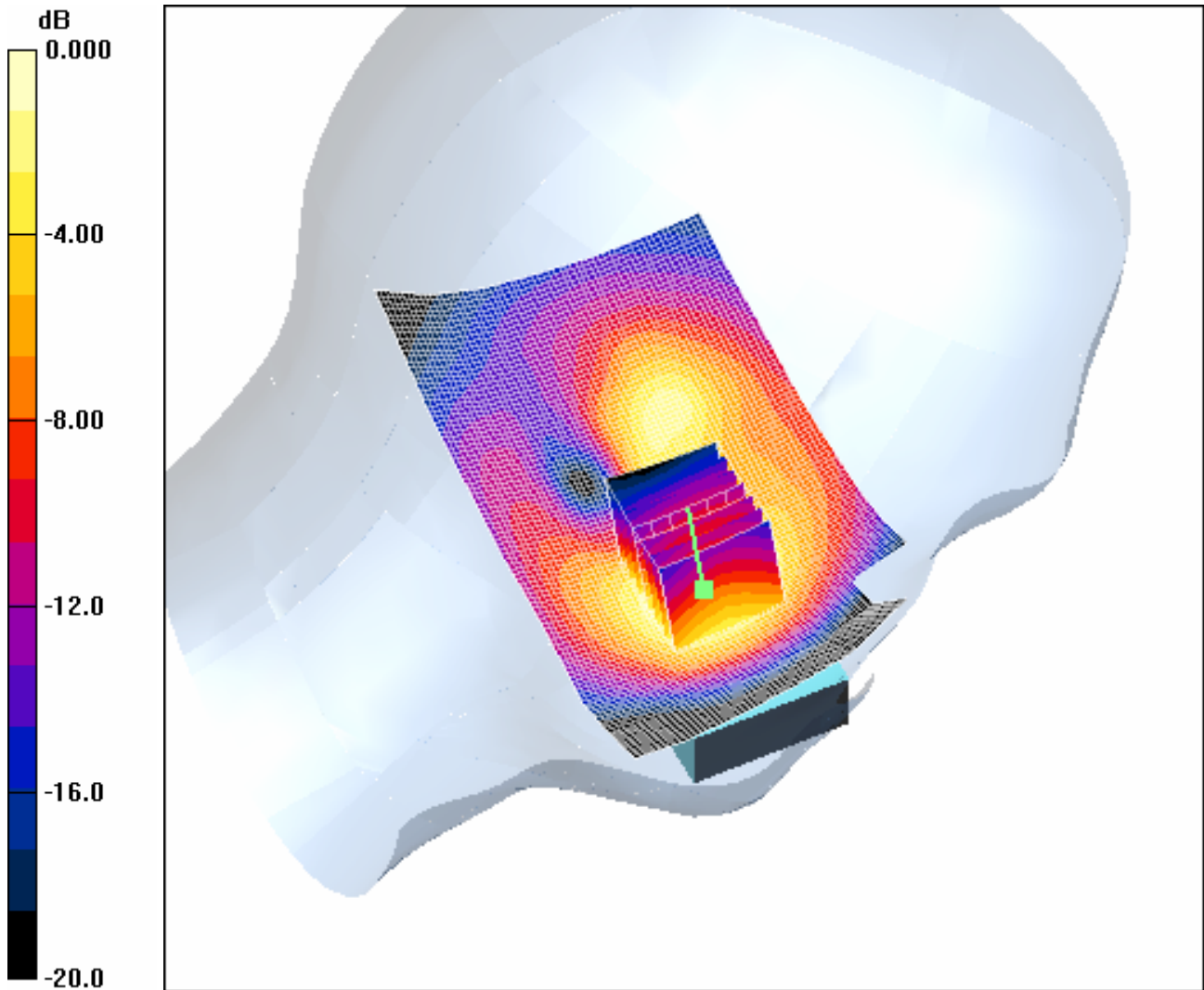
Cheek position - Low(JN)/Zoom Scan (7x7x7) (7x7x7)/Cube 0: Measurement grid: dx=5mm, dy=5mm, dz=5mm

Reference Value = 10.9 V/m; Power Drift = -0.036 dB

Peak SAR (extrapolated) = 0.709 W/kg

SAR(1 g) = 0.499 mW/g; SAR(10 g) = 0.293 mW/g

Maximum value of SAR (measured) = 0.553 mW/g



0 dB = 0.553mW/g

4.2.15 PCS1900-LeftHandSide-WorstCase-High

Date/Time: 2007-5-9 19:06:45

Test Laboratory: SGS-GSM

PCS1900-LeftHandSide-Cheek-High(JN)

DUT: GSM10337924I; Type: Head; Serial: 0111380000015-3

Communication System: PCS1900-GSM Mode; Frequency: 1909.8 MHz; Duty Cycle: 1:8.3

Medium: HSL1900_Head Medium parameters used: $f = 1909.8 \text{ MHz}$; $\sigma = 1.45 \text{ mho/m}$; $r = 38.5$; $\rho = 1000 \text{ kg/m}^3$

Phantom section: Left Section

DASY4 Configuration:

- Probe: ES3DV3 - SN3088; ConvF(5.07, 5.07, 5.07); Calibrated: 2006-12-12
- Sensor-Surface: 4mm (Mechanical Surface Detection)
- Electronics: DAE3 Sn569; Calibrated: 2006-12-8
- Phantom: SAM 12; Type: SAM V4.0; Serial: TP-1283
- Measurement SW: DASY4, V4.7 Build 44; Postprocessing SW: SEMCAD, V1.8 Build 171

Cheek position - High(JN)/Area Scan (61x101x1): Measurement grid: dx=15mm, dy=15mm
Maximum value of SAR (interpolated) = 0.335 mW/g

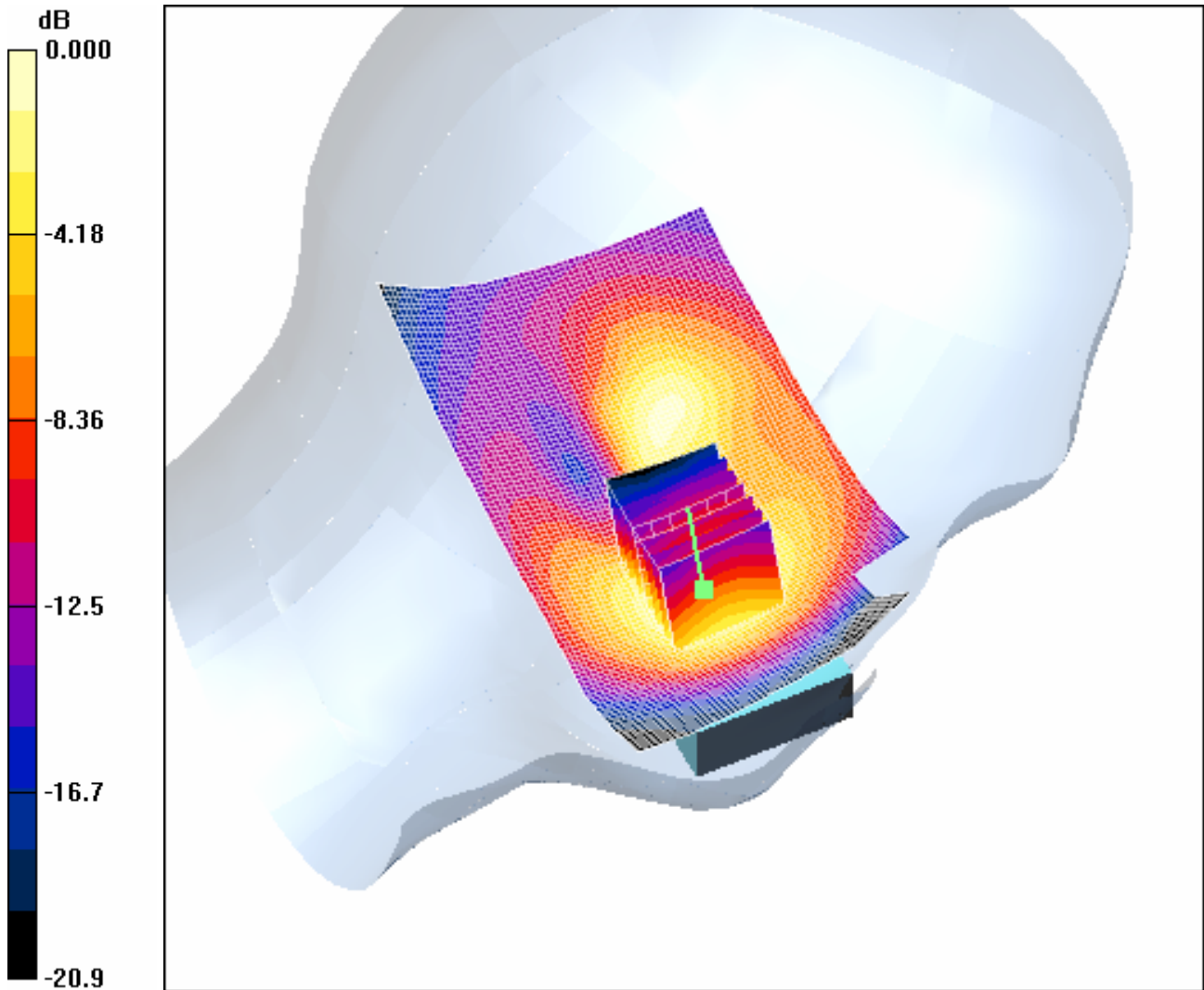
Cheek position - High(JN)/Zoom Scan (7x7x7) (7x7x7)/Cube 0: Measurement grid: dx=5mm, dy=5mm, dz=5mm

Reference Value = 9.26 V/m; Power Drift = -0.111 dB

Peak SAR (extrapolated) = 0.425 W/kg

SAR(1 g) = 0.293 mW/g; SAR(10 g) = 0.171 mW/g

Maximum value of SAR (measured) = 0.322 mW/g



0 dB = 0.322mW/g

4.2.16 PCS1900-RightHandSide-Cheek-Middle

Date/Time: 2007-5-10 11:34:16

Test Laboratory: SGS-GSM

PCS900-RightHandSide-Cheek-Middle(JN)

DUT: GSM10337924I; Type: Head; Serial: 0111380000015-3

Communication System: PCS1900-GSM Mode; Frequency: 1880 MHz; Duty Cycle: 1:8.3

Medium: HSL1900_Head Medium parameters used: $f = 1880$ MHz; $\sigma = 1.42$ mho/m; $\epsilon_r = 38.6$; $\rho = 1000$ kg/m³

Phantom section: Right Section

DASY4 Configuration:

- Probe: ES3DV3 - SN3088; ConvF(5.07, 5.07, 5.07); Calibrated: 2006-12-12
- Sensor-Surface: 4mm (Mechanical Surface Detection)
- Electronics: DAE3 Sn569; Calibrated: 2006-12-8
- Phantom: SAM 12; Type: SAM V4.0; Serial: TP-1283
- Measurement SW: DASY4, V4.7 Build 44; Postprocessing SW: SEMCAD, V1.8 Build 171

Cheek position - Middle(JN)/Area Scan (61x101x1): Measurement grid: dx=15mm, dy=15mm
Maximum value of SAR (interpolated) = 0.473 mW/g

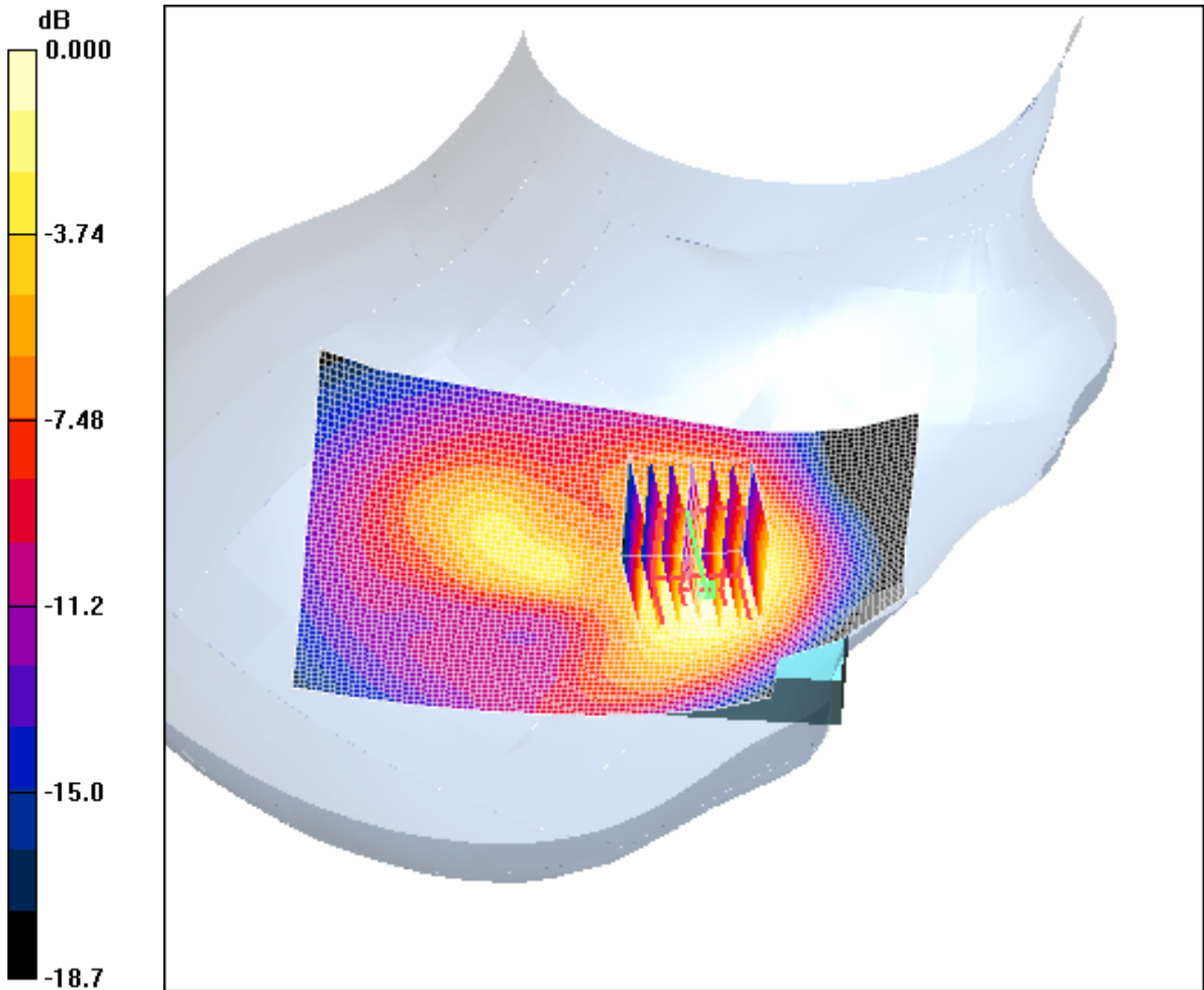
Cheek position - Middle(JN)/Zoom Scan (7x7x7)/Cube 0: Measurement grid: dx=5mm, dy=5mm, dz=5mm

Reference Value = 11.5 V/m; Power Drift = -0.080 dB

Peak SAR (extrapolated) = 0.611 W/kg

SAR(1 g) = 0.417 mW/g; SAR(10 g) = 0.243 mW/g

Maximum value of SAR (measured) = 0.465 mW/g



0 dB = 0.465mW/g

4.2.17 PCS1900-RightHandSide-Tilt-Middle

Date/Time: 2007-5-10 11:05:32

Test Laboratory: SGS-GSM

PCS900-RightHandSide-Tilt-Middle(JN)

DUT: GSM10337924I; Type: Head; Serial: 0111380000015-3

Communication System: PCS1900-GSM Mode; Frequency: 1880 MHz; Duty Cycle: 1:8.3

Medium: HSL1900_Head Medium parameters used: $f = 1880 \text{ MHz}$; $\sigma = 1.42 \text{ mho/m}$; $r = 38.6$; $\rho = 1000 \text{ kg/m}^3$

Phantom section: Right Section

DASY4 Configuration:

- Probe: ES3DV3 - SN3088; ConvF(5.07, 5.07, 5.07); Calibrated: 2006-12-12
- Sensor-Surface: 4mm (Mechanical Surface Detection)
- Electronics: DAE3 Sn569; Calibrated: 2006-12-8
- Phantom: SAM 12; Type: SAM V4.0; Serial: TP-1283
- Measurement SW: DASY4, V4.7 Build 44; Postprocessing SW: SEMCAD, V1.8 Build 171

Tilt position - Middle(JN)/Area Scan (61x101x1): Measurement grid: $dx=15\text{mm}$, $dy=15\text{mm}$

Maximum value of SAR (interpolated) = 0.230 mW/g

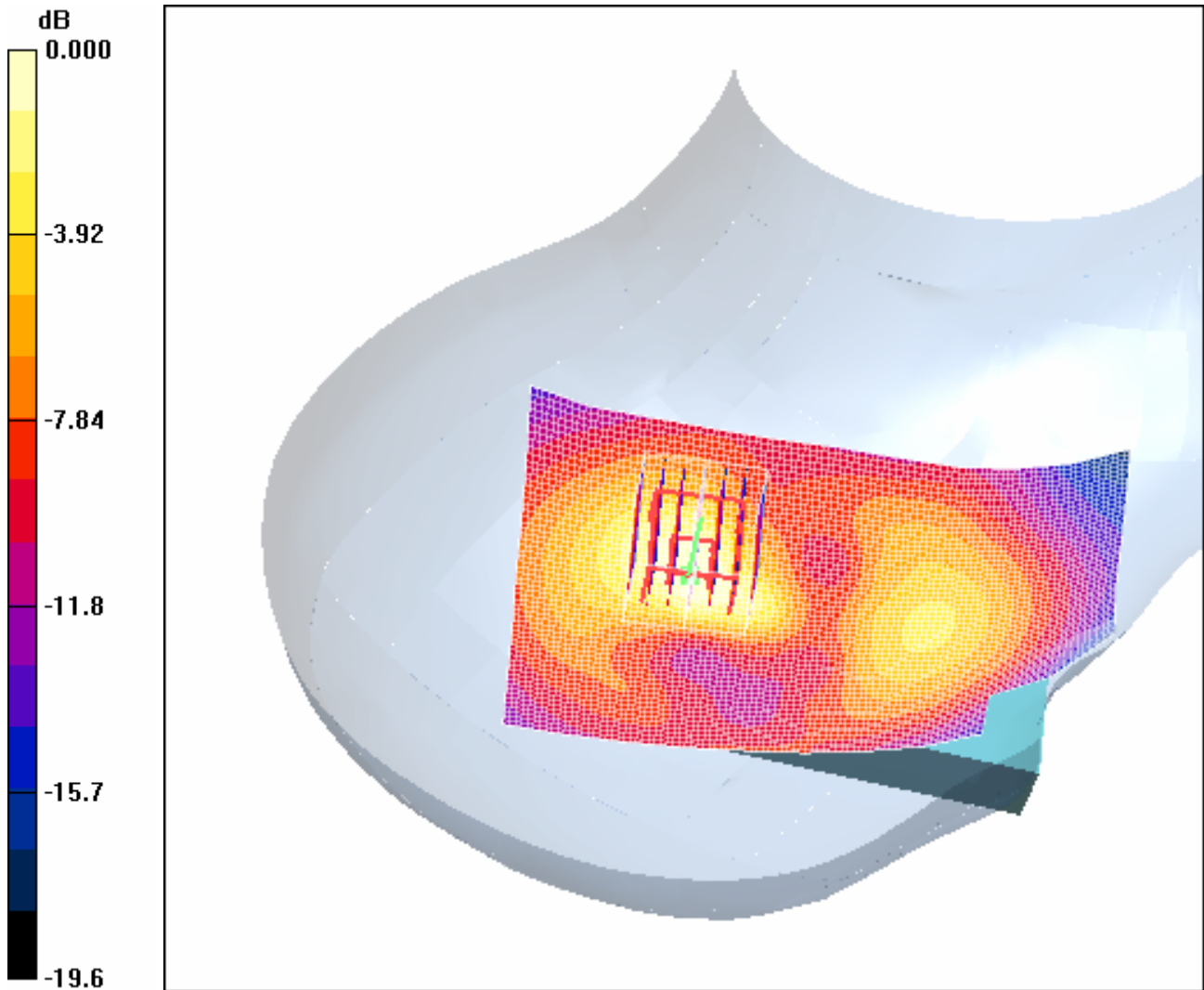
Tilt position - Middle(JN)/Zoom Scan (7x7x7)/Cube 0: Measurement grid: $dx=5\text{mm}$, $dy=5\text{mm}$, $dz=5\text{mm}$

Reference Value = 10.7 V/m; Power Drift = -0.057 dB

Peak SAR (extrapolated) = 0.356 W/kg

SAR(1 g) = 0.194 mW/g; SAR(10 g) = 0.102 mW/g

Maximum value of SAR (measured) = 0.216 mW/g



0 dB = 0.216mW/g

4.2.18 PCS1900-RightHandSide-WorstCase-Low

Date/Time: 2007-5-10 12:46:06

Test Laboratory: SGS-GSM

PCS900-RightHandSide-Cheek-Low(JN)

DUT: GSM10337924I; Type: Head; Serial: 0111380000015-3

Communication System: PCS1900-GSM Mode; Frequency: 1880 MHz; Duty Cycle: 1:8.3

Medium: HSL1900_Head Medium parameters used: $f = 1880 \text{ MHz}$; $\sigma = 1.42 \text{ mho/m}$; $r = 38.6$; $\rho = 1000 \text{ kg/m}^3$

Phantom section: Right Section

DASY4 Configuration:

- Probe: ES3DV3 - SN3088; ConvF(5.07, 5.07, 5.07); Calibrated: 2006-12-12
- Sensor-Surface: 4mm (Mechanical Surface Detection)
- Electronics: DAE3 Sn569; Calibrated: 2006-12-8
- Phantom: SAM 12; Type: SAM V4.0; Serial: TP-1283
- Measurement SW: DASY4, V4.7 Build 44; Postprocessing SW: SEMCAD, V1.8 Build 171

Cheek position - Low(JN)/Area Scan (61x101x1): Measurement grid: $dx=15\text{mm}$, $dy=15\text{mm}$
Maximum value of SAR (interpolated) = 0.565 mW/g

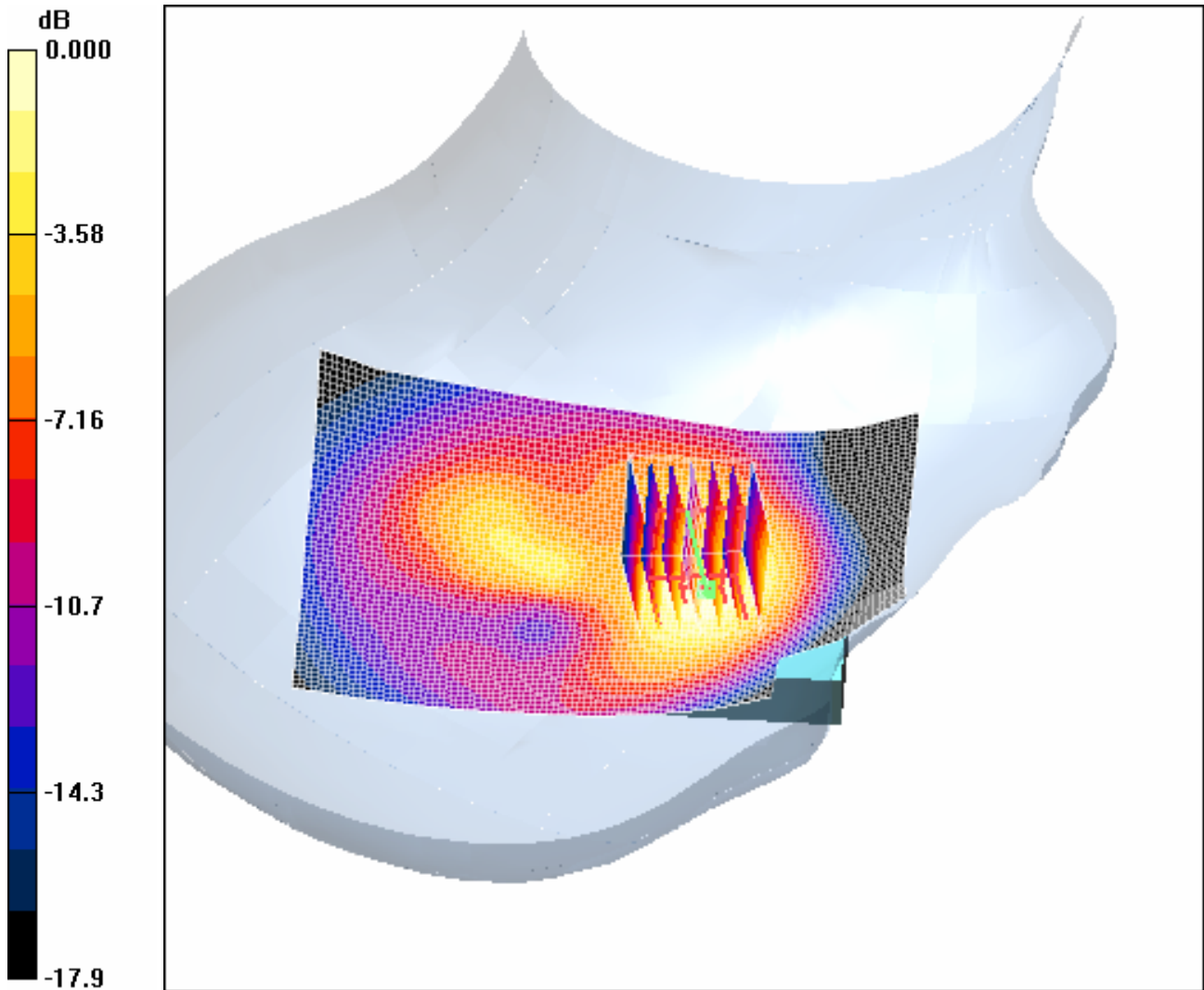
Cheek position - Low(JN)/Zoom Scan (7x7x7) (7x7x7)/Cube 0: Measurement grid: $dx=5\text{mm}$,
 $dy=5\text{mm}$, $dz=5\text{mm}$

Reference Value = 11.8 V/m; Power Drift = -0.005 dB

Peak SAR (extrapolated) = 0.709 W/kg

SAR(1 g) = 0.493 mW/g; SAR(10 g) = 0.290 mW/g

Maximum value of SAR (measured) = 0.549 mW/g



0 dB = 0.549mW/g

4.2.19 PCS1900-RightHandSide-WorstCase-High

Date/Time: 2007-5-10 13:19:13

Test Laboratory: SGS-GSM

PCS900-RightHandSide-Cheek-High(JN)

DUT: GSM10337924I; Type: Head; Serial: 0111380000015-3

Communication System: PCS1900-GSM Mode; Frequency: 1909.8 MHz; Duty Cycle: 1:8.3

Medium: HSL1900_Head Medium parameters used: $f = 1909.8$ MHz; $\sigma = 1.45$ mho/m; $\epsilon_r = 38.5$; $\rho = 1000$ kg/m³

Phantom section: Right Section

DASY4 Configuration:

- Probe: ES3DV3 - SN3088; ConvF(5.07, 5.07, 5.07); Calibrated: 2006-12-12
- Sensor-Surface: 4mm (Mechanical Surface Detection)
- Electronics: DAE3 Sn569; Calibrated: 2006-12-8
- Phantom: SAM 12; Type: SAM V4.0; Serial: TP-1283
- Measurement SW: DASY4, V4.7 Build 44; Postprocessing SW: SEMCAD, V1.8 Build 171

Cheek position - High(JN)/Area Scan (61x101x1): Measurement grid: dx=15mm, dy=15mm
Maximum value of SAR (interpolated) = 0.313 mW/g

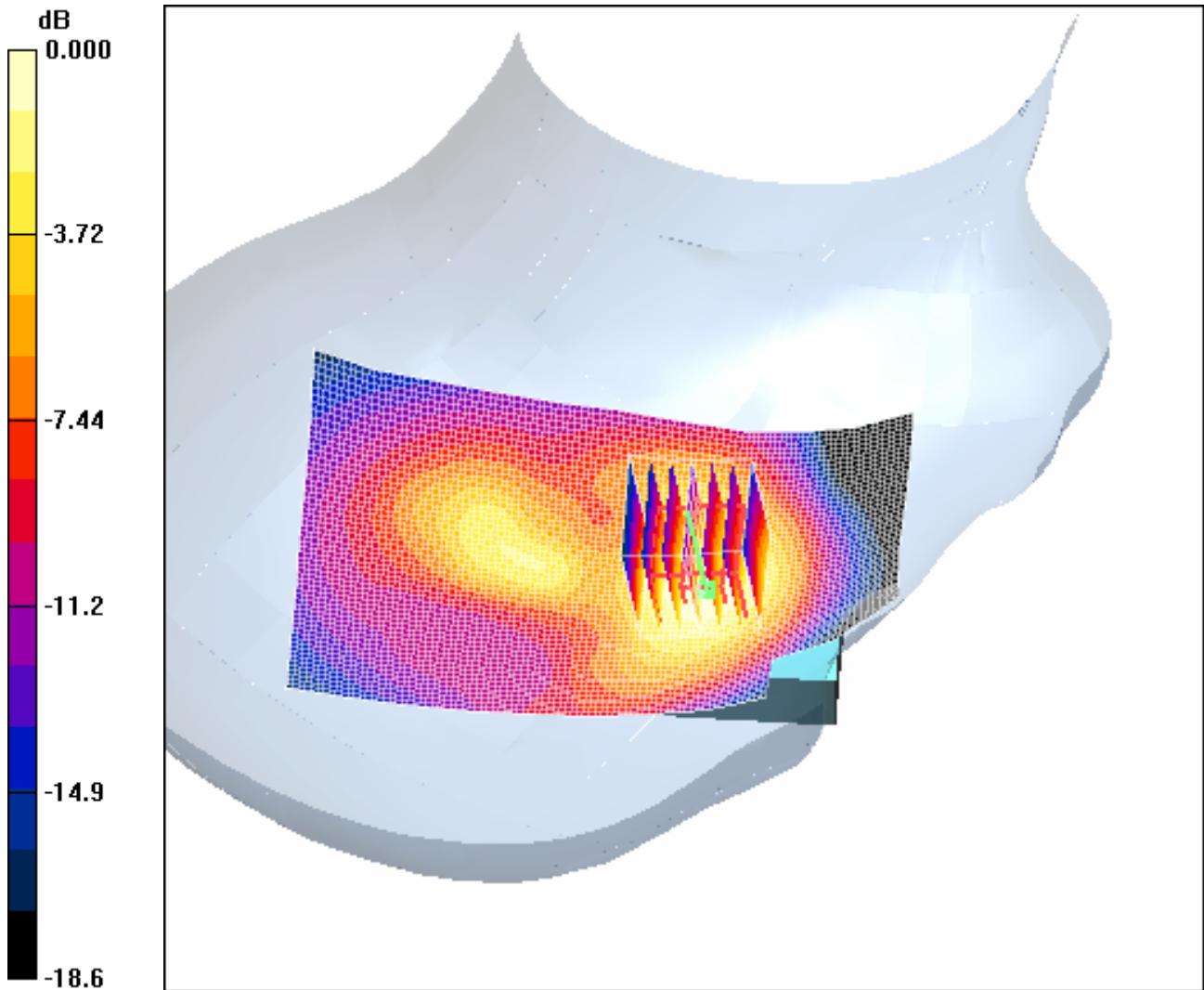
Cheek position - High(JN)/Zoom Scan (7x7x7) (7x7x7)/Cube 0: Measurement grid: dx=5mm, dy=5mm, dz=5mm

Reference Value = 9.89 V/m; Power Drift = -0.075 dB

Peak SAR (extrapolated) = 0.411 W/kg

SAR(1 g) = 0.279 mW/g; SAR(10 g) = 0.163 mW/g

Maximum value of SAR (measured) = 0.311 mW/g



0 dB = 0.311mW/g

4.2.20 PCS1900-Body-Worn -Low

Date/Time: 2007-5-11 17:17:18

Test Laboratory: SGS-GSM

PCS1900-Body-Worn-Low-2.0cm(JN)

DUT: GSM10337924I; Type: Head; Serial: 0111380000015-3

Communication System: PCS1900-GSM Mode; Frequency: 1850.2 MHz; Duty Cycle: 1:8.3

Medium: 1900-Body Medium parameters used: $f = 1850.2$ MHz; $\sigma = 1.53$ mho/m; $\epsilon_r = 50.9$; $\rho = 1000$ kg/m³

Phantom section: Flat Section

DASY4 Configuration:

- Probe: ES3DV3 - SN3088; ConvF(4.68, 4.68, 4.68); Calibrated: 2006-12-12
- Sensor-Surface: 4mm (Mechanical Surface Detection)
- Electronics: DAE3 Sn569; Calibrated: 2006-12-8
- Phantom: SAM 12; Type: SAM V4.0; Serial: TP-1283
- Measurement SW: DASY4, V4.7 Build 44; Postprocessing SW: SEMCAD, V1.8 Build 171

Body Worn - Low(JN)/Area Scan (51x91x1): Measurement grid: dx=15mm, dy=15mm

Maximum value of SAR (interpolated) = 0.464 mW/g

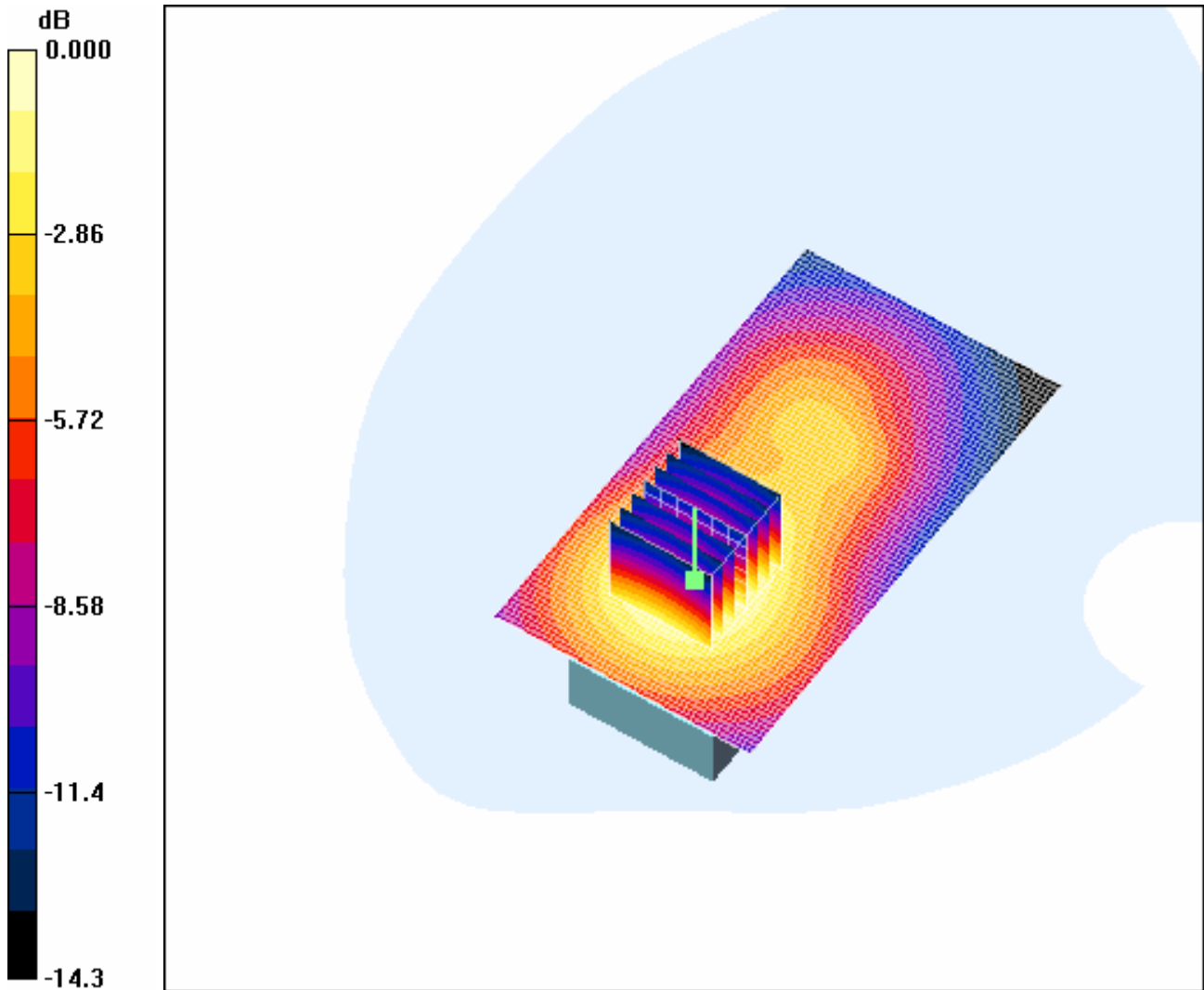
Body Worn - Low(JN)/Zoom Scan (7x7x7) (7x7x7)/Cube 0: Measurement grid: dx=5mm, dy=5mm, dz=5mm

Reference Value = 10.9 V/m; Power Drift = -0.028 dB

Peak SAR (extrapolated) = 0.672 W/kg

SAR(1 g) = 0.427 mW/g; SAR(10 g) = 0.267 mW/g

Maximum value of SAR (measured) = 0.459 mW/g



0 dB = 0.459mW/g

4.2.21 PCS1900-Body-Worn -Middle

Date/Time: 2007-5-11 17:39:07

Test Laboratory: SGS-GSM

PCS1900-Body-Worn-Middle-2.0cm(JN)

DUT: GSM10337924I; Type: Head; Serial: 0111380000015-3

Communication System: PCS1900-GSM Mode; Frequency: 1880 MHz; Duty Cycle: 1:8.3

Medium: 1900-Body Medium parameters used: $f = 1880$ MHz; $\sigma = 1.56$ mho/m; $r = 50.8$; $\rho = 1000$ kg/m³

Phantom section: Flat Section

DASY4 Configuration:

- Probe: ES3DV3 - SN3088; ConvF(4.68, 4.68, 4.68); Calibrated: 2006-12-12
- Sensor-Surface: 4mm (Mechanical Surface Detection)
- Electronics: DAE3 Sn569; Calibrated: 2006-12-8
- Phantom: SAM 12; Type: SAM V4.0; Serial: TP-1283
- Measurement SW: DASY4, V4.7 Build 44; Postprocessing SW: SEMCAD, V1.8 Build 171

Body Worn - Middle(JN)/Area Scan (51x91x1): Measurement grid: dx=15mm, dy=15mm

Maximum value of SAR (interpolated) = 0.489 mW/g

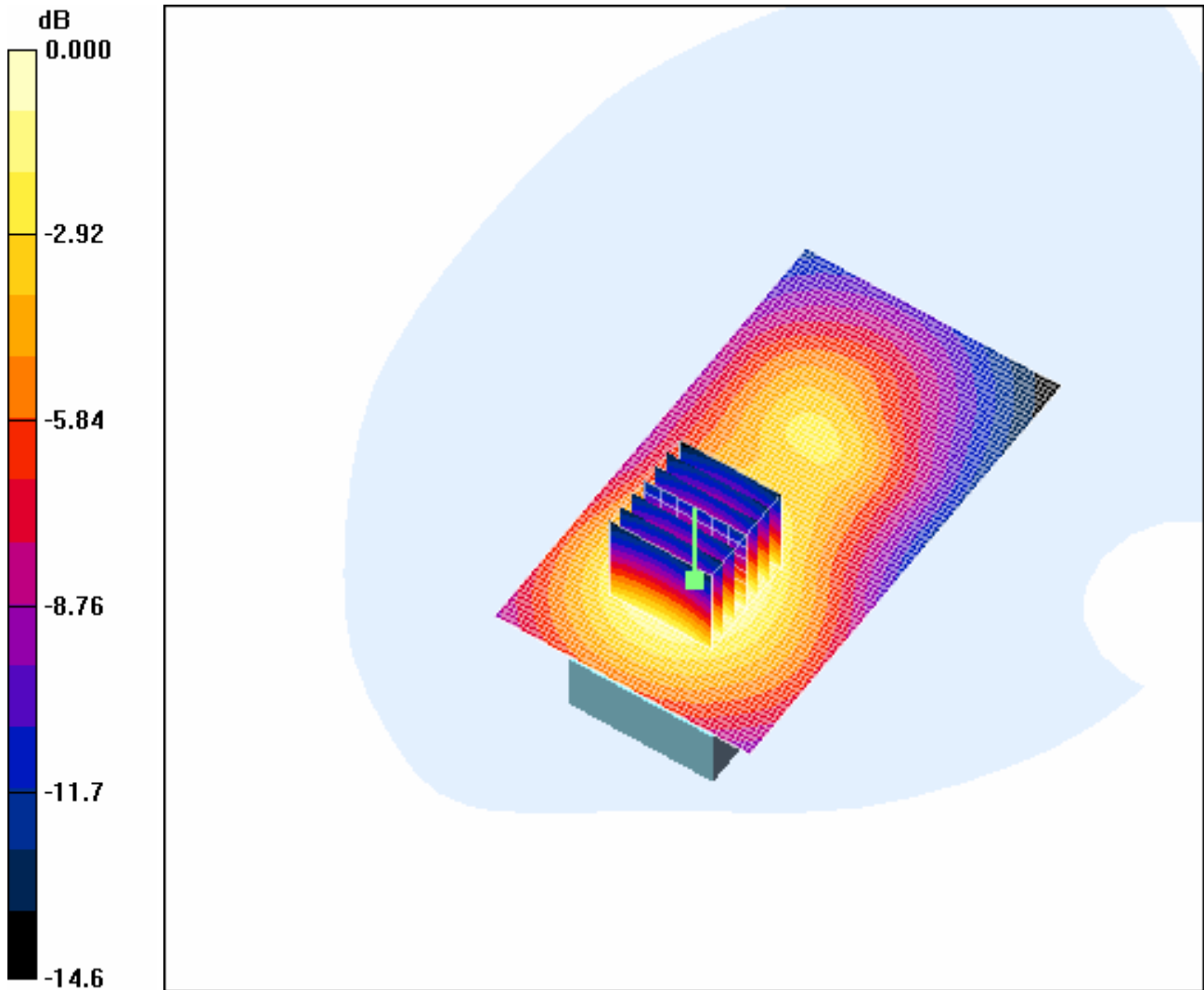
Body Worn - Middle(JN)/Zoom Scan (7x7x7)/Cube 0: Measurement grid: dx=5mm, dy=5mm, dz=5mm

Reference Value = 11.4 V/m; Power Drift = 0.003 dB

Peak SAR (extrapolated) = 0.717 W/kg

SAR(1 g) = 0.449 mW/g; SAR(10 g) = 0.279 mW/g

Maximum value of SAR (measured) = 0.485 mW/g



0 dB = 0.485mW/g

4.2.22 PCS1900-Body-Worn -High

Date/Time: 2007-5-11 18:01:03

Test Laboratory: SGS-GSM

PCS1900-Body-Worn-High-2.0cm(JN)

DUT: GSM10337924I; Type: Head; Serial: 0111380000015-3

Communication System: PCS1900-GSM Mode; Frequency: 1909.8 MHz; Duty Cycle: 1:8.3

Medium: 1900-Body Medium parameters used: $f = 1909.8$ MHz; $\sigma = 1.6$ mho/m; $\epsilon_r = 50.7$; $\rho = 1000$ kg/m³

Phantom section: Flat Section

DASY4 Configuration:

- Probe: ES3DV3 - SN3088; ConvF(4.68, 4.68, 4.68); Calibrated: 2006-12-12
- Sensor-Surface: 4mm (Mechanical Surface Detection)
- Electronics: DAE3 Sn569; Calibrated: 2006-12-8
- Phantom: SAM 12; Type: SAM V4.0; Serial: TP-1283
- Measurement SW: DASY4, V4.7 Build 44; Postprocessing SW: SEMCAD, V1.8 Build 171

Body Worn - High(JN)/Area Scan (51x91x1): Measurement grid: dx=15mm, dy=15mm

Maximum value of SAR (interpolated) = 0.401 mW/g

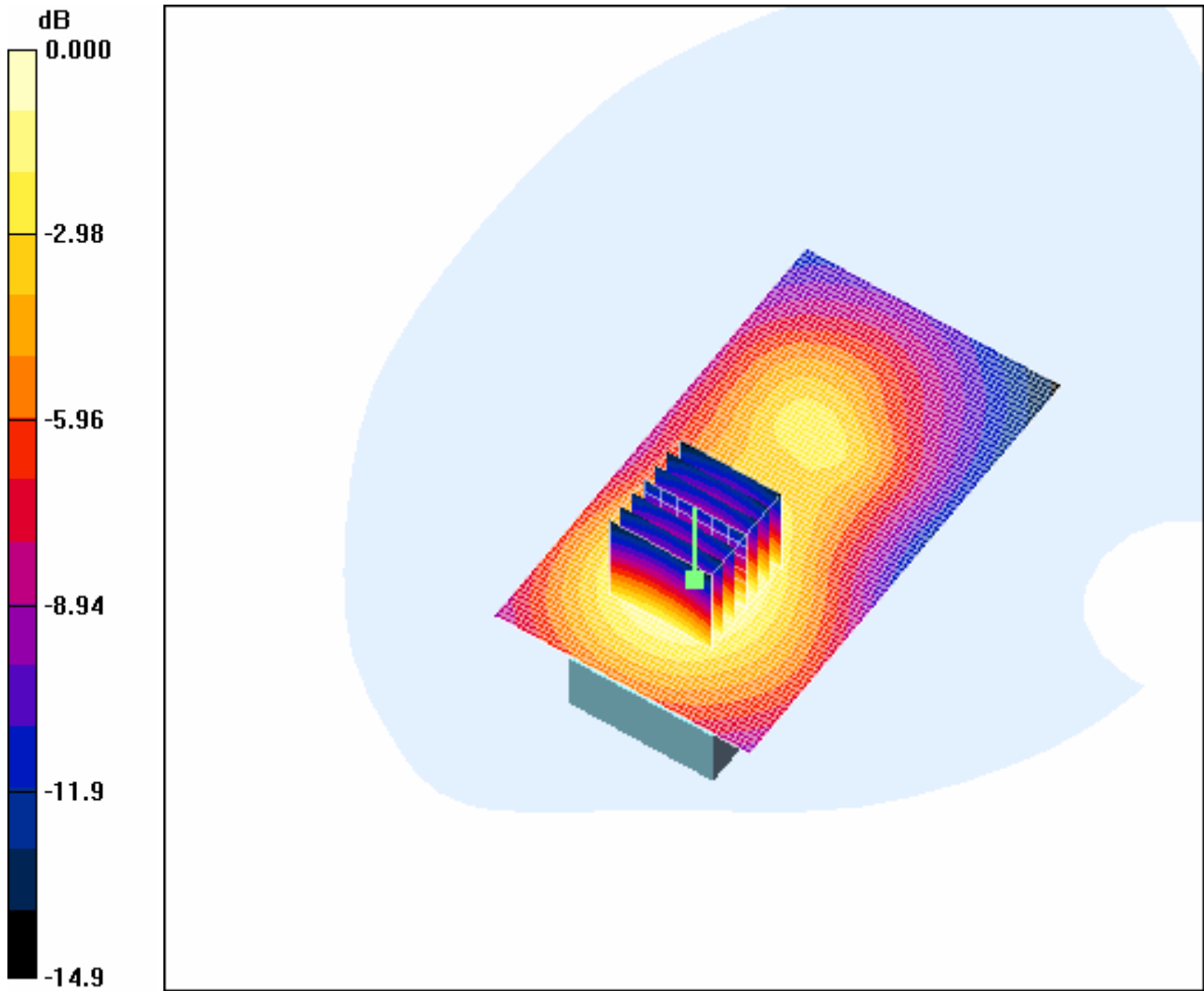
Body Worn - High(JN)/Zoom Scan (7x7x7) (7x7x7)/Cube 0: Measurement grid: dx=5mm, dy=5mm, dz=5mm

Reference Value = 10.5 V/m; Power Drift = -0.042 dB

Peak SAR (extrapolated) = 0.588 W/kg

SAR(1 g) = 0.366 mW/g; SAR(10 g) = 0.226 mW/g

Maximum value of SAR (measured) = 0.394 mW/g



0 dB = 0.394mW/g

Appendix

1. Photographs of Test Setup



Fig.1 Photograph of the SAR measurement System

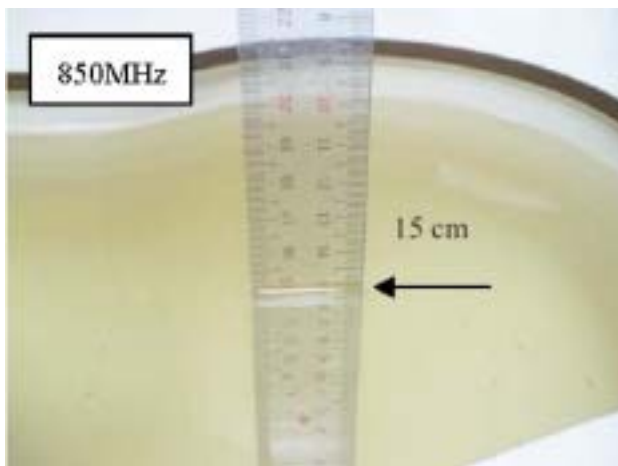


Fig.2 Photograph of the Tissue Simulant Fluid Liquid depth 15cm for Left-Head Side

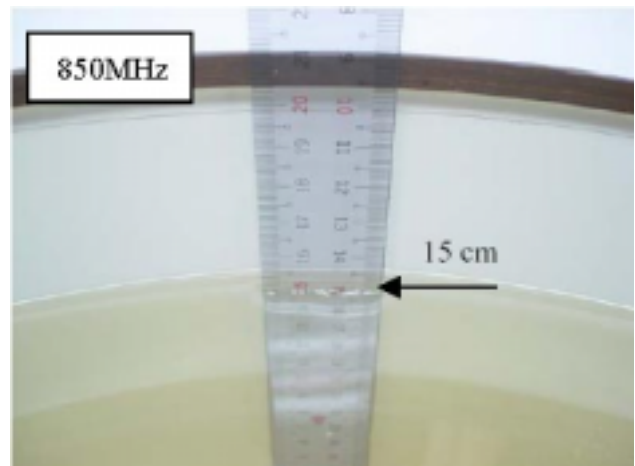


Fig.3 Photograph of the Tissue Simulant Liquid depth 15cm for Body-Worn

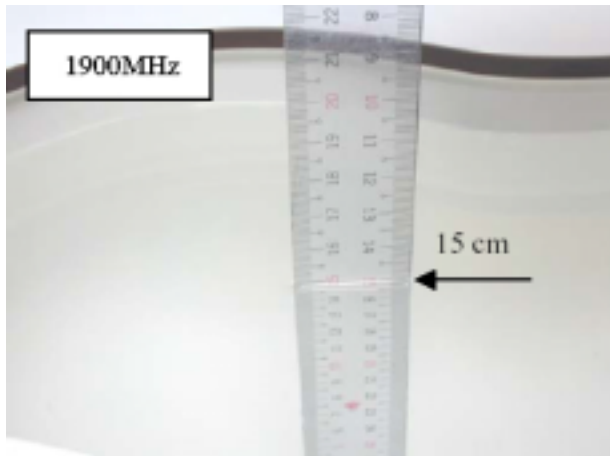


Fig.4 Photograph of the Tissue Simulant Fluid Liquid depth 15cm for Right-Head Side

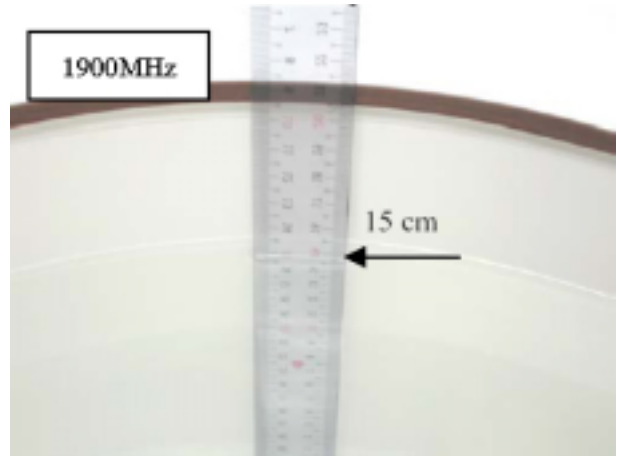


Fig.5 Photograph of the Tissue Simulant Liquid depth 15cm for Body-Worn



Fig.6 Photograph of the Left Hand Side Cheek status

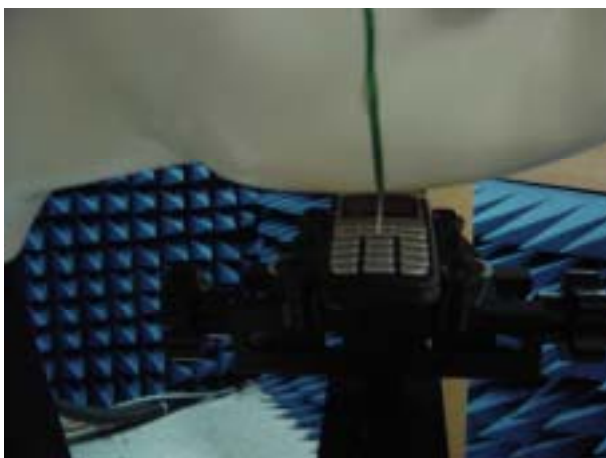


Fig.7 Photograph of the Left Hand Side Tilt status

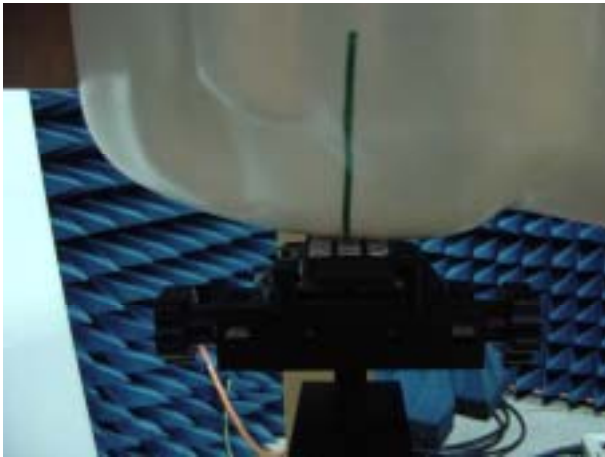


Fig.8 Photograph of the Right Hand Side Cheek status

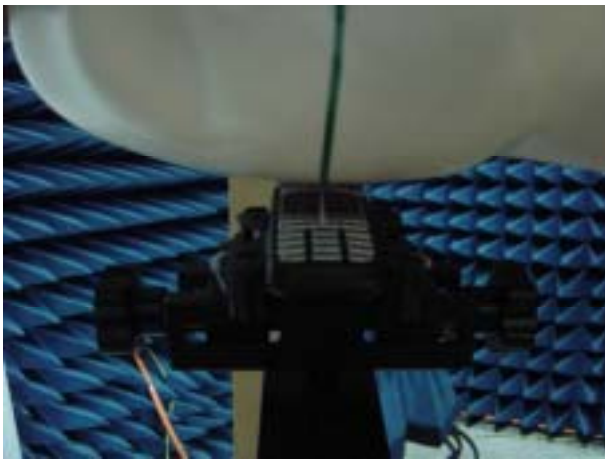


Fig.9 Photograph of the Right Hand Side Tilt status



Fig.10 Photograph of the BodyWorn status

2. Photographs of the EUT



Fig.11 Front View



Fig.12 Back View

3. Photographs of the battery



Fig. 13 Front view of battery (BYD)



Fig. 14 Back view of battery (BYD)



Fig. 15 Front view of battery (JN)



Fig. 16 Back view of battery (JN)

4. Photograph of the charger and Headset



Fig.17 Charger



Fig18 Headset

5. Probe Calibration certificate

Calibration Laboratory of
Schmid & Partner
Engineering AG
Zeughausstrasse 43, 8004 Zurich, Switzerland



S Schweizerischer Kalibrierdienst
C Service suisse d'étalonnage
S Servizio svizzero di taratura
S Swiss Calibration Service

Accredited by the Swiss Federal Office of Metrology and Accreditation
The Swiss Accreditation Service is one of the signatories to the EA
Multilateral Agreement for the recognition of calibration certificates

Accreditation No.: SCS 108

Client: SGS-CSTC (MTT)

Certificate No: ES3-3088_Dec06

CALIBRATION CERTIFICATE																																																			
Object	ES3DV3 - SN:3088																																																		
Calibration procedure(s)	QA CAL-01.v5 Calibration procedure for dosimetric E-field probes																																																		
Calibration date:	December 12, 2006																																																		
Condition of the calibrated item	In Tolerance																																																		
<p>This calibration certificate documents the traceability to national standards, which realize the physical units of measurements (SI). The measurements and the uncertainties with confidence probability are given on the following pages and are part of the certificate.</p> <p>All calibrations have been conducted in the closed laboratory facility: environment temperature (22 ± 2)°C and humidity < 70%.</p> <p>Calibration Equipment used (MATE critical for calibration)</p> <table border="1"> <thead> <tr> <th>Primary Standards</th> <th>ID #</th> <th>Cal Date (Calibrated by, Certificate No.)</th> <th>Scheduled Calibration</th> </tr> </thead> <tbody> <tr> <td>Power meter E4419B</td> <td>GB41293874</td> <td>5-Apr-06 (METAS, No. 251-00557)</td> <td>Apr-07</td> </tr> <tr> <td>Power sensor E4412A</td> <td>MY41495277</td> <td>5-Apr-06 (METAS, No. 251-00557)</td> <td>Apr-07</td> </tr> <tr> <td>Power sensor E4412A</td> <td>MY41498087</td> <td>5-Apr-06 (METAS, No. 251-00557)</td> <td>Apr-07</td> </tr> <tr> <td>Reference 3 dB Attenuator</td> <td>SN: S5054 (30)</td> <td>10-Aug-06 (METAS, No. 217-00592)</td> <td>Aug-07</td> </tr> <tr> <td>Reference 20 dB Attenuator</td> <td>SN: S5066 (20b)</td> <td>4-Apr-06 (METAS, No. 251-00556)</td> <td>Apr-07</td> </tr> <tr> <td>Reference 30 dB Attenuator</td> <td>SN: S5125 (30b)</td> <td>10-Aug-06 (METAS, No. 217-00593)</td> <td>Aug-07</td> </tr> <tr> <td>Reference Probe ES3DV2</td> <td>SN: 3013</td> <td>2-Jan-06 (SPEAG, No. ES3-3013_Jan06)</td> <td>Jan-07</td> </tr> <tr> <td>DAE4</td> <td>SN: 054</td> <td>21-Jun-06 (SPEAG, No. DAE4-054_Jun06)</td> <td>Jun-07</td> </tr> </tbody> </table> <table border="1"> <thead> <tr> <th>Secondary Standards</th> <th>ID #</th> <th>Check Date (in house)</th> <th>Scheduled Check</th> </tr> </thead> <tbody> <tr> <td>RF generator HP 8649C</td> <td>US3642UD1700</td> <td>4-Aug-99 (SPEAG, in house check Nov-05)</td> <td>In house check: Nov-07</td> </tr> <tr> <td>Network Analyzer HP 8753E</td> <td>US37360585</td> <td>18-Oct-01 (SPEAG, in house check Oct-06)</td> <td>In house check: Oct-07</td> </tr> </tbody> </table>				Primary Standards	ID #	Cal Date (Calibrated by, Certificate No.)	Scheduled Calibration	Power meter E4419B	GB41293874	5-Apr-06 (METAS, No. 251-00557)	Apr-07	Power sensor E4412A	MY41495277	5-Apr-06 (METAS, No. 251-00557)	Apr-07	Power sensor E4412A	MY41498087	5-Apr-06 (METAS, No. 251-00557)	Apr-07	Reference 3 dB Attenuator	SN: S5054 (30)	10-Aug-06 (METAS, No. 217-00592)	Aug-07	Reference 20 dB Attenuator	SN: S5066 (20b)	4-Apr-06 (METAS, No. 251-00556)	Apr-07	Reference 30 dB Attenuator	SN: S5125 (30b)	10-Aug-06 (METAS, No. 217-00593)	Aug-07	Reference Probe ES3DV2	SN: 3013	2-Jan-06 (SPEAG, No. ES3-3013_Jan06)	Jan-07	DAE4	SN: 054	21-Jun-06 (SPEAG, No. DAE4-054_Jun06)	Jun-07	Secondary Standards	ID #	Check Date (in house)	Scheduled Check	RF generator HP 8649C	US3642UD1700	4-Aug-99 (SPEAG, in house check Nov-05)	In house check: Nov-07	Network Analyzer HP 8753E	US37360585	18-Oct-01 (SPEAG, in house check Oct-06)	In house check: Oct-07
Primary Standards	ID #	Cal Date (Calibrated by, Certificate No.)	Scheduled Calibration																																																
Power meter E4419B	GB41293874	5-Apr-06 (METAS, No. 251-00557)	Apr-07																																																
Power sensor E4412A	MY41495277	5-Apr-06 (METAS, No. 251-00557)	Apr-07																																																
Power sensor E4412A	MY41498087	5-Apr-06 (METAS, No. 251-00557)	Apr-07																																																
Reference 3 dB Attenuator	SN: S5054 (30)	10-Aug-06 (METAS, No. 217-00592)	Aug-07																																																
Reference 20 dB Attenuator	SN: S5066 (20b)	4-Apr-06 (METAS, No. 251-00556)	Apr-07																																																
Reference 30 dB Attenuator	SN: S5125 (30b)	10-Aug-06 (METAS, No. 217-00593)	Aug-07																																																
Reference Probe ES3DV2	SN: 3013	2-Jan-06 (SPEAG, No. ES3-3013_Jan06)	Jan-07																																																
DAE4	SN: 054	21-Jun-06 (SPEAG, No. DAE4-054_Jun06)	Jun-07																																																
Secondary Standards	ID #	Check Date (in house)	Scheduled Check																																																
RF generator HP 8649C	US3642UD1700	4-Aug-99 (SPEAG, in house check Nov-05)	In house check: Nov-07																																																
Network Analyzer HP 8753E	US37360585	18-Oct-01 (SPEAG, in house check Oct-06)	In house check: Oct-07																																																
Calibrated by:	Name Kaja Polovic	Function Technical Manager	Signature 																																																
Approved by:	Name Nilsa Kuster	Function Quality Manager	Signature 																																																
			Issued: December 13, 2006																																																
This calibration certificate shall not be reproduced except in full without written approval of the laboratory.																																																			

Calibration Laboratory of
Schmid & Partner
Engineering AG
Zeughausstrasse 43, 8004 Zurich, Switzerland



S Schweizerischer Kalibrierdienst
C Service suisse d'étalonnage
S Servizio svizzero di taratura
S Swiss Calibration Service

Accredited by the Swiss Federal Office of Metrology and Accreditation
The Swiss Accreditation Service is one of the signatories to the EA
Multilateral Agreement for the recognition of calibration certificates

Accreditation No.: SCS 108

Glossary:

TSL	tissue simulating liquid
NORM _{x,y,z}	sensitivity in free space
ConvF	sensitivity in TSL / NORM _{x,y,z}
DCP	diode compression point
Polarization φ	φ rotation around probe axis
Polarization θ	θ rotation around an axis that is in the plane normal to probe axis (at measurement center), i.e., $\theta = 0$ is normal to probe axis

Calibration is Performed According to the Following Standards:

- IEEE Std 1528-2003, "IEEE Recommended Practice for Determining the Peak Spatial-Averaged Specific Absorption Rate (SAR) in the Human Head from Wireless Communications Devices: Measurement Techniques", December 2003
- CENELEC EN 50361, "Basic standard for the measurement of Specific Absorption Rate related to human exposure to electromagnetic fields from mobile phones (300 MHz - 3 GHz), July 2001

Methods Applied and Interpretation of Parameters:

- NORM_{x,y,z}**: Assessed for E-field polarization $\theta = 0$ ($f \leq 900$ MHz in TEM-cell; $f > 1800$ MHz: R22 waveguide). NORM_{x,y,z} are only intermediate values, i.e., the uncertainties of NORM_{x,y,z} does not effect the E²-field uncertainty inside TSL (see below ConvF).
- NORM(f)_{x,y,z}** = NORM_{x,y,z} * frequency_response (see Frequency Response Chart). This linearization is implemented in DASY4 software versions later than 4.2. The uncertainty of the frequency response is included in the stated uncertainty of ConvF.
- DCP_{x,y,z}**: DCP are numerical linearization parameters assessed based on the data of power sweep (no uncertainty required). DCP does not depend on frequency nor media.
- ConvF and Boundary Effect Parameters**: Assessed in flat phantom using E-field (or Temperature Transfer Standard for $f \leq 800$ MHz) and inside waveguide using analytical field distributions based on power measurements for $f > 800$ MHz. The same setups are used for assessment of the parameters applied for boundary compensation (alpha, depth) of which typical uncertainty values are given. These parameters are used in DASY4 software to improve probe accuracy close to the boundary. The sensitivity in TSL corresponds to NORM_{x,y,z} * ConvF whereby the uncertainty corresponds to that given for ConvF. A frequency dependent ConvF is used in DASY version 4.4 and higher which allows extending the validity from ± 50 MHz to ± 100 MHz.
- Spherical isotropy (3D deviation from isotropy)**: in a field of low gradients realized using a flat phantom exposed by a patch antenna.
- Sensor Offset**: The sensor offset corresponds to the offset of virtual measurement center from the probe tip (on probe axis). No tolerance required.

ES3DV3 SN:3088

December 12, 2006

Probe ES3DV3

SN:3088

Manufactured:	July 20, 2005
Last calibrated:	September 13, 2005
Recalibrated:	December 12, 2006

Calibrated for DASY Systems

(Note: non-compatible with DASY2 system!)

ES3DV3 SN:3088

December 12, 2006

DASY - Parameters of Probe: ES3DV3 SN:3088

Sensitivity in Free Space^A

Diode Compression^B

NormX	1.31 ± 10.1%	$\mu\text{V}/(\text{V/m})^2$	DCP X	94 mV
NormY	1.23 ± 10.1%	$\mu\text{V}/(\text{V/m})^2$	DCP Y	94 mV
NormZ	1.27 ± 10.1%	$\mu\text{V}/(\text{V/m})^2$	DCP Z	93 mV

Sensitivity in Tissue Simulating Liquid (Conversion Factors)

Please see Page 8.

Boundary Effect

TSL 900 MHz Typical SAR gradient: 5 % per mm

Sensor Center to Phantom Surface Distance		3.0 mm	4.0 mm
SAR _{0a} [%]	Without Correction Algorithm	2.4	0.6
SAR _{0a} [%]	With Correction Algorithm	1.0	0.0

TSL 1010 MHz Typical SAR gradient: 10 % per mm

Sensor Center to Phantom Surface Distance		3.0 mm	4.0 mm
SAR _{0a} [%]	Without Correction Algorithm	7.6	4.5
SAR _{0a} [%]	With Correction Algorithm	0.1	0.2

Sensor Offset

Probe Tip to Sensor Center 2.0 mm

The reported uncertainty of measurement is stated as the standard uncertainty of measurement multiplied by the coverage factor k=2, which for a normal distribution corresponds to a coverage probability of approximately 95%.

^A The uncertainties of NormX,Y,Z do not affect the E²-field uncertainty inside TSL. (see Page 8).

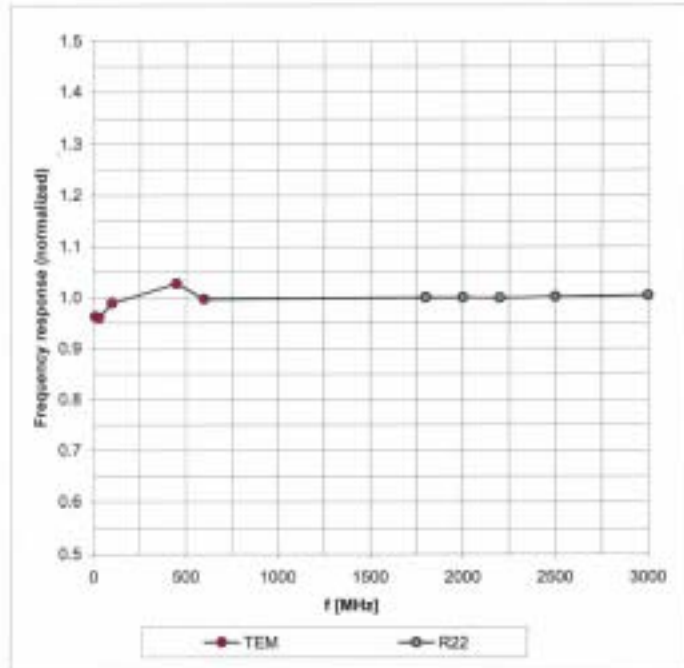
^B Numerical linearization parameter: uncertainty not required.

ES3DV3 SN:3088

December 12, 2006

Frequency Response of E-Field

(TEM-Cell: Ifi110 EXX, Waveguide: R22)

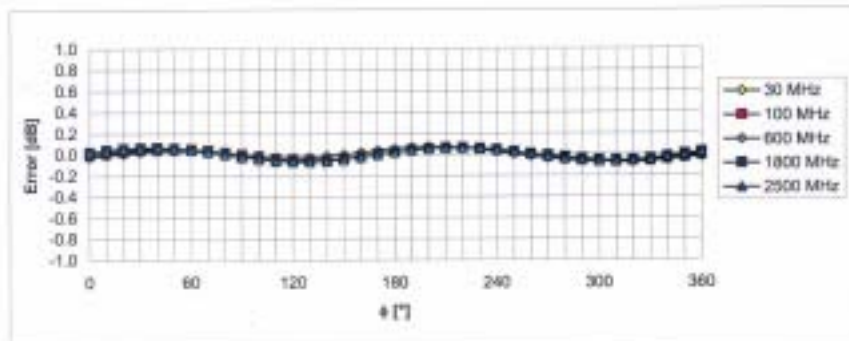
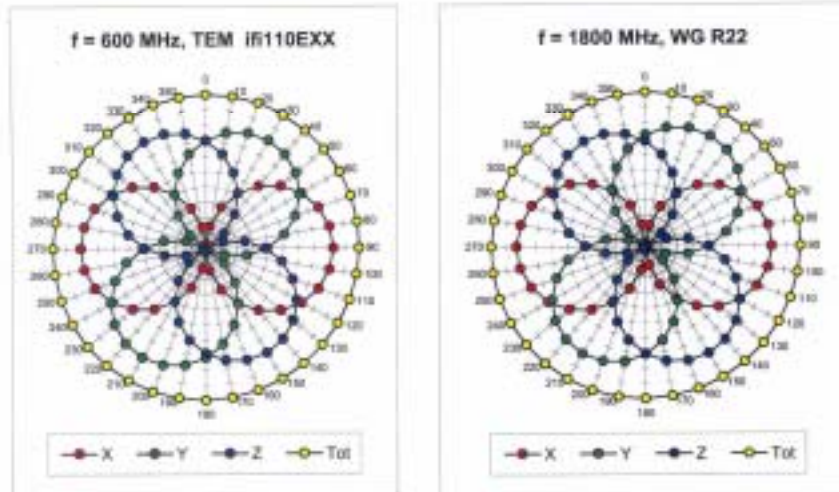


Uncertainty of Frequency Response of E-field: $\pm 6.3\%$ (k=2)

ES3DV3 SN:3088

December 12, 2006

Receiving Pattern (ϕ), $\theta = 0^\circ$

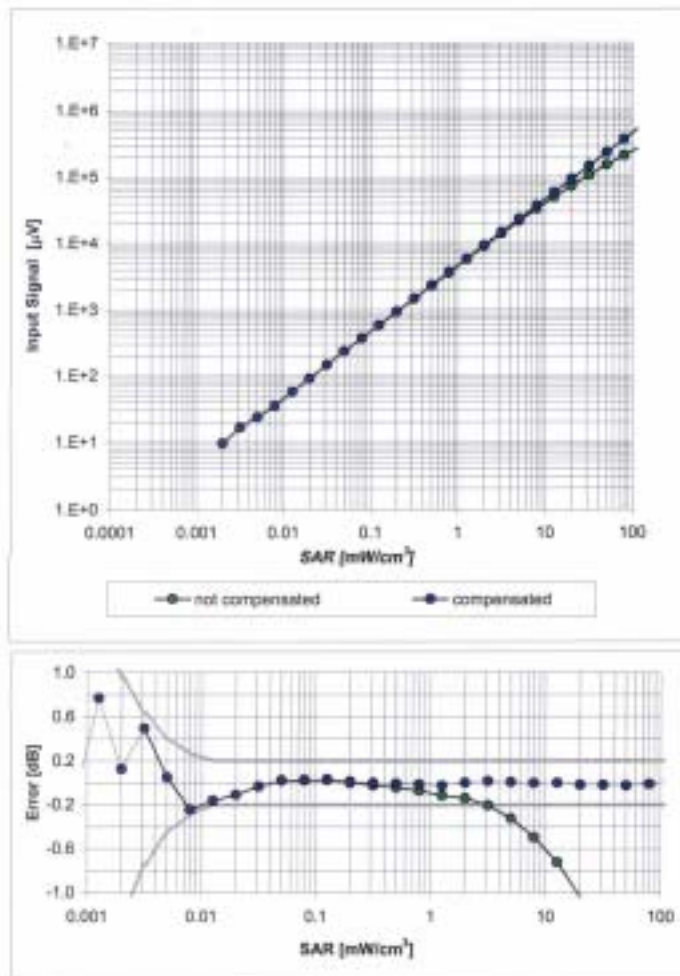


Uncertainty of Axial Isotropy Assessment: $\pm 0.5\%$ ($k=2$)

ES3DV3 SN:3088

December 12, 2006

Dynamic Range $f(SAR_{head})$ (Waveguide R22, $f = 1800$ MHz)

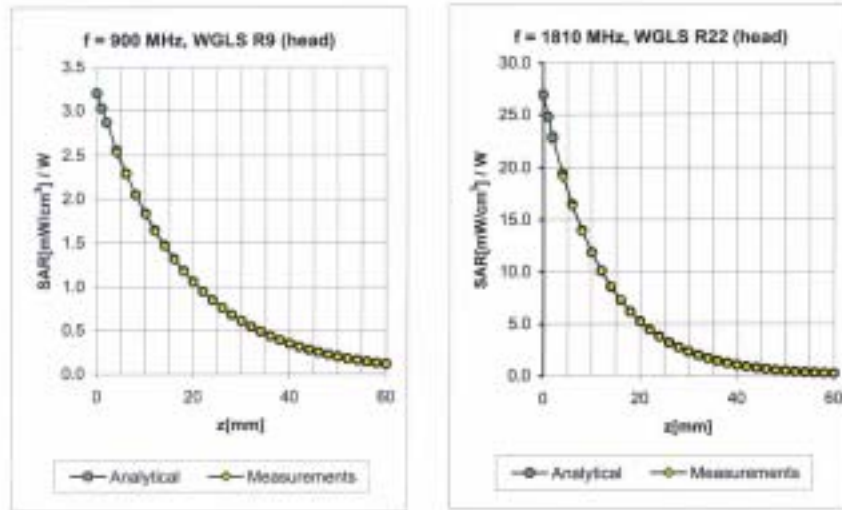


Uncertainty of Linearity Assessment: $\pm 0.6\%$ ($k=2$)

ES3DV3 SN:3088

December 12, 2006

Conversion Factor Assessment



f [MHz]	Validity [MHz] ²	TSL	Permittivity	Conductivity	Alpha	Depth	ConvF Uncertainty
900	± 50 / ± 100	Head	41.5 ± 5%	0.97 ± 5%	1.00	1.18	6.00 ± 11.0% (k=2)
1810	± 50 / ± 100	Head	40.0 ± 5%	1.40 ± 5%	0.73	1.39	5.07 ± 11.0% (k=2)
2000	± 50 / ± 100	Head	40.0 ± 5%	1.40 ± 5%	0.73	1.38	4.97 ± 11.0% (k=2)
2450	± 50 / ± 100	Head	39.2 ± 5%	1.80 ± 5%	0.74	1.36	4.89 ± 11.8% (k=2)
900	± 50 / ± 100	Body	55.0 ± 5%	1.05 ± 5%	1.00	1.17	5.92 ± 11.0% (k=2)
1810	± 50 / ± 100	Body	53.3 ± 5%	1.52 ± 5%	1.00	1.18	4.68 ± 11.0% (k=2)
2000	± 50 / ± 100	Body	53.3 ± 5%	1.52 ± 5%	0.89	1.27	4.51 ± 11.0% (k=2)
2450	± 50 / ± 100	Body	52.7 ± 5%	1.95 ± 5%	0.80	1.12	4.33 ± 11.8% (k=2)

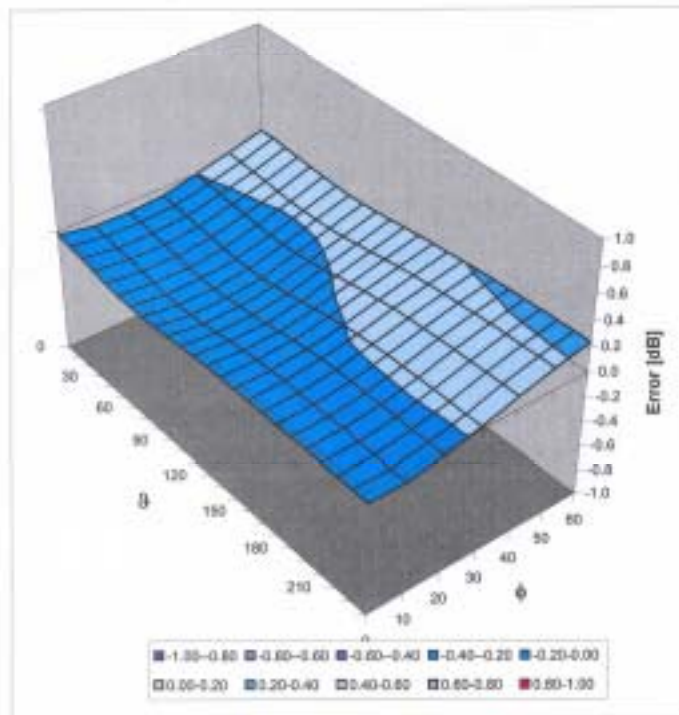
² The validity of ± 100 MHz only applies for DASY v4.4 and higher (see Page 2). The uncertainty is the RSS of the ConvF uncertainty at calibration frequency and the uncertainty for the indicated frequency band.

ES3DV3 SN:3088

December 12, 2006

Deviation from Isotropy in HSL

Error (ϕ , θ), $f = 900$ MHz



Uncertainty of Spherical Isotropy Assessment: $\pm 2.6\%$ ($k=2$)

6. DAE Calibration certification

Calibration Laboratory of
Schmid & Partner
Engineering AG
Zaughausstrasse 43, 8004 Zurich, Switzerland



S Schweizerischer Kalibrierdienst
C Service suisse d'étalonnage
S Servizio svizzero di taratura
S Swiss Calibration Service

Accredited by the Swiss Federal Office of Metrology and Accreditation
The Swiss Accreditation Service is one of the signatories to the EA
Multilateral Agreement for the recognition of calibration certificates

Accreditation No.: SCS 108

Client **SGS - CSTC (MTT)**

Certificate No: **DAE3-569_Dec06**

CALIBRATION CERTIFICATE

Object: **DAE3 - SD 000 D03 AA - SN: 569**

Calibration procedure(s): **QA CAL-06.v12
Calibration procedure for the data acquisition electronics (DAE)**

Calibration date: **December 8, 2006**

Condition of the calibrated item: **In Tolerance**

This calibration certificate documents the traceability to national standards, which realize the physical units of measurements (SI).
The measurements and the uncertainties with confidence probability are given on the following pages and are part of the certificate.

All calibrations have been conducted in the closed laboratory facility: environment temperature (22 ± 3)°C and humidity < 70%.

Calibration Equipment used (W&E critical for calibration)

Primary Standards	ID #	Cal Date (Calibrated by, Certificate No.)	Scheduled Calibration
Fluke Process Calibrator Type 702	SN: 6296803	13-Oct-06 (Eikal AG, No: 5402)	Oct-07
Kethley Multimeter Type 2001	SN: 0610278	03-Oct-06 (Eikal AG, No: 5478)	Oct-07
Secondary Standards	ID #	Check Date (in house)	Scheduled Check
Calibrator Box V1.1	SE UMS 006 AB 1002	15-Jun-06 (SPEAG, in house check)	In house check Jun-07

Calibrated by:	Name Stefano Giannotta	Function Technician	Signature
Approved by:	Name Fin Borshoff	Function R&D Director	Signature

Issued: December 8, 2006

This calibration certificate shall not be reproduced except in full without written approval of the laboratory.

Calibration Laboratory of
Schmid & Partner
Engineering AG
Zeughausstrasse 43, 8204 Zurich, Switzerland



S Schweizerischer Kalibrierdienst
C Service suisse d'étalonnage
S Servizio svizzero di taratura
S Swiss Calibration Service

Accreditation No.: SCS 108

Accredited by the Swiss Federal Office of Metrology and Accreditation
The Swiss Accreditation Service is one of the signatories to the EA
Multilateral Agreement for the recognition of calibration certificates

Glossary

DAE data acquisition electronics
Connector angle information used in DASY system to align probe sensor X to the robot coordinate system.

Methods Applied and Interpretation of Parameters

- *DC Voltage Measurement*: Calibration Factor assessed for use in DASY system by comparison with a calibrated instrument traceable to national standards. The figure given corresponds to the full scale range of the voltmeter in the respective range.
- *Connector angle*: The angle of the connector is assessed measuring the angle mechanically by a tool inserted. Uncertainty is not required.
- The following parameters contain technical information as a result from the performance test and require no uncertainty.
- *DC Voltage Measurement Linearity*: Verification of the Linearity at +10% and -10% of the nominal calibration voltage. Influence of offset voltage is included in this measurement.
- *Common mode sensitivity*: Influence of a positive or negative common mode voltage on the differential measurement.
- *Channel separation*: Influence of a voltage on the neighbor channels not subject to an input voltage.
- *AD Converter Values with inputs shorted*: Values on the internal AD converter corresponding to zero input voltage
- *Input Offset Measurement*: Output voltage and statistical results over a large number of zero voltage measurements.
- *Input Offset Current*: Typical value for information; Maximum channel input offset current, not considering the input resistance.
- *Input resistance*: DAE input resistance at the connector, during internal auto-zeroing and during measurement.
- *Low Battery Alarm Voltage*: Typical value for information. Below this voltage, a battery alarm signal is generated.
- *Power consumption*: Typical value for information. Supply currents in various operating modes.

DC Voltage Measurement

A/D - Converter Resolution nominal

High Range: 1LSB = 6.1µV, full range = -100...+300 mV

Low Range: 1LSB = 61nV, full range = -1.....+3mV

DASY measurement parameters: Auto Zero Time: 3 sec; Measuring time: 3 sec

Calibration Factors	X	Y	Z
High Range	404.742 ± 0.1% (k=2)	404.327 ± 0.1% (k=2)	404.103 ± 0.1% (k=2)
Low Range	3.93547 ± 0.7% (k=2)	3.93513 ± 0.7% (k=2)	3.93385 ± 0.7% (k=2)

Connector Angle

Connector Angle to be used in DASY system	80° ± 1°
---	----------

Appendix

1. DC Voltage Linearity

High Range	Input (μV)	Reading (μV)	Error (%)
Channel X + Input	200000	199999.9	0.00
Channel X + Input	20000	20002.27	0.01
Channel X - Input	20000	-19996.87	-0.01
Channel Y + Input	200000	200000.1	0.00
Channel Y + Input	20000	19999.20	0.00
Channel Y - Input	20000	-20003.47	0.02
Channel Z + Input	200000	200000.0	0.00
Channel Z + Input	20000	20001.01	0.01
Channel Z - Input	20000	-20001.46	0.01

Low Range	Input (μV)	Reading (μV)	Error (%)
Channel X + Input	2000	1999.9	0.00
Channel X + Input	200	199.91	-0.05
Channel X - Input	200	-200.86	0.43
Channel Y + Input	2000	1999.9	0.00
Channel Y + Input	200	199.35	-0.32
Channel Y - Input	200	-200.57	0.28
Channel Z + Input	2000	2000.1	0.00
Channel Z + Input	200	200.37	0.19
Channel Z - Input	200	-201.04	0.52

2. Common mode sensitivity

DASY measurement parameters: Auto Zero Time: 3 sec; Measuring time: 3 sec

	Common mode Input Voltage (mV)	High Range Average Reading (μV)	Low Range Average Reading (μV)
Channel X	200	-6.08	-11.00
	-200	8.46	12.92
Channel Y	200	6.85	6.78
	-200	-8.07	-8.07
Channel Z	200	-5.10	-5.69
	-200	4.40	3.64

3. Channel separation

DASY measurement parameters: Auto Zero Time: 3 sec; Measuring time: 3 sec

	Input Voltage (mV)	Channel X (μV)	Channel Y (μV)	Channel Z (μV)
Channel X	200	-	0.47	0.37
Channel Y	200	1.04	-	3.88
Channel Z	200	-1.66	0.07	-

4. AD-Converter Values with inputs shorted

DASY measurement parameters: Auto Zero Time: 3 sec; Measuring time: 3 sec

	High Range (LSB)	Low Range (LSB)
Channel X	18395	15608
Channel Y	15744	18385
Channel Z	18312	18081

5. Input Offset Measurement

DASY measurement parameters: Auto Zero Time: 3 sec; Measuring time: 3 sec

Input 10M Ω

	Average (μ V)	min. Offset (μ V)	max. Offset (μ V)	Std. Deviation (μ V)
Channel X	0.16	-0.70	1.24	0.30
Channel Y	-1.80	-2.48	-0.86	0.32
Channel Z	-0.29	-1.19	0.92	0.39

6. Input Offset Current

Nominal input circuitry offset current on all channels: <25nA

7. Input Resistance

	Zeroing (M Ω m)	Measuring (M Ω m)
Channel X	200.2	0.2001
Channel Y	204.0	0.2001
Channel Z	205.8	0.2000

8. Low Battery Alarm Voltage (verified during pre test)

Typical values	Alarm Level (VDC)
Supply (+ Vcc)	+7.9
Supply (- Vcc)	-7.6

9. Power Consumption (verified during pre test)

Typical values	Switched off (mA)	Stand by (mA)	Transmitting (mA)
Supply (+ Vcc)	+0.0	+6	+14
Supply (- Vcc)	-0.01	-8	-9

7. Dipole Calibration certification

Calibration Laboratory of
Schmid & Partner
Engineering AG
Zaughausstrasse 43, 8004 Zurich, Switzerland



S Schweizerischer Kalibrierdienst
C Service suisse d'étalonnage
S Servizio svizzero di taratura
S Swiss Calibration Service

Accredited by the Swiss Federal Office of Metrology and Accreditation
The Swiss Accreditation Service is one of the signatories to the EA
Multilateral Agreement for the recognition of calibration certificates

Accreditation No.: SCS 108

Client: SGS-CSTC (MTT)

Certificate No: D900V2-184_Dec06

CALIBRATION CERTIFICATE			
Object	D900V2 - SN: 184		
Calibration procedure(s)	QA CAL-05.v6 Calibration procedure for dipole validation kits		
Calibration date:	December 6, 2006		
Condition of the calibrated item	In Tolerance		
<p>This calibration certificate documents the traceability to national standards, which realize the physical units of measurements (SI). The measurements and the uncertainties with confidence probability are given on the following pages and are part of the certificate.</p> <p>All calibrations have been conducted in the closed laboratory facility: environment temperature (22 ± 3)°C and humidity < 70%.</p> <p>Calibration Equipment used (MATE critical for calibration)</p>			
Primary Standards	ID #	Cal Date (Calibrated by, Certificate No.)	Scheduled Calibration
Power meter EPM-442A	GB374807D4	03-Oct-06 (METAS, No. 217-00008)	Oct-07
Power sensor HP 8481A	US37292783	03-Oct-06 (METAS, No. 217-00836)	Oct-07
Reference 20 dB Attenuator	SN: 5086 (20g)	10-Aug-06 (METAS, No. 217-00991)	Aug-07
Reference 10 dB Attenuator	SN: 5047.2 (10g)	10-Aug-06 (METAS, No. 217-00991)	Aug-07
Reference Probe ET3DV6 (HF)	SN 1507	19-Oct-06 (SPEAG, No. ET3-1907_Oct06)	Oct-07
DAE4	SN 601	15-Dec-05 (SPEAG, No. DAE4-601_Dec05)	Dec-06
Secondary Standards	ID #	Check Date (in house)	Scheduled Check
Power sensor HP 8481A	MY41032317	16-Oct-02 (SPEAG, in house check Oct-05)	In house check: Oct-07
RF generator Agilent E4421B	MY41000675	11-May-03 (SPEAG, in house check Nov-05)	In house check: Nov-07
Network Analyzer HP 8753E	US37260583 S4206	16-Oct-01 (SPEAG, in house check Oct-06)	In house check: Oct-07
Calibrated by:	Name Claudio Leubler	Function Laboratory Technician	Signature
Approved by:	Name Kajsa Pokovic	Function Technical Manager	Signature
			Issued: December 6, 2006
This calibration certificate shall not be reproduced except in full without written approval of the laboratory.			

**Calibration Laboratory of
Schmid & Partner
Engineering AG**
Zeughausstrasse 43, 8004 Zurich, Switzerland



S Schweizerischer Kalibrierdienst
C Service suisse d'étalonnage
S Servizio svizzero di taratura
S Swiss Calibration Service

Accredited by the Swiss Federal Office of Metrology and Accreditation
The Swiss Accreditation Service is one of the signatories to the EA
Multilateral Agreement for the recognition of calibration certificates

Accreditation No.: **SCS 108**

Glossary:

TSL tissue simulating liquid
ConvF sensitivity in TSL / NORM x,y,z
N/A not applicable or not measured

Calibration is Performed According to the Following Standards:

- IEEE Std 1528-2003, "IEEE Recommended Practice for Determining the Peak Spatial-Averaged Specific Absorption Rate (SAR) in the Human Head from Wireless Communications Devices: Measurement Techniques", December 2003
- CENELEC EN 50361, "Basic standard for the measurement of Specific Absorption Rate related to human exposure to electromagnetic fields from mobile phones (300 MHz - 3 GHz), July 2001
- Federal Communications Commission Office of Engineering & Technology (FCC OET), "Evaluating Compliance with FCC Guidelines for Human Exposure to Radiofrequency Electromagnetic Fields; Additional Information for Evaluating Compliance of Mobile and Portable Devices with FCC Limits for Human Exposure to Radiofrequency Emissions", Supplement C (Edition 01-01) to Bulletin 65

Additional Documentation:

- DASY4 System Handbook

Methods Applied and Interpretation of Parameters:

- Measurement Conditions:** Further details are available from the Validation Report at the end of the certificate. All figures stated in the certificate are valid at the frequency indicated.
- Antenna Parameters with TSL:** The dipole is mounted with the spacer to position its feed point exactly below the center marking of the flat phantom section, with the arms oriented parallel to the body axis.
- Feed Point Impedance and Return Loss:** These parameters are measured with the dipole positioned under the liquid filled phantom. The impedance stated is transformed from the measurement at the SMA connector to the feed point. The Return Loss ensures low reflected power. No uncertainty required.
- Electrical Delay:** One-way delay between the SMA connector and the antenna feed point. No uncertainty required.
- SAR measured:** SAR measured at the stated antenna input power.
- SAR normalized:** SAR as measured, normalized to an input power of 1 W at the antenna connector.
- SAR for nominal TSL parameters:** The measured TSL parameters are used to calculate the nominal SAR result.

Measurement Conditions

DASY system configuration, as far as not given on page 1.

DASY Version	DASY4	V4.7
Extrapolation	Advanced Extrapolation	
Phantom	Modular Flat Phantom V4.9	
Distance Dipole Center - TSL	15 mm	with Spacer
Zoom Scan Resolution	dx, dy, dz = 5 mm	
Frequency	900 MHz \pm 1 MHz	

Head TSL parameters

The following parameters and calculations were applied.

	Temperature	Permittivity	Conductivity
Nominal Head TSL parameters	22.0 °C	41.5	0.97 mho/m
Measured Head TSL parameters	(22.0 \pm 0.2) °C	40.8 \pm 6 %	0.97 mho/m \pm 6 %
Head TSL temperature during test	(21.7 \pm 0.2) °C	---	---

SAR result with Head TSL

SAR averaged over 1 cm ³ (1 g) of Head TSL	Condition	
SAR measured	250 mW input power	2.72 mW / g
SAR normalized	normalized to 1W	10.9 mW / g
SAR for nominal Head TSL parameters ¹	normalized to 1W	10.8 mW / g \pm 17.0 % (k=2)

SAR averaged over 10 cm ³ (10 g) of Head TSL	condition	
SAR measured	250 mW input power	1.75 mW / g
SAR normalized	normalized to 1W	7.00 mW / g
SAR for nominal Head TSL parameters ¹	normalized to 1W	6.95 mW / g \pm 16.5 % (k=2)

¹ Correction to nominal TSL parameters according to d), chapter "SAR Sensitivities"

Body TSL parameters

The following parameters and calculations were applied.

	Temperature	Permittivity	Conductivity
Nominal Body TSL parameters	22.0 °C	55.0	1.05 mho/m
Measured Body TSL parameters	(22.0 ± 0.2) °C	53.4 ± 6 %	1.05 mho/m ± 6 %
Body TSL temperature during test	(21.6 ± 0.2) °C	—	—

SAR result with Body TSL

SAR averaged over 1 cm ³ (1 g) of Body TSL	condition	
SAR measured	250 mW input power	2.75 mW / g
SAR normalized	normalized to 1W	11.0 mW / g
SAR for nominal Body TSL parameters ²	normalized to 1W	10.8 mW / g ± 17.0 % (k=2)

SAR averaged over 10 cm ³ (10 g) of Body TSL	condition	
SAR measured	250 mW input power	1.79 mW / g
SAR normalized	normalized to 1W	7.16 mW / g
SAR for nominal Body TSL parameters ²	normalized to 1W	7.05 mW / g ± 16.5 % (k=2)

² Correction to nominal TSL parameters according to d), chapter "SAR Sensitivities"

Appendix

Antenna Parameters with Head TSL

Impedance, transformed to feed point	50.8 Ω - 6.2 j Ω
Return Loss	- 24.2 dB

Antenna Parameters with Body TSL

Impedance, transformed to feed point	46.7 Ω - 8.3 j Ω
Return Loss	- 20.7 dB

General Antenna Parameters and Design

Electrical Delay (one direction)	1.411 ns
----------------------------------	----------

After long term use with 100W radiated power, only a slight warming of the dipole near the feedpoint can be measured.

The dipole is made of standard semirigid coaxial cable. The center conductor of the feeding line is directly connected to the second arm of the dipole. The antenna is therefore short-circuited for DC-signals.

No excessive force must be applied to the dipole arms, because they might bend or the soldered connections near the feedpoint may be damaged.

Additional EUT Data

Manufactured by	SPEAG
Manufactured on	April 01, 2003

DASY4 Validation Report for Head TSL

Date/Time: 05.12.2006 17:14:04

Test Laboratory: SPEAG, Zurich, Switzerland

DUT: Dipole 900 MHz; Type: D900V2; Serial: D900V2 - SN:184

Communication System: CW; Frequency: 900 MHz; Duty Cycle: 1:1

Medium: HSL 900 MHz;

Medium parameters used: $f = 900$ MHz; $\sigma = 0.969$ mho/m; $\epsilon_r = 40.7$; $\rho = 1000$ kg/m³

Phantom section: Flat Section

Measurement Standard: DASY4 (High Precision Assessment)

DASY4 Configuration:

- Probe: ET3DV6 - SN1507 (HF); ConvF(6.01, 6.01, 6.01); Calibrated: 19.10.2006
- Sense-Surface: 4mm (Mechanical Surface Detection)
- Electronics: DAE4 Sn601; Calibrated: 15.12.2005
- Phantom: Flat Phantom 4.9L; Type: QD00P49AA; ;
- Measurement SW: DASY4, V4.7 Build 46; Postprocessing SW: SEMCAD, V1.8 Build 171

Pin = 250 mW; d = 15 mm/Zoom Scan (7x7x7)/Cube 0:

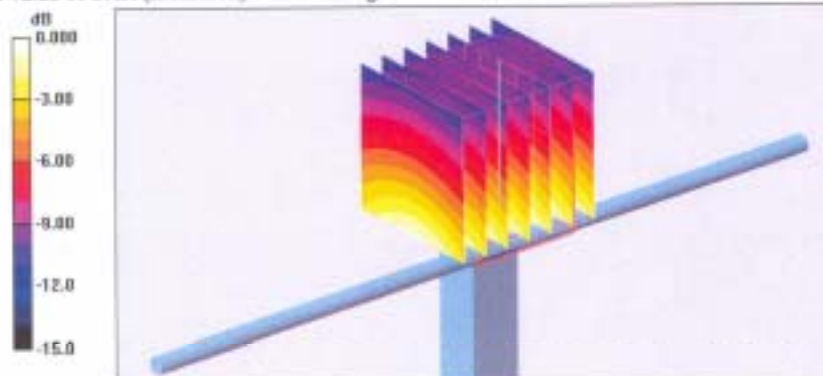
Measurement grid: dx=5mm, dy=5mm, dz=5mm

Reference Value = 57.4 V/m; Power Drift = -0.013 dB

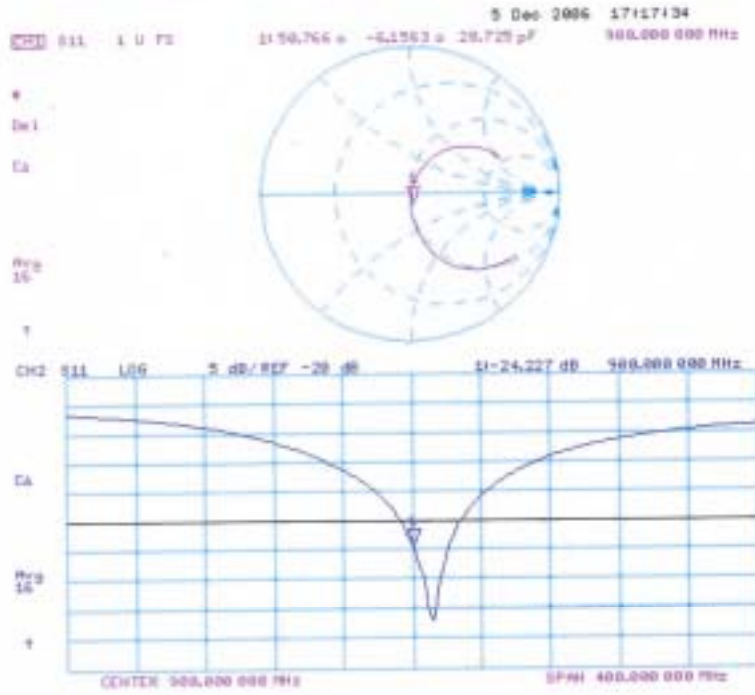
Peak SAR (extrapolated) = 4.01 W/kg

SAR(1 g) = 2.72 mW/g; SAR(10 g) = 1.75 mW/g

Maximum value of SAR (measured) = 2.96 mW/g



Impedance Measurement Plot for Head TSL



DASY4 Validation Report for Body TSL

Date/Time: 06.12.2006 15:53:38

Test Laboratory: SPEAG, Zurich, Switzerland

DUT: Dipole 900 MHz; Type: D900V2; Serial: D900V2 - SN:184

Communication System: CW; Frequency: 900 MHz; Duty Cycle: 1:1

Medium: MSL900;

Medium parameters used: $f = 900$ MHz; $\sigma = 1.05$ mho/m; $\epsilon_r = 53.4$; $\rho = 1000$ kg/m³

Phantom section: Flat Section

Measurement Standard: DASY4 (High Precision Assessment)

DASY4 Configuration:

- Probe: ET3DV6 - SN1507 (HF); ConvF(5.8, 5.8, 5.8); Calibrated: 19.10.2006
- Sensor-Surface: 4mm (Mechanical Surface Detection)
- Electronics: DAE4 S601; Calibrated: 15.12.2005
- Phantom: Flat Phantom 4.9L; Type: QD000P49AA; ;
- Measurement SW: DASY4, V4.7 Build 46; Postprocessing SW: SEMCAD, V1.8 Build 171

Pin = 250 mW; d = 15 mm/Zoom Scan (7x7x7)/Cube 0:

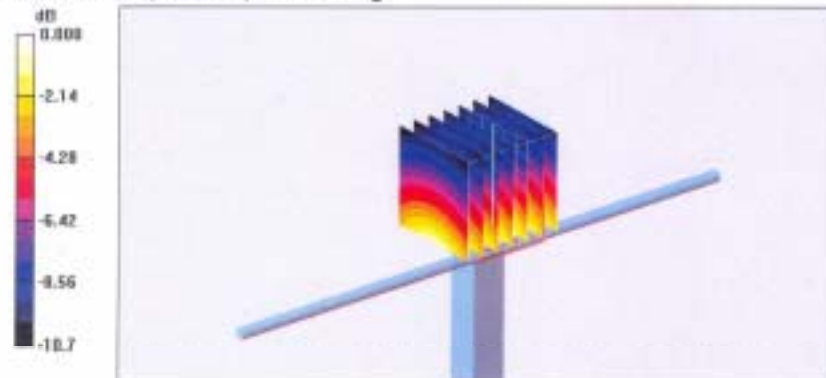
Measurement grid: dx=5mm, dy=5mm, dz=5mm

Reference Value = 56.1 V/m; Power Drift = 0.006 dB

Peak SAR (extrapolated) = 3.89 W/kg

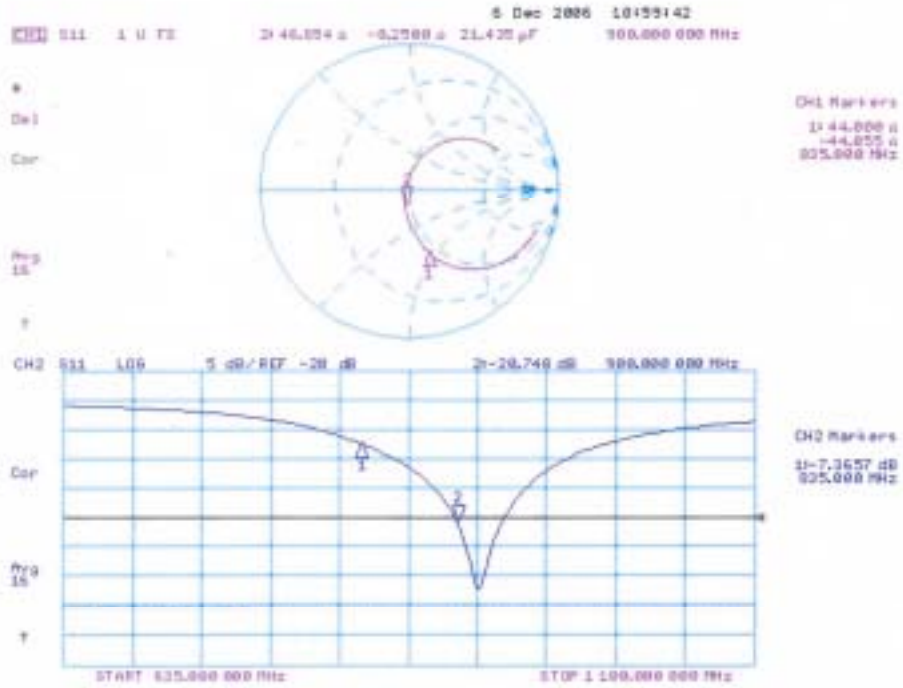
SAR(1 g) = 2.75 mW/g; SAR(10 g) = 1.79 mW/g

Maximum value of SAR (measured) = 3.00 mW/g

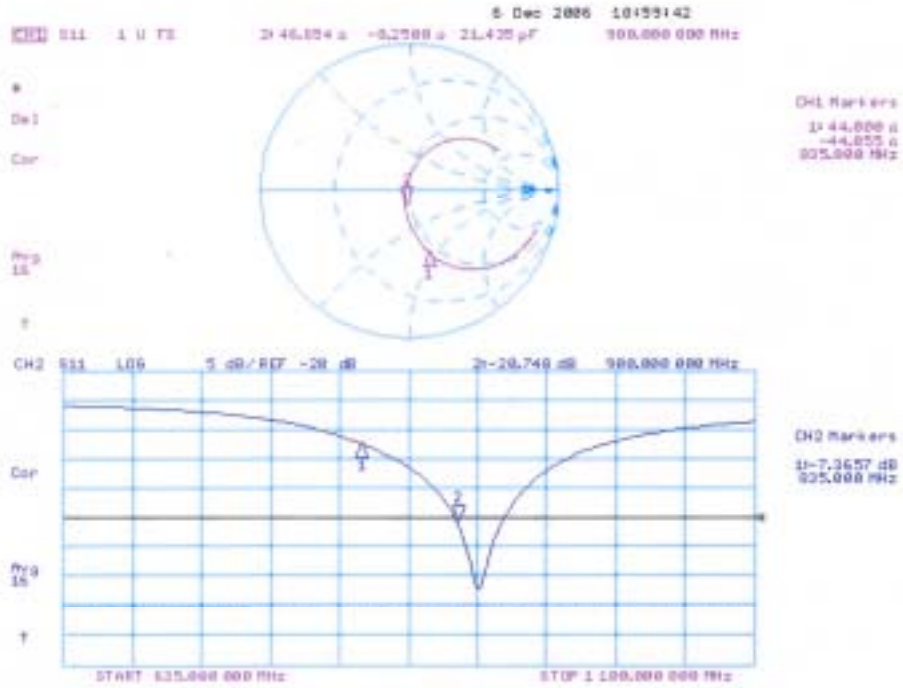


0 dB = 3.00mW/g

Impedance Measurement Plot for Body TSL



Impedance Measurement Plot for Body TSL



Calibration Laboratory of
Schmid & Partner
Engineering AG
Zeughausstrasse 43, 8004 Zurich, Switzerland



S Schweizerischer Kalibriendienst
C Service suisse d'étalonnage
S Servizio svizzero di taratura
S Swiss Calibration Service

Accredited by the Swiss Federal Office of Metrology and Accreditation
The Swiss Accreditation Service is one of the signatories to the EA
Multilateral Agreement for the recognition of calibration certificates

Accreditation No.: SCS 108

Client SGS-CSTC (MTT)

Certificate No: D1900V2-5d028_Dec06

CALIBRATION CERTIFICATE

Object: D1900V2 - SN: 5d028

Calibration procedure(s): QA CAL-05.v6
Calibration procedure for dipole validation kits

Calibration date: December 12, 2006

Condition of the calibrated item: In Tolerance.

This calibration certificate documents the traceability to national standards, which realize the physical units of measurements (SI).
The measurements and the uncertainties with confidence probability are given on the following pages and are part of the certificate.

All calibrations have been conducted in the closed laboratory facility: environment temperature $(22 \pm 3)^\circ\text{C}$ and humidity $< 70\%$.

Calibration Equipment used (M&TE critical for calibration)

Primary Standards	ID #	Cal Date (Calibrated by, Certificate No.)	Scheduled Calibration
Power meter EPM-442A	0837460704	03-Oct-06 (METAS, No. 217-00608)	Oct-07
Power sensor HP 8481A	US37292783	03-Oct-06 (METAS, No. 217-00608)	Oct-07
Reference 20 dB Attenuator	SN: 5086 (20g)	10-Aug-06 (METAS, No. 217-00591)	Aug-07
Reference 10 dB Attenuator	SN: 5047.2 (10r)	10-Aug-06 (METAS, No. 217-00591)	Aug-07
Reference Probe ET3DV6	SN: 1507	19-Oct-06 (SPEAG, No. ET3-1507_Oct06)	Oct-07
Reference Probe ES3DV3	SN: 3025	19-Oct-06 (SPEAG, No. ES3-3025_Oct06)	Oct-07
DAE4	SN: 801	15-Dec-05 (SPEAG, No. DAE4-801_Dec05)	Dec-06
Secondary Standards	ID #	Check Date (in house)	Scheduled Check
Power sensor HP 8481A	MY41090317	18-Oct-02 (SPEAG, in house check Oct-05)	in house check: Oct-07
RF generator Agilent E4421B	MY41000675	11-May-05 (SPEAG, in house check Nov-05)	in house check: Nov-07
Network Analyzer HP 8753E	US37300565 84208	18-Oct-01 (SPEAG, in house check Oct-06)	in house check: Oct-07

	Name	Function	Signature
Calibrated by:	Mike Meil	Laboratory Technician	
Approved by:	Katja Pokovic	Technical Manager	

Issued: December 14, 2006

This calibration certificate shall not be reproduced except in full without written approval of the laboratory.

Calibration Laboratory of
Schmid & Partner
Engineering AG
Zeughausstrasse 43, 8004 Zurich, Switzerland



S Schweizerischer Kalibrierdienst
C Service suisse d'étalonnage
S Servizio svizzero di taratura
S Swiss Calibration Service

Accredited by the Swiss Federal Office of Metrology and Accreditation
The Swiss Accreditation Service is one of the signatories to the EA
Multilateral Agreement for the recognition of calibration certificates

Accreditation No.: SCS 108

Glossary:

TSL tissue simulating liquid
ConvF sensitivity in TSL / NORM x,y,z
N/A not applicable or not measured

Calibration is Performed According to the Following Standards:

- a) IEEE Std 1528-2003, "IEEE Recommended Practice for Determining the Peak Spatial-Averaged Specific Absorption Rate (SAR) in the Human Head from Wireless Communications Devices: Measurement Techniques", December 2003
- b) CENELEC EN 50361, "Basic standard for the measurement of Specific Absorption Rate related to human exposure to electromagnetic fields from mobile phones (300 MHz - 3 GHz), July 2001
- c) Federal Communications Commission Office of Engineering & Technology (FCC OET), "Evaluating Compliance with FCC Guidelines for Human Exposure to Radiofrequency Electromagnetic Fields; Additional Information for Evaluating Compliance of Mobile and Portable Devices with FCC Limits for Human Exposure to Radiofrequency Emissions", Supplement C (Edition 01-01) to Bulletin 65

Additional Documentation:

- d) DASY4 System Handbook

Methods Applied and Interpretation of Parameters:

- *Measurement Conditions:* Further details are available from the Validation Report at the end of the certificate. All figures stated in the certificate are valid at the frequency indicated.
- *Antenna Parameters with TSL:* The dipole is mounted with the spacer to position its feed point exactly below the center marking of the flat phantom section, with the arms oriented parallel to the body axis.
- *Feed Point Impedance and Return Loss:* These parameters are measured with the dipole positioned under the liquid filled phantom. The impedance stated is transformed from the measurement at the SMA connector to the feed point. The Return Loss ensures low reflected power. No uncertainty required.
- *Electrical Delay:* One-way delay between the SMA connector and the antenna feed point. No uncertainty required.
- *SAR measured:* SAR measured at the stated antenna input power.
- *SAR normalized:* SAR as measured, normalized to an input power of 1 W at the antenna connector.
- *SAR for nominal TSL parameters:* The measured TSL parameters are used to calculate the nominal SAR result.

Measurement Conditions

DASY system configuration, as far as not given on page 1.

DASY Version	DASY4	V4.7
Extrapolation	Advanced Extrapolation	
Phantom	Modular Flat Phantom V5.0	
Distance Dipole Center - TSL	10 mm	with Spacer
Area Scan Resolution	dx, dy = 15 mm	
Zoom Scan Resolution	dx, dy, dz = 5 mm	
Frequency	1900 MHz \pm 1 MHz	

Head TSL parameters

The following parameters and calculations were applied.

	Temperature	Permittivity	Conductivity
Nominal Head TSL parameters	22.0 °C	40.0	1.40 mho/m
Measured Head TSL parameters	(22.0 \pm 0.2) °C	38.4 \pm 6 %	1.40 mho/m \pm 6 %
Head TSL temperature during test	(21.2 \pm 0.2) °C	---	---

SAR result with Head TSL

SAR averaged over 1 cm ³ (1 g) of Head TSL	condition	
SAR measured	250 mW input power	9.36 mW / g
SAR normalized	normalized to 1W	37.4 mW / g
SAR for nominal Head TSL parameters ¹	normalized to 1W	36.6 mW / g \pm 17.0 % (k=2)

SAR averaged over 10 cm ³ (10 g) of Head TSL	Condition	
SAR measured	250 mW input power	4.96 mW / g
SAR normalized	normalized to 1W	19.6 mW / g
SAR for nominal Head TSL parameters ¹	normalized to 1W	19.5 mW / g \pm 16.5 % (k=2)

¹ Correction to nominal TSL parameters according to d), chapter "SAR Sensitivities"

Body TSL parameters

The following parameters and calculations were applied.

	Temperature	Permittivity	Conductivity
Nominal Body TSL parameters	22.0 °C	53.3	1.52 mho/m
Measured Body TSL parameters	(22.0 ± 0.2) °C	51.8 ± 6 %	1.54 mho/m ± 6 %
Body TSL temperature during test	(21.8 ± 0.2) °C	---	---

SAR result with Body TSL

SAR averaged over 1 cm ³ (1 g) of Body TSL	Condition	
SAR measured	250 mW input power	9.50 mW / g
SAR normalized	normalized to 1W	38.0 mW / g
SAR for nominal Body TSL parameters ²	normalized to 1W	37.0 mW / g ± 17.0 % (k=2)

SAR averaged over 10 cm ³ (10 g) of Body TSL	condition	
SAR measured	250 mW input power	5.05 mW / g
SAR normalized	normalized to 1W	20.2 mW / g
SAR for nominal Body TSL parameters ²	normalized to 1W	19.8 mW / g ± 16.5 % (k=2)

² Correction to nominal TSL parameters according to d), chapter "SAR Sensitivities"

Appendix

Antenna Parameters with Head TSL

Impedance, transformed to feed point	54.8 Ω + 4.5 j Ω
Return Loss	- 24.1 dB

Antenna Parameters with Body TSL

Impedance, transformed to feed point	51.2 Ω + 6.6 j Ω
Return Loss	- 23.6 dB

General Antenna Parameters and Design

Electrical Delay (one direction)	1.197 ns
----------------------------------	----------

After long term use with 100W radiated power, only a slight warming of the dipole near the feedpoint can be measured.

The dipole is made of standard semirigid coaxial cable. The center conductor of the feeding line is directly connected to the second arm of the dipole. The antenna is therefore short-circuited for DC-signals. No excessive force must be applied to the dipole arms, because they might bend or the soldered connections near the feedpoint may be damaged.

Additional EUT Data

Manufactured by	SPEAG
Manufactured on	December 17, 2002

DASY4 Validation Report for Head TSL

Date/Time: 11.12.2006 18:50:48

Test Laboratory: SPEAG, Zurich, Switzerland

DUT: Dipole 1900 MHz; Type: D1900V2; Serial: D1900V2 - SN:5d028

Communication System: CW; Frequency: 1900 MHz; Duty Cycle: 1:1

Medium: HSL U10 BB;

Medium parameters used: $f = 1900$ MHz; $\sigma = 1.4$ mho/m; $\epsilon_r = 38.4$; $\rho = 1000$ kg/m³

Phantom section: Flat Section

Measurement Standard: DASY4 (High Precision Assessment)

DASY4 Configuration:

- Probe: ET3DV6 - SN1507 (HF); Const(4.97, 4.97, 4.97); Calibrated: 19.10.2006
- Sensor-Surface: 4mm (Mechanical Surface Detection)
- Electronics: DAE4 Sn601; Calibrated: 15.12.2005
- Phantom: Flat Phantom 5.0 (front); Type: QD000P50AA
- Measurement SW: DASY4, V4.7 Build 44; Postprocessing SW: SEMCAD, V1.8 Build 171

Pin = 250 mW; d = 10 mm/Area Scan (101x101x1):

Measurement grid: dx=10mm, dy=10mm

Maximum value of SAR (interpolated) = 10.6 mW/g

Pin = 250 mW; d = 10 mm/Zoom Scan (7x7x7)/Cube 0:

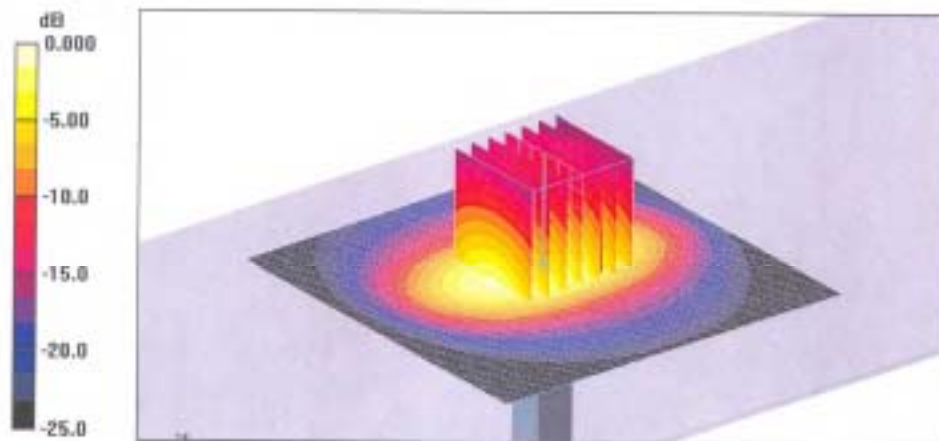
Measurement grid: dx=5mm, dy=5mm, dz=5mm

Reference Value = 86.6 V/m; Power Drift = 0.033 dB

Peak SAR (extrapolated) = 15.9 W/kg

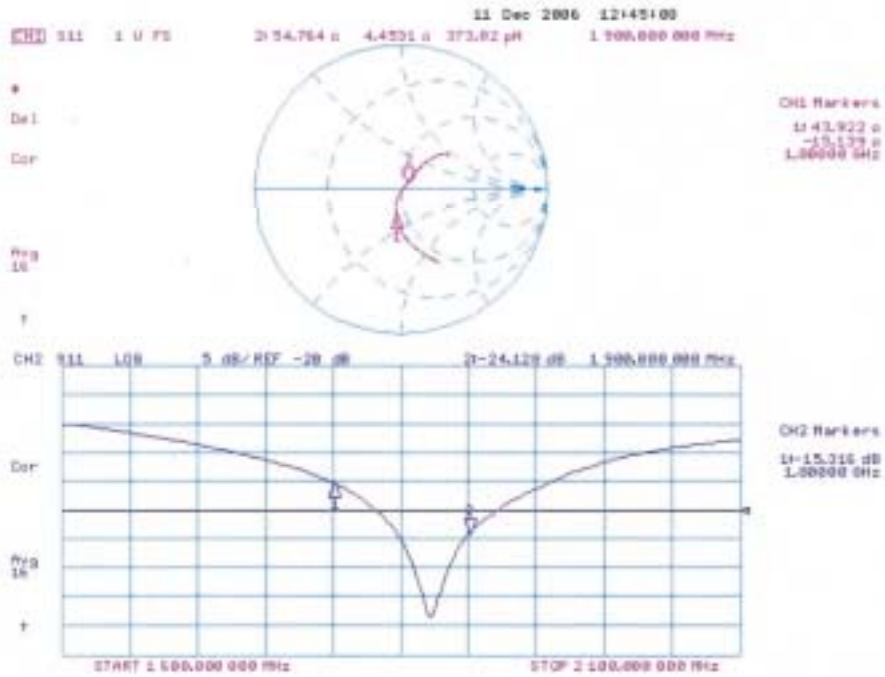
SAR(1 g) = 9.36 mW/g; SAR(10 g) = 4.96 mW/g

Maximum value of SAR (measured) = 10.6 mW/g



0 dB = 10.6mW/g

Impedance Measurement Plot for Head TSL



DASY4 Validation Report for Body TSL

Date/Time: 12.12.2006 16:43:40

Test Laboratory: SPEAG, Zurich, Switzerland

DUT: Dipole 1900 MHz; Type: D1900V2; Serial: D1900V2 - SN:5d028

Communication System: CW; Frequency: 1900 MHz; Duty Cycle: 1:1

Medium: MSL U10 BB;

Medium parameters used: $f = 1900$ MHz; $\sigma = 1.54$ mho/m; $\epsilon_r = 51.8$; $\rho = 1000$ kg/m³

Phantom section: Flat Section

Measurement Standard: DASY4 (High Precision Assessment)

DASY4 Configuration:

- Probe: ET3DV6 - SN1507 (HF); CoaxF(4.43, 4.43, 4.43); Calibrated: 19.10.2006
- Sensor-Surface: 4mm (Mechanical Surface Detection)
- Electronics: DAE4 Sa601; Calibrated: 15.12.2005
- Phantom: Flat Phantom 5.0 (front); Type: QD000P50AA
- Measurement SW: DASY4, V4.7 Build 44; Postprocessing SW: SEMCAD, V1.8 Build 171

Pin = 250 mW; d = 10 mm/Zoom Scan (7x7x7)/Cube 0:

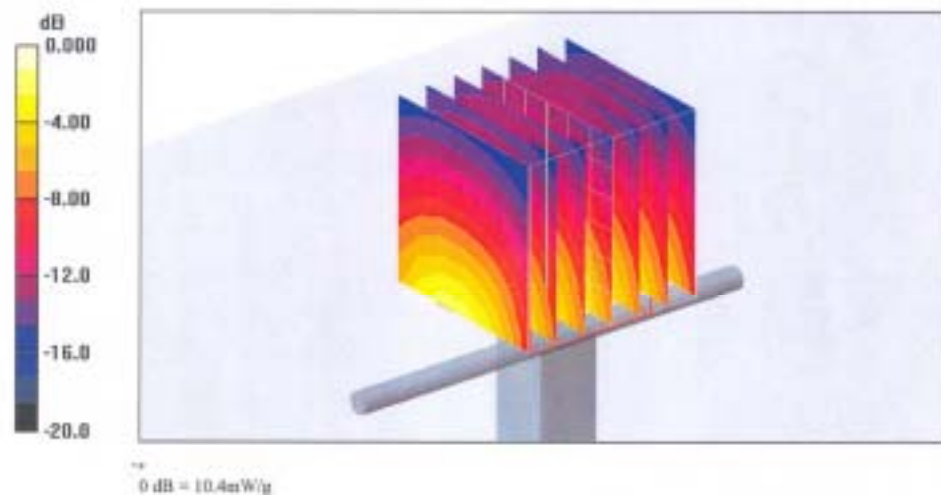
Measurement grid: dx=5mm, dy=5mm, dz=5mm

Reference Value = 89.1 V/m; Power Drift = 0.027 dB

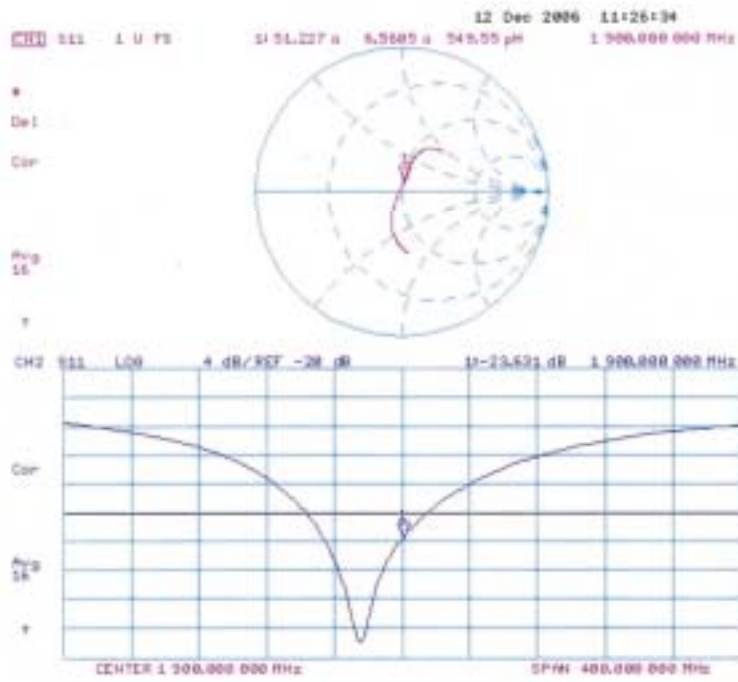
Peak SAR (extrapolated) = 16.2 W/kg

SAR(1 g) = 9.5 mW/g; SAR(10 g) = 5.05 mW/g

Maximum value of SAR (measured) = 10.4 mW/g



Impedance Measurement Plot for Body TSL



8. Uncertainty analysis

Error Description	Tol. (± %)	Prob. dist.	Div.	(c_1) (1g)	(c_2) (10g)	Std. unc. (± %)		(v_i)
Std. unc. (1g)		Std. unc. (10g)						
Measurement System								
Probe Calibration	4.8	N	1	1	1	4.8	4.8	∞
Axial Isotropy	4.7	R	$\sqrt{3}$	1	1	2.7	2.7	∞
Hemispherical Isotropy	0	R	$\sqrt{3}$	1	1	0	0	∞
Boundary Effects	1.0	R	$\sqrt{3}$	1	1	0.6	0.6	∞
Linearity	4.7	R	$\sqrt{3}$	1	1	2.7	2.7	∞
System Detection Limit	1.0	R	$\sqrt{3}$	1	1	0.6	0.6	∞
Readout Electronics	1.0	N	1	1	1	1.0	1.0	∞
Response Time	0	R	$\sqrt{3}$	1	1	0	0	∞
Integration Time	0	R	$\sqrt{3}$	1	1	0	0	∞
RF Ambient Conditions	3.0	R	$\sqrt{3}$	1	1	1.7	1.7	∞
Probe Positioner	0.4	R	$\sqrt{3}$	1	1	0.2	0.2	∞
Probe Positioning	2.9	R	$\sqrt{3}$	1	1	1.7	1.7	∞
Algorithms for Max. SAR Eval.	1.0	R	$\sqrt{3}$	1	1	0.6	0.6	∞
Dipole								
Dipole Axis to Liquid Distance	2.0	R	$\sqrt{3}$	1	1	1.2	1.2	∞
Input power and SAR drift meas.	4.7	R	$\sqrt{3}$	1	1	2.7	2.7	∞
Phantom and Tissue Param.								
Phantom Uncertainty	4.0	R	$\sqrt{3}$	1	1	2.3	2.3	∞
Liquid Conductivity (target)	5.0	R.	$\sqrt{3}$	0.64	0.43	1.8	1.2	∞
Liquid Conductivity (meas.)	2.5	N	1	0.64	0.43	1.6	1.1	∞
Liquid Permittivity (target)	5.0	R	$\sqrt{3}$	0.6	0.49	1.7	1.4	∞
Liquid Permittivity (meas.)	2.5	N	1	0.6	0.49	1.5	1.2	∞
Combined Standard Uncertainty						8.4	8.1	∞
Coverage Factor for 95%		kp=2						
Expanded Uncertainty						16.8	16.2	

Dasy4 Uncertainty Budget

9. Phantom description

Schmid & Partner Engineering AG

Zeughausstrasse 43, 8004 Zurich, Switzerland, Phone +41 1 245 97 00, Fax +41 1 245 97 79

Certificate of conformity / First Article Inspection

Item	SAM Twin Phantom V4.0
Type No	QD 000 P40 CA
Series No	TP-1150 and higher
Manufacturer / Origin	Unterseer Composites Hauptstr. 69 CH-8559 Fruttwilen Switzerland

Tests

The series production process used allows the limitation to test of first articles. Complete tests were made on the pre-series Type No. QD 000 P40 AA, Serial No. TP-1001 and on the series first article Type No. QD 000 P40 BA, Serial No. TP-1006. Certain parameters have been retested using further series units (called samples).

Test	Requirement	Details	Units tested
Shape	Compliance with the geometry according to the CAD model.	ITIS CAD File (*)	First article, Samples
Material thickness	Compliant with the requirements according to the standards	2mm +/- 0.2mm in specific areas	First article, Samples
Material parameters	Dielectric parameters for required frequencies	200 MHz - 3 GHz Relative permittivity < 5 Loss tangent < 0.05	Material sample TP-104-5
Material resistivity	The material has been tested to be compatible with the liquids defined in the standards	Liquid type HSL 1800 and others according to the standard.	Pre-series, First article

Standards

- [1] CENELEC EN 50361
- [2] IEEE P1528-200x draft 6.5
- [3] IEC PT 62209 draft 0.9
- (*) The ITIS CAD file is derived from [2] and is also within the tolerance requirements of the shapes of [1] and [3].

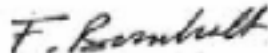
Conformity

Based on the sample tests above, we certify that this item is in compliance with the uncertainty requirements of SAR measurements specified in standard [1] and draft standards [2] and [3].

Date

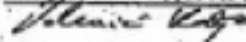
28.02.2002

Signature / Stamp



**Schmid & Partner
Engineering AG**

Zeughausstrasse 43, CH-8004 Zurich
Tel. +41 1 245 97 00, Fax +41 1 245 97 79



End of Report