
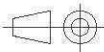


Colour text: White

Rev.	Date	Sign.	Description/Change
B	15.04.08	ES	Removed hyphen in IC format
A	12.03.08	TN	First version.

Material:			
Surface Treatment:		Scale:	
Approved:	Draft:	1 : 1	
	TN		
Date:			
	12.03.08		

Silcprint rear plate		Replaces draft:	Repl. by draft:
TR-810		G-84080	Sheet: 1 / 2
			Rev: B