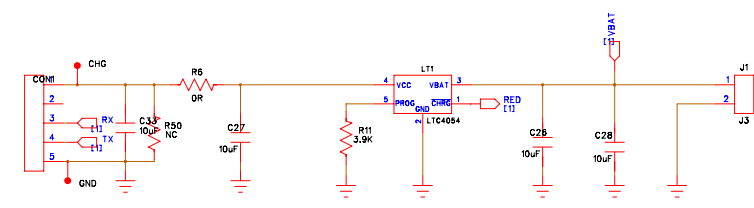
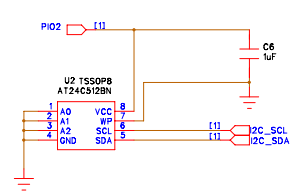
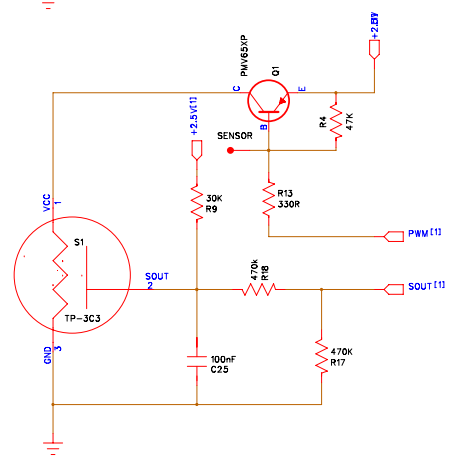
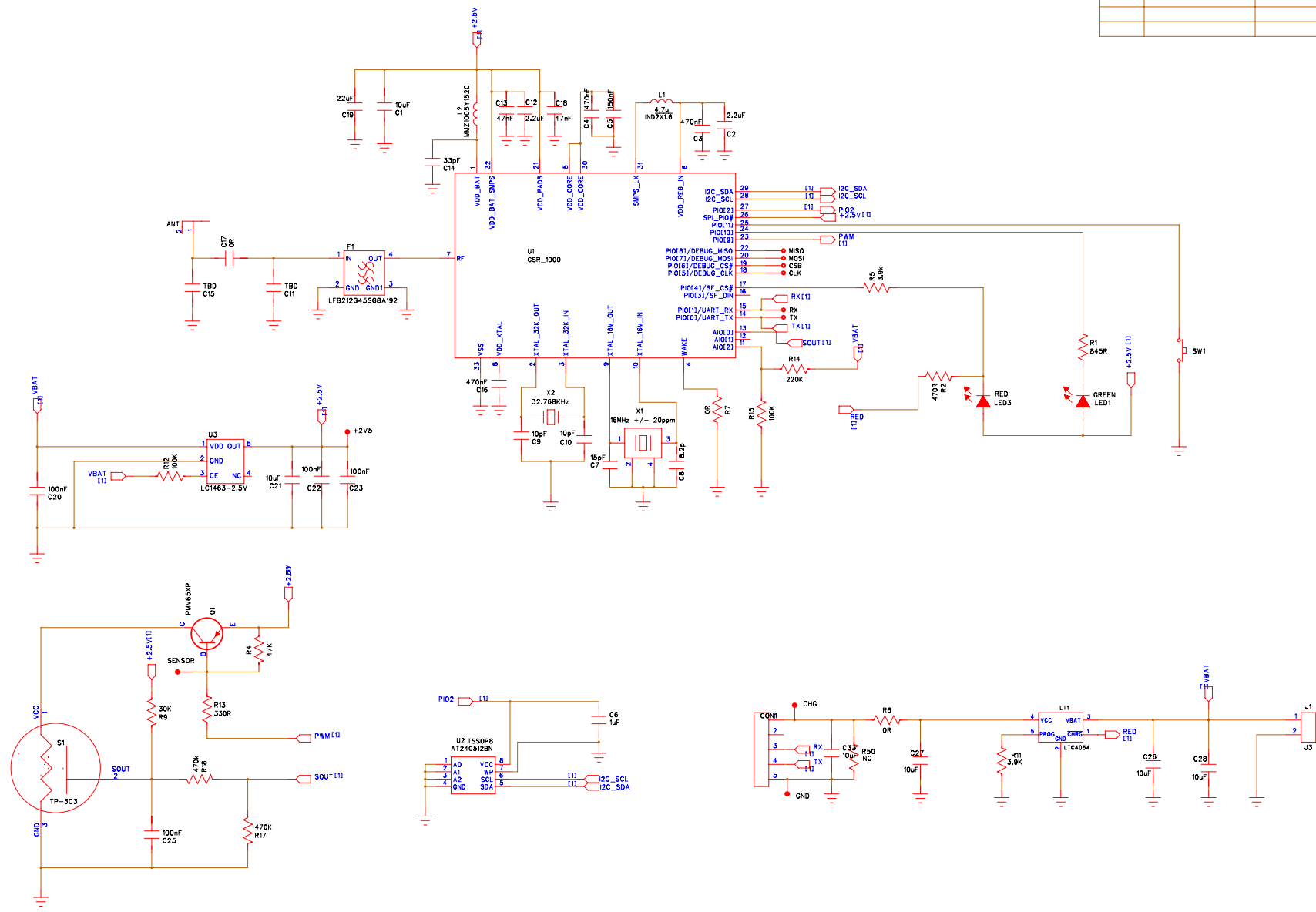



REVISION RECORD			
LTR	ECCO NO:	APPROVED:	DATE:



COMPANY:  SUNITEC ENTERPRISE CO.,LTD.			
TITLE: BABT-01-V0.4			
DRAWN: Cheng wei	DATED: 2013-11-30	File NO.: FHY-WD-08-03-393	REV: A/0
CHECKED:	DATED:	SHEET: 1 OF 1	SIZE: A2